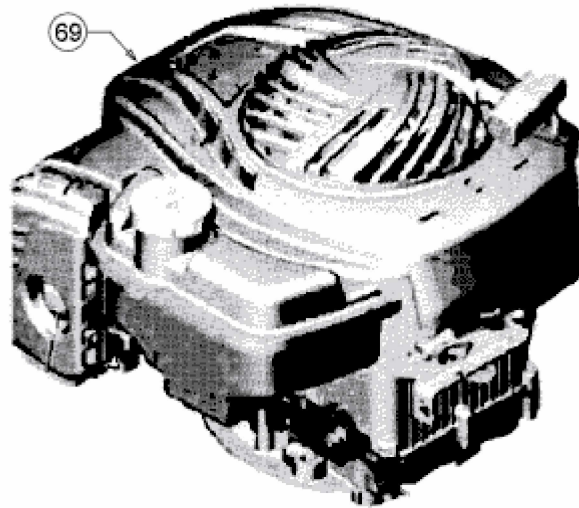


Briggs & Stratton



Model: 08P502  
Type: 0011-H1

E3-08586A-01