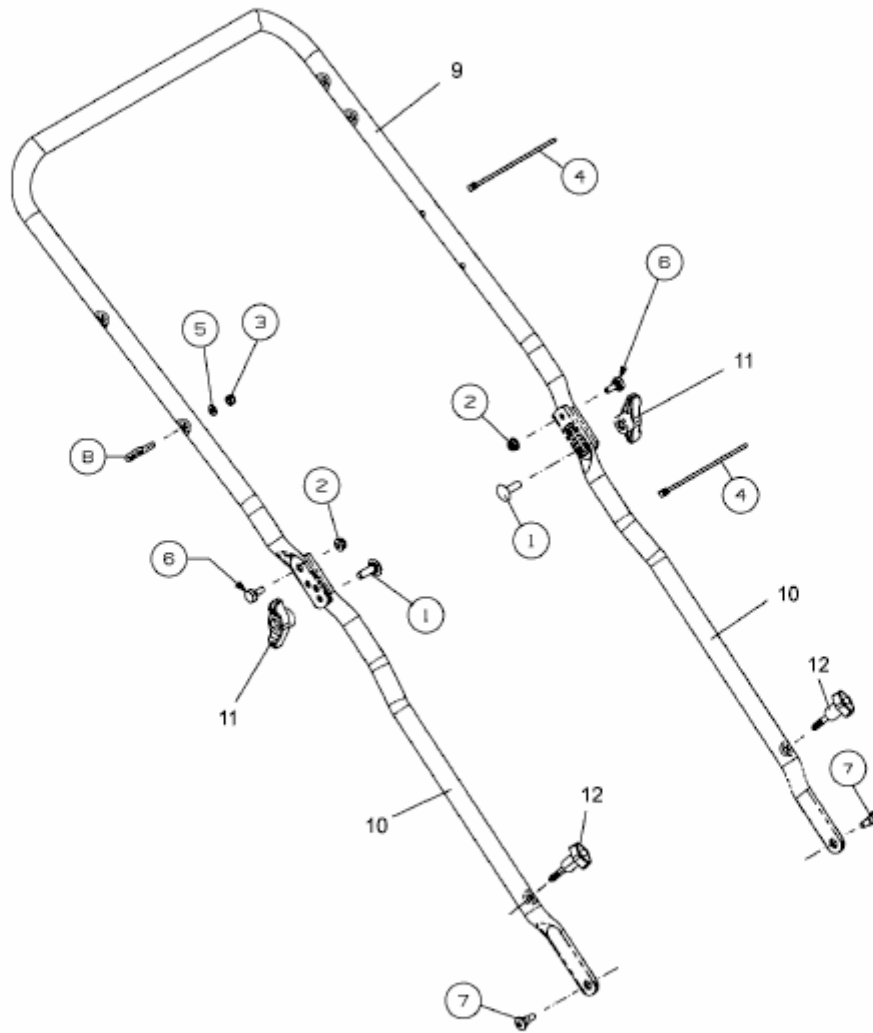


42 B > 11A-LA0G600 (2014) > HOLM



E3-03645A-01