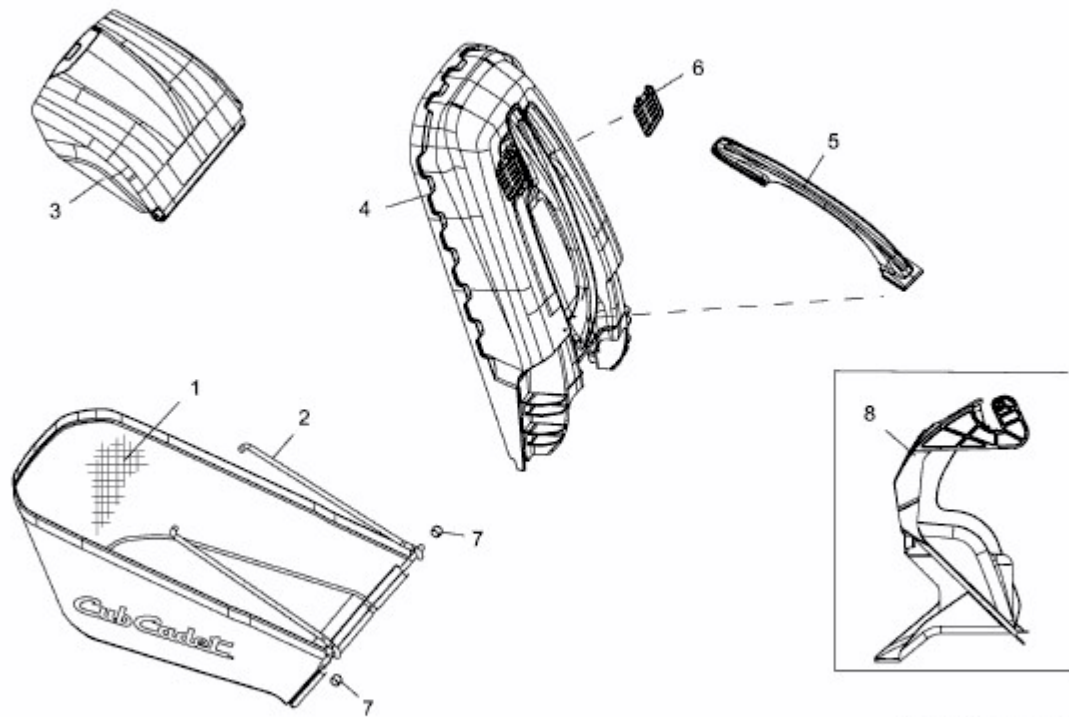


CC 46 PB > 11A-K15E603 (2013) > GRASFANGSACK



E3-07307A-01