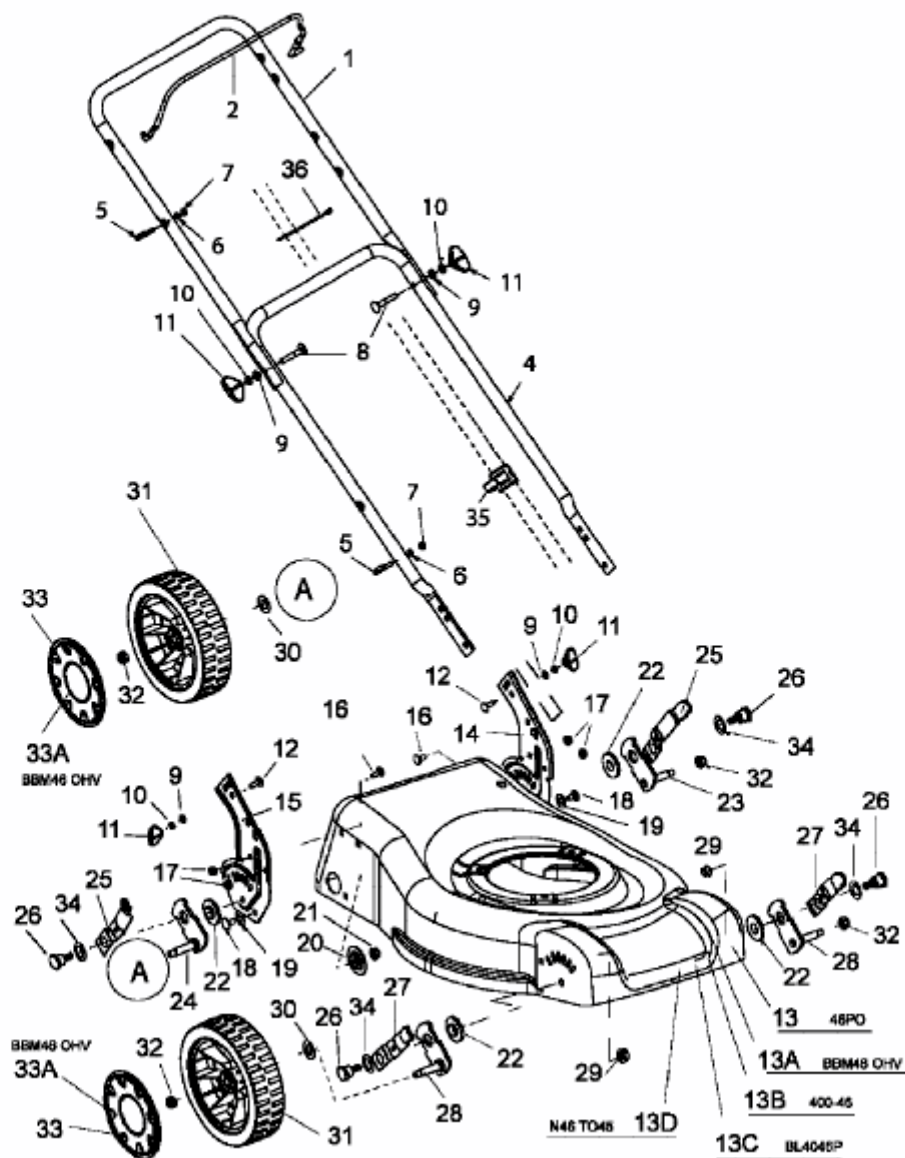


46 PO > 11A-J1MD604 (2006) > HOLM, RÄDER, SCHNITTHÖHENVERSTELLUNG

46 PO	11A-J1MD600	400-46	11A-J1MD621
46 PO	11A-J1MD604	BL 4046 P	11A-J1ME694
BBM 46 OHV	11A-J1MD619	N46 TO 45	11A-J1ME693



E3-02627A-01