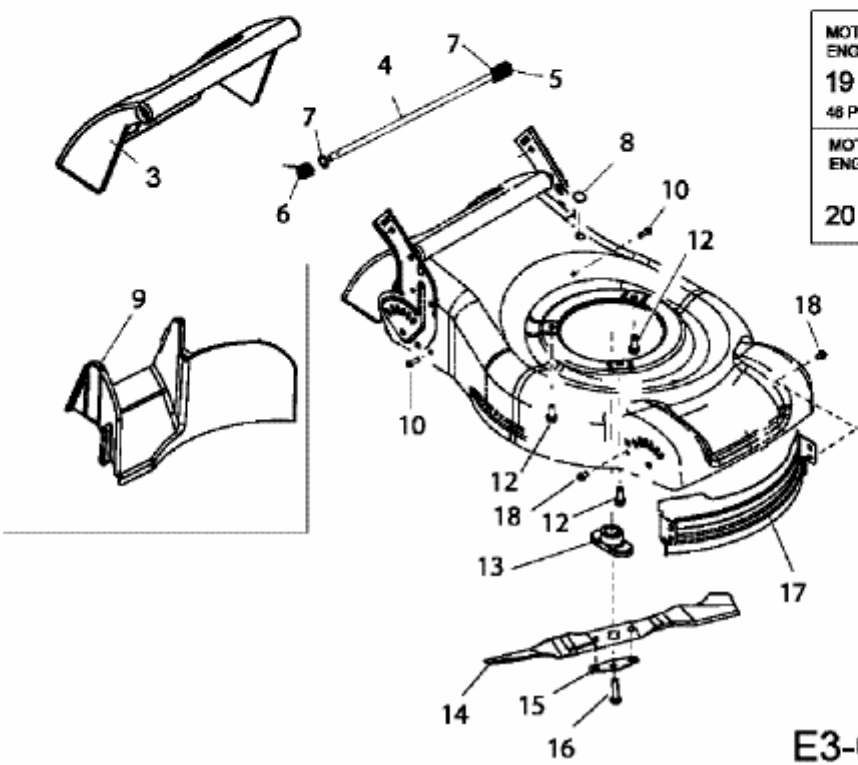
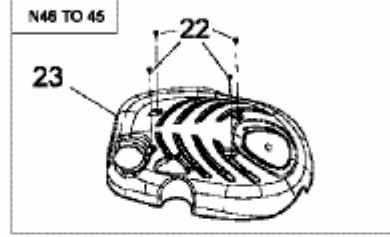
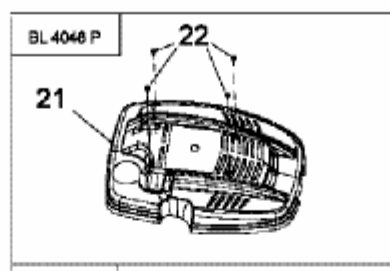
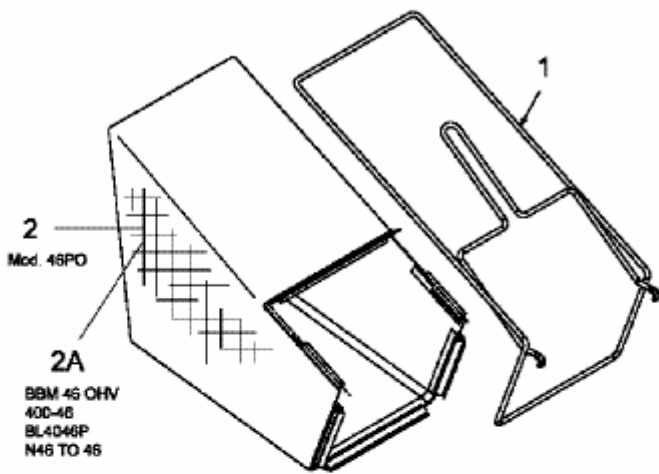


46 PO > 11A-J1MD600 (2006) > GRASFANGSACK, MESSER, MOTOR

46 PO	11A-J1MD600	400-46	11A-J1MD621
46 PO	11A-J1MD604	BL 4046 P	11A-J1ME684
BBM 46 OHV	11A-J1MD619	N46 TO 45	11A-J1ME693



MOTOR / ENGINE / MOTEUR	1P61FH
<b>19</b>	
46 PO, BBM46, 400-46	
MOTOR / ENGINE / MOTEUR	1P65FH
<b>20</b>	
BL 4046P, N46 TO45	

Nicht abgebildet /  
not shown

E3-02629A-01