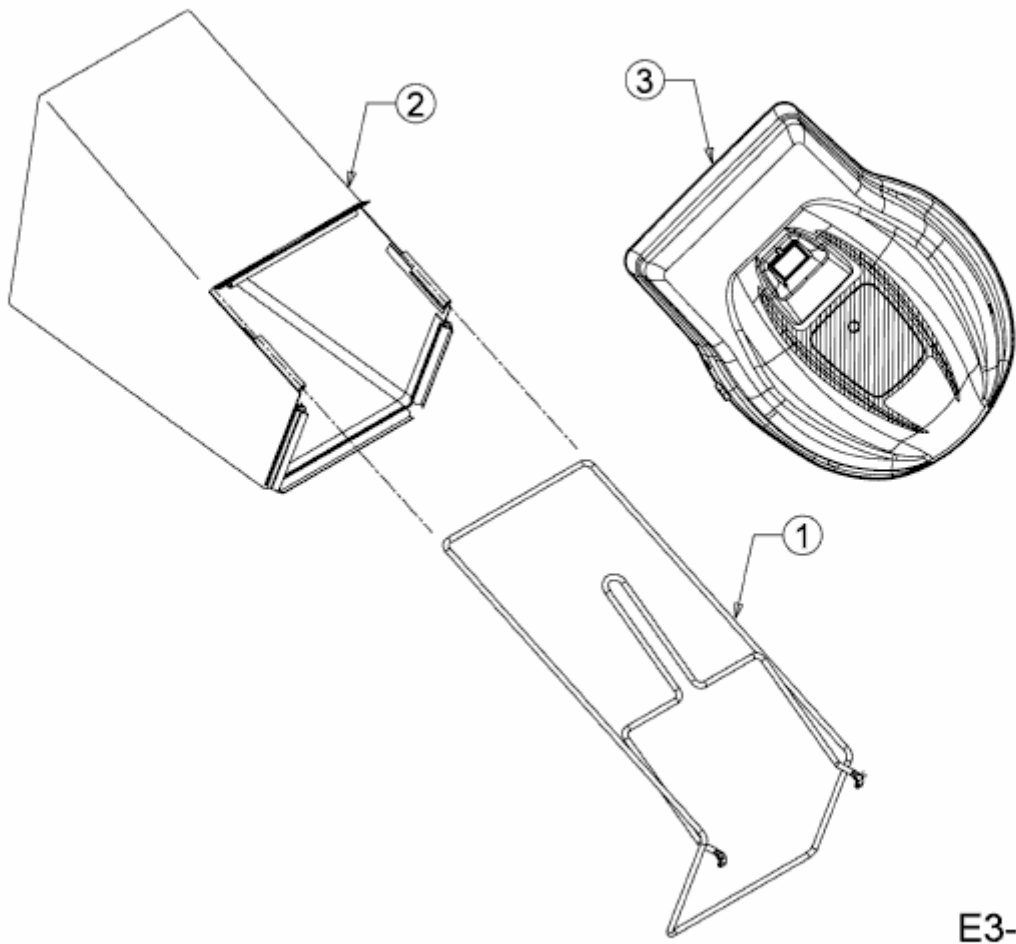


MC 46 PO > 11A-J1M8659 (2016) > GRASFANGSACK, HECKKLAPPE



E3-05480B-01