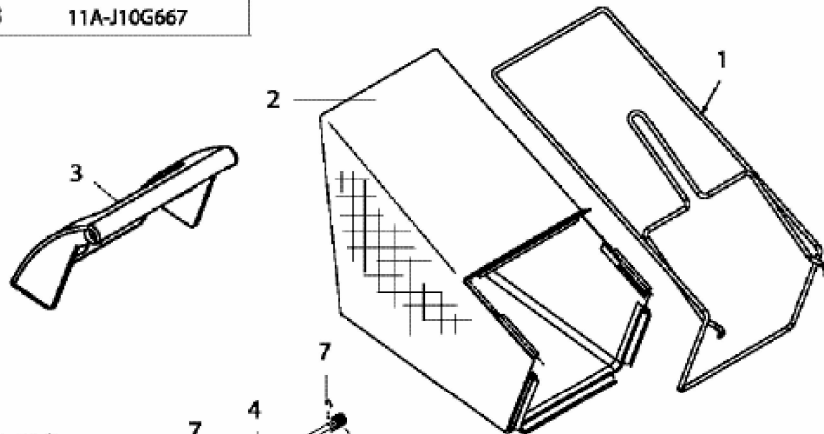
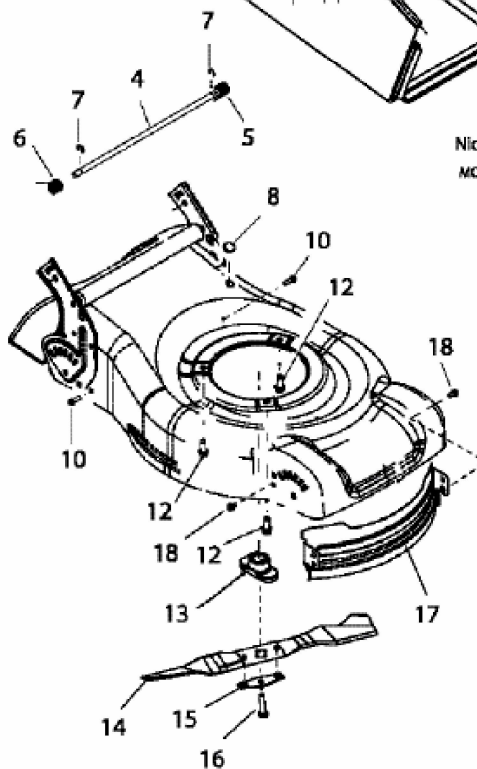
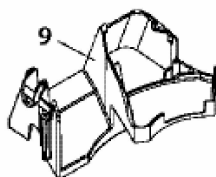
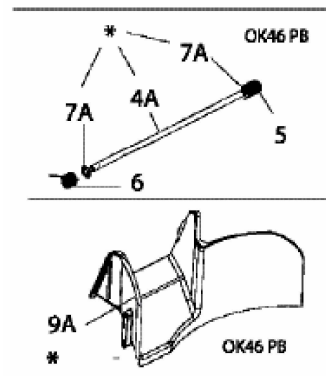


46 PB > 11A-J10G667 (2005) > GRASFANGSACK, MESSER, MOTOR

46 PB	11A-J10G600	46 PB-4S	11A-J14J676
46 PT	11A-J11A600	46 PB-4	11A-J14M676
BBM 46 BS	11A-J10G619	46 PH	11A-J18Q676
BBM 46	11A-J11A619	46 PH	11A-J18Q677
* OK 46 PB	11A-J10G667		



*
mit * markierte Teile sind gültig für:
Parts marked with * are valid for:
OK46 PB
Serlo Nr. AC185T41831 - AC185T42035
Serie Nr. AD065T40836 - AD065T41280



Nicht abgebildet / not shown
MOTOR / ENGINE / MOTEUR

11	46 PB, BBM 46 BS, OK46 PB
Briggs & Stratton	
19	46 PT, BBM 46
TEC	
20	46 PB-4S
Briggs & Stratton	
21	46 PB-4
Briggs & Stratton	
21A	Motorabdeckung
21B	Schraube
HONDA	
22	46 PH

E3-02515A