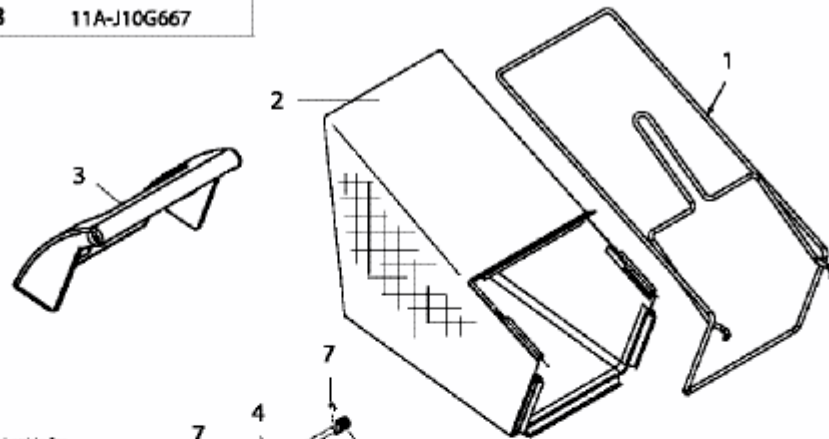
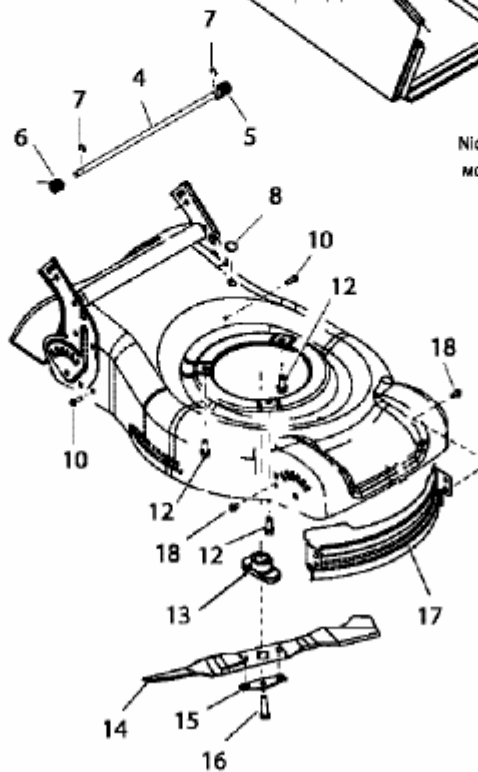
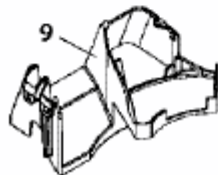
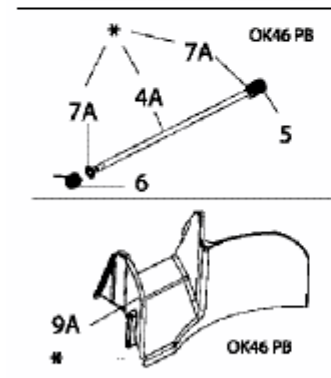


11A-J10G619 (2005) > GRASFANGSACK, MESSER, MOTOR

46 PB	11A-J10G600	46 PB-4S	11A-J14J676
46 PT	11A-J11A600	46 PB-4	11A-J14M676
BBM 46 BS	11A-J10G619	46 PH	11A-J18Q676
BBM 46	11A-J11A619	46 PH	11A-J18Q677
* OK 46 PB	11A-J10G667		



\*  
 mit \* markierte Teile sind gültig für:  
 Parts marked with \* are valid for:  
 OK46 PB  
 Serie Nr. AC185T41831 - AC185T42035  
 Serie Nr. AD065T40836 - AD065T41280



Nicht abgebildet / not shown  
 MOTOR / ENGINE / MOTEUR

11	46 PB, BBM 46 BS, OK46 PB
<b>Briggs &amp; Stratton</b>	
19	46 PT, BBM 46
<b>TEC</b>	
20	46 PB-4S
<b>Briggs &amp; Stratton</b>	
21	46 PB-4
<b>Briggs &amp; Stratton</b>	
21A	Motorabdeckung
21B	Schraube
<hr/>	
22	46 PH
<b>HONDA</b>	

E3-02515A