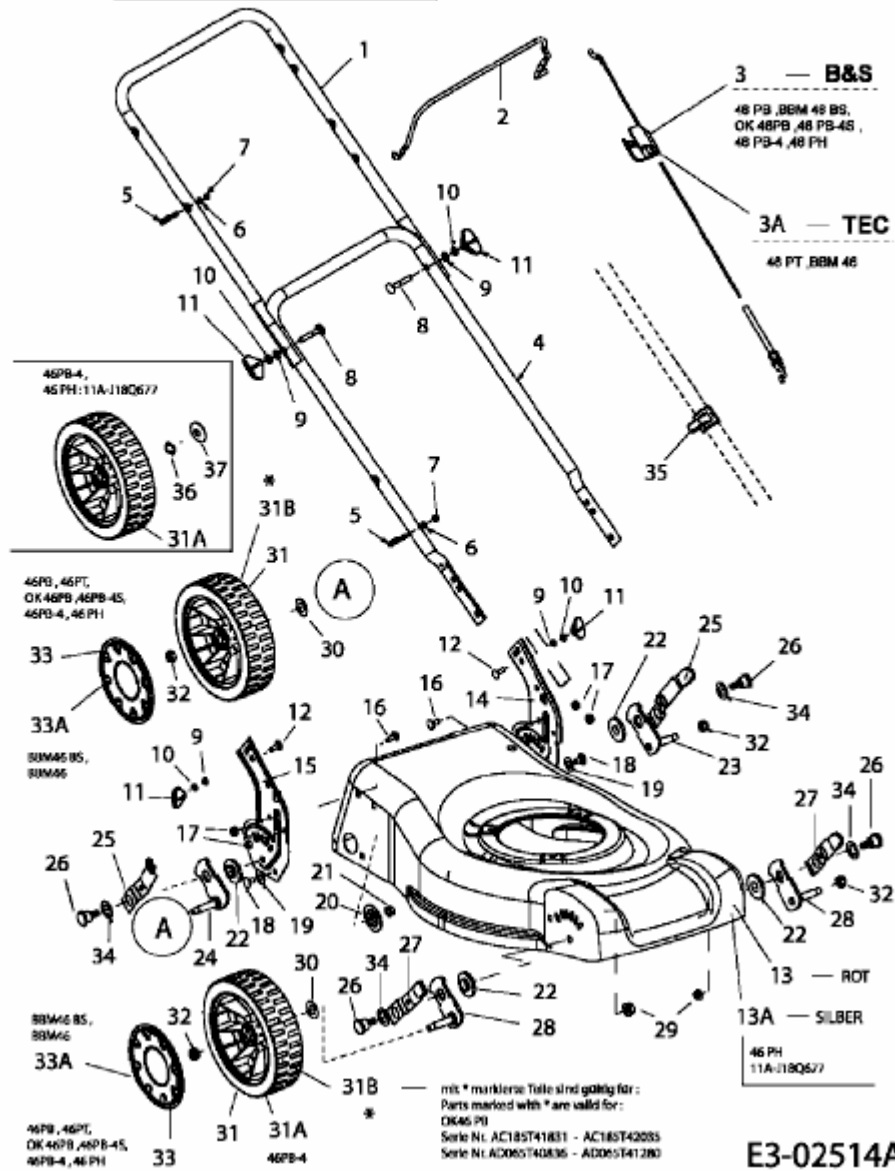


11A-J10G619 (2005) > HOLM, RÄDER, SCHNITTHÖHENVERSTELLUNG

46 PB	11A-J10G600	46 PB-4S	11A-J14J676
46 PT	11A-J11A600	46 PB-4	11A-J14M676
BBM 46 BS	11A-J10G619	46 PH	11A-J18Q676
BBM 46	11A-J11A619	46 PH	11A-J18Q677
* OK 46 PB	11A-J10G667		



E3-02514A