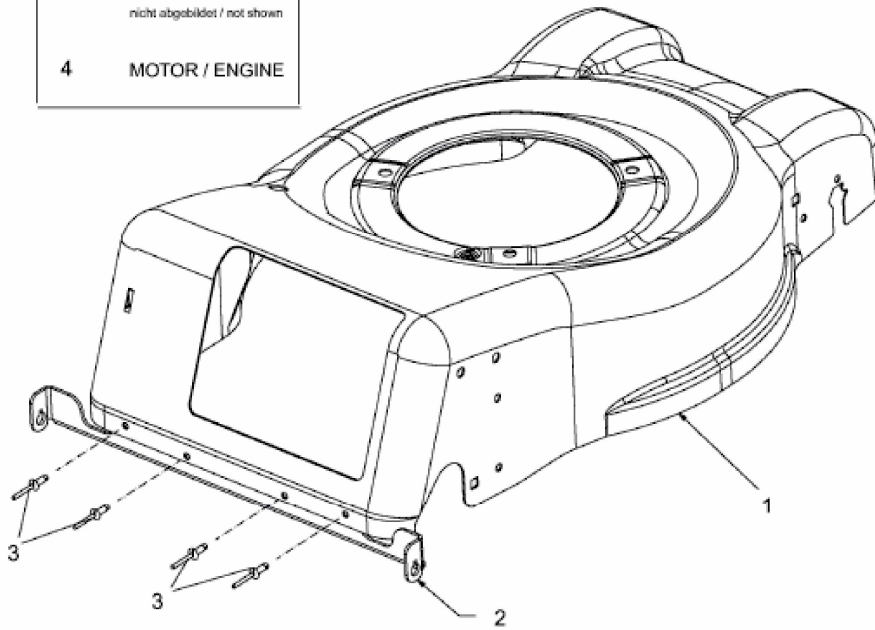


nicht abgebildet / not shown  
4 MOTOR / ENGINE



TRAILSHIELD MOUNTING BRACKET  
IS POSITIONED INSIDE BACK EDGE  
OF DECK AS SHOWN

E3-07662A-01