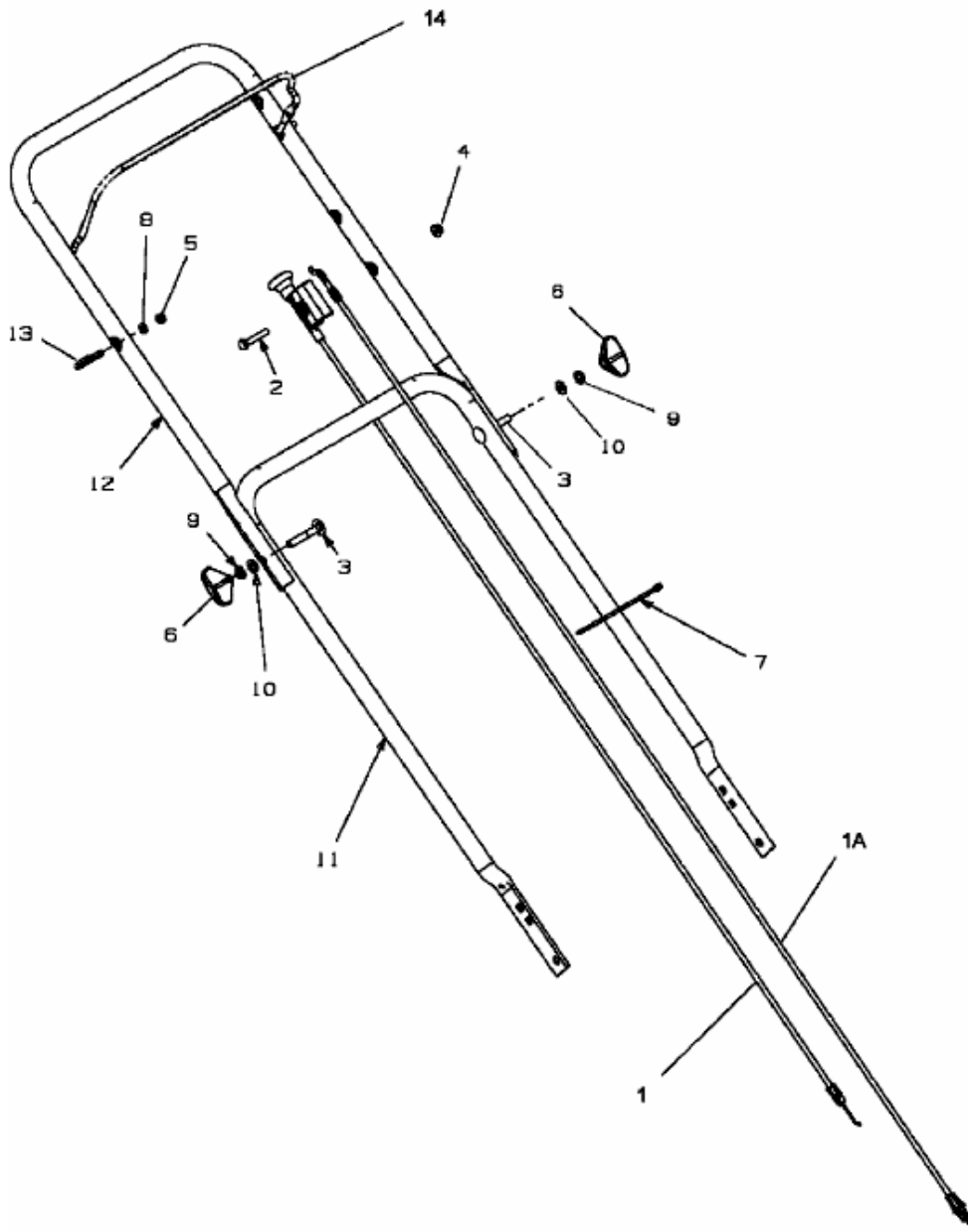


P 40 O > 11A-I1MD657 (2006) > HOLM

# 40 PO / 400-40 / P 40 O / BL 4040P



E3-02611A-01