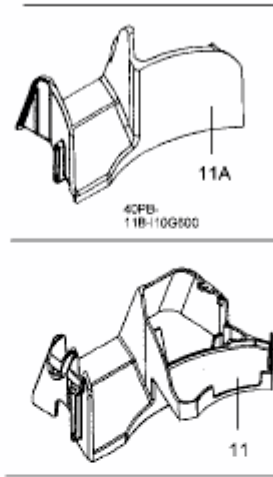


HB 40 B > 11A-I14M690 (2005) > GRASFANGSACK, MESSER, MOTOR

| | | | |
|---------|-------------|-------|-------------|
| P 40 B | 11A-I10G657 | 40 PB | 11A-I10G600 |
| 40 PT | 11A-I11A600 | 40 PB | 11B-I10G600 |
| HB 40 B | 11A-I14M690 | | |



Nicht abgebildet /
not shown

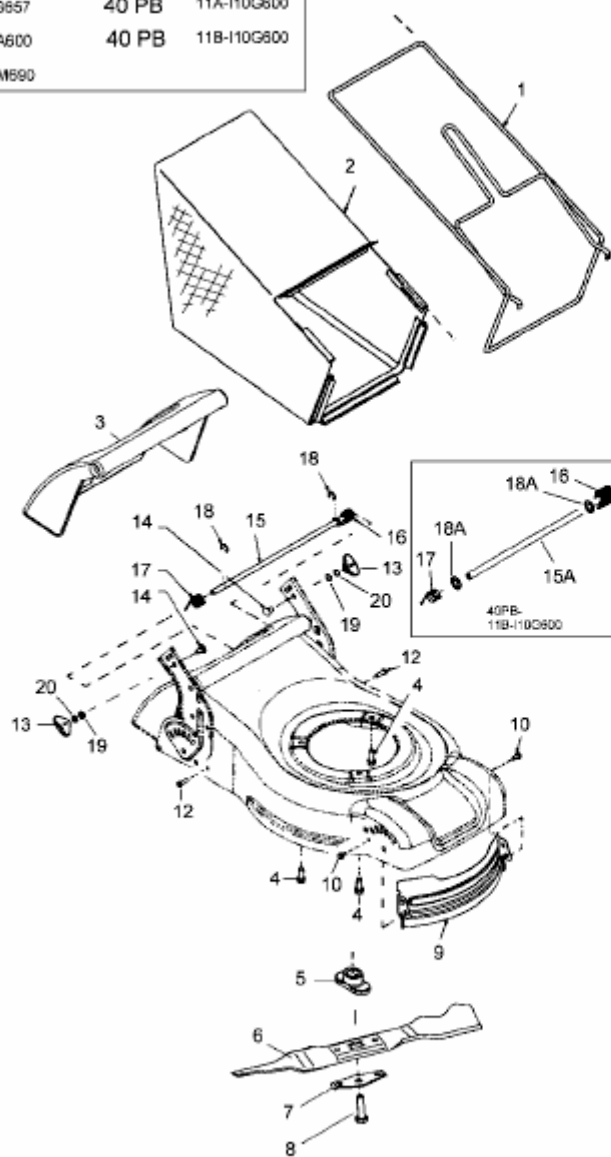
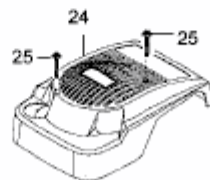
Motor ,Engine

21 40 PB , P 40 B

22 40 PT

23 HB 40 B

Motorabdeckung HB 40 B
Engine Hood



E3-01960A