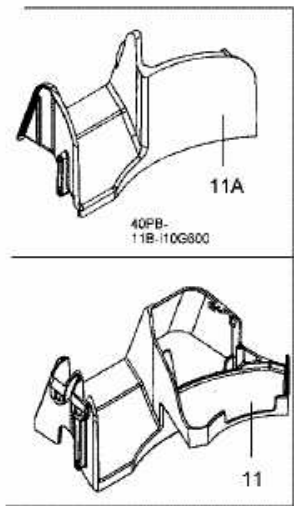


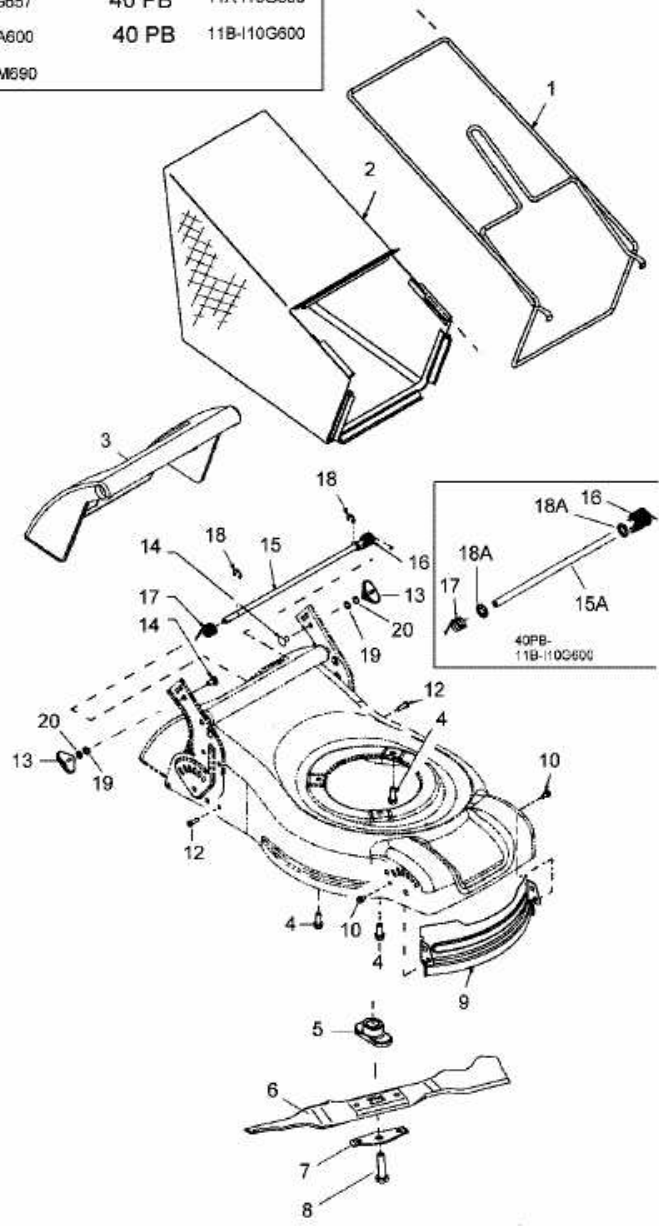
P 40 B > 11A-I10G657 (2005) > GRASFANGSACK, MESSER, MOTOR

P 40 B	11A-I10G657	40 PB	11A-I10G600
40 PT	11A-I11A600	40 PB	11B-I10G600
HB 40 B	11A-I14M690		



Nicht abgebildet /
not shown

Motor ,Engine	
21	40 PB , P 40 B
22	40 PT
23	HB 40 B



E3-01960A