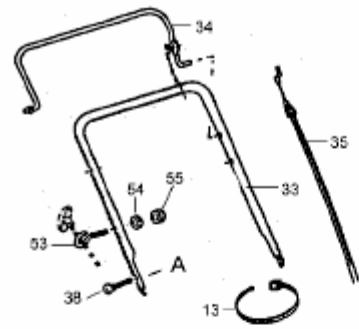
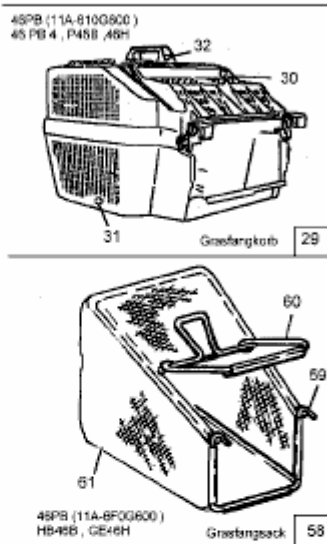


46 H > 11A-618Q621 (2005) > GRUNDGERÄT

46 PB	11A-610G600	P 46 B	11A-610G657
46 PB	11A-6F0G600	HB 46 B	11A-614H690
46 PB 4	11A-614M676	46 H	11A-618Q621
46 PB 4	11B-614J676	GE 46 H	11A-618Q676



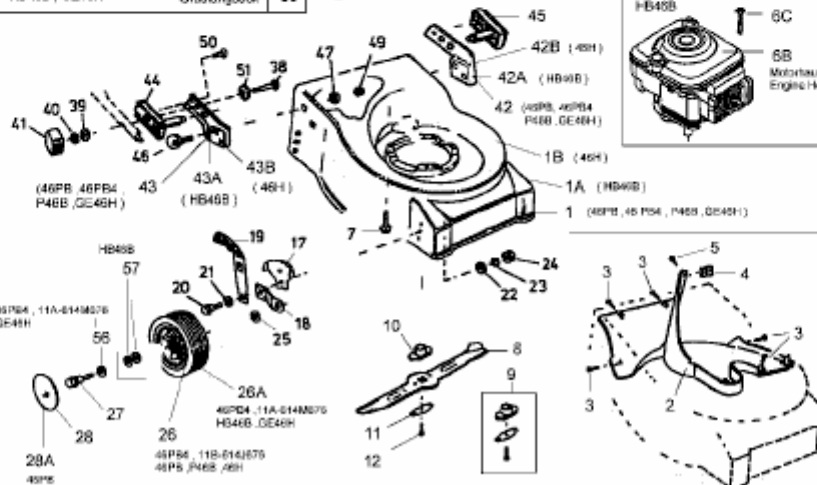
Motor, Engine, Moteur
nicht abgebildet /
not shown

46PB4, 11B-614J676	6F	Motor B&S
46PB4, 11A-614M676	6E	Motor B&S
6G		Motorhaube Engine Hood
6C		Schraube /Screw

GE46H, 46H	6D	Motor HONDA
------------	----	-------------

46PB, P46B	6	Motor B&S
------------	---	-----------

6A		Motor B&S
HB46B		Motorhaube Engine Hood



E3-02500A