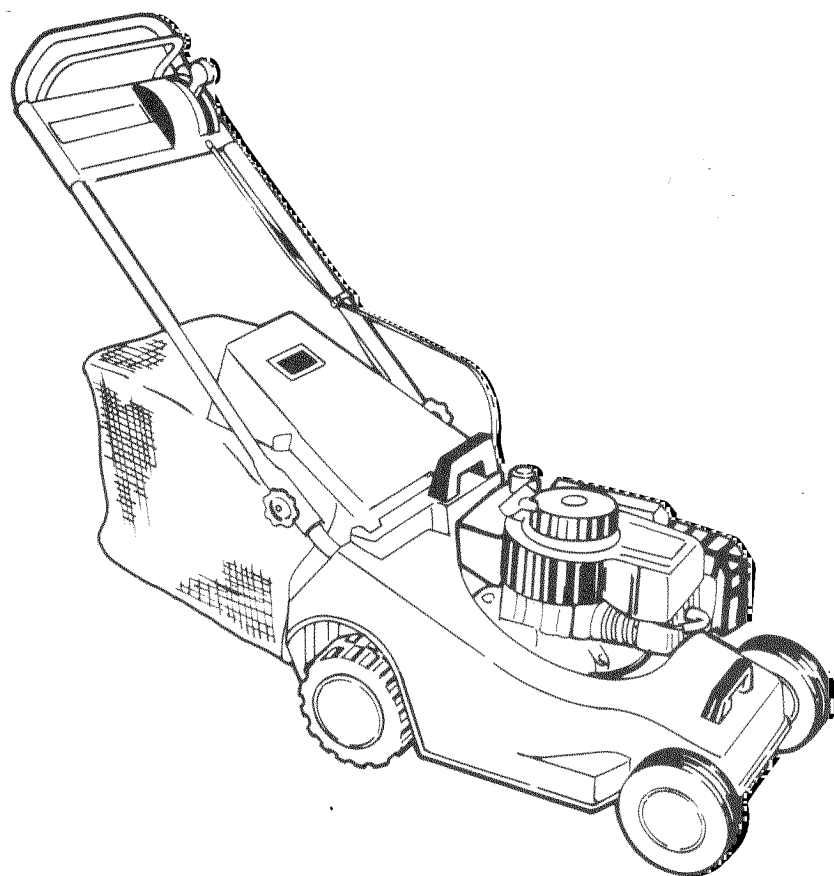


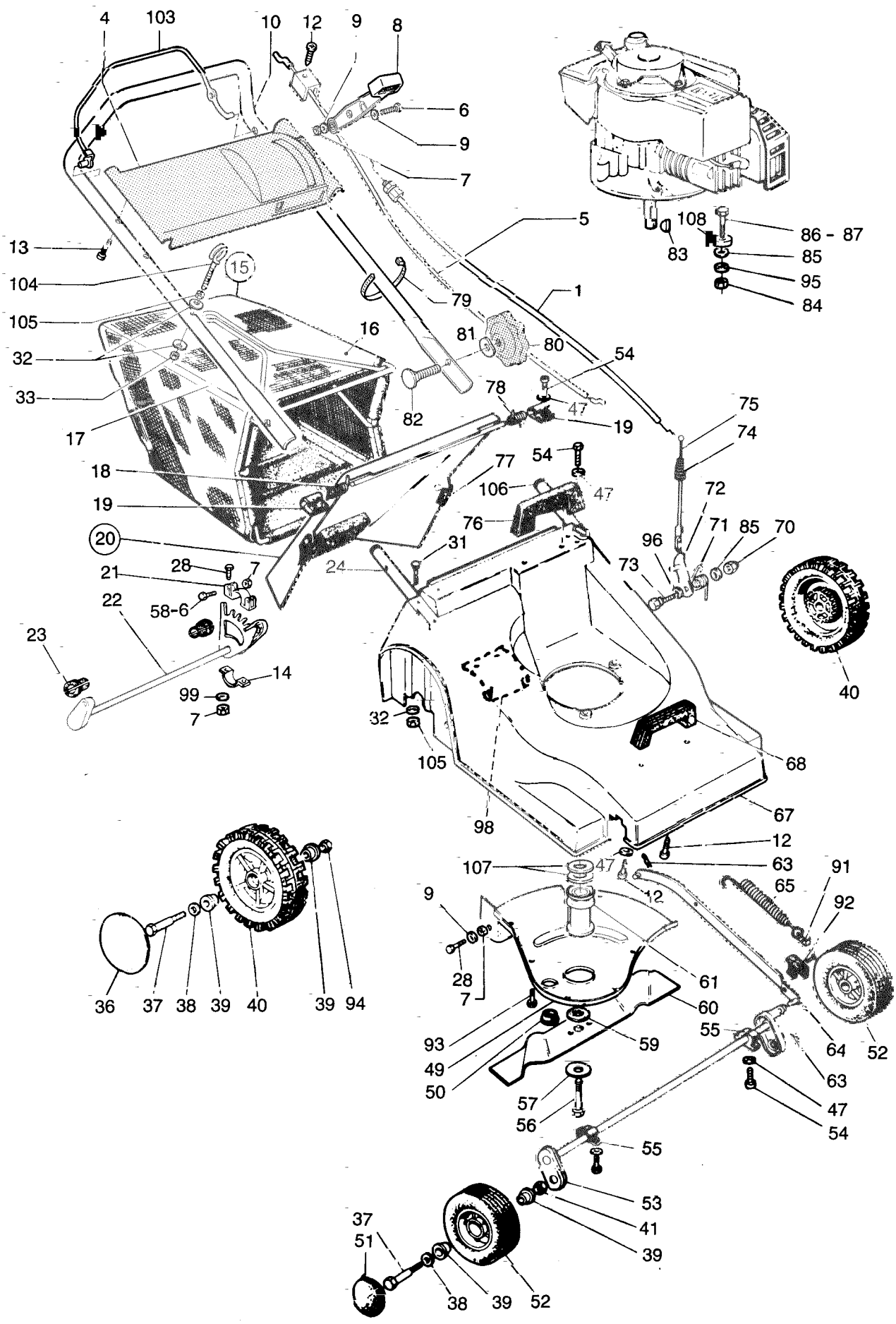


Rasaerba • Tondeuses • Lawn Mowers
Rasenmäher • Cortacesped • Gazonmaaimachines

RICAMBI
RECHANGES
SPARE PARTS
ERSATZTEILE
RECAMBIOS
ONDERDELEN



mod. 943 CV
mod. 943 CV/K



N.ord. - N. pieces part. N. - bestell N.		RICAMBI SPARE PARTS	RECHANGES ERSATZTEILE	RECAMBIOS ONDERDELEN	Q	
76	10 8299 03	maniglia sgancio handle	poignee Handgriff	manillar hendel	1	
77	20 8302 03	ammortizzatore shock-absorber	amortisseur Stobdämpfer	amortiguador schokdemper	1	
78	10 8301 00	molla spring	ressort Feder	muelle veer	1	
79	10 1356 00	fascetta clamp	colier Schlauchklemme	abrazadera kabelhoudel	2	
80	10 4024 03	dado a galletto wing nut	ecrou a papillon Flugelmutter	tuerca palomilla moer	2	M8
81	10 4024 02	rondella washer	rondelle Scheibe	arandela borgring	2	Ø 8,5
82	10 4024 01	vite screw	vis Schraube	tornillo schroef	2	TTSQ M8x50
83	10 1009 00	chiavetta key	clavette Keil	chaveta spie	1	Wodruff 4x6.5
84	20 1063 00	dado nut	ecrou Mutter	tuerca moer	3	M8
85	10 1142 00	rondella washer	rondelle Scheibe	arandela borgring	4	Ø 8
86	10 4088 00	vite screw	vis Schraube	tornillo schroef	3	B&S 35 TE M8x50
87	10 8042 00 10 4045 00	vite screw	vis Schraube	tornillo schroef	1 2	M8x80 M8x55 B&S XM40 QUANTUM
91	10 8034 00	gancio hook	crochet Haken	gaucho haak	1	
92	10 8314 03	cursore slider	curseur Schieber	cursor houdel	1	
93	20 7349 00	vite autofilettante screw	vis Schraube	tornillo schroef	10	Ø 4.3x16
94	20 5013 10	dado nut	ecrou Mutter	tuerca moer	2	M10 alto
95	20 1062 00	rondella dentellata washer	rondelle Scheibe	arandela borgring	3	Ø 8E
96	10 7318 00	rondella washer	rondelle Scheibe	arandela borgring	1	Ø 8/15/0.3
98	10 8049 00	convogliatore deflector	deflecteur Prailblech	deflectør deflector	1	
99	10 8050 00	rondella washer	rondelle Scheibe	arandela borgring	2	Ø 5
103	10 1214 63	maniglia freno lever	manette Griff	mando hendel	1	
104	10 1214 70	gancio cable hook	crochet Zugentlastung	soporte de cabo haak	1	
105	10 5012 00	dado nit	ecrou Mutter	tuerca moer	5	M6
106	20 8333 03	tappo plug	bouchon Kappe	tapon dop	2	
107	10 4289 00	rondella washer	rondelle Scheibe	arandela borgring	2	Ø 10
108	10 8348 00	distanziale spacer	entretoise Abstandstück	distanciador afstandsring	3	Ø 9/22/6H

N.ord. - N. pieces part. N. - bestell N.	RICAMBI SPARE PARTS	RECHANGES ERSATZTEILE	RECAMBIOS ONDERDELEN	Q	
39 10 1219 00	cuscinetto ruota ball bearing	roulement Radlager	cojinete kogellager	8	
40 10 8026 07	ruota wheel	roue Rad	rueda wiel	2	Ø 190
41 20 1017 00	dado nut	ecrou Mutter	tuerca moer	2	UNI 5588 M10
47 10 5012 50	rondella washer	rondelle Scheibe	arandela borgring	10	Ø 4/12/1
49 10 8021 03	carter housing	carter Gehäuse	proteccìon huis	1	
50 10 8309 03	tappo plug	bouchon Verschluß	tapa dop	1	
51 10 2879 07	copriruota wheel cover	couvre-roue Radkappe	tapòn huis	2	
52 10 2810 07	ruota anteriore wheel	roue Rad	rueda wiel	2	Ø 170
53 10 8022 00	assale anteriore front axle	assieu avant Vorderachse	eje anterior vooras	1	
54 10 8045 00	vite autofilettante screw	vis Schraube	tornillo autorroscante schroef	8	Ø 4.5x22 FIX
55 10 2824 03	supporto assale bearing	support Halter	soporte houder	2	
56 10 2809 00	vite lama screw	vis Schraube	tornillo schroef	1	UNF Ø 3/8"x70
57 10 5309 00	rondella elastica washer	rondella Scheibe	arandela borgring	1	
58 20 2924 00	vite screw	vis Schraube	tornillo schroef	1	TE M5x20
59 10 5317 00	rondella frizione washer	rondelle Scheibe	arandela borgring	1	
60 10 8001 00	lama blade	lame Klinge	cuchilla mes	1	cm.43
61 10 5483 00	supporto lama bearing blade	support lame Klingehalter	soporte cuchilla messerhouder	1	ALLUMINIO
63 10 2814 00	coppiglia cotterpin	goupille Spint	chaveta spie	2	
64 10 8023 00	asta rod	tige Stab	barra stang	1	
65 10 8028 00	molla spring	ressort Feder	muelle veer	1	
67 10 8000 00	scocca deck	chassi Gehäuse	chasis maaidek	1	
68 10 5405 03	maniglia handle	poignee Handgriff	manillar hendel	1	
70 20 4049 00	dado nut	ecrou Mutter	tuerca moer	1	M8
71 10 8295 00	molla spring	ressort Feder	muelle veer	1	
72 10 8296 00	leva sgancio lever	levier Hebel	palanca hendel	1	
73 10 8268 00	perno pin	pivot Zapfen	pivote pin	1	
74 10 8297 00	molla spring	ressort Feder	muelle veer	1	
75 10 8298 00	cavo sgancio cable	cabie Kabel	cabie kabel	1	

N.ord. - N. pieces part. N. - bestell N.	RICAMBI SPARE PARTS	RECHANGES ERSATZTEILE	RECAMBIOS ONDERDELEN	Q	
1 10 1359 80	cavo acceleratore accelerator cable	cable accelerateur Gaszung	cable de acelerador kabel	1	B&S XM40-35 mm.1320
4 10 1212 53	plancia comandi dash board	planche Armaturen Brett	placa del manillar bedieningspaneel	1	
5 10 1359 00	cavo freno cable	cable Gaszung	cable kabel	1	B&S mm.990/148
6 10 8300 00	vite screw	vis Schraube	tornillo schroef	4	TE M5x25
7 20 2821 00	dado nut	ecrou Mutter	tuerca moer	11	M5 NYLON
8 10 1212 60	leva acceleratore lever	levier Gashebel	palanca gashendel	1	
9 20 2847 00	rondella washer	rondelle Scheibe	arandela borgring	3	Ø 5x15
10 10 8061 00	manico superiore upper handle	guidon superieur Obere Griffstange	manillar superior bovenste handgreep	1	
12 20 1357 30	vite screw	vis Schraube	tornillo schroef	3	TCTC 2F Ø 5X25
13 20 1357 20	vite autofilettante screw	vis Schraube	tornillo autorroscante schroef	6	TCTC 2F Ø 5x16
14 10 8286 00	supporto bearing	support Halter	soporte houder	2	
15 10 8014 03	sacco raccogliera compl. grass catcher	sac complete Grassfangsack	saco completo complete zak	1	
16 20 8015 03	sacco sack	sac Sack	saco zak	1	
17 20 8016 00	telaio sacco sack frame	cadre du sac Rahmen für Sack	bastidor sacco zakframe	1	
18 10 8283 00	molla spring	ressort Feder	muelle veer	1	
19 10 8285 03	supporto paratoia bearing	support Halter	soporte houder	2	
20 10 8017 03	paratoia completa deflector	deflecteure Prailblech	deflectòr deflector	1	
21 10 8018 00	supporto inferiore bearing	support Halter	soporto houder	2	
22 10 8041 00	assale posteriore rear axle	assieu arrière Hinteres Achsen	eje trasero achteras	1	
23 10 8040 03	bussola bush	douille Buchse	pasador kogel	2	
24 10 8315 00	manico inferiore lower handle	guidon inferieur Untere Griffstange	manillar inferior onderste handgreep	2	
28 10 8303 00	vite screw	vis Schraube	tornillo schroef	5	TE M5x16
31 10 1127 01	vite screw	vis Schraube	tornillo schroef	4	TTSQ M6x45
32 10 1159 00	rondella washer	rondelle Scheibe	arandela borgring	6	Ø 6,5
33 20 2818 00	dado nut	ecrou Mutter	tuerca moer	1	M6 NYLON
36 10 4044 07	copri ruota wheel cover	couvre-roue Radkappe	tapòn dop	2	
37 20 1016 00	vite ruota screw	vis Schraube	tornillo schroef	4	
38 10 2751 00	rondella elastica washer	rondelle Federscheibe	arandela borgring	4	