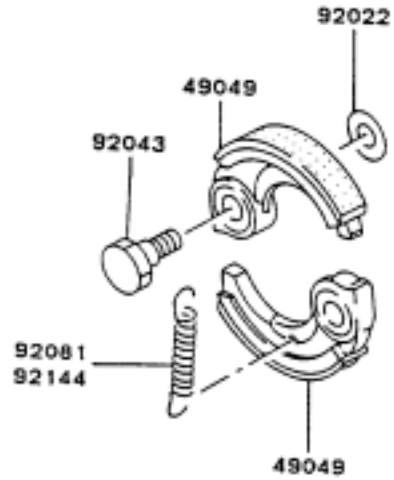


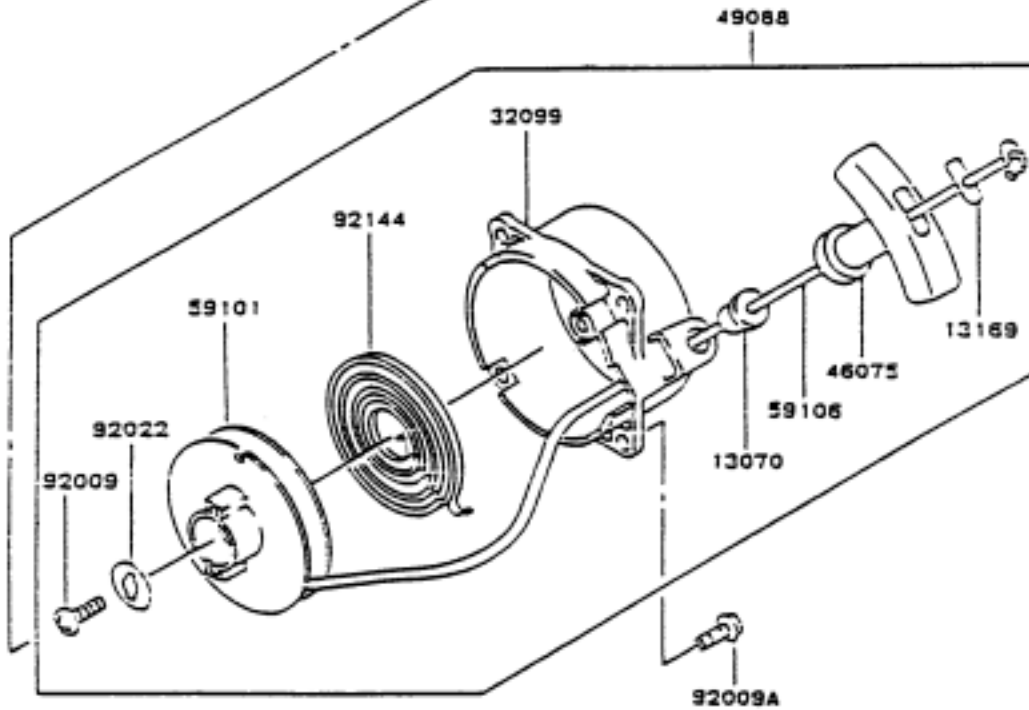
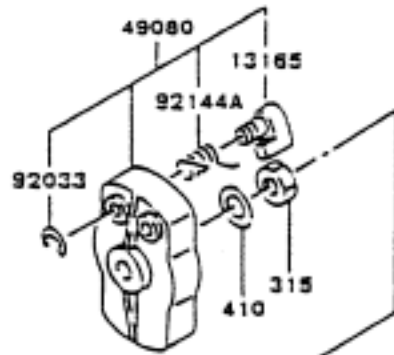
E0220-2005F

Ref No.	Part No.	Part Name	Qty	B
49049	49049-2053	SHOE-CLUTCH	2	
92022	92026-2125	WASHER	2	
92043	92043-2070	PIN,CLUTCH	2	
92081	92081-2172	SPRING	*	
92144	92144-2283	SPRING,CLUTCH	1	

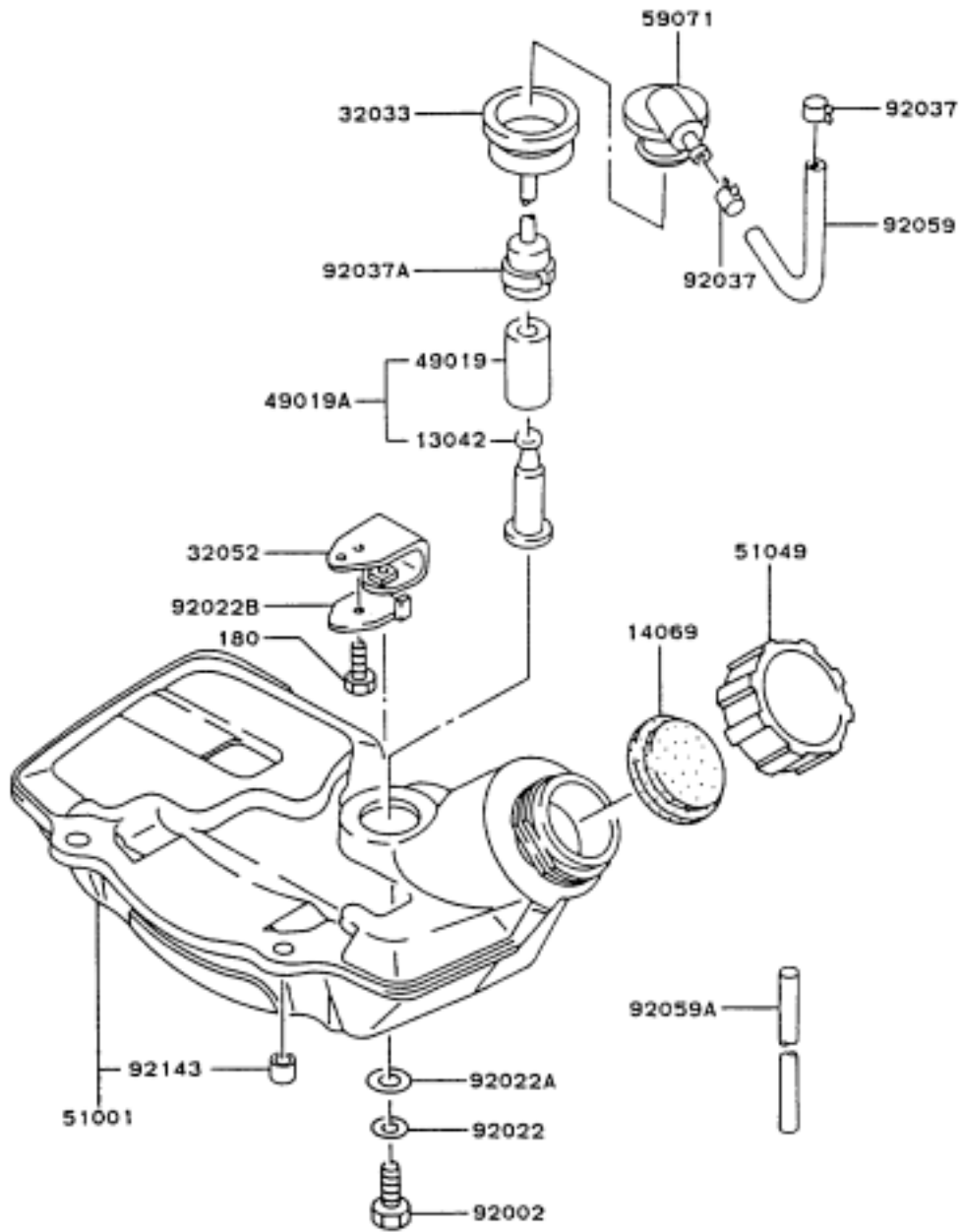


E0210-2070Z

Ref No.	Part No.	Part Name	Qty	B
	315	NUT-HEX-FINE	1	
	410	W-PLAIN-S	1	
	13070	GUIDE,ROPE	1	
	13165	PAWL,RECOIL STARTER	1	
	13169	PLATE,RECOIL STARTER	1	
	32099	CASE,RECOIL STARTER	1	
	46075	GRIP	1	
	49080	PULLEY-STARTING	1	
	49088	STARTER-RECOIL	1	
	59101	REEL,RECOIL STARTER	1	
	59106	ROPE,3.5X850	1	
	92009	SCREW,5X12	1	
	92009A	SCREW,5X16	4	
	92022	WASHER	1	
	92033	RING-SNAP	1	
	92144	SPRING,RECOIL	1	
	92144A	SPRING	1	

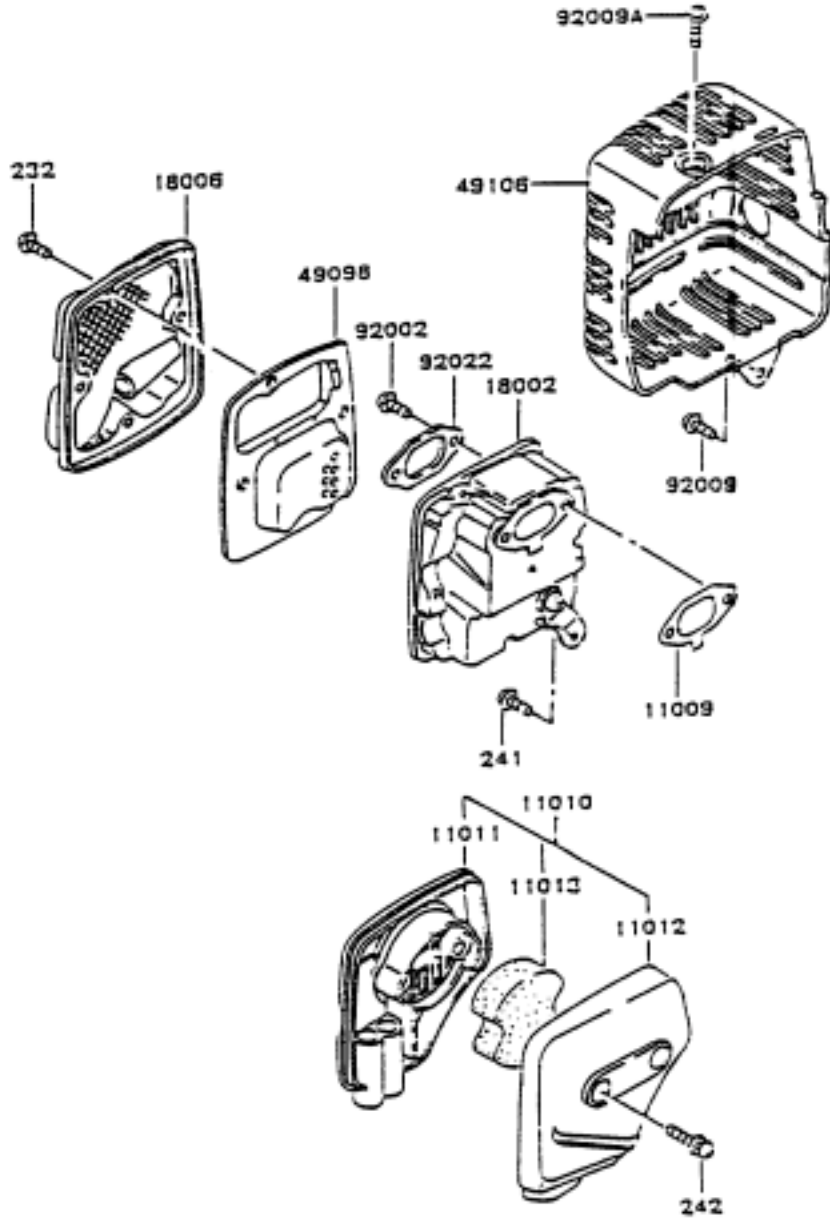


E0200-2123A



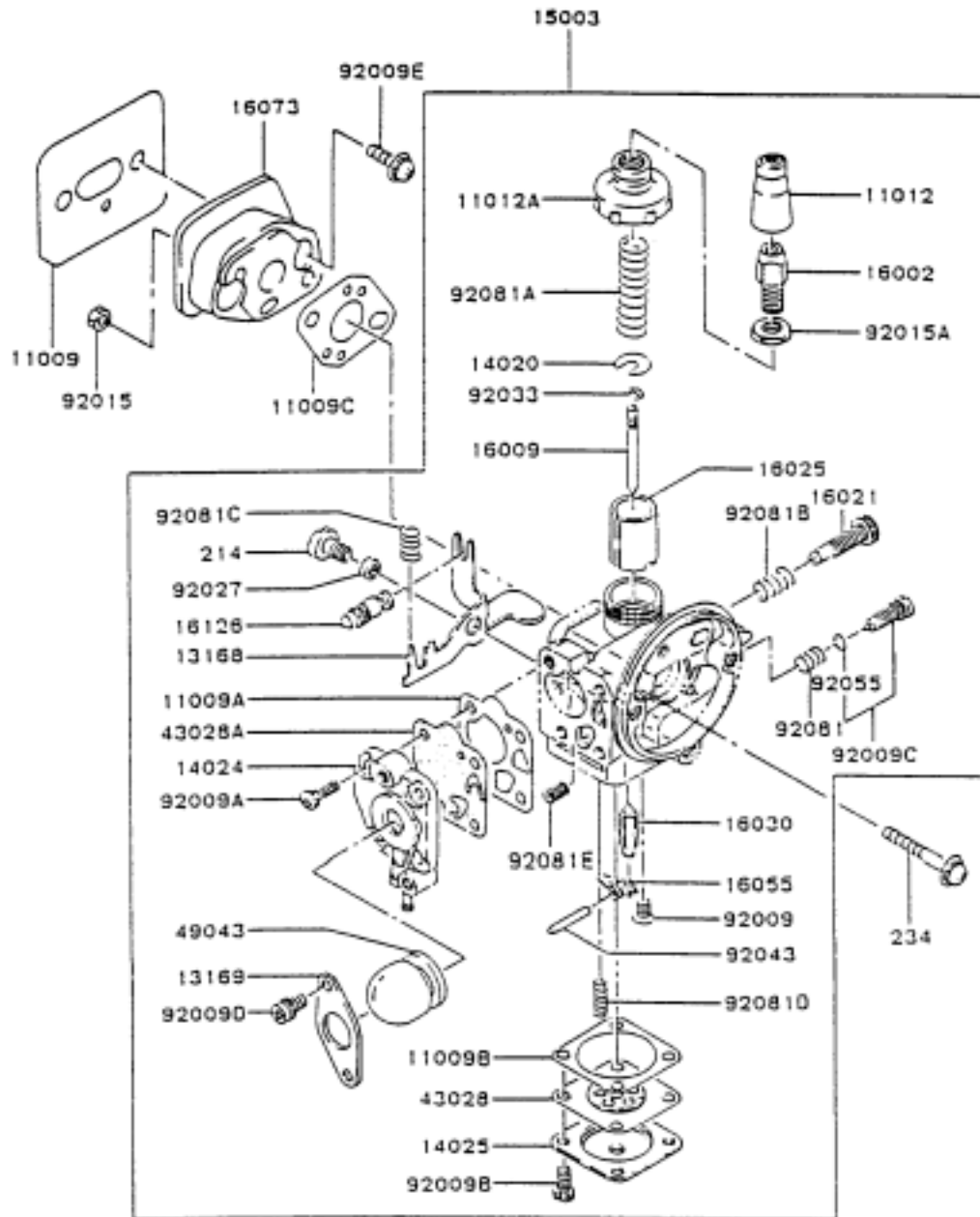
Ref No.	Part No.	Part Name	Qty	B
180	180H0514	BOLT-UPSET-WS	1	
13042	13042-2058	WEIGHT	1	
14069	14069-2056	BREATHER	1	
32033	92059-2113	PIPE	1	
32052	32052-2160	BRACKET-TANK	1	
49019	49019-2063	FILTER-FUEL	1	
49019A	49019-2092	FILTER-FUEL	1	
51001	51001-2198	TANK-COMP-FUEL	1	
51049	51049-2057	CAP-TANK	1	
59071	59071-2066	JOINT	1	
92002	92002-2322	BOLT,5X20	3	
92022	92022-2182	WASHER	3	
92022A	92022-2161	WASHER	3	
92022B	92022-2364	WASHER	1	
92037	92037-2163	CLAMP	2	
92037A	92037-2120	CLAMP	1	
92059	92059-2159	TUBE	1	
92059A	92059-2253	TUBE,3X5X160	1	
92143	92143-2162	COLLAR	3	

E0190-2063A



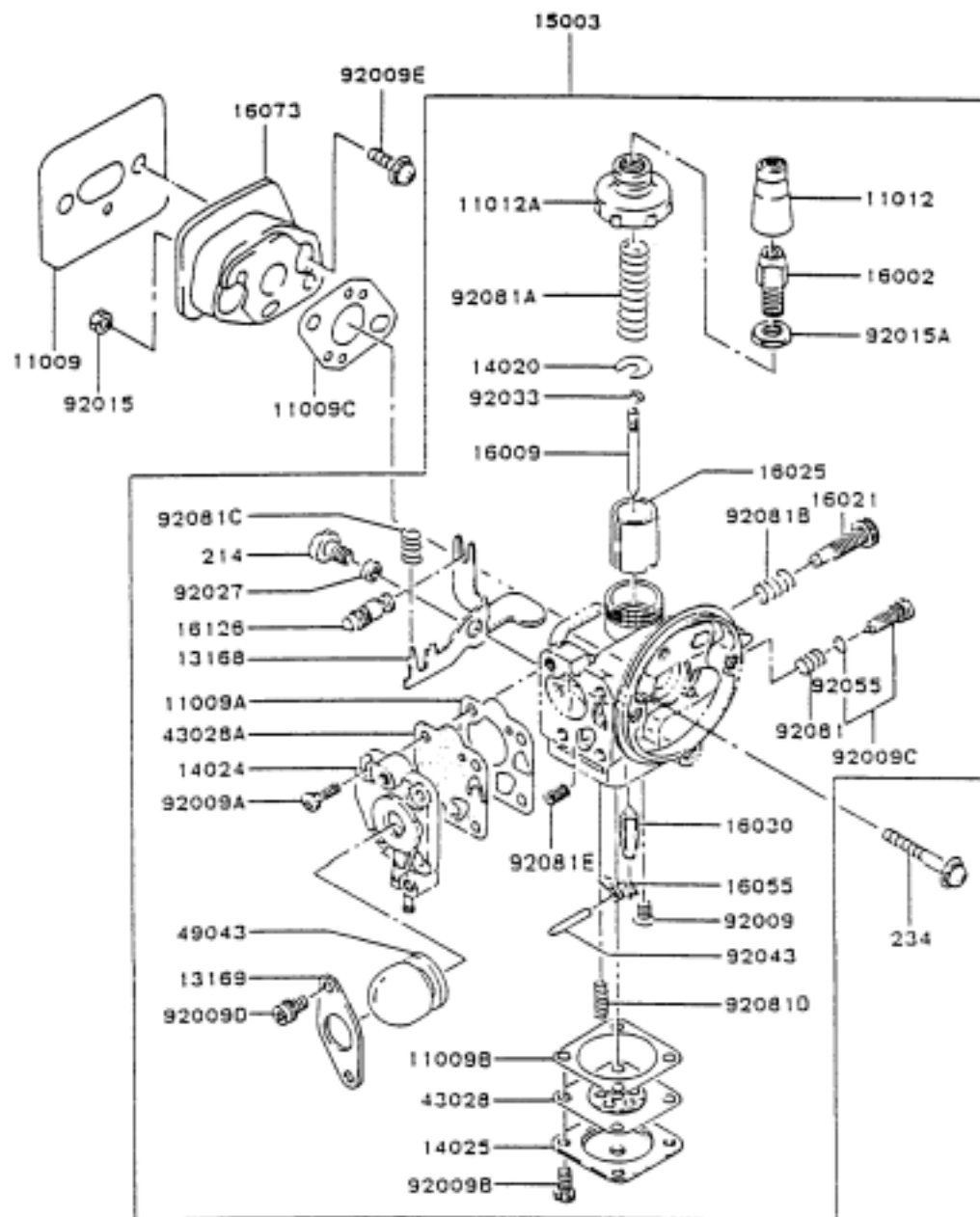
Ref No.	Part No.	Part Name	Qty	B
232	232B0512	SCREW-PAN-WS+	4	
241	241B0512	SCREW-PAN-WP+	1	
242	242B0425	SCREW-PAN-WSP+	2	
11009	11009-2711	GASKET,MUFFLER	1	
11010	11010-2339	FILTER-ASSY-AIR	1	
11011	11011-2188	CASE-AIR FILTER	1	
11012	11012-2231	CAP,AIR FILTER	1	
11013	11013-2055	ELEMENT-AIR FILTER	1	
18002	18002-2052	BODY-COMP-MUFFLER	1	
18006	18006-2312	BODY-MUFFLER	1	
49098	49098-2052	BAFFLE-PLATE MUFFLER	1	
49106	49106-2431	COVER-MUFFLER	1	
92002	92002-2318	BOLT,5X18	2	
92009	92009-2241	SCREW,5X16	1	
92009A	92009-2243	SCREW,5X10	1	
92022	92022-2363	WASHER	1	

E0180-2173Z



Ref No.	Part No.	Part Name	Qty	B
214	214B0408	SCREW-PAN+-	1	
234	234B0543	SCREW-PAN-WSP+-	2	
92081E	92081-2340	SPRING	2	

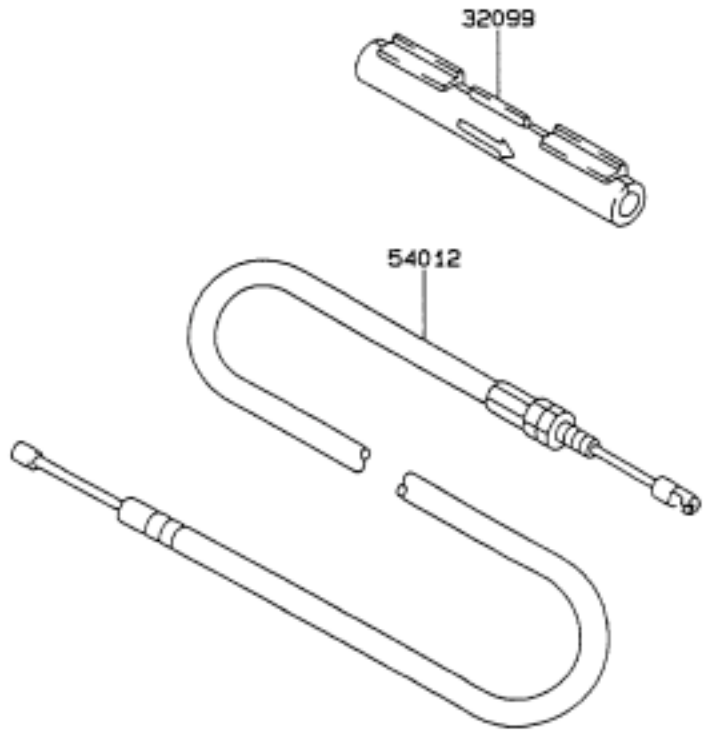
E0180-2173Z

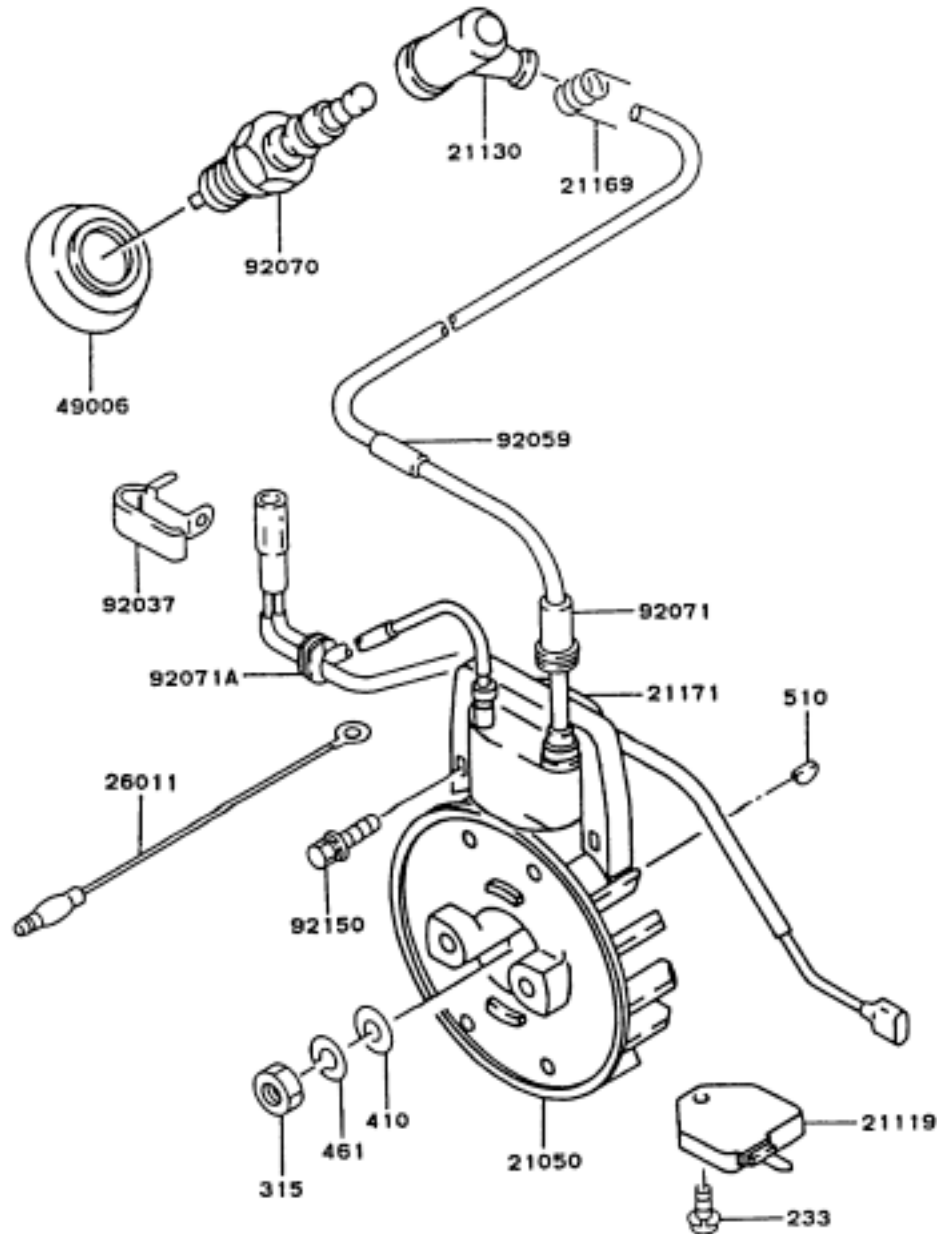


Ref No.	Part No.	Part Name	Qty	B
11009	11009-2712	GASKET,INSULATOR	1	
11009A	11009-2062	GASKET	1	
11009B	11009-2366	GASKET	1	
11009C	11009-2211	GASKET,CARBURETOR	1	
11012	11012-2230	CAP,CARBURETOR	1	
11012A	11012-2185	CAP,BODY	1	
13168	13168-2003	LEVER,TICKLER	1	
13169	13169-2449	PLATE	1	
14020	14020-2009	RETAINER,VALVE	1	
14024	14024-2097	COVER,PUMP	1	
14025	14025-2027	COVER	1	
15003	15003-2080	CARBURETOR-ASSY.	1	
16002	16002-2004	ADJUSTER-CABLE	1	
16009	16009-2107	NEEDLE-JET,#A099	1	
16021	16021-2008	SCREW-THROTTLE STOP	1	
16025	16025-2087	VALVE-THROTTLE	1	
16030	16030-2074	VALVE-FLOAT	1	
16055	13168-2118	ARM-FLOAT	1	
16073	16073-2125	INSULATOR	1	
16126	16126-2007	VALVE,BREATHER	1	
43028	43028-2065	DIAPHRAGM	1	
43028A	43028-2066	DIAPHRAGM,PUMP	1	
49043	49043-2065	PUMP-PRIMING	1	
92009	92009-2053	SCREW	1	
92009A	92009-2057	SCREW	4	
92009B	92009-2061	SCREW	4	
92009C	16014-2007	SCREW,ADJUST	1	
92009D	92009-2211	SCREW,4X7	2	
92009E	92009-2249	SCREW,5X20	2	
92015	92015-2097	NUT,M5	2	
92015A	92015-2124	NUT	1	
92027	92027-2011	COLLAR	1	
92033	92033-2070	RING-SNAP	1	
92043	92043-2099	PIN	1	
92055	92055-2067	RING-O	1	
92081	92081-2249	SPRING	1	
92081A	92081-2272	SPRING	1	
92081B	92081-2247	SPRING	1	
92081C	92081-2248	SPRING,TICKLER	1	
92081D	92081-2339	SPRING	1	

E0170-2057A

Ref No.	Part No.	Part Name	Qty	B
	32099	CASE,JOINT	1	
	54012	CABLE-THROTTLE	1	

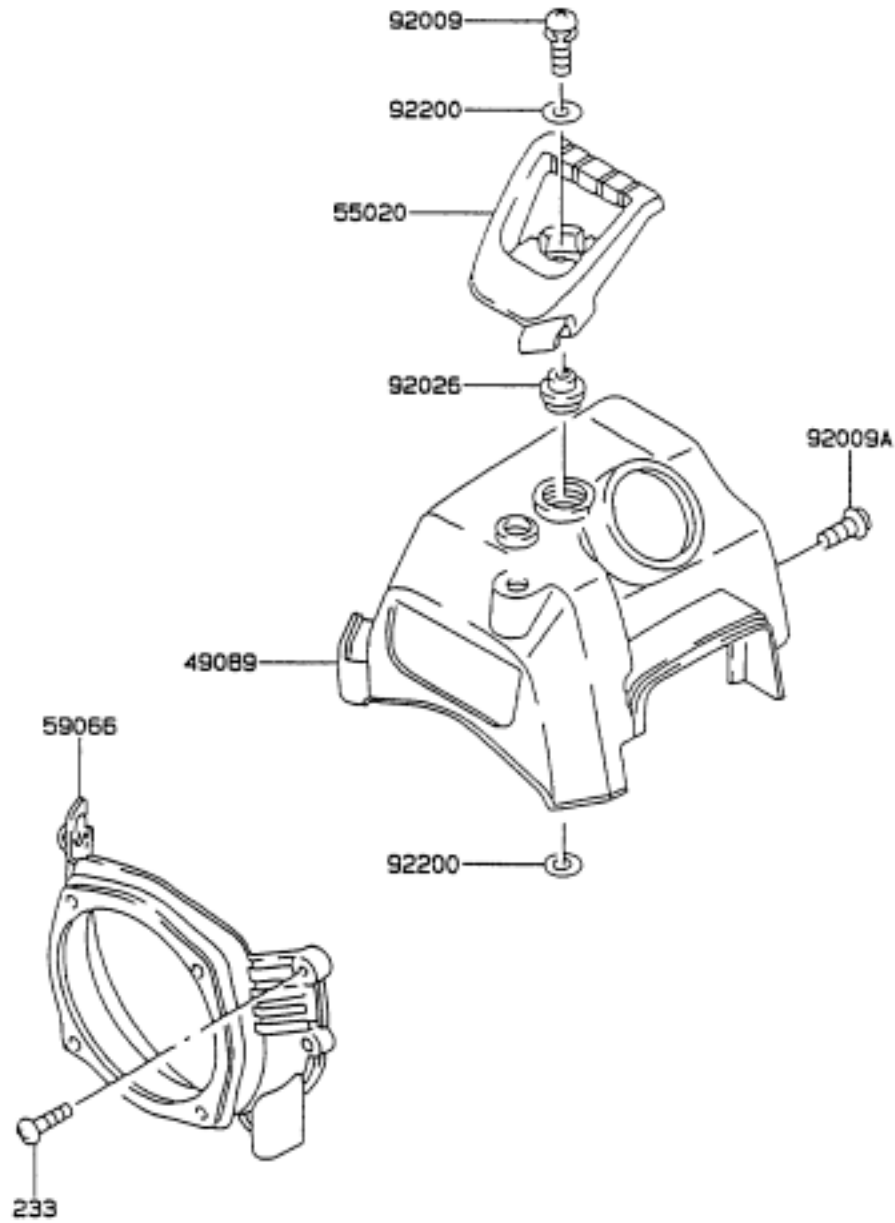




Ref No.	Part No.	Part Name	Qty	B
233	233B0408	SCREW-PAN-WP+-	1	
315	315B0800	NUT-HEX-FINE	1	
410	410B0800	W-PLAIN-S	1	
461	461F0800	WASHER-SPRING	1	
510	510A3100	KEY-WOODRUFF	1	
21050	21050-2186	FLYWHEEL	1	
21119	21119-2111	IGNITER	1	
21130	21130-2056	CAP-SPARK PLUG	1	
21169	21169-2051	TERMINAL	1	
21171	21171-2157	COIL-ASSY-IGNITION	1	
26011	26011-2113	WIRE-LEAD	1	
49006	49006-2051	BOOT	1	
92037	92037-2219	CLAMP	1	
92059	92059-2231	TUBE	1	
92070	92070-2051	PLUG-SPARK,BM6A(NGK)	1	
92071	92071-2117	GROMMET	1	
92071A	92071-2119	GROMMET	1	
92150	92150-2092	BOLT,5X20	2	



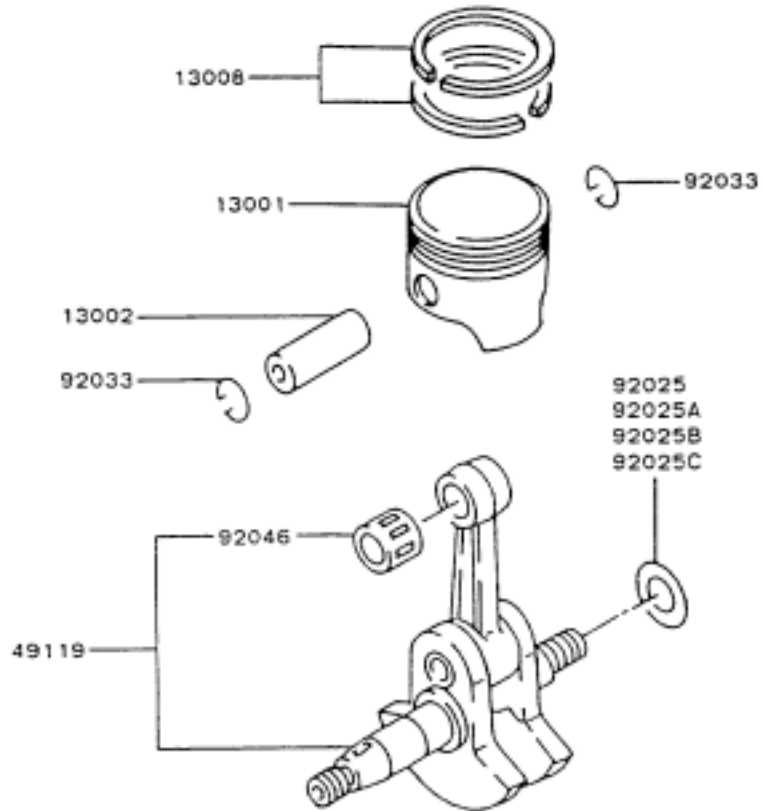
E0150-20598



Ref No.	Part No.	Part Name	Qty	B
233	233B0518	SCREW-PAN-WP+-	4	
49089	49089-2274	SHROUD-ENGINE	1	
55020	55020-2080	GUARD	1	
59066	59066-2403-9B	HOUSING-FAN	1	
92009	92009-2240	SCREW	1	
92009A	92009-2243	SCREW,5X10	1	
92026	92026-2174	SPACER	1	
92200	92200-2014	WASHER,5.5X13.8X2	2	

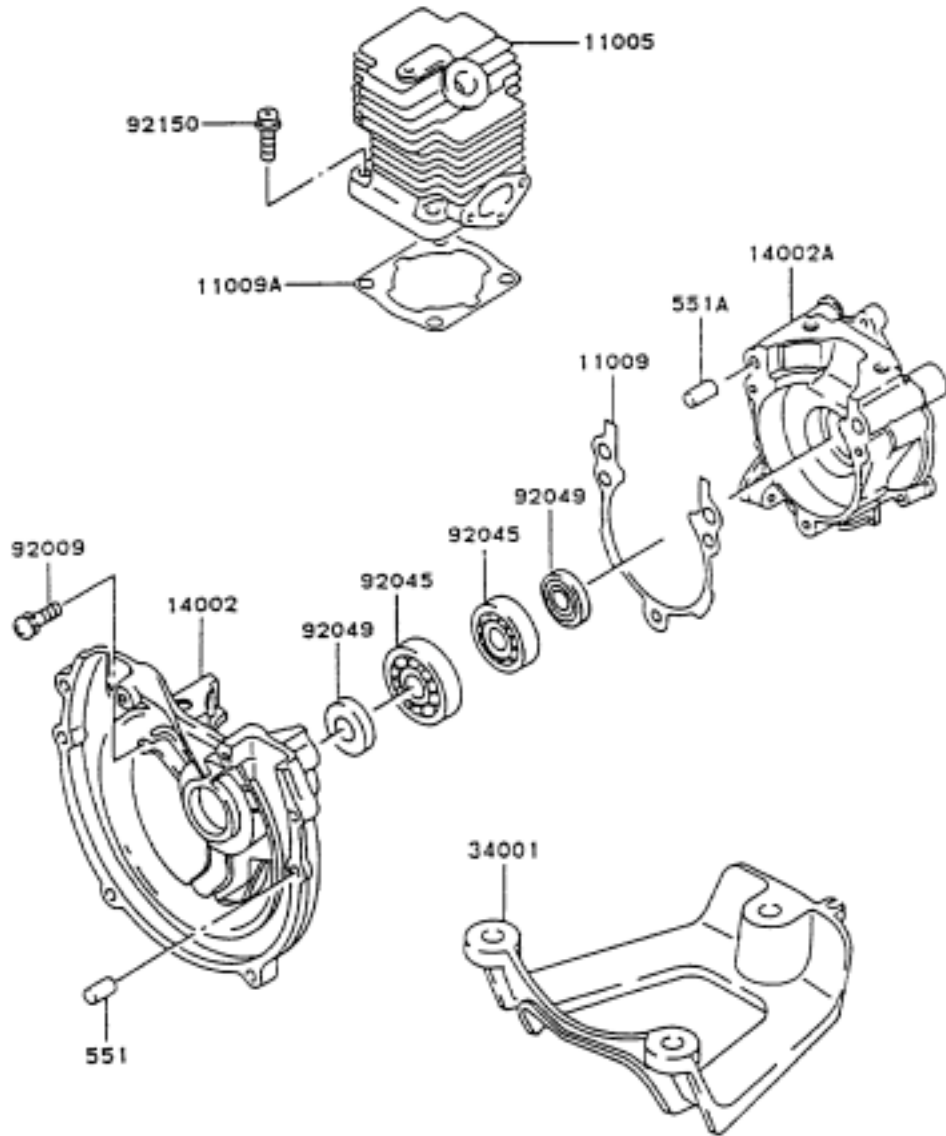
E0120-2045A

Ref No.	Part No.	Part Name	Qty	B
13001	13001-2112	PISTON-ENGINE	1	
13002	13002-2059	PIN-PISTON	1	
13008	13008-6045	RING-SET-PISTON	1	
49119	49119-6058	CRANKSHAFT-ASSY	1	
92025	92025-2103	SHIM,T=0.10	AR	
92025A	92025-2104	SHIM,T=0.20	AR	
92025B	92025-2105	SHIM,T=0.40	AR	
92025C	92025-2106	SHIM,T=0.60	AR	
92033	92033-2061	RING-SNAP	2	
92046	13033-2004	BEARING-NEEDLE	1	



E0110-2046A

Ref No.	Part No.	Part Name	Qty	B
551	551A0410	PIN-DOWEL	2	
551A	551A0610	PIN-DOWEL	2	
11005	11005-2110	CYLINDER-ENGINE	1	
11009	11009-2713	GASKET,CRANKCASE	1	
11009A	11009-2714	GASKET,CYLINDER	1	
14002	14002-2251	CRANKCASE	1	
14002A	14002-2252	CRANKCASE	1	
34001	34001-2077	STAND	1	
92009	92009-2115	SCREW	3	
92045	92045-2058	BEARING-BALL,6201C3	2	
92049	92049-2075	SEAL-OIL	2	
92150	92150-2091	BOLT	4	



Catalog No.	99911-Z697-00
Catalog Name	TG033D- C50
Charge No.	
Charge Name	
Print Maker No.	
Print Maker Name	
Production Date	
Sale Date	
Appointed Date	
Delivery Date	
Maintenance Date	
Registration Date	9/28/1998

Ref No.	Part No.	Part Name	Qty	B
56031	56031-2334	LABEL-MANUAL	1	
56038	56038-2420	LABEL-BRAND	1	
56039	56039-2221	LABEL-PRODUCT	1	
56040	56040-2235	LABEL-WARNING	1	

