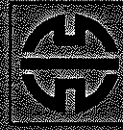
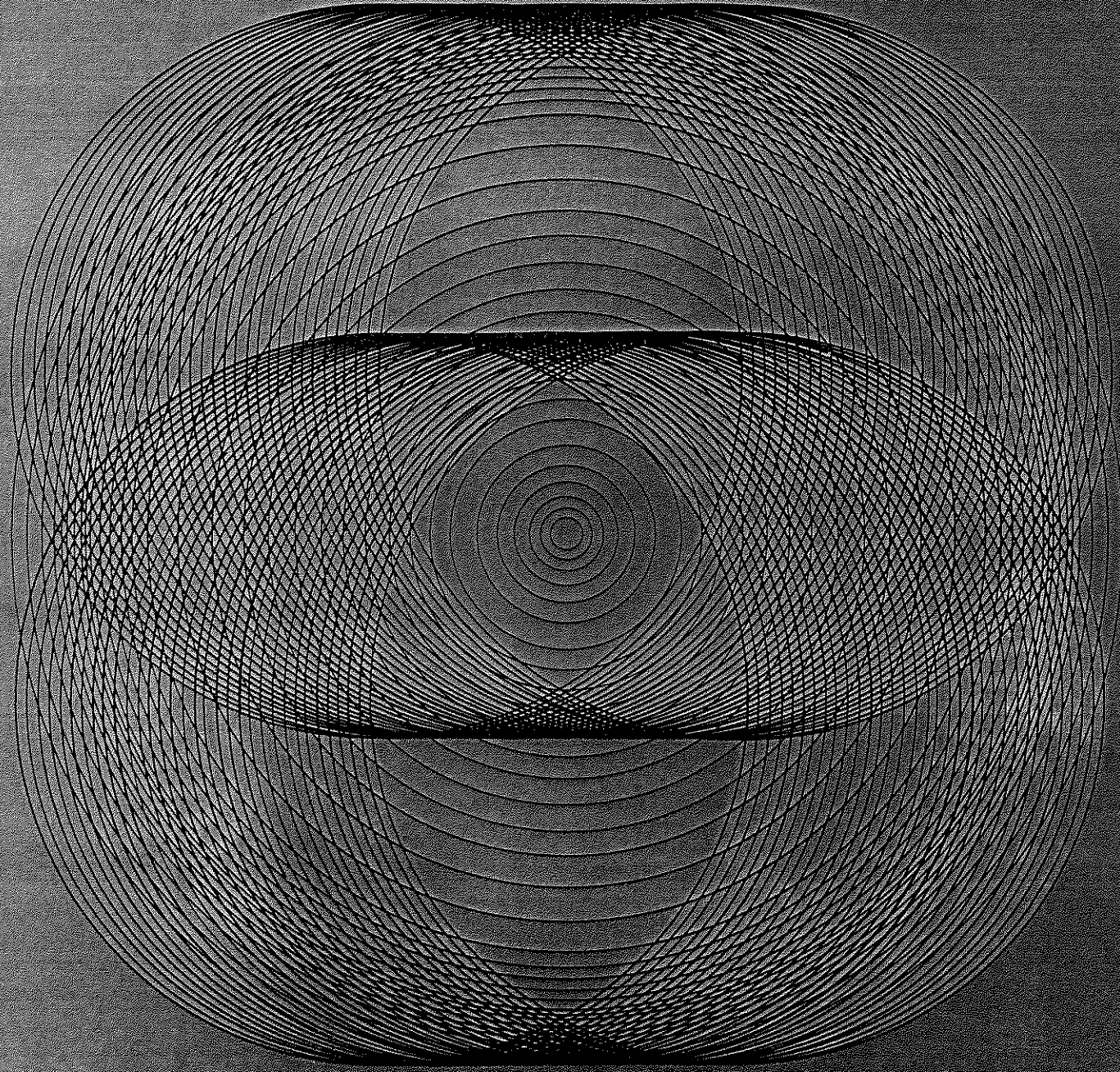


**KAWASAKI
KF53-A SERIES AIRCOOLED ENGINE
PARTS LIST**

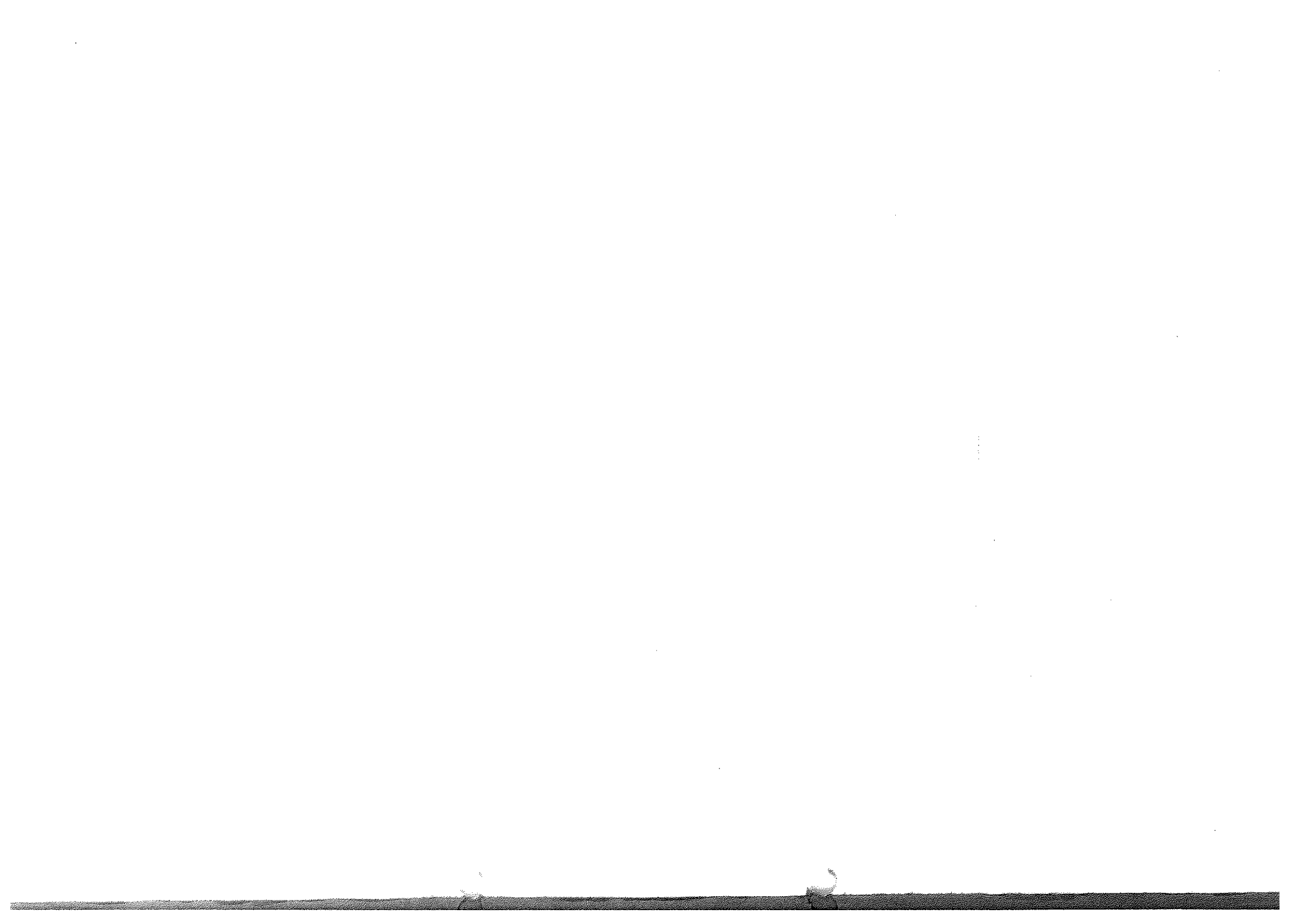


KAWASAKI

HEAVY INDUSTRIES, LTD.

ENGINE AND MOTORCYCLE GROUP





INDEX

Model	Model code	Page
KF53D-A	315419E	1
KF53DP-A	315412D	7
KF53DQ-A	315413D	9
KF53DU-A	315414B	11
KF53DPS-A	315416D	13
KF53DS-A	315423D	15
KF53D-A	315424D	17
KF53GS-A	315470E	19
KF53G-A	315450E	25

ASSEMBLY PARTS

Fig. A-1	AIR CLEANER	27
Fig. A-2	AIR CLEANER	28
Fig. C-1	CARBURETOR	29
Fig. F-1	FILTER	31
Fig. R-1	RECOIL STARTER	32

USE OF THIS PARTS LIST

1) Contents of Parts List

This Parts List has been prepared to cover specifications as well their exploded views for every specification of KAWASAKI Engine.

2) Utilizing Parts List

- ① Having reference to the model and code numbers of your engine, please locate number and name of desired part and determine required amount of parts per unit engine from the Parts List by the aid of exploded view and reference number of appropriate engine.
- ② For replacement parts of functional components, please determine referring to the notes in the column "Remarks".

3) Arrangement of Part Number and Indication of Component Parts

Example : Arrangement of Part Number

3	1	2	3	4	5	-	6	7	8	9	A				
3	1	2	3	4	5	-	6	7	8	9	0				
└───┬───┬───┬───┬───┬───┬───┬───┬───┬───┬───┬───┘				└───┬───┬───┬───┬───┬───┬───┬───┬───┬───┬───┘				└───┬───┬───┬───┬───┬───┬───┬───┬───┬───┬───┘							
Type Code				Classification Code				Composition Code				Part Change Code			
└───┬───┬───┬───┬───┬───┬───┬───┬───┬───┬───┬───┘												└───┬───┬───┬───┬───┬───┬───┬───┬───┬───┬───┘			
Model Code															

component parts building up a particular assembly are listed up with one dot mark (•) for each part and arranged one line under the assembly.
(For further subsectional parts, two dot marks (••) shall be prefixed.)

4) Ordering Parts

While all of the parts are under control of our computer system, parts order should be placed informing us of the engine model number, part number and part name in order to avoid mistakes in delivery.

5) Unit Price and Available Unit of Parts

Please place an order of parts as reasonable amount at one time.

Example - 1) Available unit of KIS Part (Bolt, Washer or the like) is ten pieces or more in one order.

Example - 2) That of gasket or the like five pieces or more.

6) Addition and Amendment

Whenever addition or amendment of parts is to be noticed to us, this should be necessarily made in written form.

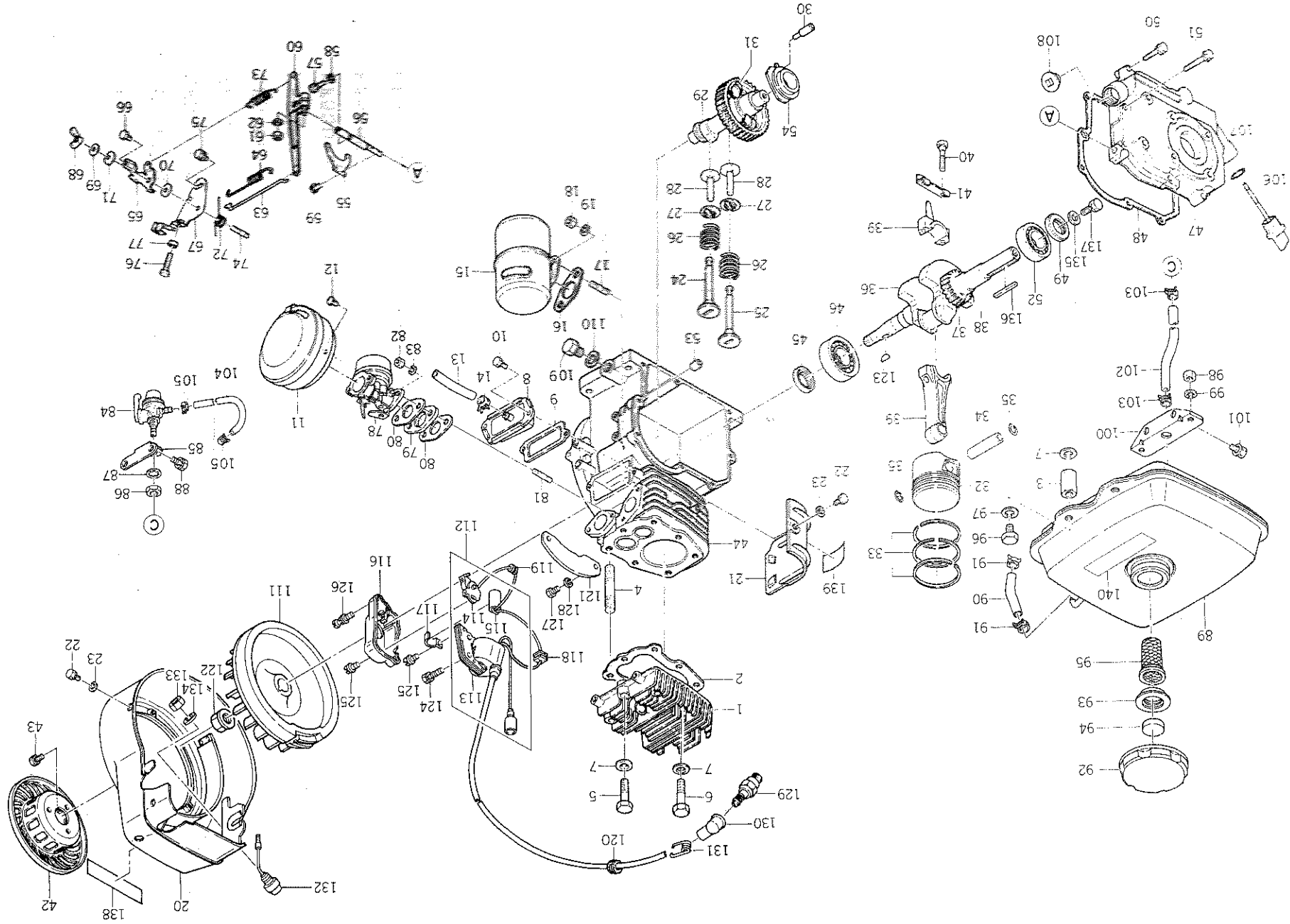
7) Genuine Parts

Be sure to use Kawasaki Genuine parts.

(Alternative use of sophisticated parts commercially available in the marked could lead to untimely break-down of the engine.)

8) **★★** *Marked parts in the "Remarks" column, are not always in stock, requiring considerable time for their delivery.*

KF53D-A 315419E



Ref. No.	Part No.	Part Name	Quantity	Remarks
1	315470-1111A	HEAD, cylinder	1	
2	314250-1121B	GASKET, head	1	
3	318291-1183-00	NUT, long	2	
4	314250-1185-00	STUD	2	
5	110G1040	BOLT (10x40)	1	
6	110G1045	BOLT (10x45)	4	
7	410B1000	WASHER	7	
8	315470-1231A	COVER, inspection	1	
9	314250-1232-00	GASKET	1	
10	180B0612	BOLT (6x12)	2	
11	315470-1310A	AIR CLEANER ASS'Y	1	See page 27 Fig. A-1
12	232B0510A	SCREW (5x10)	2	
13	700S071000	TUBE, vinyl	1	λ = 70mm
14	313679-1532-00	CLIP	1	
15	315419-1410A	MUFFLER ASS'Y	1	
16	314250-1442-00	GASKET	1	
17	171G0818	STUD	2	
18	311R0800A	NUT (8mm)	2	
19	461F0800	WASHER, spring	2	
20	315431-1611A	CASE, spiral	1	
21	315420-1632A	COVER, cylinder	1	
22	180B0612	BOLT (6x12)	5	
23	411B0600	WASHER	5	
24	315400-2111A	VALVE, inlet	1	
25	315470-2112A	VALVE, exhaust	1	
26	315470-2113A	SPRING, valve	2	
27	315470-2116A	SEAT, spring	2	
28	314250-2211-00	TAPPET	2	
29	315420-2300A	CAM GEAR ASS'Y	1	
30	313501-5115-00	•PIN, guide	1	
31	314201-5110-00	•GOVERNOR ASS'Y	1	
32	314250-3111-06	PISTON	1	
33	315470-3010A	PISTON RING SET	1	
34	315470-3121A	PIN, piston	1	
35	313252-3122-00	RING, snap	2	
36	315419-3210B	CRANK SHAFT ASS'Y	1	
37	314201-3217-00	•GEAR, crank	1	
38	313252-2371-00	•KEY	1	
39	314250-3240-00	CONNECTING ROD ASS'Y	1	
40	315470-3245A	•BOLT, connecting rod	2	
41	313550-3248-00	WASHER, lock	1	
42	315419-3411A	PULLEY, starting	1	
43	180B0612	BOLT (6x12)	3	
44	315420-4110B	CRANK CASE ASS'Y	1	
45	314401-4231B	SEAL, oil	1	
46	601A6305	BEARING, ball (6305)	1	
47	315420-4121A	SIDE BASE	1	

KF53D-A 315419E

Ref. No.	Part No.	Part Name	Quantity	Remarks
48	314250-4124-00	GASKET	1	
49	314250-4235-00	SEAL, oil	1	
50	186B0632	BOLT (6x32)	6	
51	186B0642	BOLT (6x42)	2	
52	601A6205	BEARING, ball (6205)	1	
53	552B1012	PIN, dowel	2	
54	314250-5121-00	SLEEVE, governor	1	
55	314250-5122-00	TIP, governor	1	
56	314250-5123-00	SHAFT, governor	1	
57	315470-5124A	BOLT	1	
58	315192-1233-00	GASKET	1	
59	232B0406A	SCREW (4x6)	2	
60	315470-5211A	ARM, governor	1	
61	311B0600	NUT (6mm)	1	
62	461F0600A	WASHER, spring	1	
63	315470-5231A	LINK, governor	1	
64	314250-5232-00	SPRING, link	1	
65	315470-5310A	CONTROL LEVER ASS'Y	1	
66	112B0508	BOLT (5x8)	1	
67	315470-5331A	PLATE, control	1	
68	315470-5312A	NUT, wing	1	
69	311702-3591-00	WASHER	1	
70	314401-5383A	WASHER	1	
71	314401-5388A	SPRING	1	
72	315470-5317A	SPRING, return	1	
73	313650-5314-00	SPRING, governor	1	
74	171G0622	STUD	1	
75	187B0612	BOLT (6x12)	1	
76	313640-5382-00	BOLT	1	
77	312B0600	NUT (6mm)	1	
78	315470-6100E	CARBURETOR ASS'Y	1	See page 29 Fig. C-1
79	315192-6181A	INSULATOR	1	
80	315470-6184A	GASKET	2	
81	171G0622	STUD	2	
82	312B0600	NUT (6mm)	2	
83	411B0600	WASHER	2	
84	313650-6510-02	FILTER ASS'Y	1	See page 31 Fig. F-1
85	316430-6561B	BRACKET, filler	1	
86	313650-6527-00	NUT	1	
87	463H1000	WASHER, toothed	1	
88	180B0814	BOLT (8x14)	2	
89	314250-6610B	FUEL TANK ASS'Y	1	
90	313640-6811B	.TUBE	1	
91	312740-6812-00	.CLIP	2	
92	318290-6641-00	.CAP, tank	1	
93	318290-6643-02	.GASKET	1	
94	318290-6646-00	.BREATHER	1	

KF53D-A 315419E

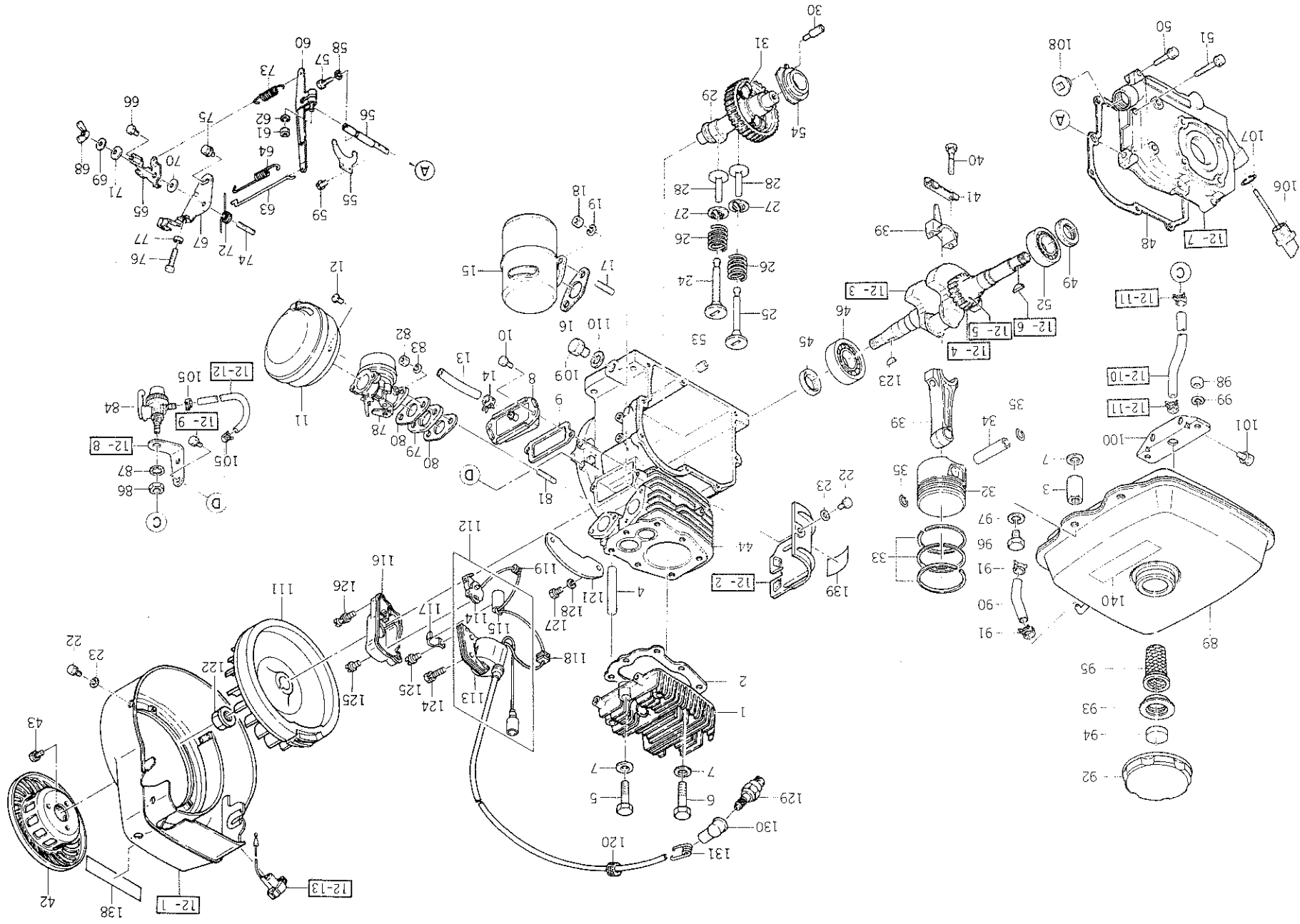
Ref. No.	Part No.	Part Name	Quantity	Remarks
95	313592-6661-00	•STRAINER, fuel	1	
96	315470-6678A	BOLT	2	
97	461F1000A	WASHER, spring	2	
98	311B0800A	NUT (8mm)	2	
99	461F0800	WASHER, spring	2	
100	314250-6711-00	BRACKET, tank	1	
101	182B0814	BOLT (8x14)	2	
102	702A071000	TUBE, rubber	1	λ=150mm
103	313679-1532-00	CLIP	2	
104	702A041000	TUBE, rubber	1	λ=310mm
105	313679-6812-00	CLIP	2	
106	313650-7411B	GAUGE, oil	1	
107	315192-7432-00	O-RING	1	
108	317220-7431-00	PLUG, oil filler	1	
109	315470-7441A	PLUG, drain	2	
110	315470-7214A	GASKET	2	
111	315420-8111A	FLYWHEEL	1	
112	315420-8103B	IGNITION COIL ASS'Y	1	<i>NG</i>
113	315420-8123A	•COIL, ignition	1	<i>NG</i>
114	315320-8440-00	•BREAKER, contact	1	<i>17000.0001</i>
115	314401-8436A	•CONDENSER	1	<i>NG</i>
116	315470-8439A	COVER, breaker	1	
117	314401-8129A	CLAMP	1	
118	314401-8164A	GROMMET	1	
119	315470-8164A	GROMMET	1	
120	313646-8164-00	GROMMET	1	
121	315470-8468B	PLATE	1	
122	315470-3481A	NUT	1	
123	313650-2371-00	KEY	1	
124	180B0520	BOLT (5x20)	2	
125	242B0410A	SCREW (4x10)	2	
126	242B0420	SCREW (4x20)	2	
127	112B0508	BOLT (5x8)	2	
128	461F0500A	WASHER, spring	2	
129	312200-8410-00	PLUG, spark (NGK B6HS)	1	
130	317270-8418A	CAP, plug	1	
131	317270-8419A	SPRING	1	
132	318222-8511-02	SWITCH, stop	1	
133	312B0800A	NUT (8mm)	1	
134	461F0800	WASHER, spring	1	
135	313252-2383-00	WASHER, pulley	1	
136	313602-3272-00	KEY	1	
137	180B0825	BOLT (8x25)	1	
138	315470-0811A	LABEL, mark	1	★★
139	315420-0813A	LABEL, horse power	1	★★
140	315470-0851A	LABEL	1	★★

KF53D-A 315419E

Ref. No.	Part No.	Part Name	Quantity	Remarks
ACCESSORY				
	315370-0900-00	TOOL ASS'Y	1	★★
	318290-0915-00	•OPEN END WRENCH (10x13)	1	★★
	318290-0931-00	•WRENCH, socket (10x13)	1	★★
	315120-0934-00	•WRENCH, socket (17x21)	1	★★
	315120-0945-00	•BAR	1	★★
	313550-0951-00	•DRIVER	1	★★
	315192-0971-00	•ROPE, starting	1	
	311220-0972-00	•GAUGE, thickness	1	★★

MEMO

KF53DP-A 315412D



KF53DP-A 315412D

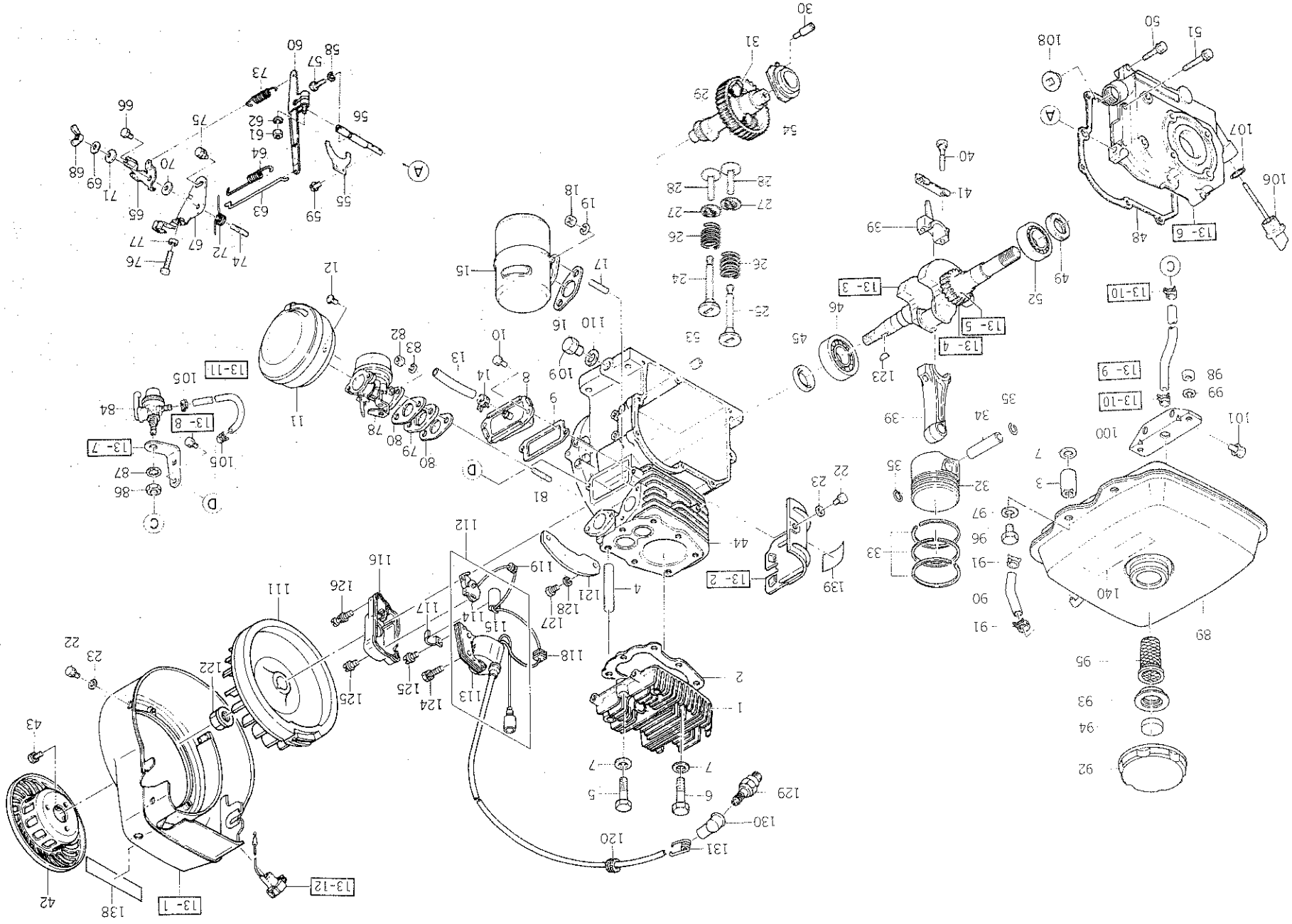
Ref. No.	Part No.	Part Name	Quantity	Remarks
[EXCLUSIVE PARTS FOR KF53DP-A]				
12- 1	315418-1611C	CASE, spiral	1	
12- 2	315440-1632A	COVER, cylinder	1	
12- 3	315412-3210B	CRANK SHAFT ASS'Y	1	
12- 4	314201-3217-00	•GEAR, crank	1	
12- 5	313252-2371-00	•KEY	1	
12- 6	313603-3282-00	KEY	1	
12- 7	315422-4121A	SIDE BASE	1	
12- 8	315470-6561A	BRACKET, filter	1	
12- 9	180B0612	BOLT (6x12)	2	
12-10	703A071000	TUBE, rubber	1	ℓ=340mm
12-11	317196-6812-00	CLIP	2	
12-12	702A041000	TUBE, rubber	1	ℓ=195mm
12-13	314401-8511B	SWITCH, stop	1	

For common parts not listed here, see page 2 ~ 5 KF53D-A (315419E).

ACCESSORY

315419-0900A	TOOL ASS'Y	1	★★
315120-0934-00	•WRENCH, socket (17x21)	1	★★
315120-0945-00	•BAR	1	★★
315192-0971-00	•ROPE, starting	1	

KF53DQ-A 315413D



KF53DQ-A 315413D

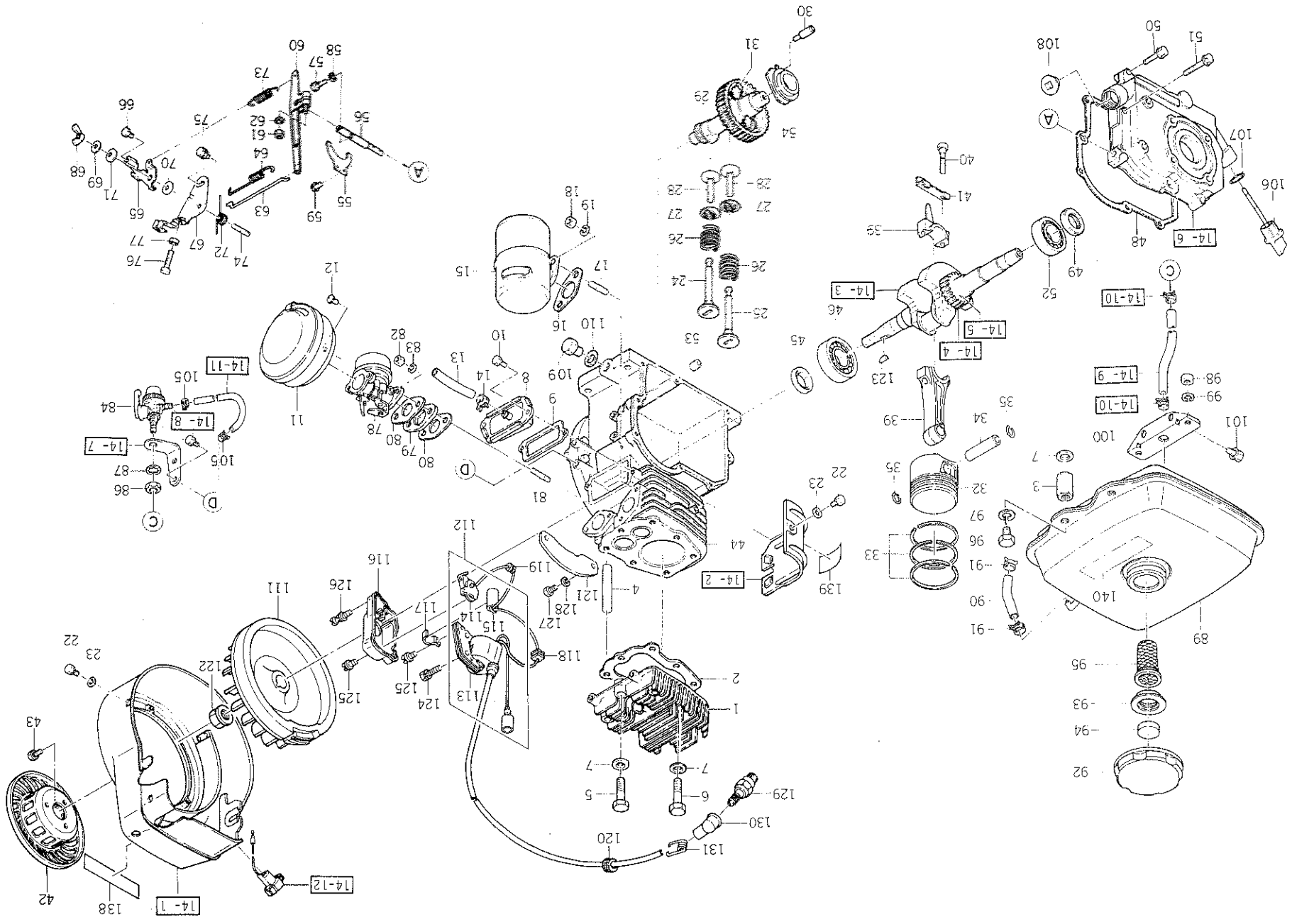
Ref. No.	Part No.	Part Name	Quantity	Remarks
[EXCLUSIVE PARTS FOR KF53DQ-A]				
13- 1	315418-1611C	CASE, spiral	1	
13- 2	315440-1632A	COVER, cylinder	1	
13- 3	315413-3210B	CRANK SHAFT ASS'Y	1	
13- 4	314201-3217-00	•GEAR, crank	1	
13- 5	313252-2371-00	•KEY	1	
13- 6	315422-4121A	SIDE BASE	1	
13- 7	315470-6561A	BRACKET, filter	1	
13- 8	180B0612	BOLT (6x12)	2	
13- 9	703A071000	TUBE, rubber	1	λ=340mm
13-10	317196-6812-00	CLIP	2	
13-11	702A041000	TUBE, rubber	1	λ=195mm
13-12	314401-8511B	SWITCH, stop	1	

For common parts not listed here, see page 2 ~ 5 KF53D-A (315419E).

ACCESSORY

315419-0900A	TOOL ASS'Y	1	★★
315120-0934-00	•WRENCH, socket (17x21)	1	★★
315120-0945-00	•BAR	1	★★
315192-0971-00	•ROPE, starting	1	

KF53DU-A 315414B



KF53DU-A 315414B

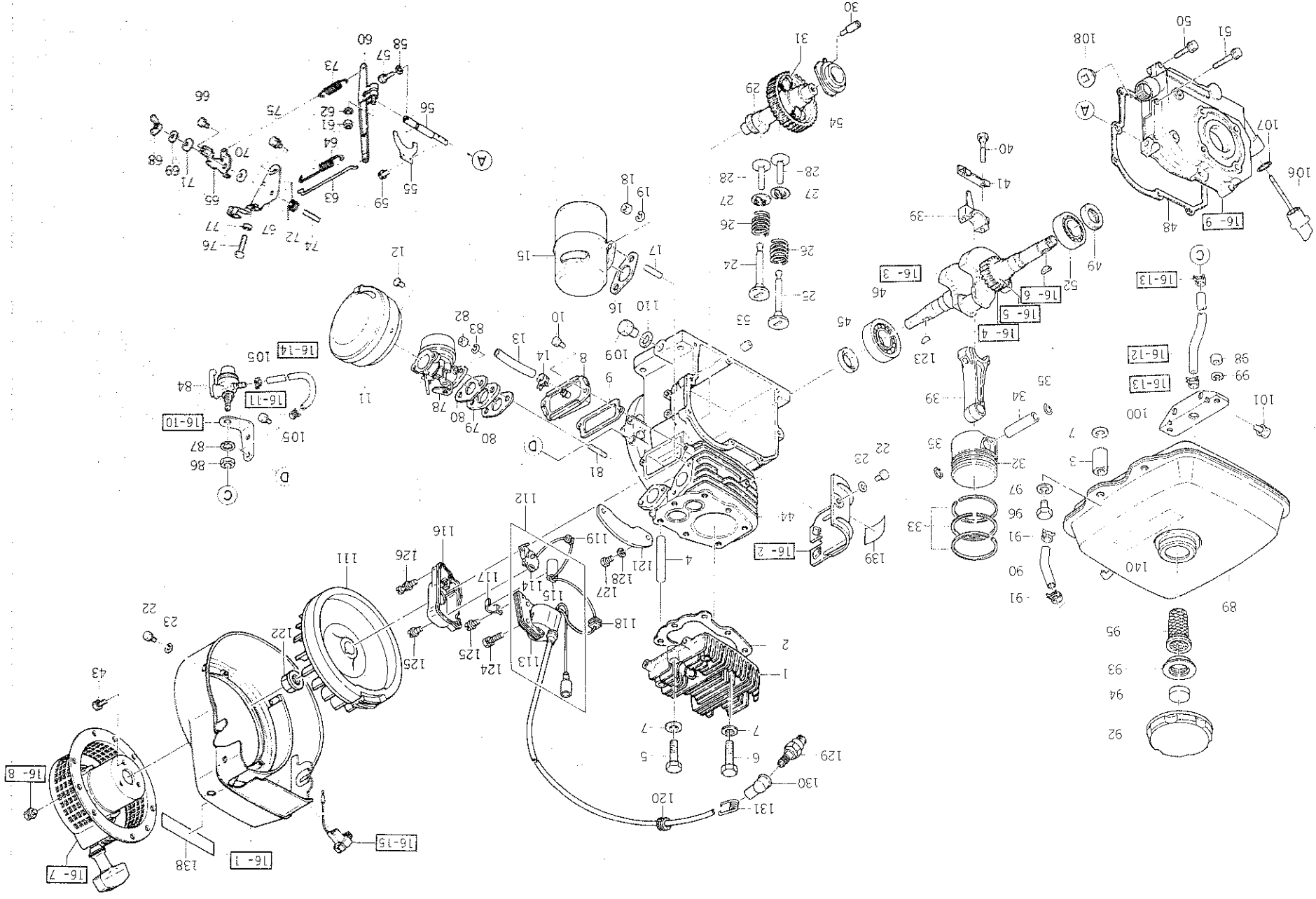
Ref. No.	Part No.	Part Name	Quantity	Remarks
[EXCLUSIVE PARTS FOR KF53DU-A]				
14- 1	315418-1611C	CASE, spiral	1	
14- 2	315440-1632A	COVER, cylinder	1	
14- 3	315414-3210B	CRANK SHAFT ASS'Y	1	
14- 4	314201-3217-00	•GEAR, crank	1	
14- 5	313252-2371-00	•KEY	1	
14- 6	315422-4121A	SIDE BASE	1	
14- 7	315470-6561A	BRACKET, filter	1	
14- 8	180B0612	BOLT (6x12)	2	
14- 9	703A071000	TUBE, rubber	1	ℓ=340mm
14-10	317196-6812-00	CLIP	2	
14-11	702A041000	TUBE, rubber	1	ℓ=195mm
14-12	314401-8511B	SWITCH, stop	1	

For common parts not listed here, see page 2 ~ 5 KF53D-A (315419E).

ACCESSORY

315419-0900A	TOOL ASS'Y	1	★★
315120-0934-00	•WRENCH, socket (17x21)	1	★★
315120-0945-00	•BAR	1	★★
315192-0971-00	•ROPE, starting	1	

KF53DPS-A 315416D



KF53DPS-A 315416D

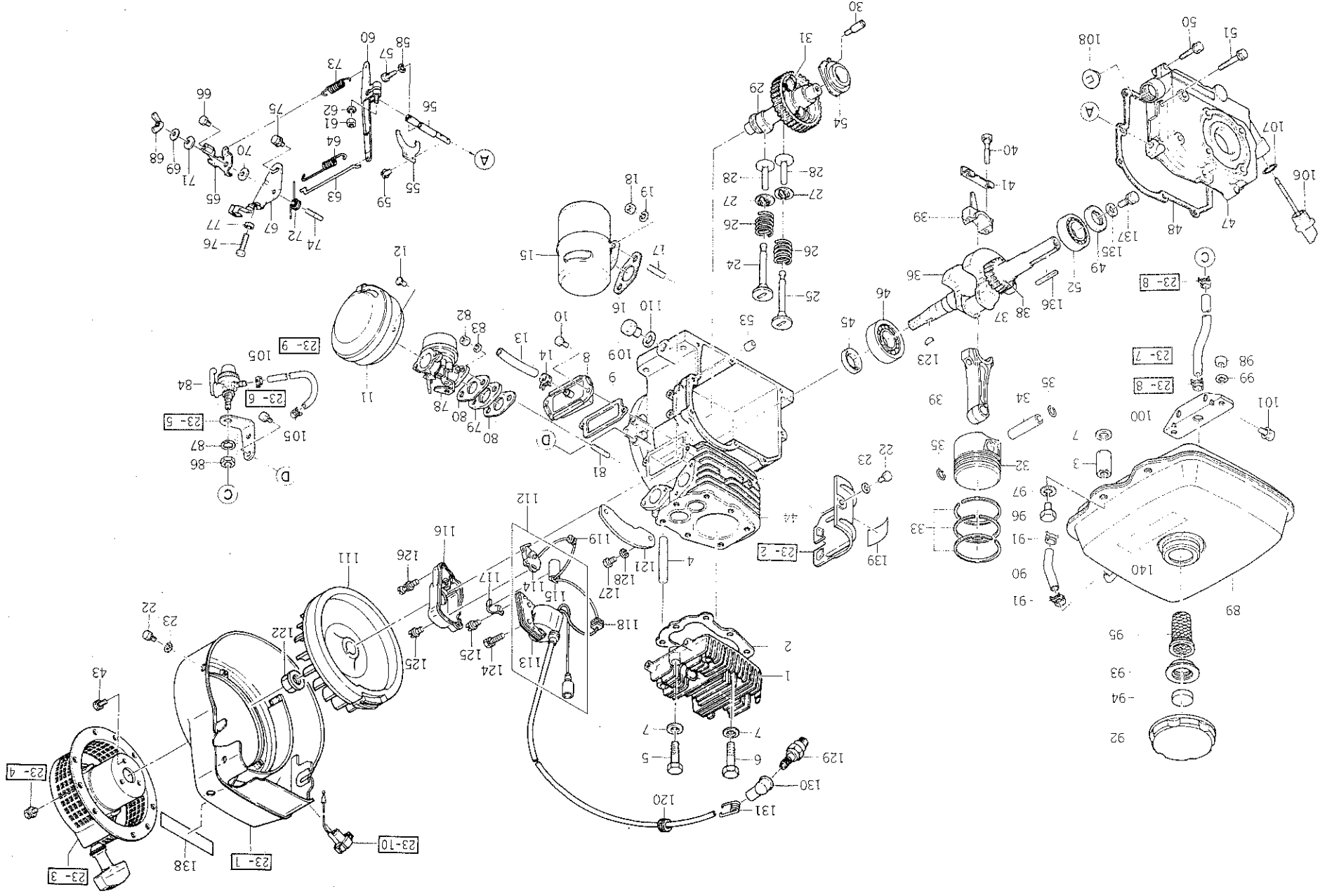
Ref. No.	Part No.	Part Name	Quantity	Remarks
[EXCLUSIVE PARTS FOR KF53DPS-A]				
16- 1	315418-1611C	CASE, spiral	1	
16- 2	315440-1632A	COVER, cylinder	1	
16- 3	315412-3210B	CRANK SHAFT ASS'Y	1	
16- 4	314201-3217-00	•GEAR, crank	1	
16- 5	313252-2371-00	•KEY	1	
16- 6	313603-3282-00	KEY	1	See page 32
16- 7	315420-3430A	RECOIL STARTER ASS'Y	1	Fig. R-1
16- 8	187B0610	BOLT (6x10)	3	
16- 9	315422-4121A	SIDE BASE	1	
16-10	315470-6561A	BRACKET, filter	1	
16-11	180B0612	BOLT (6x12)	2	ℓ=340mm
16-12	703A071000	TUBE, rubber	1	
16-13	317196-6812-00	CLIP	2	
16-14	702A041000	TUBE, rubber	1	ℓ=195mm
16-15	314401-8511B	SWITCH, stop	1	

For common parts not listed here, see page 2 ~ 5 KF53D-A (315419E).

ACCESSORY

315470-0900A	TOOL ASS'Y	1	★★
315120-0934-00	•WRENCH, socket (17x21)	1	★★
315120-0945-00	•BAR	1	★★

KF53DS-A 315423D

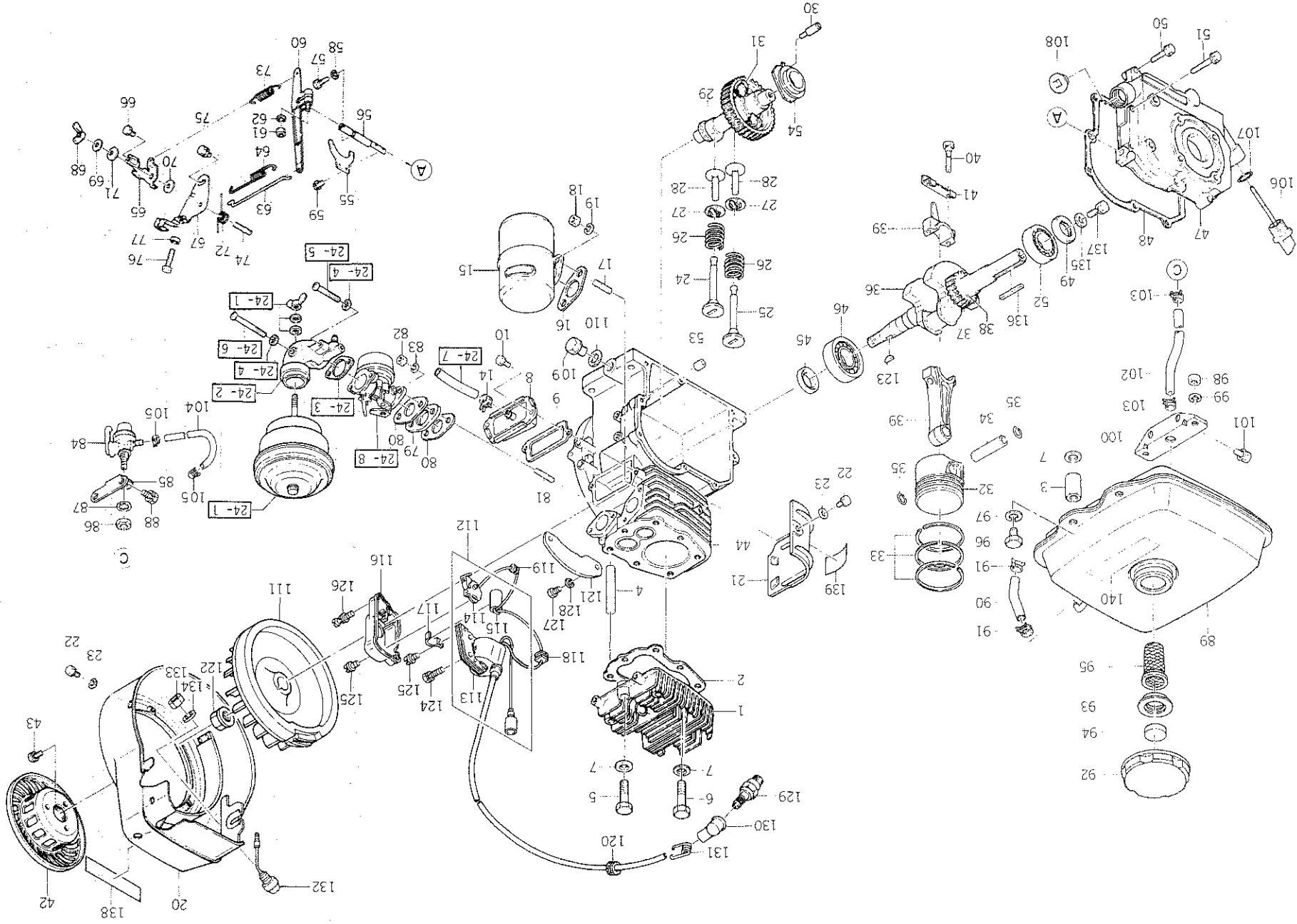


KF53DS-A 315423D

Ref. No.	Part No.	Part Name	Quantity	Remarks
[EXCLUSIVE PARTS FOR KF53DS-A]				
23- 1	315418-1611C	CASE, spiral	1	
23- 2	315440-1632A	COVER, cylinder	1	
23- 3	315420-3430A	RECOIL STARTER ASS'Y	1	See page 32 Fig. R-1
23- 4	187B0610	BOLT (6x10)	3	
23- 5	315470-6561A	BRACKET, filter	1	
23- 6	180B0612	BOLT (6x12)	2	
23- 7	703A071000	TUBE, rubber	1	ℓ=340mm
23- 8	317196-6812-00	CLIP	2	
23- 9	702A041000	TUBE, rubber	1	ℓ=195mm
23-10	314401-8511B	SWITCH, stop	1	

For common parts not listed here, see page 2 ~ 5 KF53D-A (315419E).

KF53D-A 315424D



KF53D-A 315424D

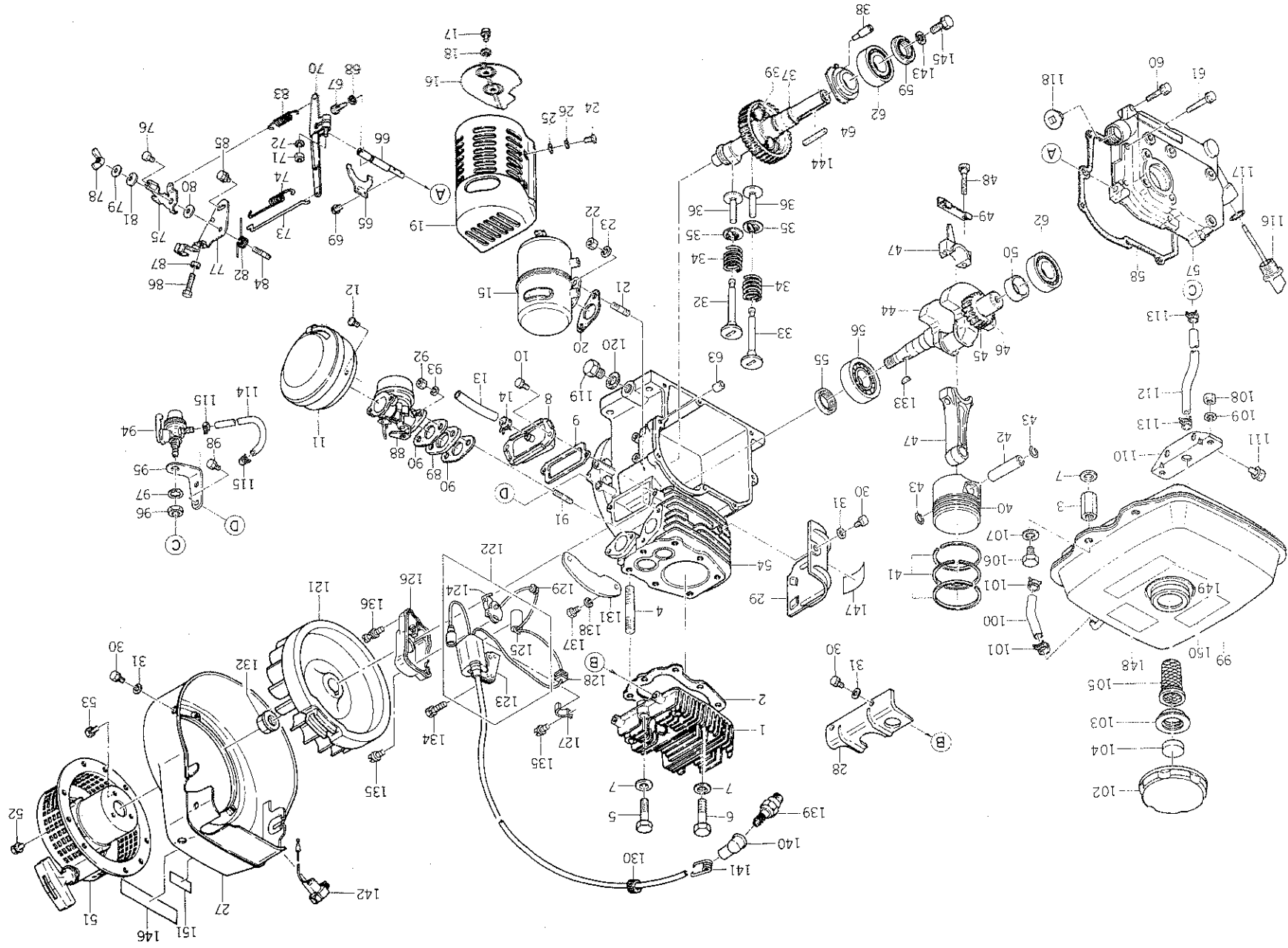
Ref. No.	Part No.	Part Name	Quantity	Remarks
[EXCLUSIVE PARTS FOR KF53D-A (315424D)]				
24- 1	313652-1310-00	AIR CLEANER ASS'Y	1	See page 28 Fig. A-2
24- 2	314224-1331-00	PIPE, inlet	1	
24- 3	314251-1332-00	GASKET	1	
24- 4	316442-1381-00	WASHER	2	
24- 5	214B0535	SCREW (5x35)	1	
24- 6	214B0550	SCREW (5x50)	1	
24- 7	700S071000	TUBE, vinyl	1	λ=85mm See page 29 Fig. C-1
24- 8	315411-6100C	CARBURETOR ASS'Y	1	

For common parts not listed here, see page 2 ~ 5 KF53D-A (315419E).

ACCESSORY

315370-0900-00	TOOL ASS'Y	1	★★
318290-0915-00	.OPEN END WRENCH (10x13)	1	★★
318290-0931-00	.WRENCH, socket (10x13)	1	★★
315120-0934-00	.WRENCH, socket (17x21)	1	★★
315120-0945-00	.BAR	1	★★
313550-0951-00	.DRIVER	1	★★
315192-0971-00	.ROPE, starting	1	
311220-0972-00	.GAUGE, thickness	1	★★

KF53GS-A 315470E



Ref. No.	Part No.	Part Name	Quantity	Remarks
1	315470-1111A	HEAD, cylinder	1	
2	314250-1121B	GASKET, head	1	
3	318291-1183-00	NUT, long	2	
4	314250-1185-00	STUD	2	
5	110G1040	BOLT (10x40)	1	
6	110G1045	BOLT (10x45)	4	
7	410B1000	WASHER	7	
8	315470-1231A	COVER, inspection	1	
9	314250-1232-00	GASKET	1	
10	180B0612	BOLT (6x12)	2	
11	315470-1310A	AIR CLEANER ASS'Y	1	See page 27 Fig. A-1
12	232B0510A	SCREW (5x10)	2	
13	700S071000	TUBE, vinyl	1	ℓ=70mm
14	313679-1532-00	CLIP	1	
15	315470-1400A	MUFFLER ASS'Y	1	
16	315470-1432A	•COVER, muffler	1	
17	315470-1482A	•SCREW	2	
18	461F0600A	•WASHER, spring	2	
19	315470-1431A	COVER, muffler	1	
20	314250-1442-00	GASKET	1	
21	171G0818	STUD	2	
22	311R0800A	NUT (8mm)	2	
23	461F0800	WASHER, spring	2	
24	110R0610	BOLT (6x10)	3	
25	411B0600	WASHER	3	
26	461F0600A	WASHER, spring	3	
27	315440-1611B	CASE, spiral	1	
28	315370-1631-00	COVER, cylinder head	1	
29	315440-1632A	COVER, cylinder	1	
30	180B0612	BOLT (6x12)	6	
31	411B0600	WASHER	6	
32	315400-2111A	VALVE, inlet	1	
33	315470-2112A	VALVE, exhaust	1	
34	315470-2113A	SPRING, valve	2	
35	315470-2116A	SEAT, spring	2	
36	314250-2211-00	TAPPET	2	
37	315470-2310A	CAM GEAR ASS'Y	1	
38	313501-5115-00	•PIN, guide	1	
39	314201-5110-00	•GOVERNOR ASS'Y	1	
40	314250-3111-06	PISTON	1	
41	315470-3010A	PISTON RING SET	1	
42	315470-3121A	PIN, piston	1	
43	313252-3122-00	RING, snap	2	
44	315470-3210C	CRANK SHAFT ASS'Y	1	
45	314250-3217-00	•GEAR, crank	1	
46	313252-2371-00	•KEY	1	
47	314250-3240-00	CONNECTING ROD ASS'Y	1	

Ref.No.	Part No.	Part Name	Quantity	Remarks
48	315470-3245A	•BOLT, connecting rod	2	
49	313550-3248-00	WASHER, lock	1	
50	315470-3261A	COLLAR, crank shaft	1	
51	315470-3430A	RECOIL STARTER ASS'Y	1	See page 32 Fig. R-1
52	187B0610	BOLT (6x10)	3	
53	180B0612	BOLT (6x12)	3	
54	315470-4110B	CRANK CASE ASS'Y	1	
55	314401-4231B	SEAL, oil	1	
56	601A6305	BEARING, ball (6305)	1	
57	315470-4121A	SIDE BASE	1	
58	314250-4124-00	GASKET	1	
59	314250-4235-00	SEAL, oil	1	
60	186B0632	BOLT (6x32)	6	
61	186B0642	BOLT (6x42)	2	
62	601A6205	BEARING, ball (6205)	2	
63	552B1012	PIN, dowel	2	
64	314250-5121-00	SLEEVE, governor	1	
65	314250-5122-00	TIP, governor	1	
66	314250-5123-00	SHAFT, governor	1	
67	315470-5124A	BOLT	1	
68	315192-1233-00	GASKET	1	
69	232B0406A	SCREW (4x6)	2	
70	315470-5211A	ARM, governor	1	
71	311B0600	NUT (6mm)	1	
72	461F0600A	WASHER, spring	1	
73	315470-5231A	LINK, governor	1	
74	314250-5232-00	SPRING, link	1	
75	315470-5310A	CONTROL LEVER ASS'Y	1	
76	112B0508	BOLT (5x8)	1	
77	315470-5331A	PLATE, control	1	
78	315470-5312A	NUT, wing	1	
79	311702-3591-00	WASHER	1	
80	314401-5383A	WASHER	1	
81	314401-5388A	SPRING	1	
82	315470-5317A	SPRING, return	1	
83	313650-5314-00	SPRING, governor	1	
84	171G0622	STUD	1	
85	187B0612	BOLT (6x12)	1	
86	313640-5382-00	BOLT	1	
87	312B0600	NUT (6mm)	1	See page 29 Fig. C-1
88	315470-6100E	CARBURETOR ASS'Y	1	
89	315192-6181A	INSULATOR	1	
90	315470-6184A	GASKET	2	
91	171G0622	STUD	2	
92	312B0600	NUT (6mm)	2	
93	411B0600	WASHER	2	
94	313650-6510-02	FILTER ASS'Y	1	See page 31 Fig. F-1

KF53GS-A 315470E

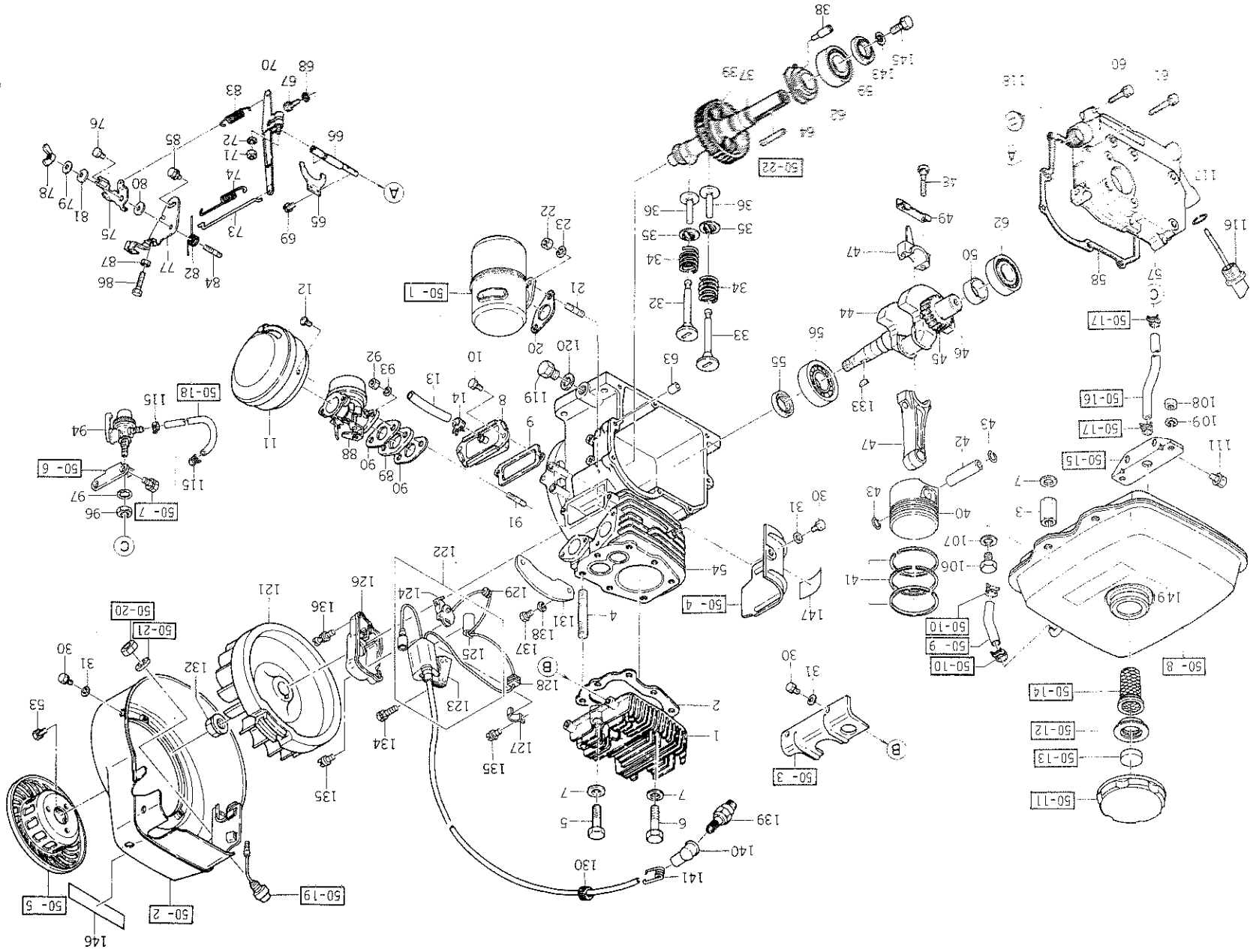
Ref. No.	Part No.	Part Name	Quantity	Remarks
95	315470-6561A	BRACKET, filter	1	
96	313650-6527-00	NUT	1	
97	463H1000	WASHER, toothed	1	
98	180B0612	BOLT (6x12)	2	
99	315370-6610B	FUEL TANK ASS'Y	1	
100	313640-6811B	•TUBE	1	
101	312740-6812-00	•CLIP	2	
102	318290-6641-00	•CAP, tank	1	
103	318290-6643-02	•GASKET	1	
104	318290-6646-00	•BREATHER	1	
105	313592-6661-00	•STRAINER, fuel	1	
106	315470-6678A	BOLT	2	
107	461F1000A	WASHER, spring	2	
108	311B0800A	NUT (8mm)	2	
109	461F0800	WASHER, spring	2	
110	315370-6711-00	BRACKET, tank	1	
111	182B0814	BOLT (8x14)	2	
112	703A071000	TUBE, rubber	1	ℓ = 340mm
113	317196-6812-00	CLIP	2	
114	702A041000	TUBE, rubber	1	ℓ = 195mm
115	313679-6812-00	CLIP	2	
116	313650-7411B	GAUGE, oil	1	
117	315192-7432-00	O-RING	1	
118	317220-7431-00	PLUG, oil filler	1	
119	315470-7441A	PLUG, drain	2	
120	315470-7214A	GASKET	2	
121	315470-8111A	FLYWHEEL	1	
122	315470-8103A	IGNITION COIL ASS'Y	1	2777-2000
123	315470-8123A	•COIL, ignition	1	
124	315320-8440-00	•BREAKER, contact	1	
125	314401-8436A	•CONDENSER	1	
126	315470-8439A	COVER, breaker	1	
127	314401-8129A	CLAMP	1	
128	314401-8164A	GROMMET	1	
129	315470-8164A	GROMMET	1	
130	313646-8164-00	GROMMET	1	
131	315470-8468B	PLATE	1	
132	315470-3481A	NUT	1	
133	313650-2371-00	KEY	1	
134	180B0520	BOLT (5x20)	2	
135	242B0410A	SCREW (4x10)	2	
136	242B0420	SCREW (4x20)	2	
137	112B0508	BOLT (5x8)	2	
138	461F0500A	WASHER, spring	2	
139	312200-8410-00	PLUG, spark (NGK B6HS)	1	
140	317270-8418A	CAP, plug	1	
141	317270-8419A	SPRING	1	

KF53GS-A 315470E

Ref. No.	Part No.	Part Name	Quantity	Remarks
142	314401-8511B	SWITCH, stop	1	
143	313252-2383-00	WASHER, pulley	1	
144	511A0540	KEY	1	
145	180B0825	BOLT (8x25)	1	
146	315470-0811A	LABEL, mark	1	★★
147	315470-0813A	LABEL, horse power	1	★★
148	312750-0851-00	LABEL	1	★★
149	315470-0851A	LABEL	1	★★
150	312740-0822-00	LABEL	1	★★
151	312760-0834-00	LABEL	1	★★
ACCESSORY				
	311920-0900A	TOOL ASS'Y	1	★★
	314490-0931A	• WRENCH, socket (19x21)	1	★★
	311920-0951A	• DRIVER	1	★★

MEMO

KF53G-A 315450E



KF53G-A 315450E

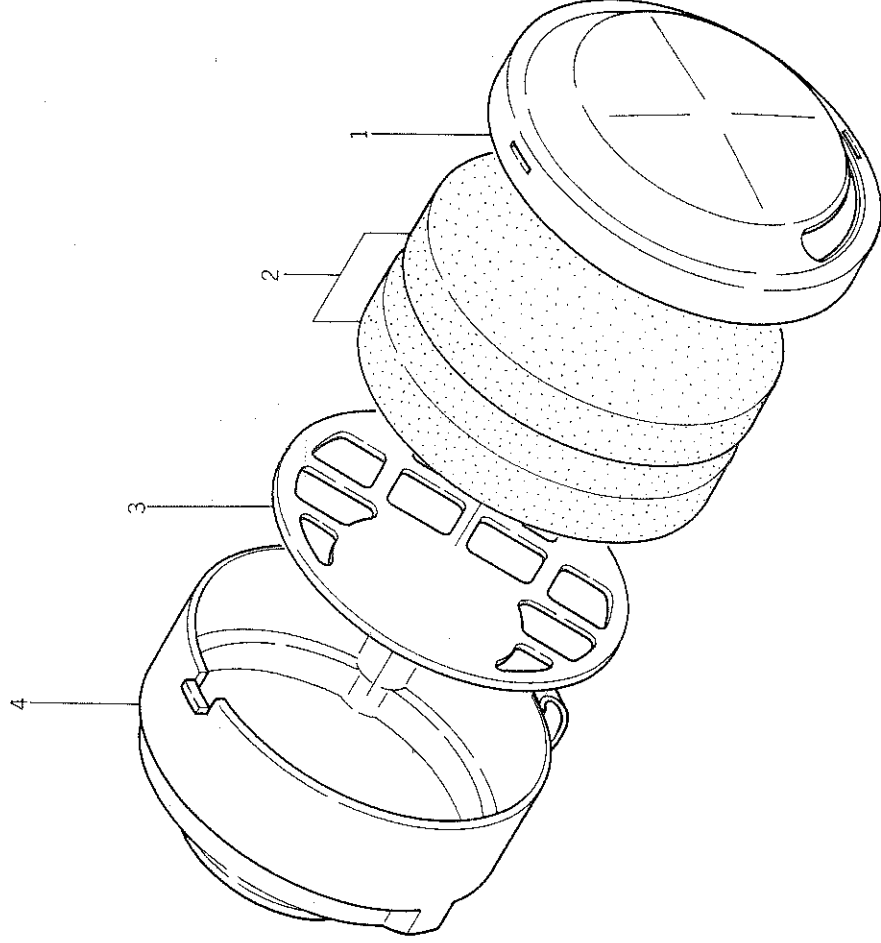
Ref. No.	Part No.	Part Name	Quantity	Remarks
[EXCLUSIVE PARTS FOR KF53G-A]				
50- 1	315419-1410A	MUFFLER ASS'Y	1	
50- 2	3154AB-1611A	CASE, spiral	1	
50- 3	315362-1631A	COVER, cylinder head	1	
50- 4	315470-1632A	COVER, cylinder	1	
50- 5	315419-3411A	PULLEY, starting	1	
50- 6	316430-6561B	BRACKET, filter	1	
50- 7	180B0814	BOLT (8x14)	2	
50- 8	314250-6610B	FUEL TANK ASS'Y	1	
50- 9	313640-6811B	•TUBE	1	
50-10	312740-6812-00	•CLIP	2	
50-11	318290-6641-00	•CAP, tank	1	
50-12	318290-6643-02	•GASKET	1	
50-13	318290-6646-00	•BREATHER	1	
50-14	313592-6661-00	•STRAINER, fuel	1	
50-15	314250-6711-00	BRACKET, tank	1	
50-16	702A071000	TUBE, rubber	1	ℓ=150mm
50-17	313679-1532-00	CLIP	2	
50-18	702A041000	TUBE, rubber	1	ℓ=310mm
50-19	318222-8511-02	SWITCH, stop	1	
50-20	312E0800A	NUT (8mm)	1	
50-21	461F0800	WASHER, spring	1	
50-22	313602-3272-00	KEY	1	

For common parts not listed here, see page 20 ~ 23 KF53GS-A (315470E).

ACCESSORY

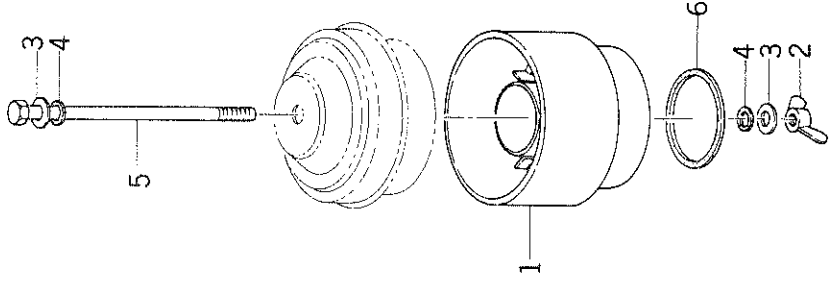
315419-0900A	TOOL ASS'Y	1	★★
315120-0934-00	•WRENCH, socket (17x21)	1	★★
315120-0945-00	•BAR	1	★★
315192-0971-00	•ROPE, starting	1	

Fig. A-1 AIR CLEANER



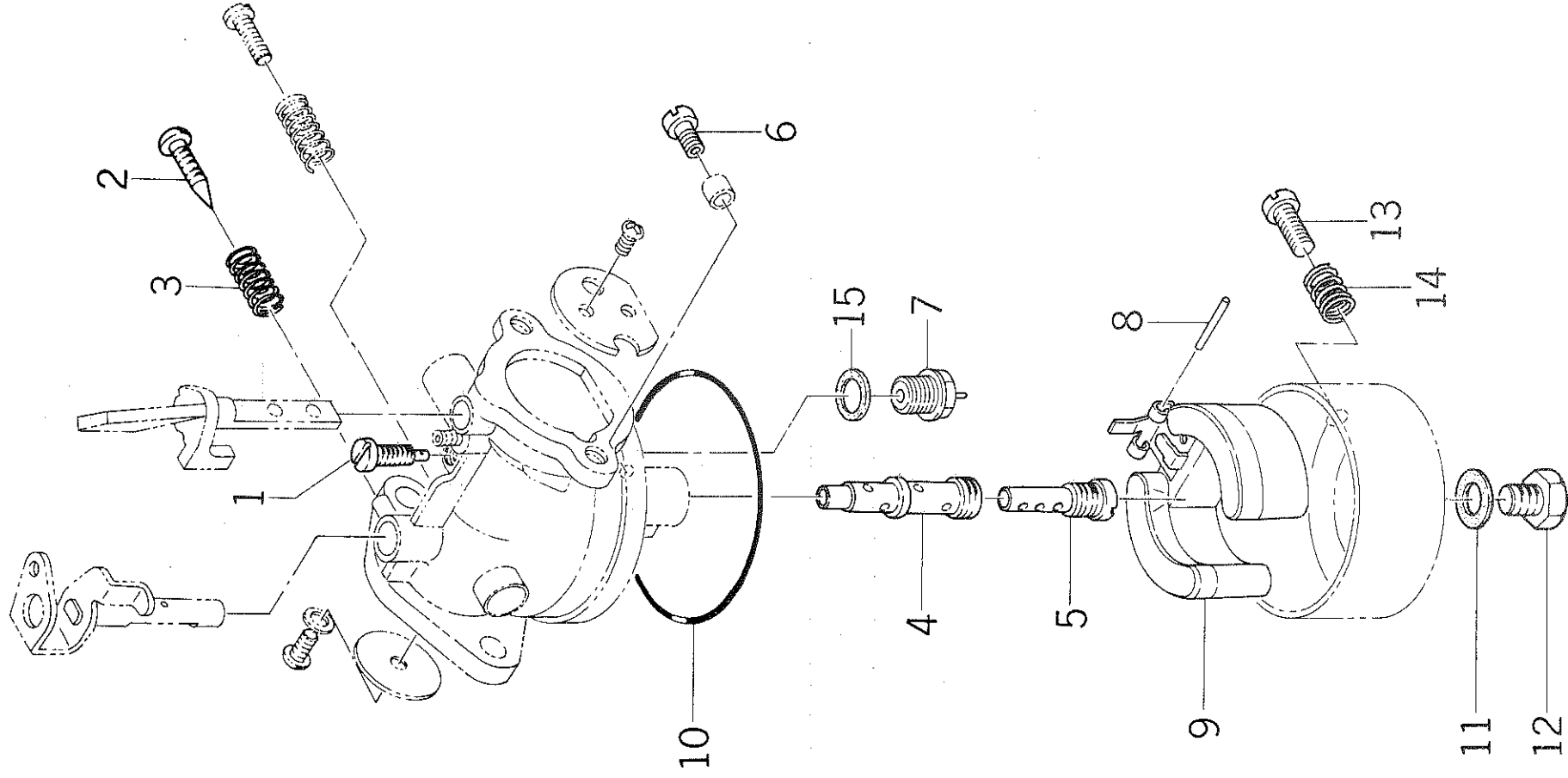
Ref. No.	Part No.	Part Name	Quantity	Remarks
		[FOR KF53D-A (315419E), DP-A, DQ-A, DU-A, DPS-A, DS-A, GS-A, G-A]		
A-1- 1	315470-1310A	AIR CLEANER ASS'Y	1	
A-1- 2	315470-1328A	•COVER, air cleaner	1	
A-1- 3	314250-1312-00	•ELEMENT	2	
A-1- 4	315470-1313A	•PLATE, air cleaner	1	
A-1- 4	315470-1311A	•CASE, air cleaner	1	

Fig. A-2 AIR CLEANER



Ref. No.	Part No.	Part Name	Quantity	Remarks
[FOR KF53D-A (315424D)]				
	313652-1310-00	AIR CLEANER ASS'Y	1	
A-2- 1	313122-1316-00	•PAN, oil	1	
A-2- 2	313122-1318-00	•NUT, wing	1	
A-2- 3	313122-1321-00	•WASHER	2	
A-2- 4	313652-1322-00	•GASKET	2	
A-2- 5	313652-1317-00	•BOLT, center	1	
A-2- 6	313652-1323-00	•GASKET	1	

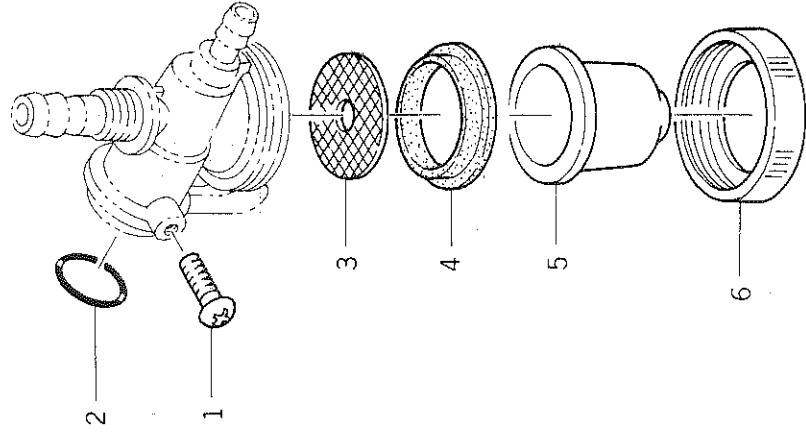
Fig. C-1 CARBURETOR



Ref. No.	Part No.	Part Name	Quantity	Remarks
	[FOR KF53D-A (315419E), DP-A, DQ-A, DPS-A, DS-A, GS-A, G-A]			
	315470-6100E	CARBURETOR ASS'Y	1	
C-1-1	316670-6112-00	•JET PILOT #42.5	1	
C-1-2	313650-6114-00	•SCREW, pilot	1	
C-1-3	312750-6116-00	•SPRING	1	
C-1-4	313650-6129-00	•NOZZLE, main	1	
C-1-5	313650-6106-00	•PIPE, bleed	1	
C-1-6	314251-6132-00	•JET, main #82.5	1	
C-1-7	313650-6120-00	•NEEDLE VALVE ASS'Y	1	
C-1-8	313650-6127-00	•PIN, float	1	
C-1-9	313650-6126-00	•FLOAT	1	
C-1-10	313650-6128-00	•GASKET	1	
C-1-11	318190-6159-00	•GASKET	1	
C-1-12	313650-6143-00	•PLUG, drain	1	
C-1-13	312759-6133-00	•SCREW, drain	1	
C-1-14	312759-6116-00	•SPRING	1	
C-1-15	313650-6119-00	•GASKET	1	
	[FOR KF53D-A (315424D)]			
	315411-6100C	CARBURETOR ASS'Y	1	
C-1-6	314224-6132-00	•JET, main #80	1	

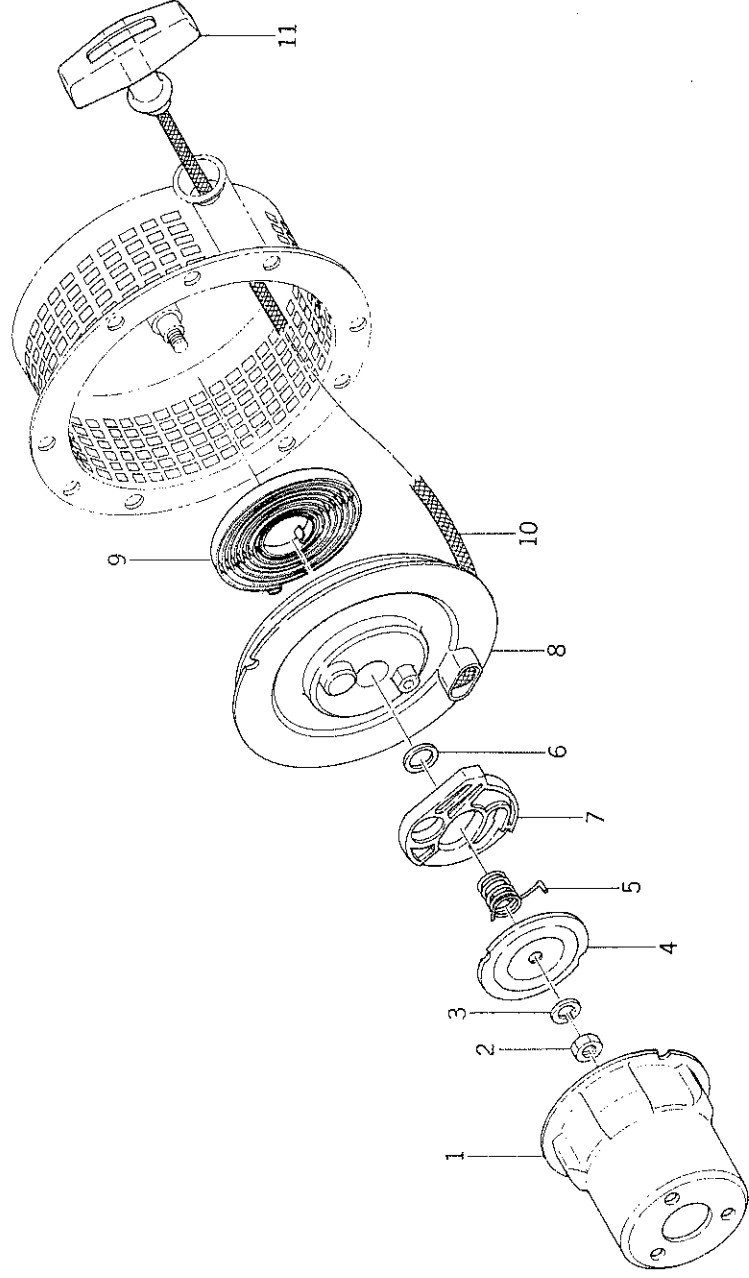
Parts not listed here, see KF53D-A (315419A).

Fig. F-1 FILTER



Ref. No.	Part No.	Part Name	Quantity	Remarks
		[FOR KF53D-A (315419E), DP-A, DQ-A, DU-A, DPS-A, DS-A, D-A (315424D), (GS-A, G-A)]		
	313650-6510-02	FILTER ASS'Y	1	
F-1- 1	313650-6517-00	•SCREW	1	
F-1- 2	313650-6512-00	•O-RING	1	
F-1- 3	313650-6519-00	•STRAINER	1	
F-1- 4	313650-6518-02	•GASKET	1	
F-1- 5	313650-6521-00	•POT, filter	1	
F-1- 6	313650-6522-00	•NUT, ring	1	

Fig. R-1 RECOIL STARTER



Ref. No.	Part No.	Part Name	Quantity	Remarks
[FOR KF53DPS-A, DS-A]				
	315420-3430A	RECOIL STARTER ASS'Y	1	
R-1- 1	315470-3432A	•PULLEY	1	
F-1- 2	316420-3443B	•NUT	1	
R-1- 3	316420-3451B	•WASHER, spring	1	
R-1- 4	315470-3449A	•RETAINER	1	
R-1- 5	315420-3446A	•SPRING	1	
R-1- 6	315470-3442A	•WASHER, thrust	1	
R-1- 7	315470-3445A	•PAWL, recoil	1	
R-1- 8	315470-3441A	•REEL, recoil	1	
R-1- 9	313601-3452-00	•SPRING, recoil	1	
R-1-10	314221-3453-00	•ROPE (5x1300)	1	
R-1-11	313601-3454-00	•HANDLE, recoil starter	1	

49088 20599H

[FOR KF53GS-A]

	315470-3430A	RECOIL STARTER ASS'Y	1	
R-1- 5	315470-3446A	•SPRING	1	

591162007514

Parts not listed here, see KF53DPS-A.

KAWASAKI HEAVY INDUSTRIES, LTD.
Overseas Office

Bangkok Office : Room No.309, Dusit Thani Bldg., 1-3 Rama IV Road, Lumpini,
Bangkok, Thailand
Phone: 2331951 Telex: TH2800 KAWAJU Cable: KAWAJU BANGKOK

Cairo Office : 5 Abdel Rahman EL-Rafei Street, Flat No.2, Dukki, Guizeh,
Cairo, Egypt
Phone: 705541, 704361 Telex: 92659 KAWAJUN
Cable: KAWAHEAVY CAIRO

Düsseldorf Office : Am Wehrhahn 45, Düsseldorf, West Germany
Phone: 357759, 353122~4 Telex: 41-8587421 KHID
Cable: KAWAJU DUSSELDORF

Greece Office : 3rd Floor, Vlanis Maritime Bldg., 97 Akti Miaouli,
Piraeus, Greece
Phone: 4531844~5 Telex: 213412 KHIG GR Cable: KAWAJU PIRAEUS

Houston Office : Suite 3670, 601 Jefferson Street, Houston, Texas 77002,
U. S. A.
Phone: (713) 654-8981 Telex: 774539 KAWAHEAVY HOU
Cable: KAWAHEAVY HOUSTON

London Office : 4th Floor, 3 St. Helen's Place, London, EC3A 6EB, England
Phone: 628-9915~7 Telex: 51-886303 KAWAJU LONDON
Cable: KAWAJU LONDON

Manila Office : 11th Floor, Filcapital Office, Condominium Bldg., AYALA Ave.
Makati, Rizal, Philippines
Phone: 891826~7 Telex: 2629 KHIPH Cable: KAWAJU MANILA

Melbourne Office : 9th Floor, Netherlands House, 470 Collins Street, Melbourne,
Victoria 3000, Australia
Phone: (03) 62-2752 Telex: AA33320 KAWAJU
Cable: KAWAJU MELBOURNE

New York Office : Room No.3309, 33rd Floor, Seagram Bldg., 375 Park Avenue,
New York, N. Y. 10022 U. S. A.
Phone: (212) 759-4950 Telex: 23-420293 KAWAKIS
Cable: NYKAWASAKI NEWYORK

Oslo Office : Kirkegaten 26, P.O.Box 746 Sentrum, Oslo 1, Norway
Phone: 208875 Telex: 19973 KHIN Cable: KAWAJU OSLO

Singapore Office : Room No.1104, 11th Floor, Shenton House, Shenton Way,
Singapore 1
Phone: 2212577~8 Telex: RS25487 KAWAJU

KAWASAKI
HEAVY INDUSTRIES LTD.
ENGINE AND MOTORCYCLE GROUP

P/N 315400-0005B

OCTOBER 1981

Printed in Japan