

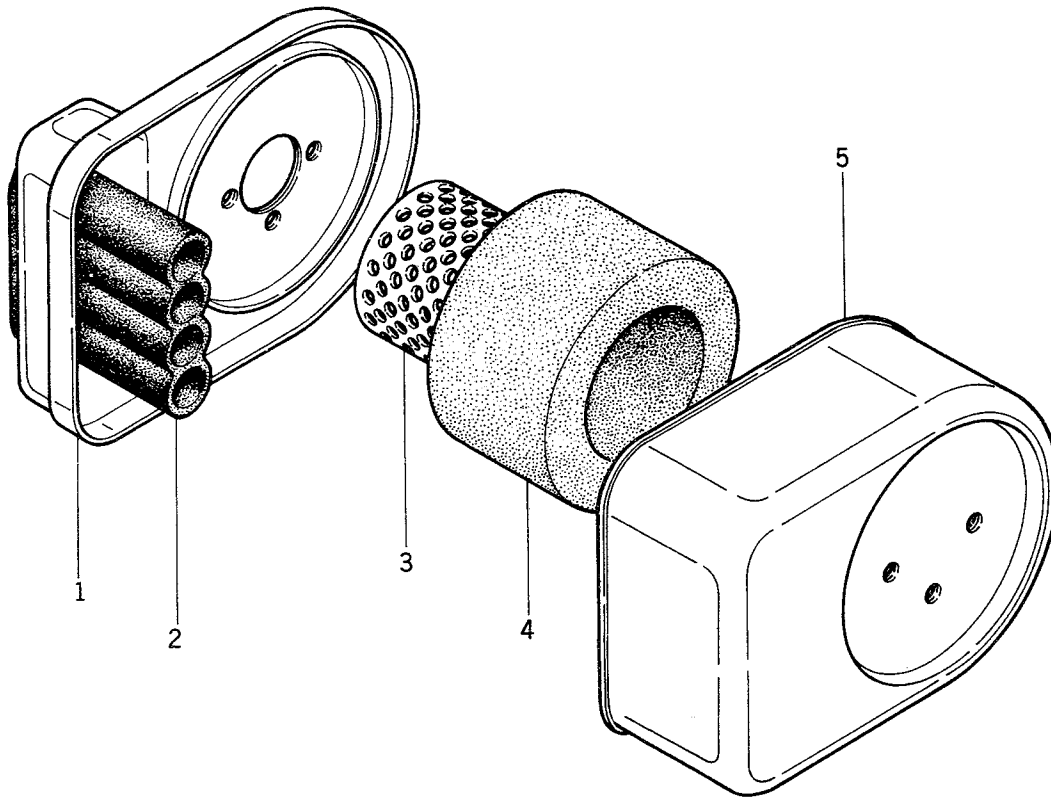
Ref. No.	Part No.	Part Name	Quantity	Remarks
1	314310-1111-00	HEAD, cylinder	1	
2	314310-1121-00	GASKET, head	1	
3	313550-1183-00	NUT	2	
4	311H0800A	NUT (8mm)	2	
5	410B0800	WASHER	4	
6	314310-1210-00	CYLINDER ASS'Y	1	
7	172B0625	STUD	2	
8	172B0895	STUD	2	
9	314310-1221-00	GASKET, cylinder	1	
10	314310-3111-00	PISTON	1	
11	314310-3010-00	PISTON RING SET	1	
12	314310-3121-00	PIN, piston	1	
13	312750-3122-00	RING, snap	2	
14	313410-3232-00	SHIM	AR	
15	312750-2371-00	KEY	1	
16	312750-3481-00	NUT	1	
17	314310-6181-00	INSULATOR	1	
18	314310-6184-00	GASKET	2	
19	311B0600	NUT (6mm)	2	
20	410B0600	WASHER	2	
21	461F0600A	WASHER, spring	2	
22	312200-8410-00	PLUG, spark (NGK B-6HS)	1	
23	313550-8418-00	CAP, plug	1	
24	318863-8419-00	SPRING	1	
25	314310-8511-00	SWITCH, stop	1	
26	312B0800A	NUT (8mm)	1	
27	461F0800	WASHER, spring	1	
28	314360-4110-00	CRANK CASE ASS'Y	1	
29	552A1012	•PIN, dowel	2	
30	314310-4113-00	GASKET	1	
31	314310-4117-00	STUD	4	
32	314310-4116-00	BOLT	3	
33	314302-4116-00	BOLT	2	
34	461F0600A	WASHER, spring	5	
35	314360-4121-00	COVER, crank case	1	
36	314360-4122-00	GASKET	1	
37	552A1212	PIN, dowel	2	
38	110H0840A	BOLT (8x40)	2	
39	110H0832A	BOLT (8x32)	4	
40	461F0800	WASHER, spring	6	
41	314310-4114-00	BED, engine	1	
42	110H0835A	BOLT (8x35)	4	
43	461F0800	WASHER, spring	4	

Ref. No.	Part No.	Part Name	Quantity	Remarks
44	601B6204	BEARING, ball (6204C3)	2	
45	601B6201	BEARING, ball (6201C3)	1	
46	314310-4231-00	SEAL, oil (TC20307)	2	
47	314360-4232-00	SEAL, oil (TC25387)	1	
48	316293-4233-00	SEAL, oil (VC8144)	1	
49	314154-7431-00	PLUG	1	
50	314310-7432-00	GASKET	1	
51	314310-7433-00	GASKET	2	
52	314310-7441-00	PLUG, drain	2	
53	314310-5110-00	GOVERNOR ASS'Y	1	
54	551A0308	PIN, dowel	1	
55	314310-5121-00	SLEEVE, governor	1	
56	314310-5122-00	TIP, governor	1	
57	314310-5123-00	SHAFT, governor	1	
58	314310-5142-00	WASHER	1	
59	229B0408A	SCREW (4x8)	2	
60	314360-3210-00	CRANK SHAFT ASS'Y	1	
61	314310-3242-00	•BEARING, needle	1	
62	314360-1610-00	CASE, spiral	1	
63	110B0610	BOLT (6x10)	6	
64	410B0600	WASHER	6	
65	461F0600A	WASHER, spring	6	
66	314360-3524-00	GEAR, crank	1	
67	314360-3585-00	WASHER	1	
68	314360-3322-00	NUT	1	
69	510A4100	KEY	1	
70	314360-3520-00	SHAFT ASS'Y	1	
71	311220-3232-00	SHIM	AR	
72	601A6202	BEARING, ball (6202)	1	
73	313252-2383-00	WASHER	1	
74	110B0820A	BOLT (8x20)	1	
75	461F0800	WASHER, spring	1	
76	511A0520	KEY	1	
77	314310-1310-00	AIR CLEANER ASS'Y	1	See Fig. A-1
78	314310-1316-00	BOLT (5x59)	3	
79	410B0500	WASHER	3	
80	461F0500A	WASHER, spring	3	
81	314310-6100-00	CARBURETOR ASS'Y	1	See Fig. C-1
82	314310-1400-00	MUFFLER ASS'Y	1	
83	314310-1431-00	•COVER, muffler	1	
84	110B0610	•BOLT (6x10)	4	
85	410B0600	•WASHER	4	
86	461F0600A	•WASHER, spring	4	

Ref. No.	Part No.	Part Name	Quantity	Remarks
87	314310-1442-00	GASKET	1	
88	311R0800A	NUT (8mm)	2	
89	410B0800	WASHER	2	
90	461S0800	WASHER, spring	2	
91	110B0614	BOLT (6x14)	1	
92	410B0600	WASHER	1	
93	461F0600A	WASHER, spring	1	
94	314310-5211-00	ARM, governor	1	
95	311B0600	NUT (6mm)	1	
96	410B0600	WASHER	1	
97	461F0600A	WASHER, spring	1	
98	314310-5231-00	LINK, governor	1	
99	314310-5232-00	SPRING, link	1	
100	314310-5311-00	LEVER, control	1	
101	314310-5314-00	SPRING, governor	1	
102	314310-5331-00	PANEL, control	1	
103	314310-5332-00	COLLAR	1	
104	314310-5333-00	COLLAR	1	
105	314310-5313-00	KNOB, control	1	
106	110B0614	BOLT (6x14)	1	
107	110B0622	BOLT (6x22)	1	
108	410B0600	WASHER	1	
109	461F0600A	WASHER, spring	2	
110	550D2012	PIN, cotter	1	
111	314310-5381-00	BOLT	1	
112	311B0600	NUT (6mm)	1	
113	314350-8110-00	MAGNETO ASS'Y	1	See Fig. M-2
114	231B0412A	SCREW (4x12)	2	
115	229B0622	SCREW (6x22)	2	
116	229B0628	SCREW (6x28)	2	
117	312401-8161-00	CLIP	1	
118	314310-8164-00	GROMMET	1	
119	314310-8165-00	GROMMET	1	
120	229B0408A	SCREW (4x8)	1	
121	314310-8465-00	IGNITER	1	
122	314310-8437-00	•GROMMET	1	
123	150B0616	BOLT (6x16)	2	
124	314110-6510-01	FILTER ASS'Y	1	See Fig. F-1
125	314310-6610-00	FUEL TANK ASS'Y	1	
126	313550-6641-00	•CAP, tank	1	
127	314310-6643-00	•GASKET	1	
128	318290-6646-00	•ELEMENT, breather	1	
129	313592-6661-00	•STRAINER	1	

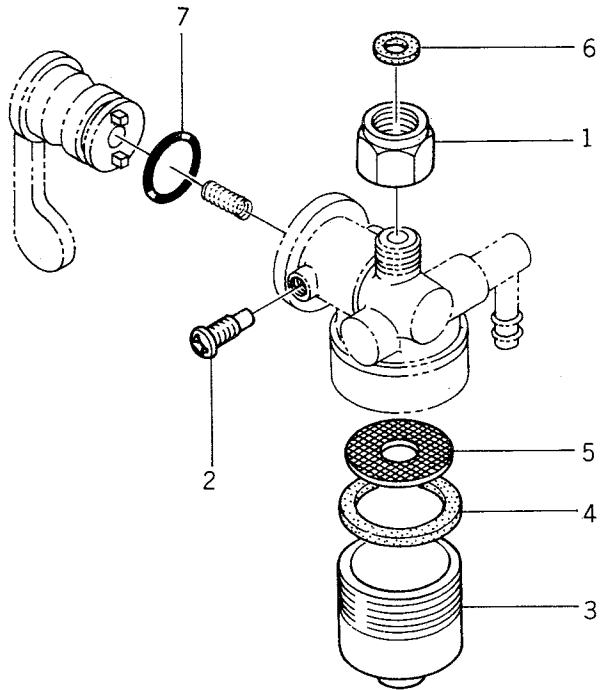
Ref. No.	Part No.	Part Name	Quantity	Remarks
130	313401-6812-00	•CLAMP	2	
131	701Q051000	•TUBE	1	ℓ=105mm
132	314310-6811-00	TUBE	1	
133	313401-6812-00	CLAMP	2	
134	314310-6729-00	BOLT (6x14)	2	
135	110B0816A	BOLT (8x16)	2	
136	410B0600	WASHER	2	
137	410B0800	WASHER	2	
138	461F0600A	WASHER, spring	2	
139	461F0800	WASHER, spring	2	
140	314360-3430-00	RECOIL STARTER ASS'Y	1	See Fig. R-2
141	110B0608	BOLT (6x8)	3	
142	110B0614	BOLT (6x14)	3	
143	461F0600A	WASHER, spring	6	
144	314310-0811-00	EMBLEM	1	
145	314341-0813-00	LABEL, horse power	1	
146	314341-0814-00	LABEL, air cleaner	1	
147	314341-0816-00	LABEL, fuel	1	
148	314341-0822-00	LABEL, caution	1	
149	314310-0831-00	LABEL, choke	1	
150	314310-8421-00	GASKET	1	
151	313646-8161-00	CLAMP	1	
152	313642-8167-00	TUBE	1	

Fig. A-1 AIR CLEANER



Ref. No.	Part No.	Part Name	Quantity	Remarks
	314310-1310-00	AIR CLEANER ASS'Y	1	
A-1- 1	314310-1314-00	•COVER	1	
A-1- 2	314310-1329-00	•DUCT, air	1	
A-1- 3	314310-1320-00	•HOLDER, element	1	
A-1- 4	314310-1312-00	•ELEMENT	1	
A-1- 5	314310-1311-00	•CASE, cleaner	1	

Fig. F-1 FILTER



Ref. No.	Part No.	Part Name	Quantity	Remarks
	314110-6510-01	FILTER ASS'Y	1	
F-1- 1	311220-6527-06	•NUT	1	
F-1- 2	313650-6517-00	•SCREW	1	
F-1- 3	311220-6521-00	•POT, filter	1	
F-1- 4	311220-6518-06	•GASKET	1	
F-1- 5	311220-6519-00	•STRAINER	1	
F-1- 6	311220-6523-00	•GASKET	1	
F-1- 7	313650-6512-00	•O-RING	1	

Fig. C-1 CARBURETOR

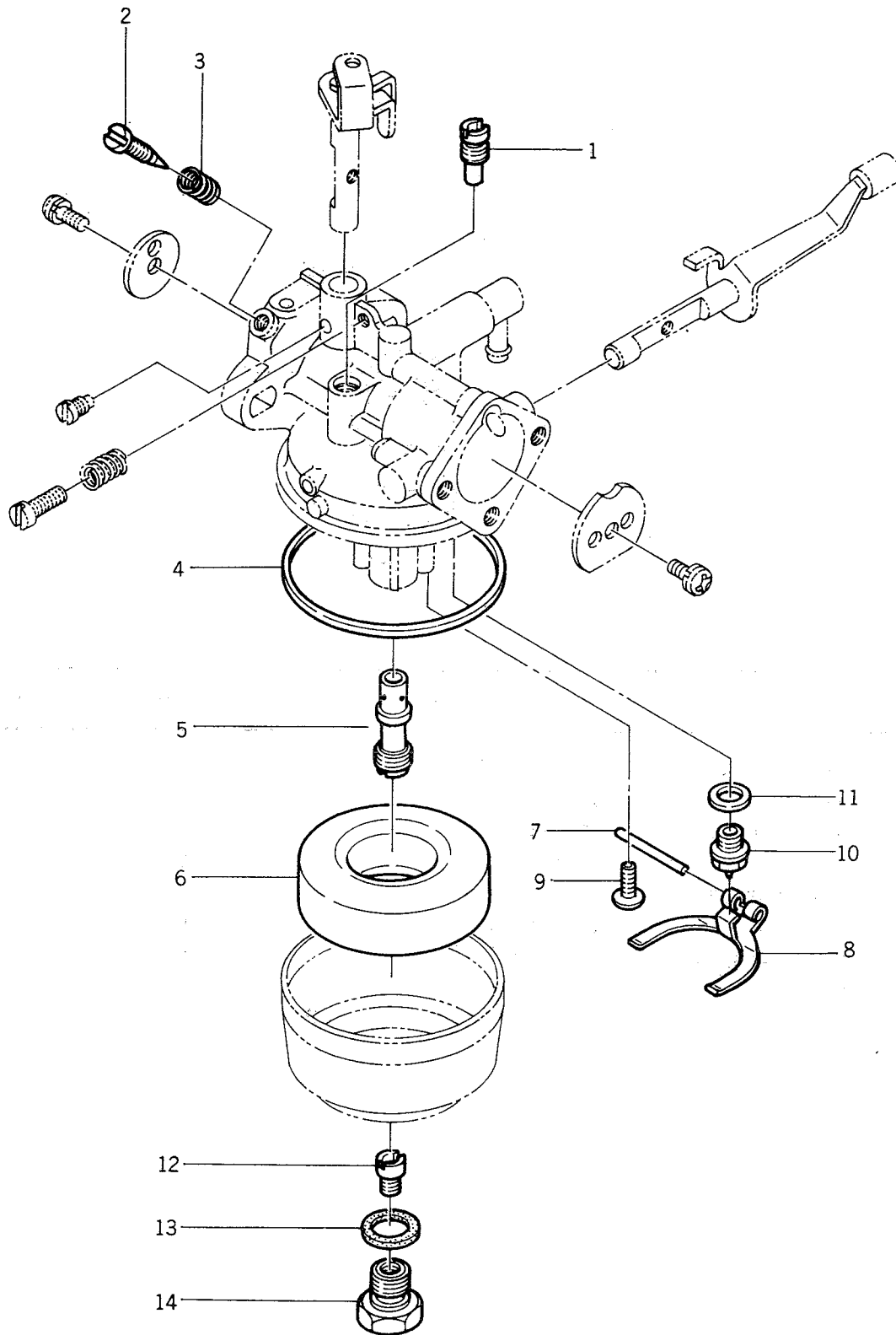
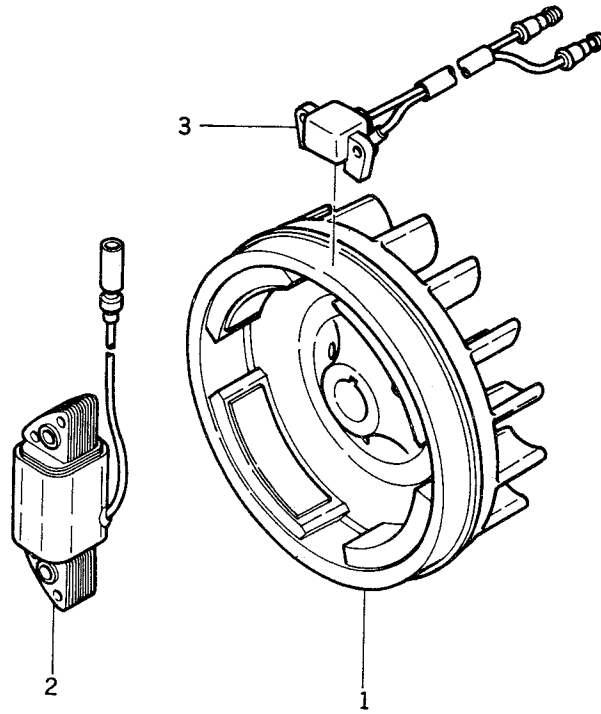




Fig. C-1 CARBURETOR

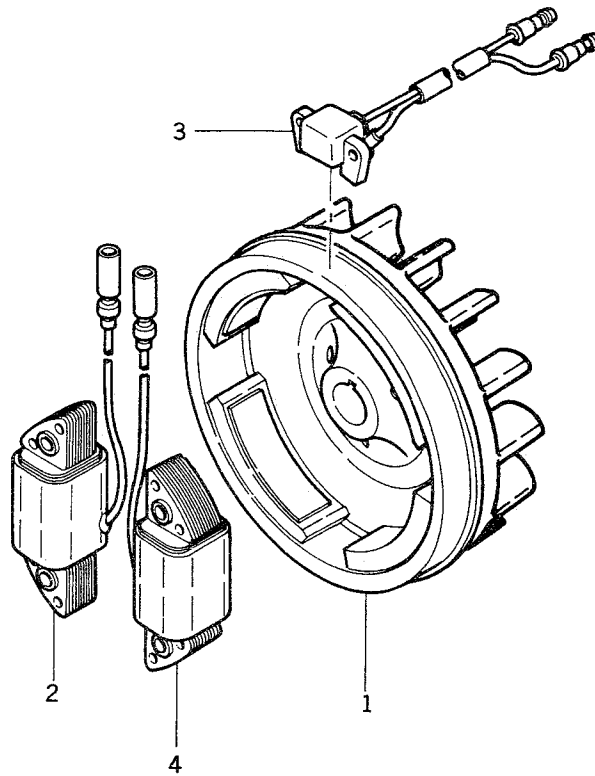
Ref. No.	Part No.	Part Name	Quantity	Remarks
	314310-6100-00	CARBURETOR ASS'Y	1	
C-1- 1	317290-6112-00	•JET, pilot (#50)	1	
C-1- 2	314310-6114-00	•SCREW, pilot	1	
C-1- 3	312750-6116-00	•SPRING	1	
C-1- 4	314310-6128-00	•GASKET	1	
C-1- 5	314310-6129-00	•NOZZLE, main	1	
C-1- 6	314310-6126-00	•FLOAT	1	
C-1- 7	314310-6127-00	•PIN	1	
C-1- 8	314310-6178-00	•HINGE, float	1	
C-1- 9	314310-6153-00	•SCREW	2	
C-1-10	313650-6120-00	•SEAT, valve	1	
C-1-11	313650-6119-00	•GASKET	1	
C-1-12	316470-6132-00	•JET, main (#87.5)	1	
C-1-13	314310-6118-00	•GASKET	1	
C-1-14	314310-6143-00	•HOLDER, main jet	1	

Fig. M-1 MAGNETO



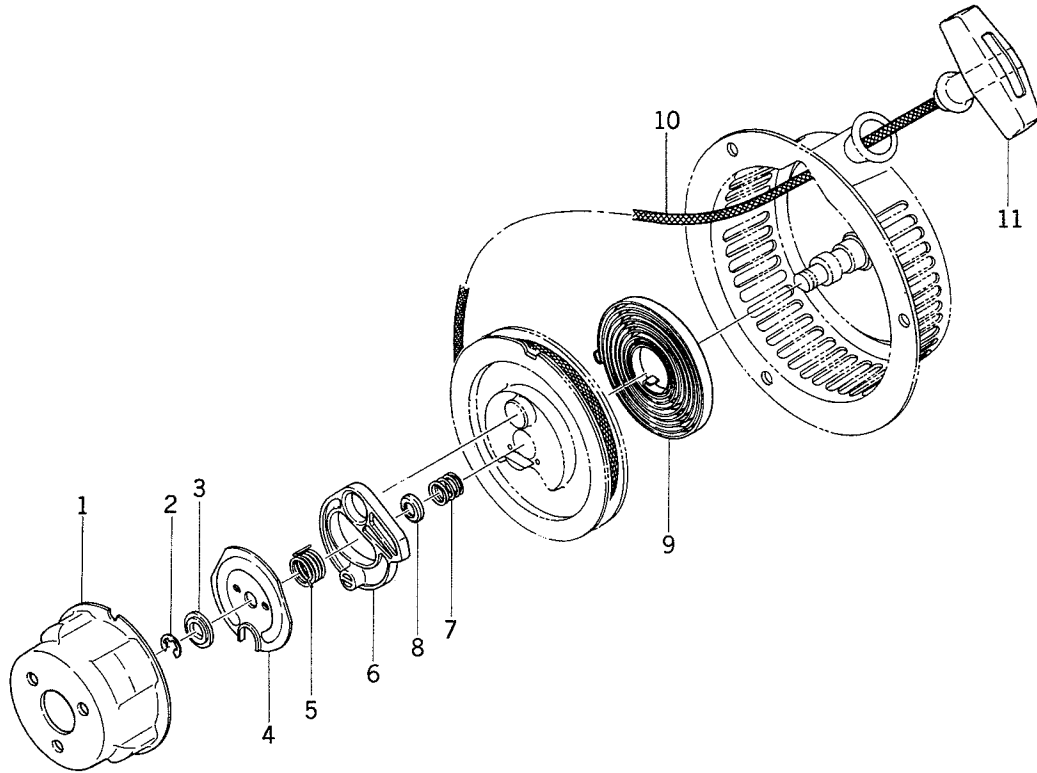
Ref. No.	Part No.	Part Name	Quantity	Remarks
	314310-8110-00	MAGNETO ASS'Y	1	
M-1- 1	314310-8111-00	•FLYWHEEL	1	
M-1- 2	314310-8115-00	•COIL, excite	1	
M-1- 3	314310-8114-00	•COIL, pulser	1	

Fig. M-2 MAGNETO



Ref. No.	Part No.	Part Name	Quantity	Remarks
	314350-8110-00	MAGNETO ASS'Y	1	
M-2- 1	314360-8111-00	•FLYWHEEL	1	
M-2- 2	314310-8115-00	•COIL, excite	1	
M-2- 3	314310-8114-00	•COIL, pulser	1	
M-2- 4	314301-8124-00	•COIL, lighting	1	

Fig. R-2 RECOIL STARTER



Ref. No.	Part No.	Part Name	Quantity	Remarks
	314360-3430-00	RECOIL STARTER ASS'Y	1	
R-2- 1	314310-3432-00	•PULLEY	1	
R-2- 2	312300-3451-00	•E-RING	1	
R-2- 3	313601-3442-00	•WASHER	1	
R-2- 4	313601-3449-00	•RETAINER	1	
R-2- 5	313650-3448-00	•SPRING, return	1	
R-2- 6	313601-3445-00	•PAWL	1	
R-2- 7	313601-3446-00	•SPRING	1	
R-2- 8	312300-3458-00	•COVER, spring	1	
R-2- 9	313601-3452-00	•SPRING, recoil	1	
R-2-10	312753-3453-00	•ROPE	1	
R-2-11	313601-3454-00	•HANDLE	1	