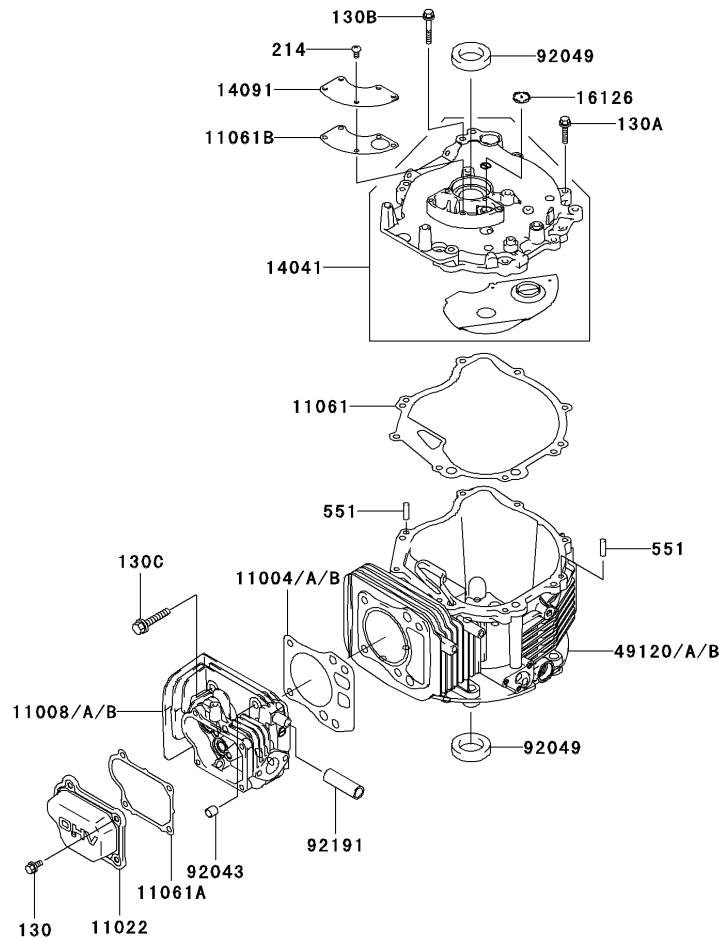
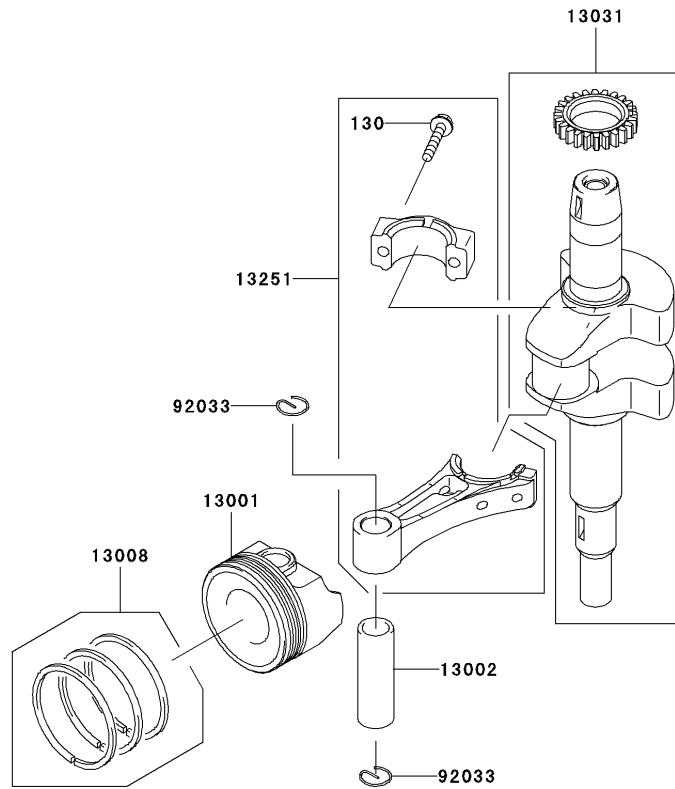


E0110-A472D

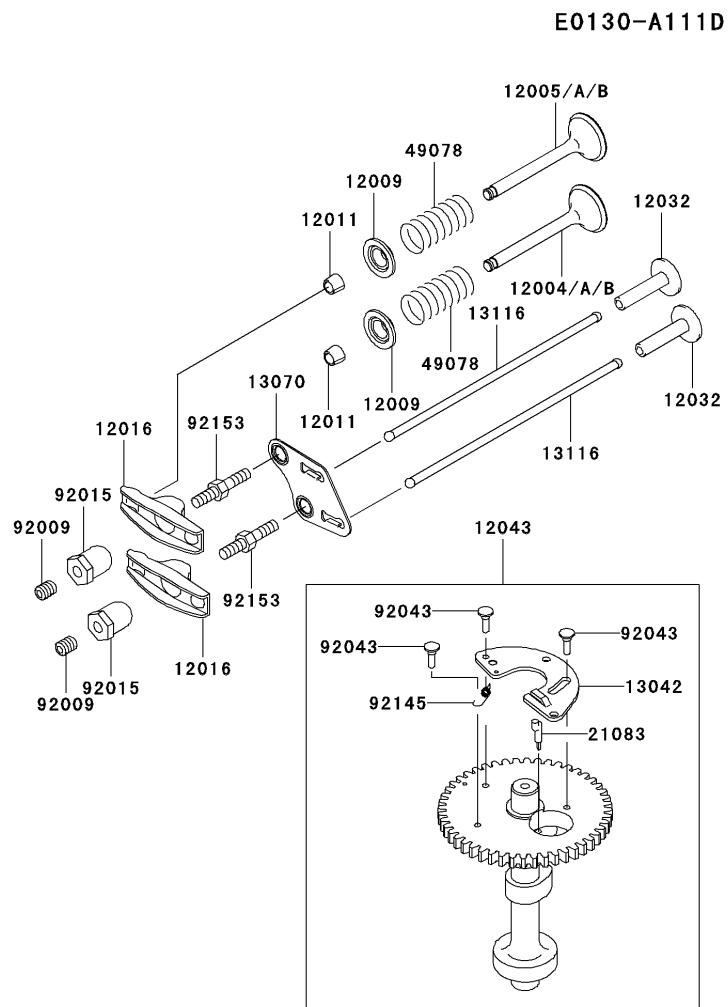


Ref No.	Part No.	Part Name	Qty	
			A	B
130	130B0612	BOLT-FLANGED	4	4
130A	130G0625	BOLT-FLANGED	7	7
130B	130G0635	BOLT-FLANGED	1	1
130C	130T0840	BOLT-FLANGED	4	4
214	214B0510	SCREW-PAN+-	5	5
551	551A0612	PIN-DOWEL	2	2
11004	11004-7014	GASKET-HEAD	*	
11004A	11004-7020	GASKET-HEAD		1
11004B	11004-7020	GASKET-HEAD	1	
11008	11008-7015	HEAD-COMP-CYLINDER	*	
11008A	11008-7025	HEAD-COMP-CYLINDER		1
11008B	11008-7025	HEAD-COMP-CYLINDER	1	
11022	11022-7005	CASE-ROCKER	1	1
11061	11061-7020	GASKET,COVER-CRANKCASE	1	1
11061A	11061-7023	GASKET,CASE ROCKER	1	1
11061B	11061-7031	GASKET,BREATHER	1	1
14041	14041-7001	COVER-COMP	1	1
14091	14091-7010	COVER,BREATHER	1	1
16126	16126-7014	VALVE,BREATHER	1	1
49120	49120-7044	CRANKCASE-COMP	*	
49120A	49120-7048	CRANKCASE-COMP		1
49120B	49120-7048	CRANKCASE-COMP	1	
92043	92043-7001	PIN	2	2
92049	92049-7008	SEAL-OIL,28-44-9 TC	2	2
92191	92191-7025	TUBE,12X16X49	1	1

E0120-A267A

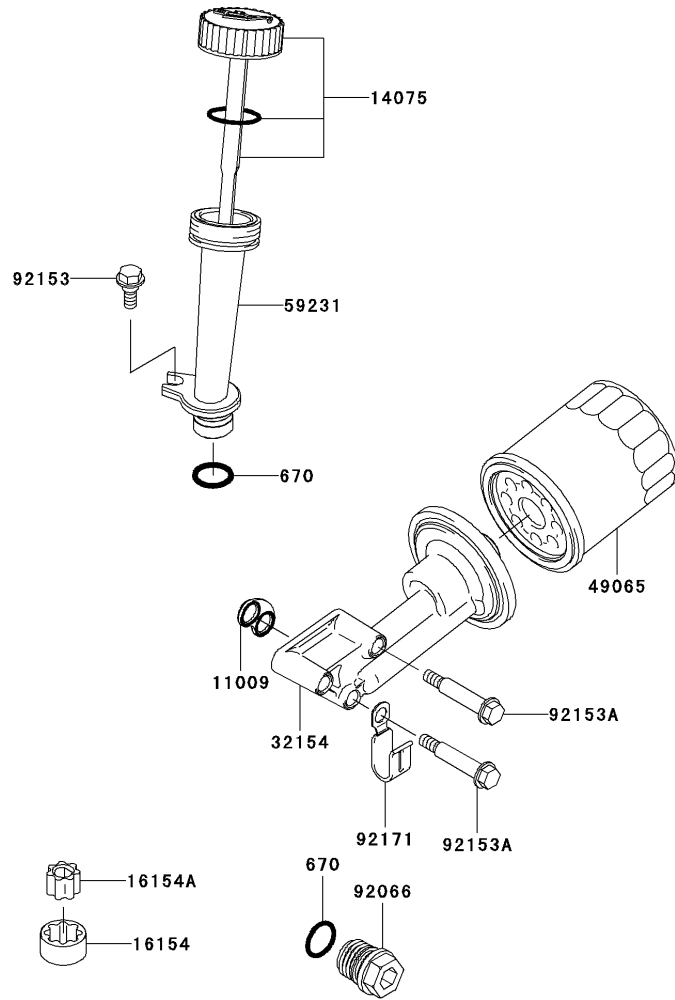


Ref No.	Part No.	Part Name	Qty	A	B
130	130G0630	BOLT-FLANGED	2	2	
13001	13001-7009	PISTON-ENGINE	1	1	
13002	13002-7001	PIN-PISTON	1	1	
13008	13008-7001	RING-SET-PISTON	1	1	
13031	13031-7057	CRANKSHAFT-COMP	1	1	
13251	13251-7011	ROD-ASSY-CONNECTING	1	1	
92033	92033-7005	RING-SNAP	2	2	



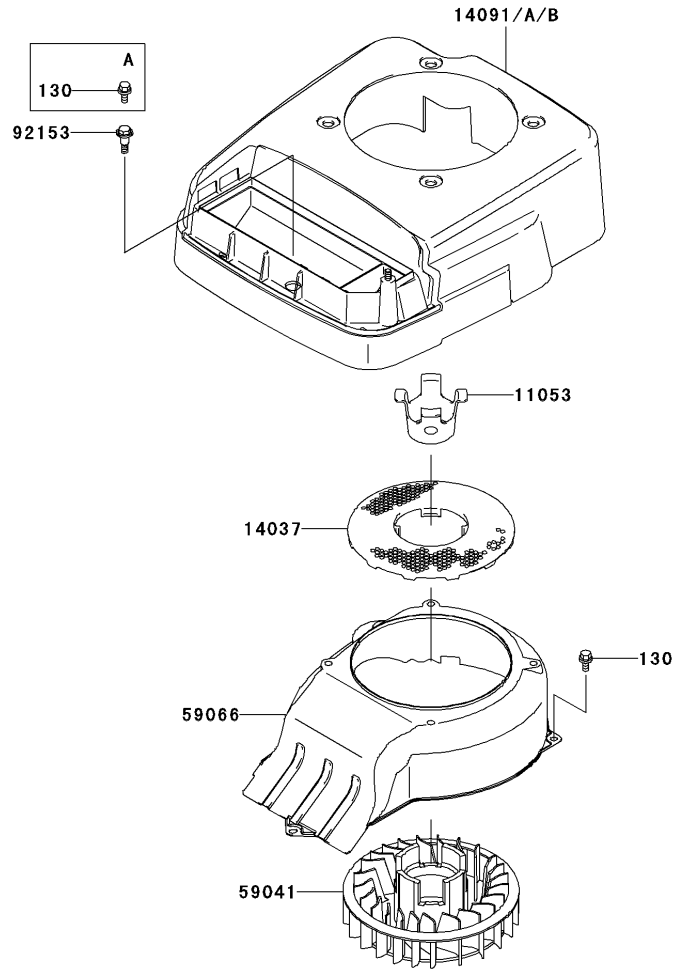
Ref No.	Part No.	Part Name	Qty	A	B
12004	12004-7003	VALVE-INTAKE	*		
12004A	12004-7005	VALVE-INTAKE			1
12004B	12004-7005	VALVE-INTAKE	1		
12005	12005-7003	VALVE-EXHAUST	*		
12005A	12005-7006	VALVE-EXHAUST			1
12005B	12005-7006	VALVE-EXHAUST	1		
12009	12009-7001	RETAINER-VALVE SPRING	2	2	
12011	12011-2056	COLLET	4	4	
12016	12016-7001	ARM-ROCKER	2	2	
12032	12032-7001	TAPPET	2	2	
12043	12043-7004	CAMSHAFT-ASSY-VALVE	1	1	
13042	13042-7006	WEIGHT	1	1	
13070	13070-7009	GUIDE	1	1	
13116	13116-7003	ROD-PUSH	2	2	
21083	21083-7009	ARM	1	1	
49078	49078-7001	SPRING-ENGINE VALVE	2	2	
92009	92009-2341	SCREW	2	2	
92015	92015-2253	NUT	2	2	
92043	92043-7006	PIN	3	3	
92145	92145-7016	SPRING	1	1	
92153	92153-7019	BOLT	2	2	

E0140-A316A



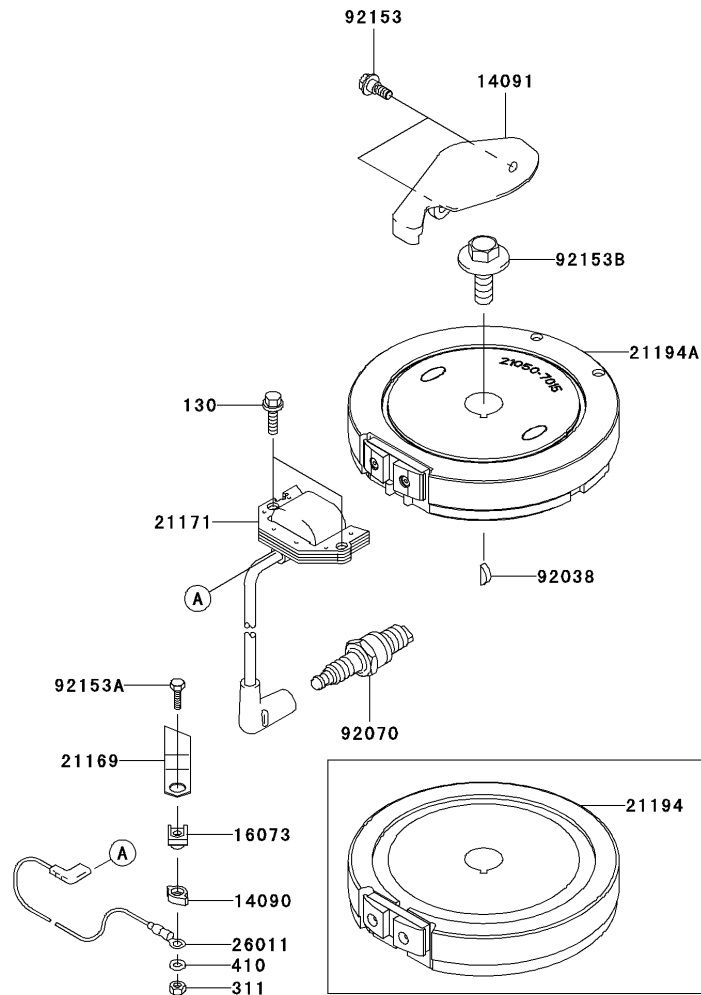
Ref No.	Part No.	Part Name	Qty	A	B
670	670D2016	O RING,16MM	2	2	
11009	11009-2860	GASKET	1	1	
14075	14075-7007	CAP-ASSY	1	1	
16154	16154-7002	ROTOR-PUMP	1	1	
16154A	16154-7004	ROTOR-PUMP	1	1	
32154	32154-7007	PIPE	1	1	
49065	49065-2078	FILTER-OIL	1	1	
59231	59231-7004	FILLER	1	1	
92066	92066-7003	PLUG	1	1	
92153	92153-7007	BOLT	1	1	
92153A	92153-7028	BOLT	3	3	
92171	92171-7008	CLAMP	1	1	

E0150-A616C



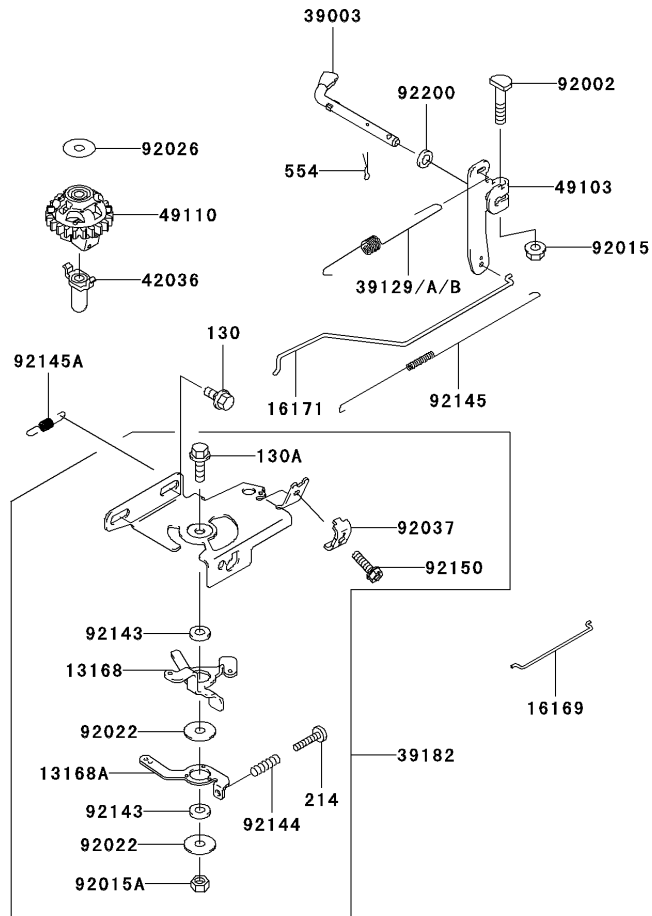
Ref No.	Part No.	Part Name	Qty	
			A	B
130	130B0612	BOLT-FLANGED	2	1
11053	11053-7009	BRACKET,FAN	1	1
14037	14037-7017	SCREEN	1	1
14091	14091-7034	COVER	*	
14091A	14091-7043	COVER	1	
14091B	14091-7046	COVER		1
59041	59041-7009	FAN	1	1
59066	59066-7016	HOUSING-FAN	1	1
92153	92153-7008	BOLT		1

E0160-B012A

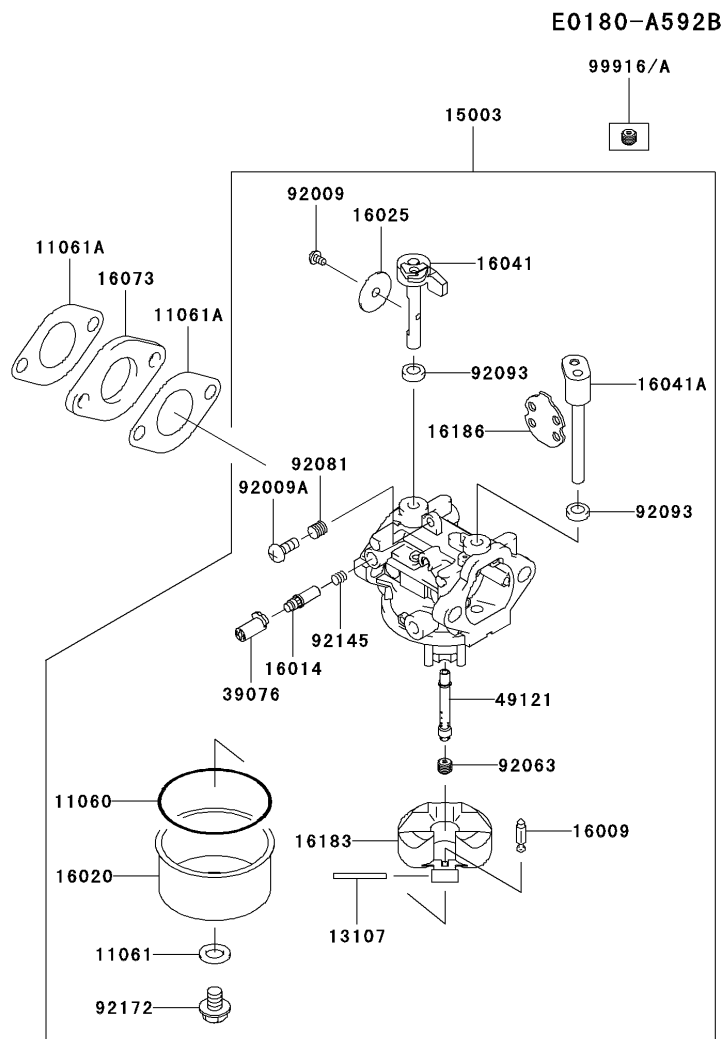


Ref No.	Part No.	Part Name	Qty	
			A	B
130	130B0620	BOLT-FLANGED	2	2
311	311B0400	NUT-HEX	1	1
410	410B0400	W-PLAIN-S	1	1
14090	14090-2108	COVER	1	1
14091	14091-7036	COVER	1	1
16073	16073-2192	INSULATOR	1	1
21169	21169-2071	TERMINAL	1	1
21171	21171-7010	COIL-ASSY-IGNITION	1	1
21194	21194-7019	FLYWHEEL-COMP	*	*
21194A	21194-7024	FLYWHEEL-COMP	1	1
26011	26011-7013	WIRE-LEAD	1	1
92038	92038-2077	KEY	1	1
92070	92070-2088	PLUG-SPARK,BPR5ES(NGK),SOLID	1	1
92153	92153-7007	BOLT	2	2
92153A	92153-7012	BOLT,4X16	1	1
92153B	92153-7030	BOLT,12X30	1	1

E0170-A478D

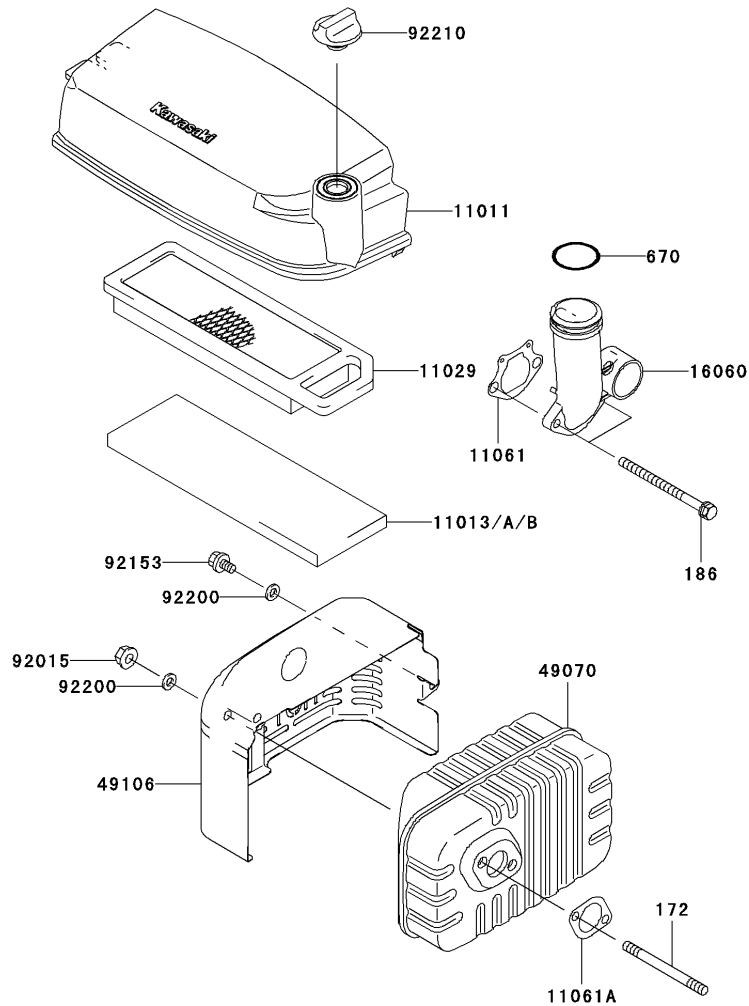


Ref No.	Part No.	Part Name	Qty	A	B
	130	BOLT-FLANGED	2	2	
	130A	BOLT-FLANGED	1	1	
	214	SCREW-PAN+-	1	1	
	554	PIN-SNAP	1	1	
	13168	LEVER	1	1	
	13168A	LEVER	1	1	
	16169	LINK-CHOKE	1	1	
	16171	LINK,THROTTLE	1	1	
	39003	ARM-PIVOT	1	1	
	39129	SPRING-GOVERNOR	*		
	39129A	SPRING-GOVERNOR			1
	39129B	SPRING-GOVERNOR	1		
	39182	PANEL-ASSY-CONTROL	1	1	
	42036	SLEEVE	1	1	
	49103	ARM-GOVERNOR	1	1	
	49110	GOVERNOR-ASSY	1	1	
	92002	BOLT	1	1	
	92015	NUT	1	1	
	92015A	NUT	1	1	
	92022	WASHER,6X19X1.2	2	2	
	92026	SPACER	1	1	
	92037	CLAMP	1	1	
	92143	COLLAR,6X13X2.3	2	2	
	92144	SPRING	1	1	
	92145	SPRING,THROTTLE	1	1	
	92145A	SPRING	1	1	
	92150	BOLT,5X18	1	1	
	92200	WASHER,6.5X11.5X2.0	1	1	



Ref No.	Part No.	Part Name	Qty	
			A	B
11060	11060-2190	GASKET	1	1
11061	11061-7010	GASKET,SCREW	1	1
11061A	11061-7015	GASKET,INSULATOR	2	2
13107	13107-7024	SHAFT	1	1
15003	15003-7110	CARBURETOR-ASSY	1	1
16009	16009-2136	NEEDLE-JET	1	1
16014	16014-7008	SCREW-PILOT AIR	1	1
16020	16020-7004	CHAMBER-FLOAT	1	1
16025	16025-7007	VALVE-THROTTLE	1	1
16041	16041-7019	SHAFT-CARBURETOR	1	1
16041A	16041-7020	SHAFT-CARBURETOR	1	1
16073	16073-7006	INSULATOR	1	1
16183	16183-2002	FLOAT-ASSY	1	1
16186	16186-7003	VALVE-ASSY-CHOKE	1	1
39076	39076-7001	LIMITER	1	1
49121	49121-7008	NOZZLE-MAIN	1	1
92009	92009-2083	SCREW	1	1
92009A	92009-2349	SCREW	1	1
92063	92063-7049	JET-MAIN,#74	1	1
92081	92081-2234	SPRING	1	1
92093	92093-2100	SEAL	2	2
92145	92145-7015	SPRING	1	1
92172	92172-7002	SCREW	1	1
99916	99916-7007	KIT-KHI PARTS,JET-MAIN		AR
99916A	99916-7007	KIT-KHI PARTS,JET-MAIN	AR	

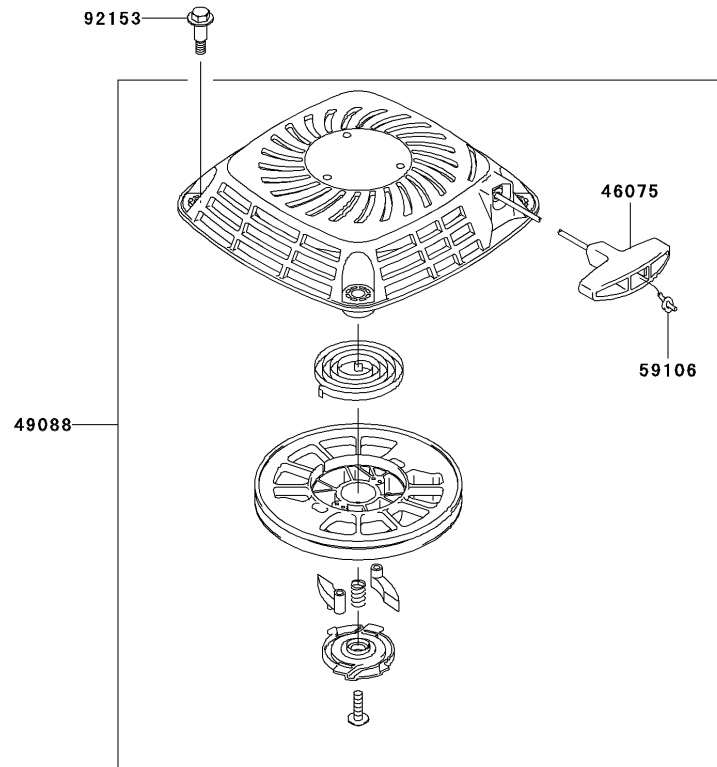
E0190-A753C



Ref No.	Part No.	Part Name	Qty	
			A	B
172	172G0680	BOLT-STUD	2	2
186	186B0680	BOLT-UPSET-WP	2	2
670	670B3032	O RING,32MM	1	1
11011	11011-7028	CASE-AIR FILTER	1	1
11013	11013-7018	ELEMENT-AIR FILTER	*	
11013A	11013-7032	ELEMENT-AIR FILTER		1
11013B	11013-7032	ELEMENT-AIR FILTER	1	
11029	11029-7021	ELEMENT-ASSY-AIR FILTER	1	1
11061	11061-7012	GASKET,PIPE INTAKE	1	1
11061A	11061-7029	GASKET,MUFFLER	1	1
16060	16060-7012	PIPE-INTAKE	1	1
49070	49070-7019	MUFFLER-COMP	1	1
49106	49106-7011	COVER-MUFFLER	1	1
92015	92015-1193	NUT	2	2
92153	92153-7023	BOLT	1	1
92200	92200-7022	WASHER,6.4X12X1.6	3	3
92210	92210-7019	NUT	1	1

E0210-A276E

Ref No.	Part No.	Part Name	Qty	
			A	B
46075	46075-7002	GRIP	1	1
49088	49088-7018	STARTER-RECOIL	1	1
59106	59106-7004	ROPE,1300MM	1	1
92153	92153-7021	BOLT,M6	4	4



F0290-B050A

Ref No.	Part No.	Part Name	Qty	
			A	B
56070	56070-2021	LABEL-WARNING	1	1

