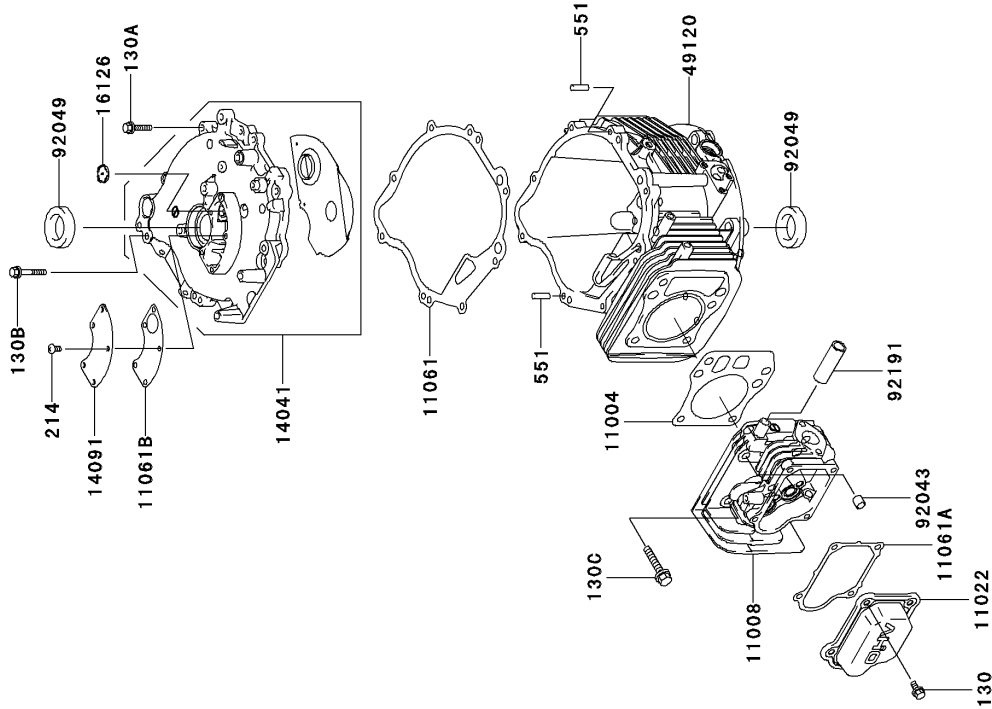
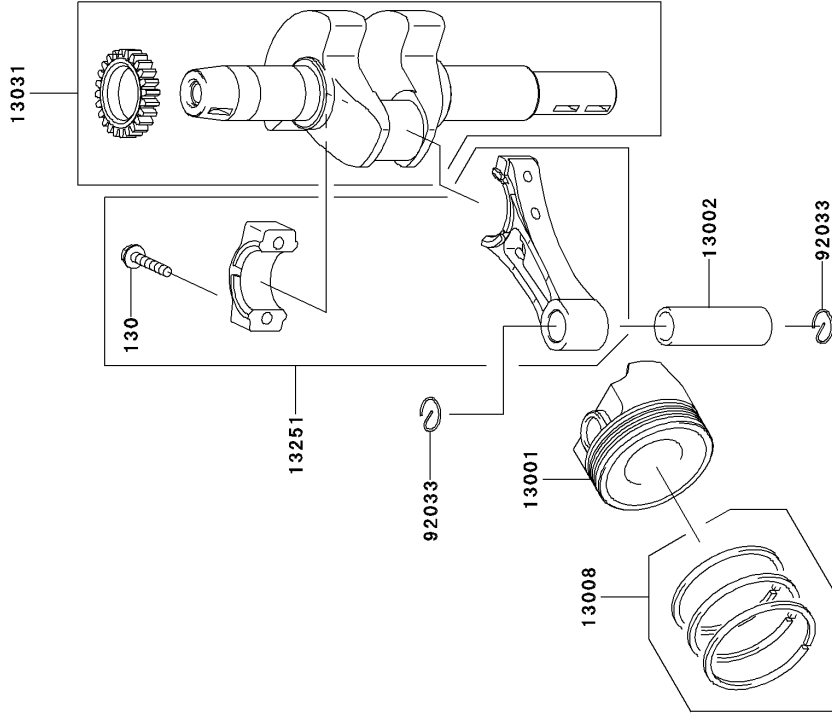


E0110-A472C



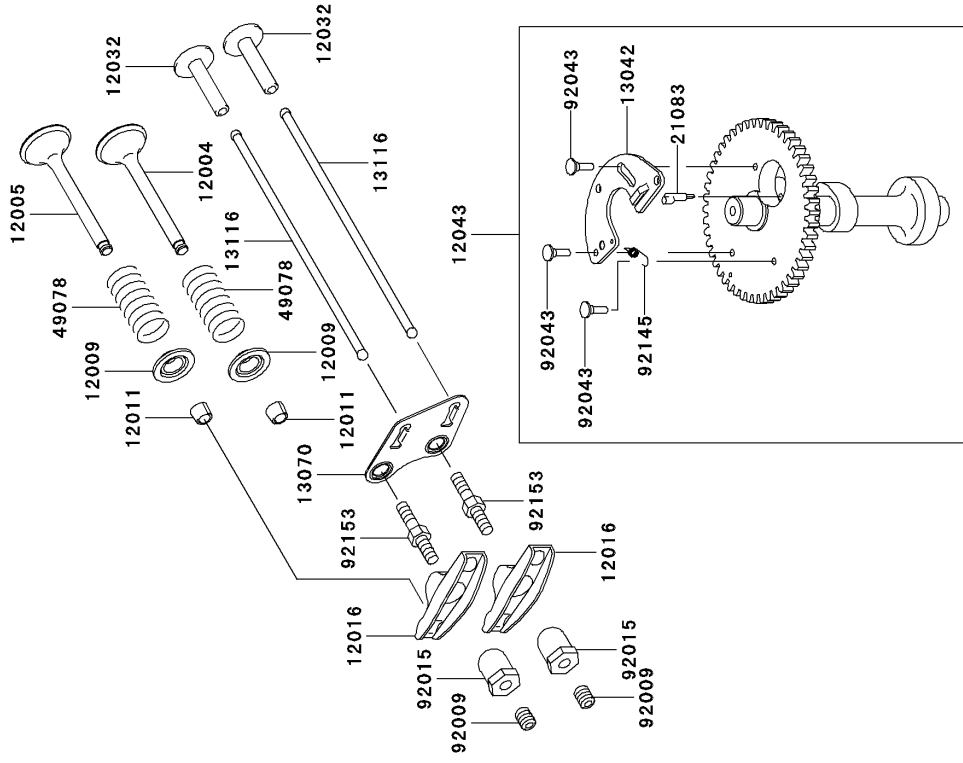
| Ref No. | Part No. | Part Name | Qty | A |
|---------|------------|------------------------|-----|---|
| 130 | 130B0612 | BOLT-FLANGED | 4 | |
| 130A | 130G0625 | BOLT-FLANGED | 7 | |
| 130B | 130G0635 | BOLT-FLANGED | 1 | |
| 130C | 130T0840 | BOLT-FLANGED | 4 | |
| 214 | 214B0510 | SCREW-PAN+ | 5 | |
| 551 | 551A0612 | PIN-DOWEL | 2 | |
| 11004 | 11004-7020 | GASKET-HEAD | 1 | |
| 11008 | 11008-7025 | HEAD-COMP-CYLINDER | 1 | |
| 11022 | 11022-7005 | CASE-ROCKER | 1 | |
| 11061 | 11061-7020 | GASKET,COVER-CRANKCASE | 1 | |
| 11061A | 11061-7023 | GASKET,CASE ROCKER | 1 | |
| 11061B | 11061-7031 | GASKET,BREATHER | 1 | |
| 14041 | 14041-7001 | COVER-COMP | 1 | |
| 14091 | 14091-7010 | COVER,BREATHER | 1 | |
| 16126 | 16126-7014 | VALVE,BREATHER | 1 | |
| 49120 | 49120-7059 | CRANKCASE-COMP | 1 | |
| 92043 | 92043-7001 | PIN | 2 | |
| 92049 | 92049-7008 | SEAL-OIL,28-44-9 TC | 2 | |
| 92191 | 92191-7025 | TUBE,12X16X49 | 1 | |

E0120-A266A



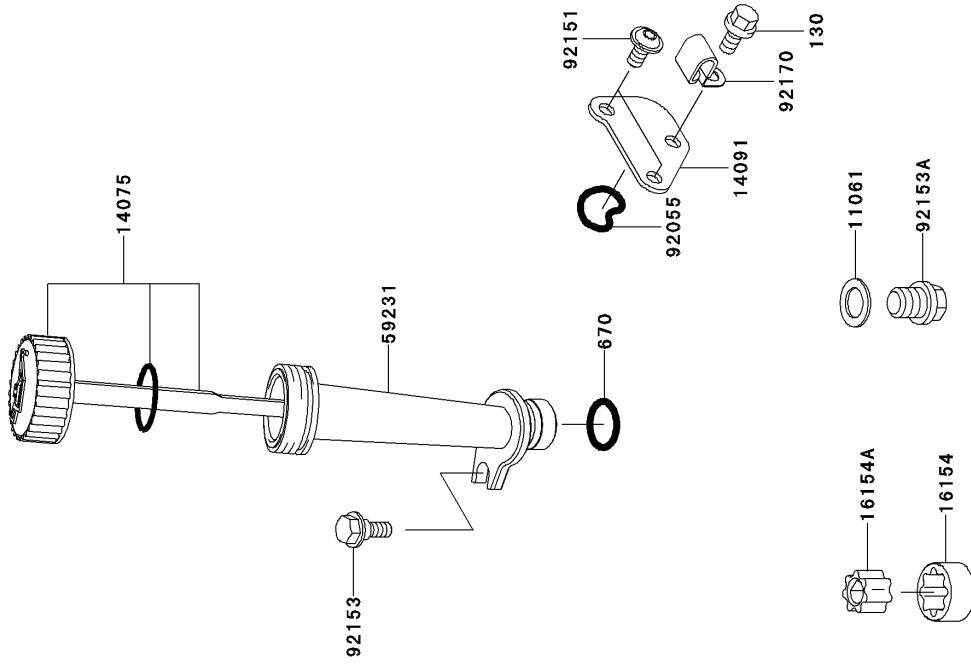
| Ref No. | Part No. | Part Name | Qty | A |
|---------|------------|---------------------|-----|---|
| 130 | 130G0630 | BOLT-FLANGED | 2 | |
| 13001 | 13001-7009 | PISTON-ENGINE | 1 | |
| 13002 | 13002-7001 | PIN-PISTON | 1 | |
| 13008 | 13008-7001 | RING-SET-PISTON | 1 | |
| 13031 | 13031-7066 | CRANKSHAFT-COMP | 1 | |
| 13251 | 13251-7011 | ROD-ASSY-CONNECTING | 1 | |
| 92033 | 92033-7005 | RING-SNAP | 2 | |

E0130-A111C



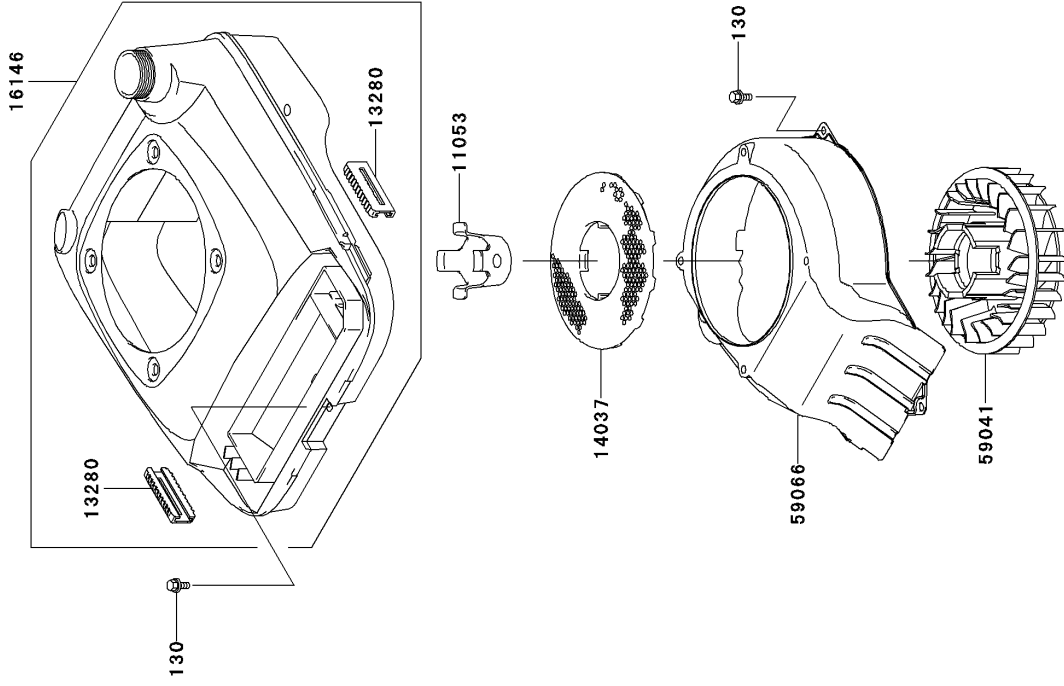
| Ref No. | Part No. | Part Name | Qty | A |
|---------|------------|-----------------------|-----|---|
| 12004 | 12004-7005 | VALVE-INTAKE | 1 | |
| 12005 | 12005-7006 | VALVE-EXHAUST | 1 | |
| 12009 | 12009-7001 | RETAINER-VALVE SPRING | 2 | |
| 12011 | 12011-2056 | COLLET | 4 | |
| 12016 | 12016-7001 | ARM-ROCKER | 2 | |
| 12032 | 12032-7001 | TAPPET | 2 | |
| 12043 | 12043-7004 | CAMSHAFT-ASSY-VALVE | 1 | |
| 13042 | 13042-7006 | WEIGHT | 1 | |
| 13070 | 13070-7009 | GUIDE | 1 | |
| 13116 | 13116-7003 | ROD-PUSH | 2 | |
| 21083 | 21083-7009 | ARM | 1 | |
| 49078 | 49078-7001 | SPRING-ENGINE VALVE | 2 | |
| 92009 | 92009-2341 | SCREW | 2 | |
| 92015 | 92015-2253 | NUT | 2 | |
| 92043 | 92043-7006 | PIN | 3 | |
| 92145 | 92145-7016 | SPRING | 1 | |
| 92153 | 92153-7019 | BOLT | 2 | |

E0140-A287A



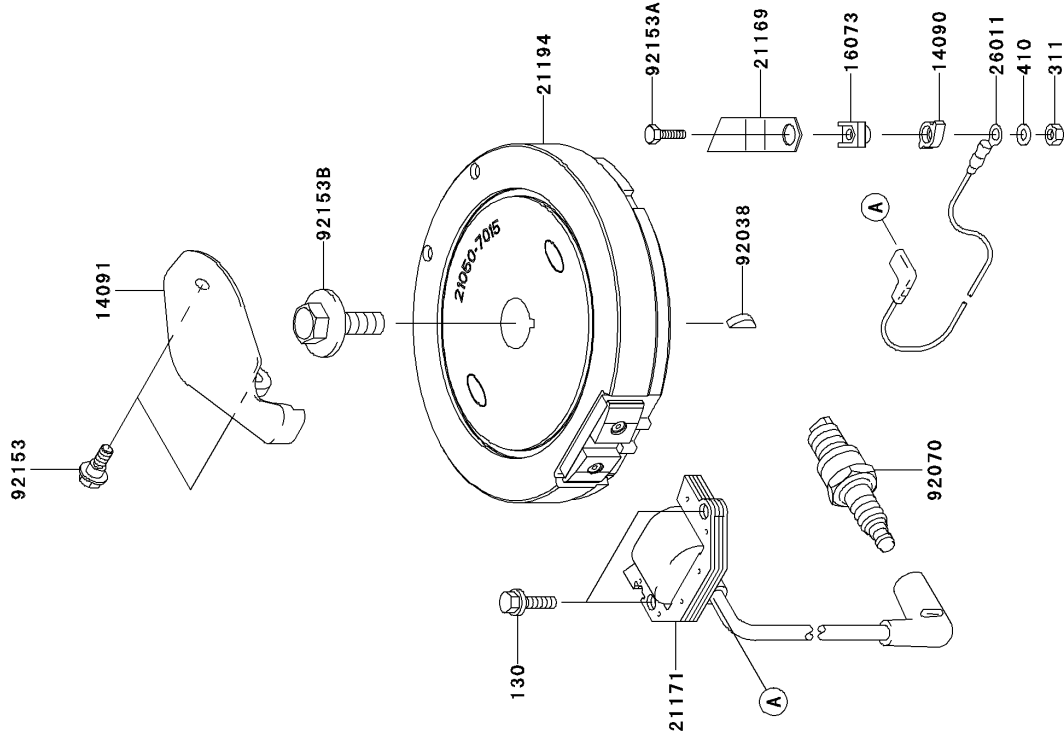
| Ref No. | Part No. | Part Name | Qty | A |
|---------|------------|-------------------|-----|---|
| 130 | 130B0612 | BOLT-FLANGED | 1 | |
| 670 | 670D2016 | O RING,16MM | 1 | |
| 11061 | 11061-7030 | GASKET,12X19X1.27 | 1 | |
| 14075 | 14075-7007 | CAP-ASSY | 1 | |
| 14091 | 14091-7011 | COVER,OIL FILTER | 1 | |
| 16154 | 16154-7002 | ROTOR-PUMP | 1 | |
| 16154A | 16154-7004 | ROTOR-PUMP | 1 | |
| 59231 | 59231-7004 | FILLER | 1 | |
| 92055 | 92055-2151 | RING-O | 1 | |
| 92151 | 92151-7012 | BOLT,6X12 | 2 | |
| 92153 | 92153-7007 | BOLT | 1 | |
| 92153A | 92153-7016 | BOLT,12X12 | 1 | |
| 92170 | 92170-1577 | CLAMP | 1 | |

E0150-A560A



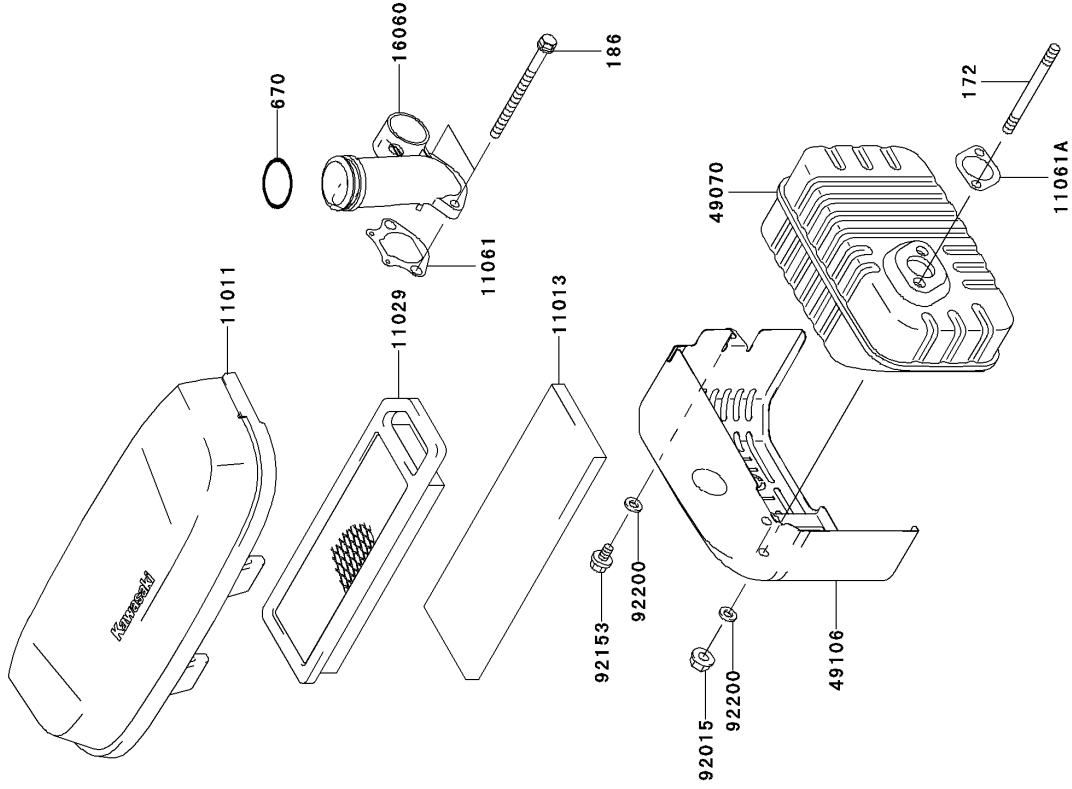
| Ref No. | Part No. | Part Name | Qty | A |
|---------|------------|--------------|-----|---|
| 130 | 130B0612 | BOLT-FLANGED | 2 | |
| 11053 | 11053-7009 | BRACKET,FAN | 1 | |
| 13280 | 13280-7001 | HOLDER | 2 | |
| 14037 | 14037-7017 | SCREEN | 1 | |
| 16146 | 16146-7012 | COVER-ASSY | 1 | |
| 59041 | 59041-7009 | FAN | 1 | |
| 59066 | 59066-7016 | HOUSING-FAN | 1 | |

E0160-B018A



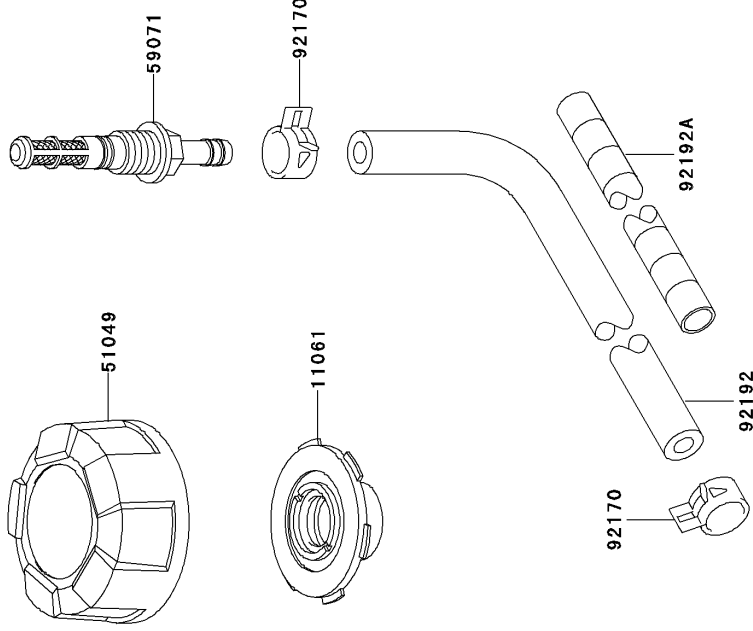
| Ref No. | Part No. | Part Name | Qty | A |
|---------|------------|------------------------------|-----|---|
| 130 | 130B0620 | BOLT-FLANGED | 2 | |
| 311 | 311B0400 | NUT-HEX | 1 | |
| 410 | 410B0400 | W-PLAIN-S | 1 | |
| 14090 | 14090-2108 | COVER | 1 | |
| 14091 | 14091-7036 | COVER | 1 | |
| 16073 | 16073-2192 | INSULATOR | 1 | |
| 21169 | 21169-2071 | TERMINAL | 1 | |
| 21171 | 21171-7010 | COIL-ASSY-IGNITION | 1 | |
| 21194 | 21194-7024 | FLYWHEEL-COMP | 1 | |
| 26011 | 26011-7013 | WIRE-LEAD | 1 | |
| 92038 | 92038-2077 | KEY | 1 | |
| 92070 | 92070-2088 | PLUG-SPARK,BPR5ES(NGK),SOLID | 1 | |
| 92153 | 92153-7007 | BOLT | 2 | |
| 92153A | 92153-7012 | BOLT,4X16 | 1 | |
| 92153B | 92153-7030 | BOLT,12X30 | 1 | |

E0190-A751B



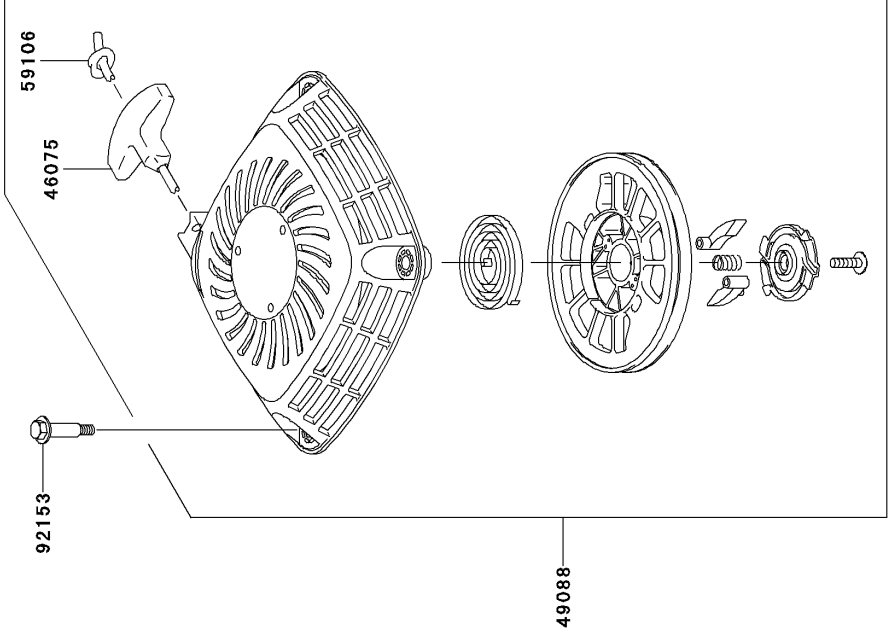
| Ref No. | Part No. | Part Name | Qty | A |
|---------|------------|-------------------------|-----|---|
| 172 | 172G0680 | BOLT-STUD | 2 | |
| 186 | 186B0680 | BOLT-UPSET-WP | 2 | |
| 670 | 670B3032 | O RING,32MM | 1 | |
| 11011 | 11011-7025 | CASE-AIR FILTER | 1 | |
| 11013 | 11013-7032 | ELEMENT-AIR FILTER | 1 | |
| 11029 | 11029-7010 | ELEMENT-ASSY-AIR FILTER | 1 | |
| 11061 | 11061-7012 | GASKET,PIPE INTAKE | 1 | |
| 11061A | 11061-7029 | GASKET,MUFFLER | 1 | |
| 16060 | 16060-7012 | PIPE-INTAKE | 1 | |
| 49070 | 49070-7019 | MUFFLER-COMP | 1 | |
| 49106 | 49106-7011 | COVER-MUFFLER | 1 | |
| 92015 | 92015-1193 | NUT | 2 | |
| 92153 | 92153-7023 | BOLT | 1 | |
| 92200 | 92200-7022 | WASHER,6.4X12X1.6 | 3 | |

E0200-A427C



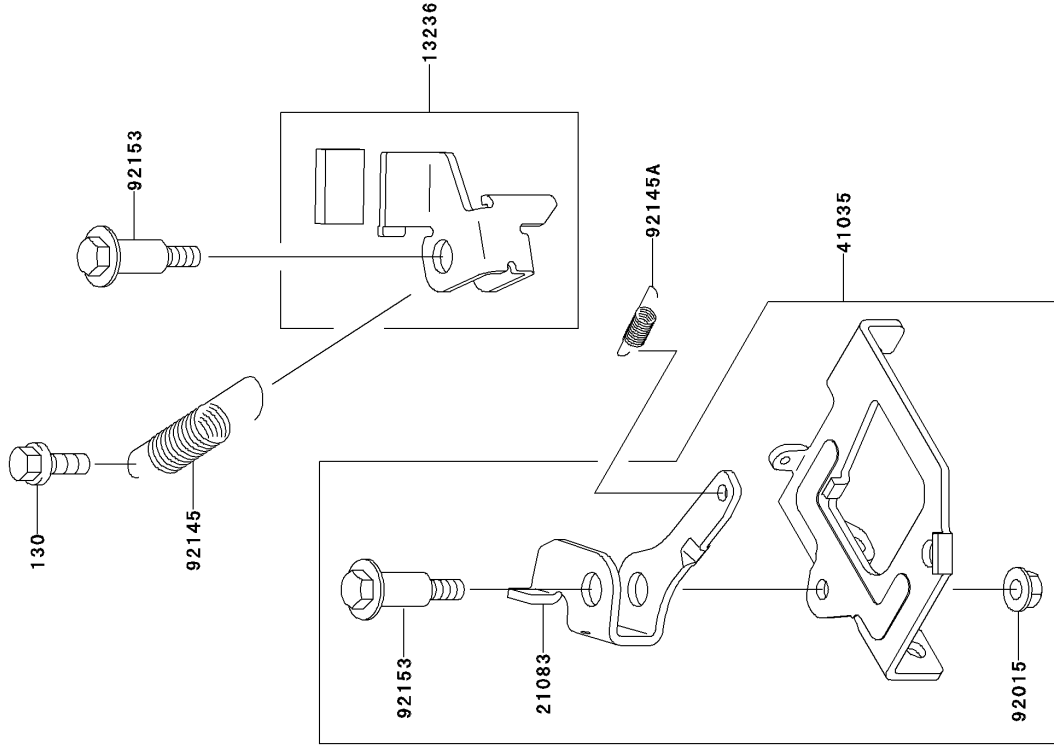
| Ref No. | Part No. | Part Name | Qty | A |
|---------|------------|--------------------|-----|---|
| 11061 | 11061-7036 | GASKET | 1 | |
| 51049 | 51049-7002 | CAP-TANK | 1 | |
| 59071 | 59071-7012 | JOINT | 1 | |
| 92170 | 92170-2088 | CLAMP | 2 | |
| 92192 | 92192-7005 | TUBE,6.35X12.7X285 | 1 | |
| 92192A | 92192-7007 | TUBE | 1 | |

E0210-A279C



| Ref No. | Part No. | Part Name | Qty | A |
|---------|------------|----------------|-----|---|
| 46075 | 46075-7002 | GRIP | 1 | |
| 49088 | 49088-7017 | STARTER-RECOIL | 1 | |
| 59106 | 59106-7003 | ROPE,2200MM | 1 | |
| 92153 | 92153-7021 | BOLT,M6 | 4 | |

F0220-A013A



| Ref No. | Part No. | Part Name | Qty | A |
|---------|------------|------------------|-----|---|
| 130 | 130B0612 | BOLT-FLANGED | 1 | |
| 13236 | 13236-7006 | LEVER-COMP | 1 | |
| 21083 | 21083-7016 | ARM | 1 | |
| 41035 | 41035-7005 | PANEL-ASSY-BRAKE | 1 | |
| 92015 | 92015-1193 | NUT | 1 | |
| 92145 | 92145-7023 | SPRING | 1 | |
| 92145A | 92145-7032 | SPRING | 1 | |
| 92153 | 92153-7020 | BOLT | 2 | |

F0290-B100A

| Ref No. | Part No. | Part Name | Qty | A |
|---------|------------|---------------|-----|---|
| 56033 | 56033-7003 | LABEL-MANUAL | 1 | |
| 56070 | 56070-7001 | LABEL-WARNING | 1 | |

56070



56033

