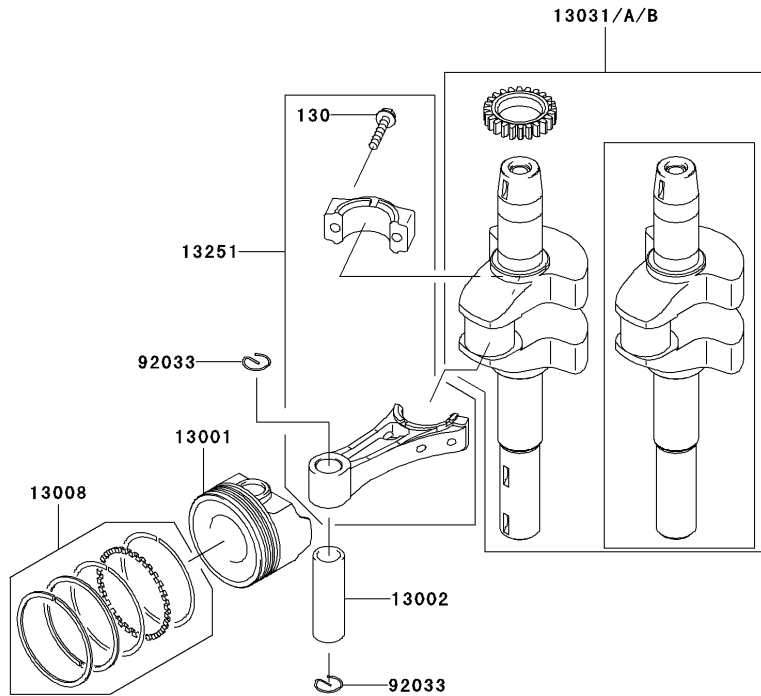
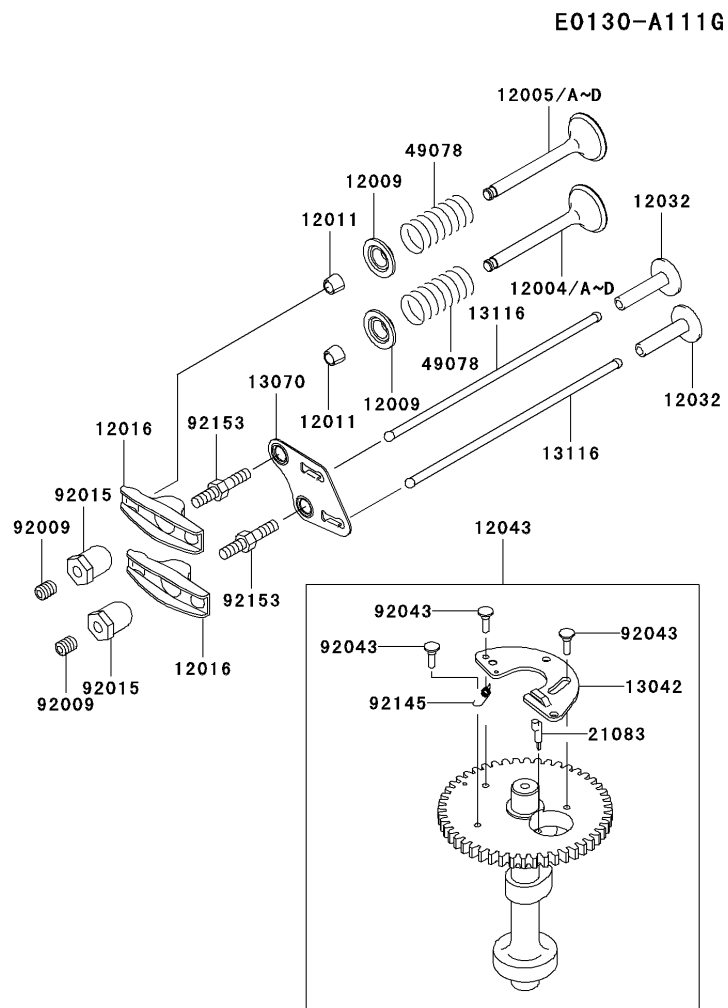


Ref No.	Part No.	Part Name	Qty			
				A	B	C
130	130B0612	BOLT-FLANGED	4	4	4	
130A	130G0625	BOLT-FLANGED	7	7	7	
130B	130G0635	BOLT-FLANGED	1	1	1	
130C	130T0840	BOLT-FLANGED	4	4	4	
214	214B0510	SCREW-PAN+-	5	5	5	
551	551A0612	PIN-DOWEL	2	2	2	
11004	11004-7009	GASKET-HEAD	*			
11004A	11004-7014	GASKET-HEAD		*		
11004B	11004-7014	GASKET-HEAD	*			
11004C	11004-7020	GASKET-HEAD			1	
11004D	11004-7020	GASKET-HEAD	1	1		
11008	11008-7015	HEAD-COMP-CYLINDER	*	*		
11008A	11008-7025	HEAD-COMP-CYLINDER			1	
11008B	11008-7025	HEAD-COMP-CYLINDER	1	1		
11022	11022-7005	CASE-ROCKER	1	1	1	
11061	11061-7020	GASKET,COVER-CRANKCASE	1	1	1	
11061A	11061-7023	GASKET,CASE ROCKER	1	1	1	
11061B	11061-7031	GASKET,BREATHER	1	1	1	
14041	14041-7001	COVER-COMP	1	1	1	
14091	14091-7010	COVER,BREATHER	1	1	1	
16126	16126-7014	VALVE,BREATHER	1	1	1	
49120	49120-7039	CRANKCASE-COMP	*			
49120A	49120-7041	CRANKCASE-COMP	*			
49120B	49120-7044	CRANKCASE-COMP		*		
49120C	49120-7046	CRANKCASE-COMP	1			
49120D	49120-7048	CRANKCASE-COMP			1	
49120E	49120-7048	CRANKCASE-COMP		1		
92043	92043-7001	PIN	2	2	2	
92049	92049-7008	SEAL-OIL,28-44-9 TC	2	2	2	
92191	92191-7025	TUBE,12X16X49	1	1	1	

E0120-A277A

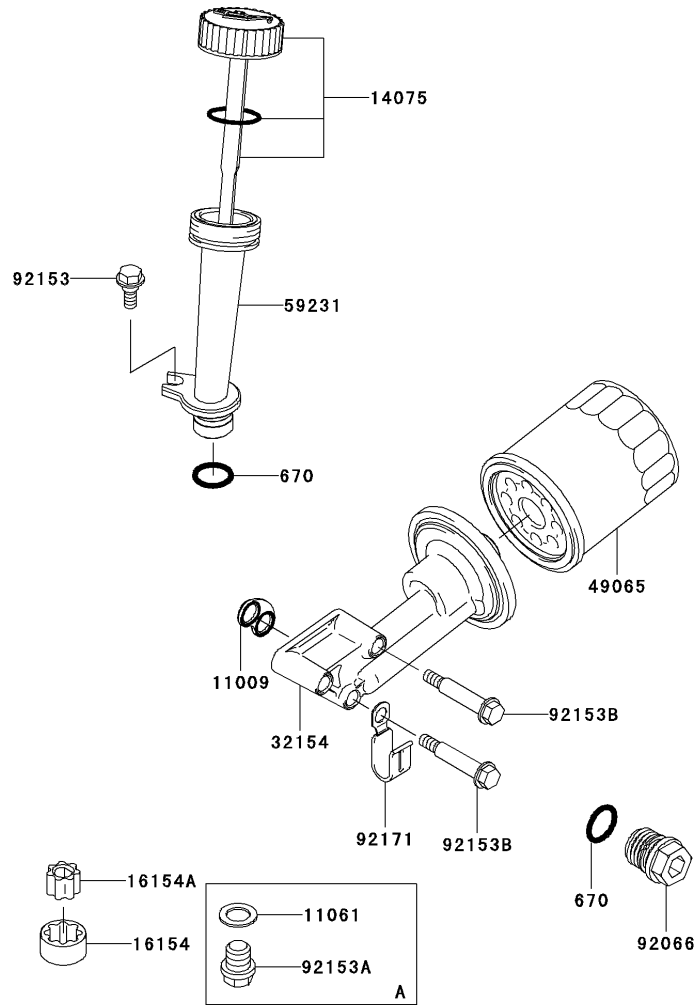


Ref No.	Part No.	Part Name	Qty		
			A	B	C
130	130G0630	BOLT-FLANGED	2	2	2
13001	13001-7009	PISTON-ENGINE	1	1	1
13002	13002-7001	PIN-PISTON	1	1	1
13008	13008-7001	RING-SET-PISTON	1	1	1
13031	13031-7055	CRANKSHAFT-COMP	*		
13031A	13031-7064	CRANKSHAFT-COMP		1	1
13031B	13031-7064	CRANKSHAFT-COMP	1		
13251	13251-7011	ROD-ASSY-CONNECTING	1	1	1
92033	92033-7005	RING-SNAP	2	2	2



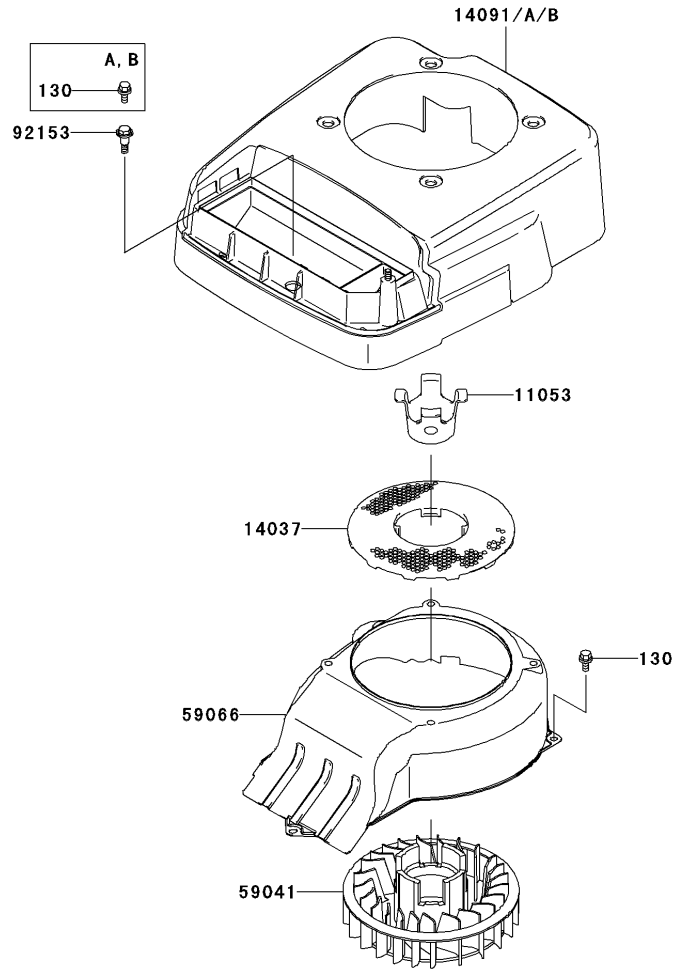
Ref No.	Part No.	Part Name	Qty		
			A	B	C
12004	12004-7003	VALVE-INTAKE	*		
12004A	12004-7003	VALVE-INTAKE		*	
12004B	12004-7005	VALVE-INTAKE			1
12004C	12004-7005	VALVE-INTAKE	1		
12004D	12004-7005	VALVE-INTAKE		1	
12005	12005-7003	VALVE-EXHAUST	*		
12005A	12005-7003	VALVE-EXHAUST		*	
12005B	12005-7006	VALVE-EXHAUST			1
12005C	12005-7006	VALVE-EXHAUST	1		
12005D	12005-7006	VALVE-EXHAUST		1	
12009	12009-7001	RETAINER-VALVE SPRING	2	2	2
12011	12011-2056	COLLET	4	4	4
12016	12016-7001	ARM-ROCKER	2	2	2
12032	12032-7001	TAPPET	2	2	2
12043	12043-7004	CAMSHAFT-ASSY-VALVE	1	1	1
13042	13042-7006	WEIGHT	1	1	1
13070	13070-7009	GUIDE	1	1	1
13116	13116-7003	ROD-PUSH	2	2	2
21083	21083-7009	ARM	1	1	1
49078	49078-7001	SPRING-ENGINE VALVE	2	2	2
92009	92009-2341	SCREW	2	2	2
92015	92015-2253	NUT	2	2	2
92043	92043-7006	PIN	3	3	3
92145	92145-7016	SPRING	1	1	1
92153	92153-7019	BOLT	2	2	2

E0140-A305A



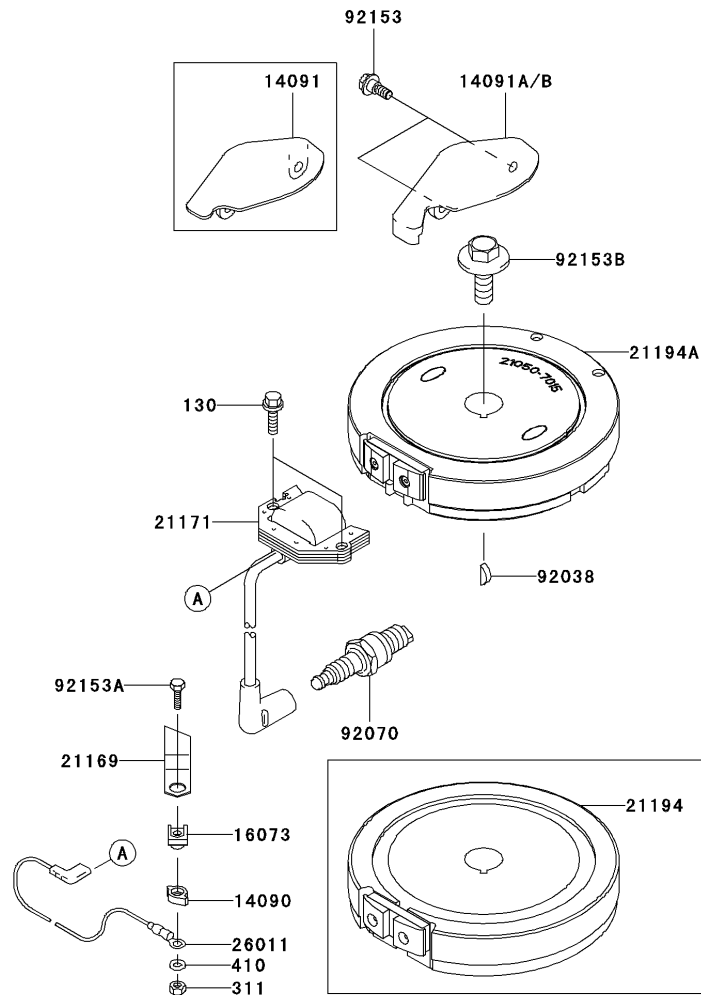
Ref No.	Part No.	Part Name	Qty		
			A	B	C
670	670D2016	O RING,16MM	1	2	2
11009	11009-2860	GASKET	1	1	1
11061	11061-7030	GASKET,12X19X1.27	1		
14075	14075-7007	CAP-ASSY	1	1	1
16154	16154-7002	ROTOR-PUMP	1	1	1
16154A	16154-7004	ROTOR-PUMP	1	1	1
32154	32154-7007	PIPE	1	1	1
49065	49065-2078	FILTER-OIL	1	1	1
59231	59231-7004	FILLER	1	1	1
92066	92066-7003	PLUG		1	1
92153	92153-7007	BOLT	1	1	1
92153A	92153-7016	BOLT,12X12	1		
92153B	92153-7028	BOLT	3	3	3
92171	92171-7008	CLAMP	1	1	1

E0150-A616A



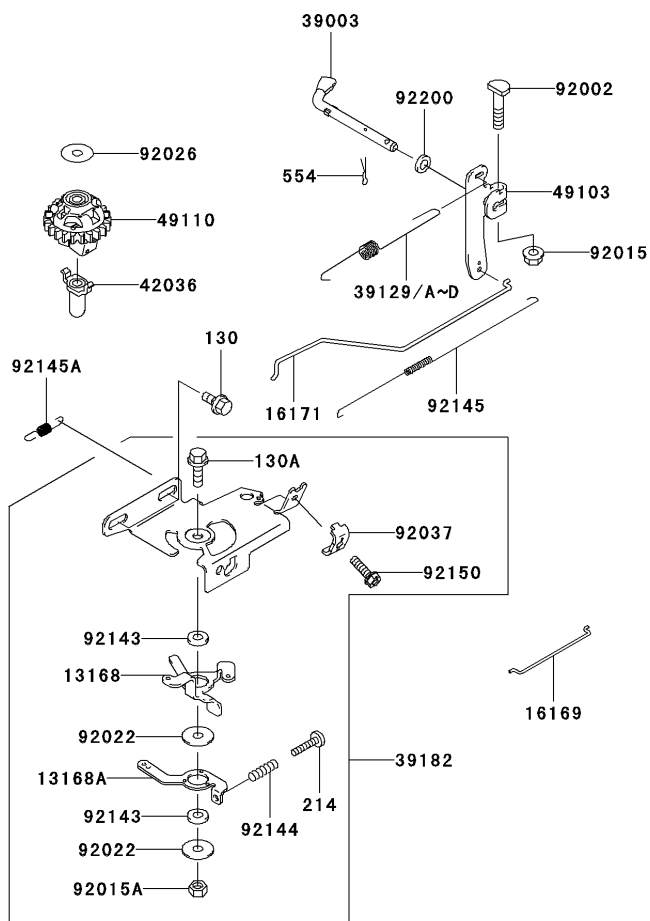
Ref No.	Part No.	Part Name	Qty		
			A	B	C
130	130B0612	BOLT-FLANGED	2	2	1
11053	11053-7009	BRACKET,FAN	1	1	1
14037	14037-7017	SCREEN	1	1	1
14091	14091-7034	COVER	*	*	
14091A	14091-7043	COVER	1	1	
14091B	14091-7046	COVER			1
59041	59041-7009	FAN	1	1	1
59066	59066-7016	HOUSING-FAN	1	1	1
92153	92153-7008	BOLT			1

E0160-B011A

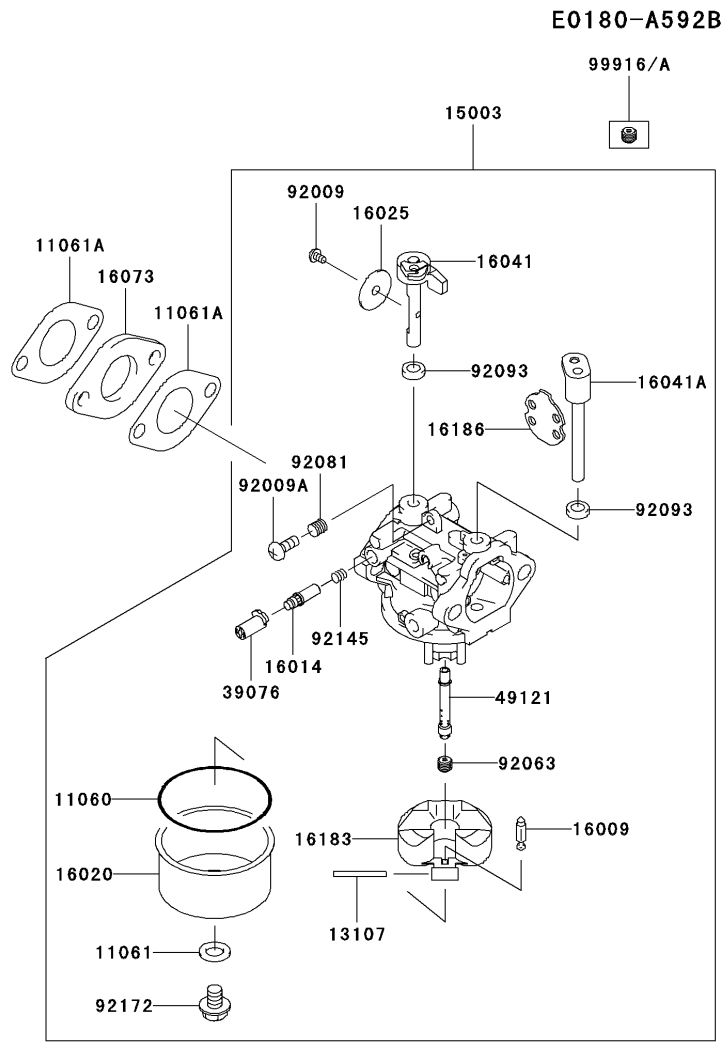


Ref No.	Part No.	Part Name	Qty		
			A	B	C
130	130B0620	BOLT-FLANGED	2	2	2
311	311B0400	NUT-HEX	1	1	1
410	410B0400	W-PLAIN-S	1	1	1
14090	14090-2108	COVER	1	1	1
14091	14091-7024	COVER	*		
14091A	14091-7036	COVER		1	1
14091B	14091-7036	COVER	1		
16073	16073-2192	INSULATOR	1	1	1
21169	21169-2071	TERMINAL	1	1	1
21171	21171-7010	COIL-ASSY-IGNITION	1	1	1
21194	21194-7019	FLYWHEEL-COMP	*	*	*
21194A	21194-7024	FLYWHEEL-COMP	1	1	1
26011	26011-7013	WIRE-LEAD	1	1	1
92038	92038-2077	KEY	1	1	1
92070	92070-2088	PLUG-SPARK,BPR5ES(NGK),SOLID	1	1	1
92153	92153-7007	BOLT	2	2	2
92153A	92153-7012	BOLT,4X16	1	1	1
92153B	92153-7030	BOLT,12X30	1	1	1

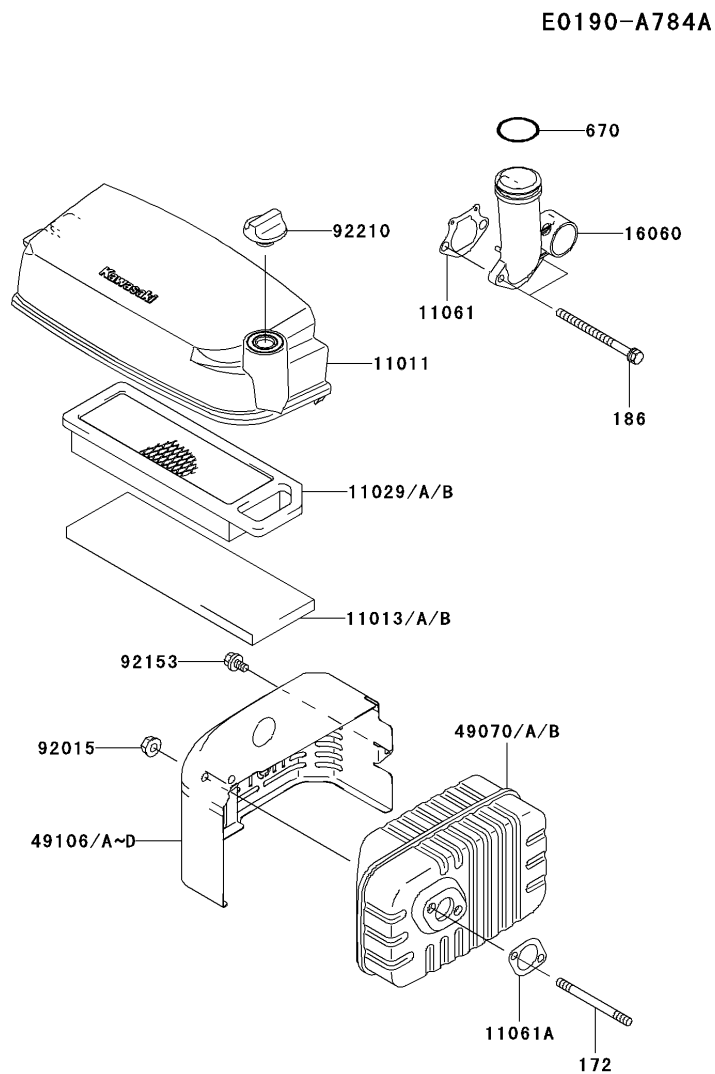
E0170-A478C



Ref No.	Part No.	Part Name	Qty	A B C		
	130	BOLT-FLANGED	2	2	2	
	130A	BOLT-FLANGED	1	1	1	
	214	SCREW-PAN+-	1	1	1	
	554	PIN-SNAP	1	1	1	
	13168	LEVER	1	1	1	
	13168A	LEVER	1	1	1	
	16169	LINK-CHOKE	1	1	1	
	16171	LINK,THROTTLE	1	1	1	
	39003	ARM-PIVOT	1	1	1	
	39129	SPRING-GOVERNOR	*	1	1	
	39129A	SPRING-GOVERNOR		*		
	39129B	SPRING-GOVERNOR			1	
	39129C	SPRING-GOVERNOR	1			
	39129D	SPRING-GOVERNOR		1		
	39182	PANEL-ASSY-CONTROL	1	1	1	
	42036	SLEEVE	1	1	1	
	49103	ARM-GOVERNOR	1	1	1	
	49110	GOVERNOR-ASSY	1	1	1	
	92002	BOLT	1	1	1	
	92015	NUT	1	1	1	
	92015A	NUT	1	1	1	
	92022	WASHER,6X19X1.2	2	2	2	
	92026	SPACER	1	1	1	
	92037	CLAMP	1	1	1	
	92143	COLLAR,6X13X2.3	2	2	2	
	92144	SPRING	1	1	1	
	92145	SPRING,THROTTLE	1	1	1	
	92145A	SPRING	1	1	1	
	92150	BOLT,5X18	1	1	1	
	92200	WASHER,6.5X11.5X2.0	1	1	1	

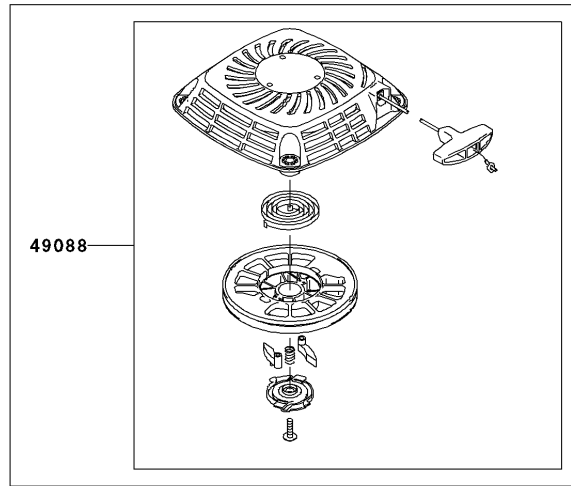
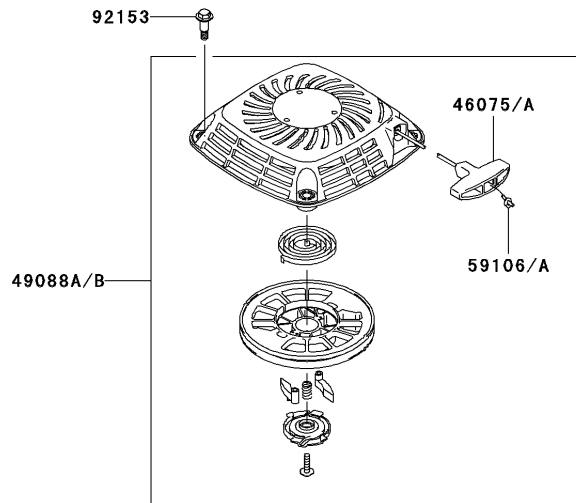


Ref No.	Part No.	Part Name	Qty		
			A	B	C
11060	11060-2190	GASKET	1	1	1
11061	11061-7010	GASKET,SCREW	1	1	1
11061A	11061-7015	GASKET,INSULATOR	2	2	2
13107	13107-7024	SHAFT	1	1	1
15003	15003-7110	CARBURETOR-ASSY	1	1	1
16009	16009-2136	NEEDLE-JET	1	1	1
16014	16014-7008	SCREW-PILOT AIR	1	1	1
16020	16020-7004	CHAMBER-FLOAT	1	1	1
16025	16025-7007	VALVE-THROTTLE	1	1	1
16041	16041-7019	SHAFT-CARBURETOR	1	1	1
16041A	16041-7020	SHAFT-CARBURETOR	1	1	1
16073	16073-7006	INSULATOR	1	1	1
16183	16183-2002	FLOAT-ASSY	1	1	1
16186	16186-7003	VALVE-ASSY-CHOKE	1	1	1
39076	39076-7001	LIMITER	1	1	1
49121	49121-7008	NOZZLE-MAIN	1	1	1
92009	92009-2083	SCREW	1	1	1
92009A	92009-2349	SCREW	1	1	1
92063	92063-7049	JET-MAIN,#74	1	1	1
92081	92081-2234	SPRING	1	1	1
92093	92093-2100	SEAL	2	2	2
92145	92145-7015	SPRING	1	1	1
92172	92172-7002	SCREW	1	1	1
99916	99916-7007	KIT-KHI PARTS,JET-MAIN			AR
99916A	99916-7007	KIT-KHI PARTS,JET-MAIN	AR	AR	

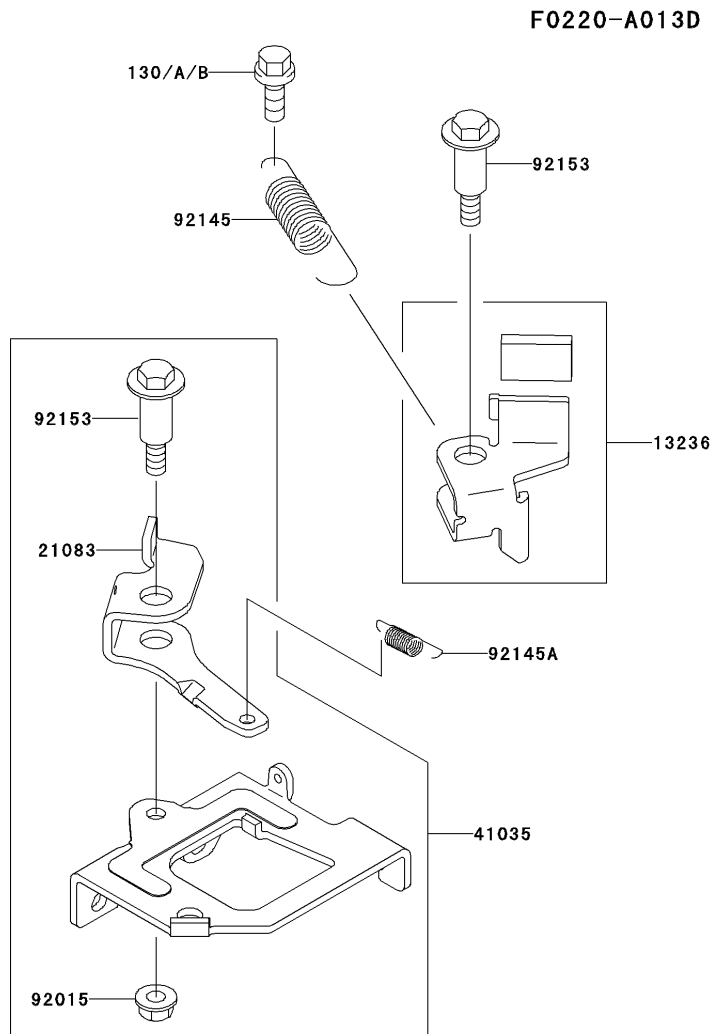


Ref No.	Part No.	Part Name	Qty		
			A	B	C
172	172G0680	BOLT-STUD	2	2	2
186	186B0680	BOLT-UPSET-WP	2	2	2
670	670B3032	O RING,32MM	1	1	1
11011	11011-7028	CASE-AIR FILTER	1	1	1
11013	11013-7018	ELEMENT-AIR FILTER	*	*	
11013A	11013-7032	ELEMENT-AIR FILTER			1
11013B	11013-7032	ELEMENT-AIR FILTER	1	1	
11029	11029-7016	ELEMENT-ASSY-AIR FILTER	*		
11029A	11029-7021	ELEMENT-ASSY-AIR FILTER		1	1
11029B	11029-7021	ELEMENT-ASSY-AIR FILTER	1		
11061	11061-7012	GASKET,PIPE INTAKE	1	1	1
11061A	11061-7029	GASKET,MUFFLER	1	1	1
16060	16060-7012	PIPE-INTAKE	1	1	1
49070	49070-7018	MUFFLER-COMP	*		
49070A	49070-7019	MUFFLER-COMP		1	1
49070B	49070-7019	MUFFLER-COMP	1		
49106	49106-7008	COVER-MUFFLER	*		
49106A	49106-7008	COVER-MUFFLER		*	
49106B	49106-7011	COVER-MUFFLER			1
49106C	49106-7011	COVER-MUFFLER	1		
49106D	49106-7011	COVER-MUFFLER		1	
92015	92015-1193	NUT	2	2	2
92153	92153-7023	BOLT	1	1	1
92210	92210-7019	NUT	1	1	1

E0210-A324A



Ref No.	Part No.	Part Name	Qty		
			A	B	C
46075	46075-7002	GRIP		1	1
46075A	46075-7002	GRIP	1		
49088	49088-7011	STARTER-RECOIL	*		
49088A	49088-7017	STARTER-RECOIL		1	1
49088B	49088-7017	STARTER-RECOIL	1		
59106	59106-7003	ROPE,2200MM		1	1
59106A	59106-7003	ROPE,2200MM	1		
92153	92153-7021	BOLT,M6	4	4	4



Ref No.	Part No.	Part Name	Qty		
			A	B	C
130	130B0610	BOLT-FLANGED	*	*	
130A	130B0612	BOLT-FLANGED			1
130B	130B0612	BOLT-FLANGED	1	1	
13236	13236-7006	LEVER-COMP	1	1	1
21083	21083-7016	ARM	1	1	1
41035	41035-7005	PANEL-ASSY-BRAKE	1	1	1
92015	92015-1193	NUT	1	1	1
92145	92145-7023	SPRING	1	1	1
92145A	92145-7032	SPRING	1	1	1
92153	92153-7020	BOLT	2	2	2

F0290-B100A

Ref No.	Part No.	Part Name	Qty		
			A	B	C
56033	56033-7003	LABEL-MANUAL	1	1	1
56070	56070-7001	LABEL-WARNING	1	1	1

56070



56033

