

This catalog covers:
FJ100D-□S50

GRID NO. This grid covers:
A-01 TITLE

PARTS CATALOG

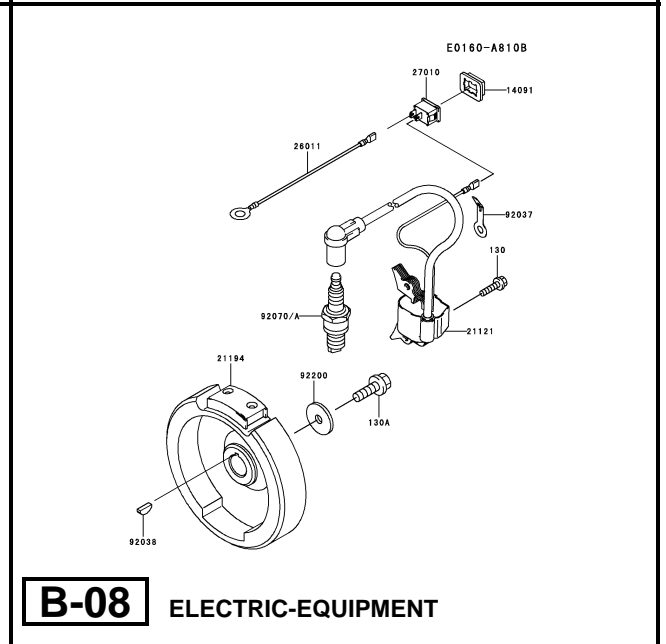
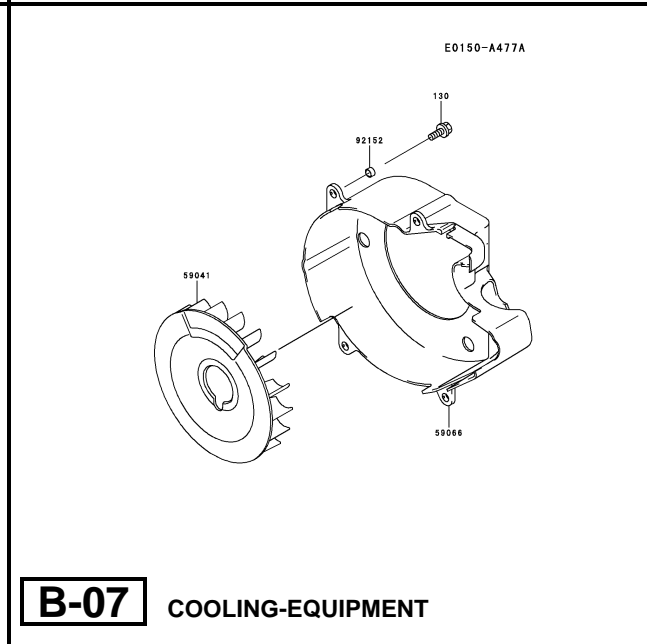
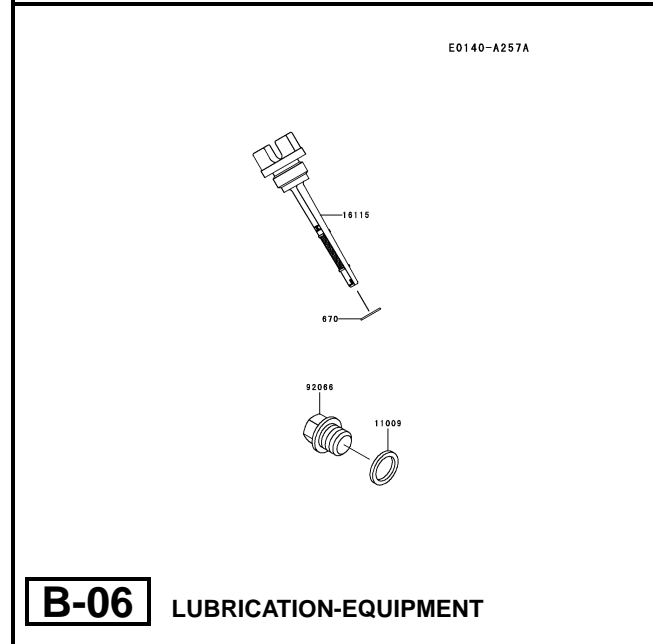
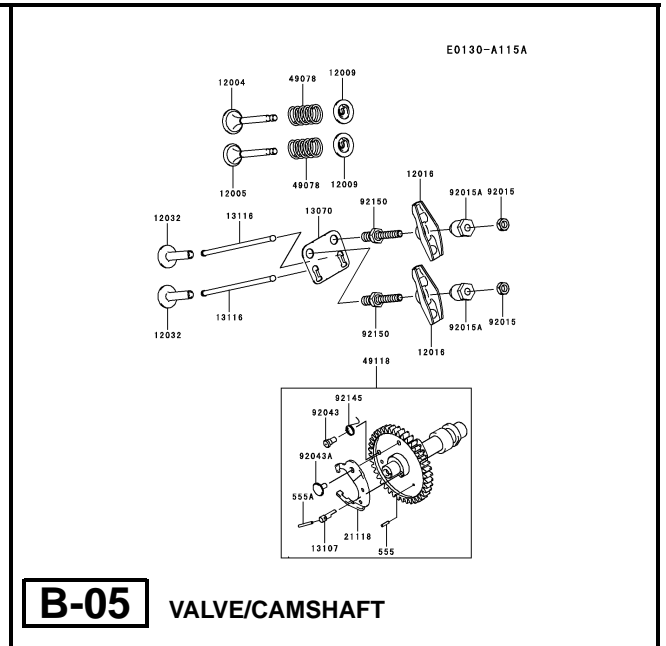
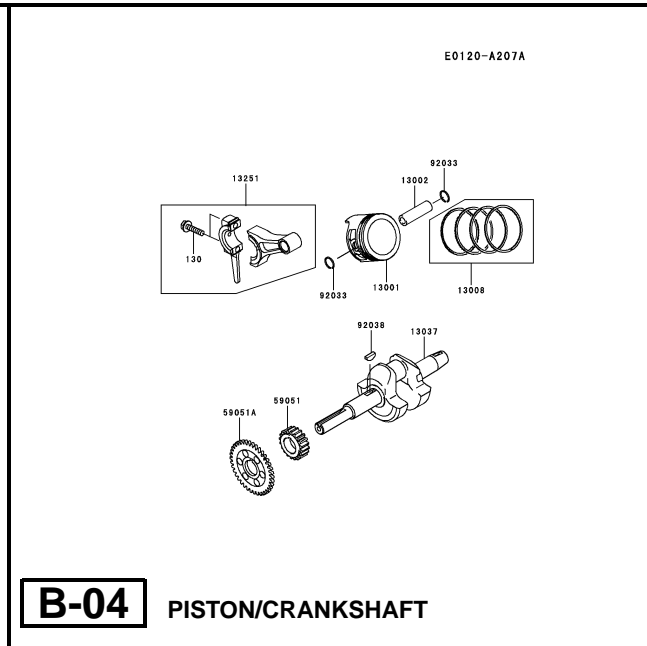
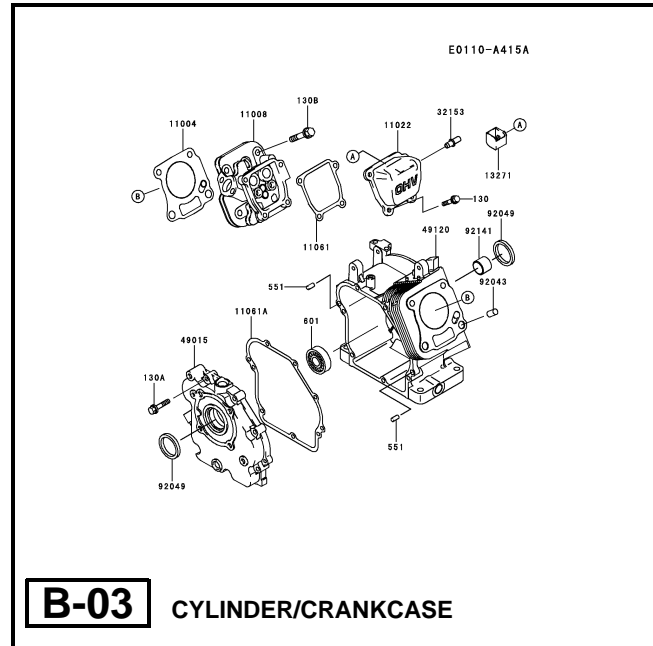
4-STROKE ENGINE

FJ100D

PRODUCT CODE	NOTE
FJ100D-AS50	

This catalog covers:
FJ100D- □ S50

GRID NO. This grid covers:
B-01 PICTORIAL INDEX



This catalog covers:

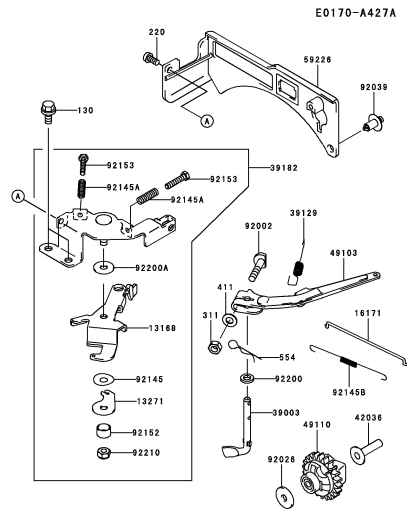
FJ100D- □ S50

GRID NO.

B-02

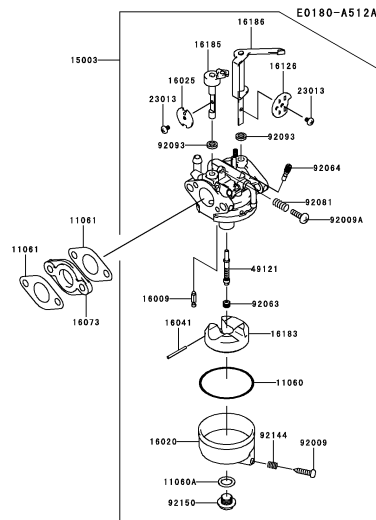
This grid covers:

PICTORIAL INDEX



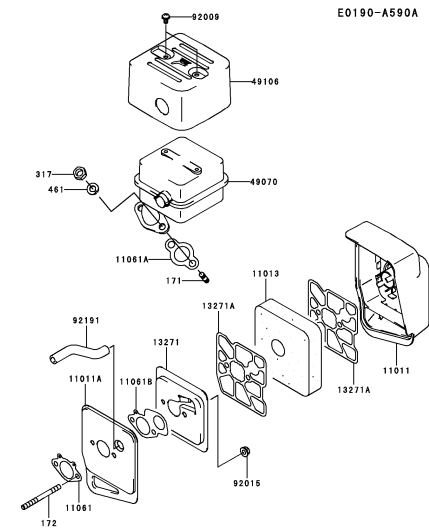
B-09

CONTROL-EQUIPMENT



B-10

CARBURETOR



B-11

AIR-FILTER/MUFFLER

This catalog covers:

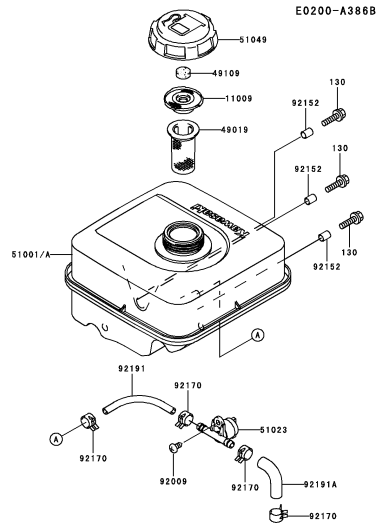
FJ100D- □ S50

GRID NO.

C-01

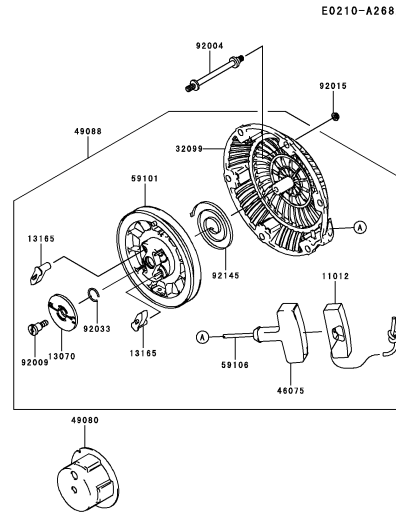
This grid covers:

PICTORIAL INDEX



C-03

FUEL-TANK/FUEL-VALVE



C-04

STARTER

This catalog covers:

FJ100D- □ S50

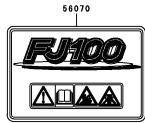
GRID NO.

D-01

This grid covers:

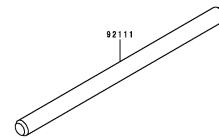
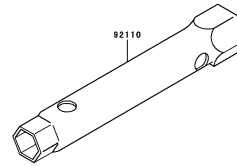
PICTORIAL INDEX

F0290-B061A



D-03 LABEL

F0300-A018A



D-04 TOOL

This catalog covers:

FJ100D- □ S50

GRID NO.

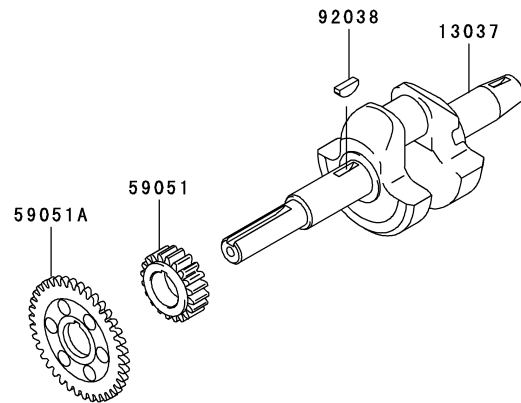
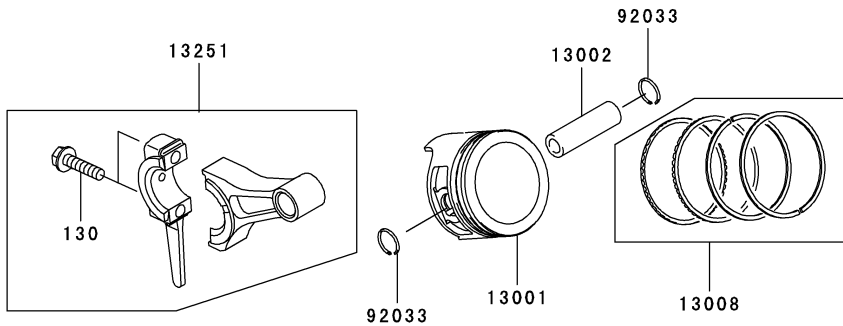
B-04

This grid covers:

PISTON/CRANKSHAFT

E0120-A207A

Ref. No.	Part No.	Description	Quantity
13001	13001-2155	PISTON-ENGINE	1
13002	13002-2083	PIN-PISTON	1
13008	13008-2061	RING-SET-PISTON	1
13037	13037-2569	CRANKSHAFT	1
13251	13251-2068	ROD-ASSY-CONNECTING	1
59051	59051-2367	GEAR-SPUR,CRANK	1
59051A	59051-2368	GEAR-SPUR,GOVERNOR	1
92033	92033-2051	RING-SNAP	2
92038	92038-003	KEY	1
130	130G0625	BOLT-FLANGED	2



This catalog covers:

FJ100D- □ S50

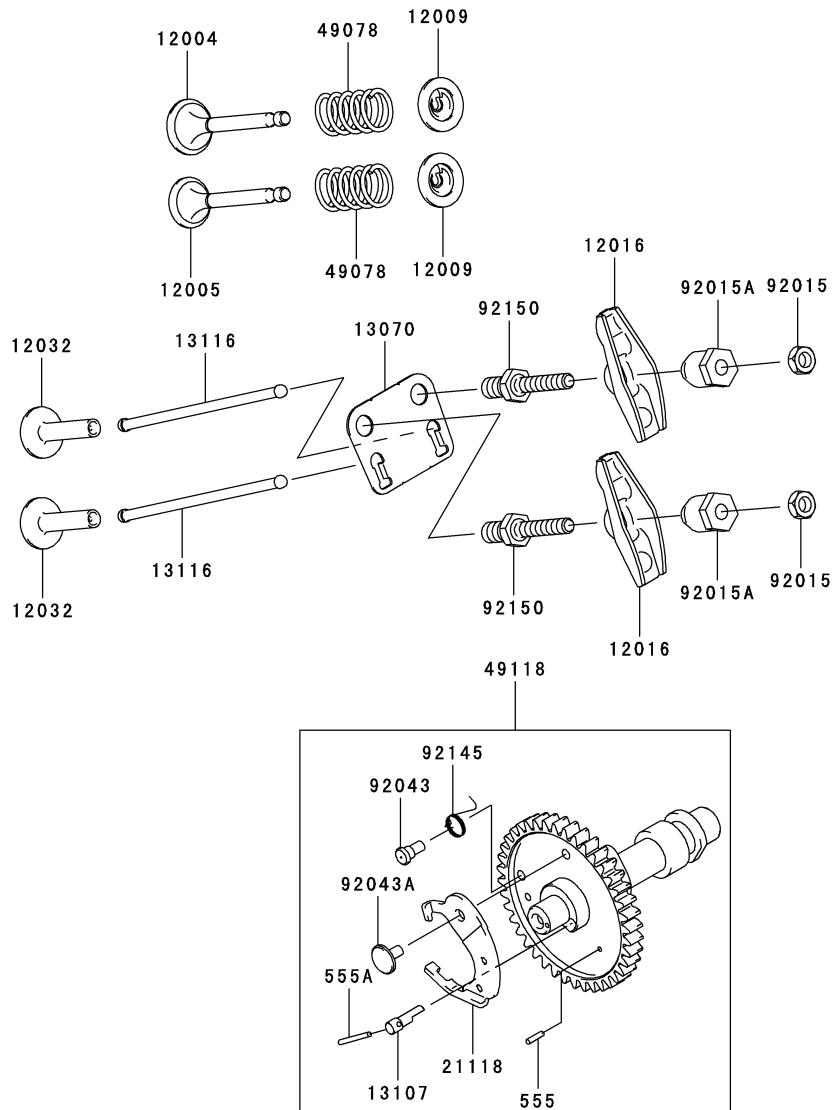
GRID NO.

B-05

This grid covers:

VALVE/CAMSHAFT

E0130-A115A



Ref. No.	Part No.	Description	Quantity
12004	12004-2114	VALVE-INTAKE	1
12005	12005-2102	VALVE-EXHAUST	1
12009	12009-2062	RETAINER-VALVE SPRING	2
12016	12016-2059	ARM-ROCKER	2
12032	12032-2065	TAPPET	2
13070	13070-2111	GUIDE, ROD-PUSH	1
13107	13107-2294	SHAFT	1
13116	13116-2075	ROD-PUSH	2
21118	21118-2094	DECOMPRESSOR	1
49078	49078-2085	SPRING-ENGINE VALVE	2
49118	49118-2147	CAMSHAFT-COMP	1
92015	92015-2240	NUT	2
92015A	92015-2253	NUT	2
92043	92043-2240	PIN, SPRING	1
92043A	92043-2242	PIN, DECOMPRESSOR	1
92145	92145-2107	SPRING	1
92150	92150-2198	BOLT	2
555	555A0208	PIN-SPRING	2
555A	555A0220	PIN-SPRING	1

This catalog covers:

FJ100D- □ S50

GRID NO.

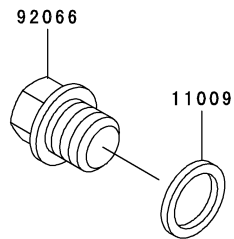
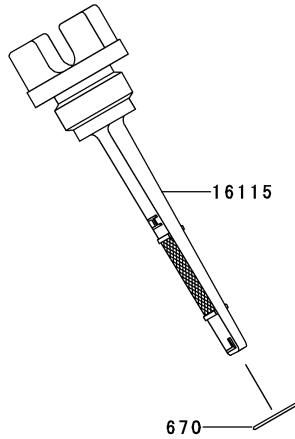
B-06

This grid covers:

LUBRICATION-EQUIPMENT

E0140-A257A

Ref. No.	Part No.	Description	Quantity
11009	11009-2175	GASKET,14.2X19X2	1
16115	16115-2128	CAP-OIL FILLER	1
92066	92066-2203	PLUG,DRAIN	1
670	670B2015	RING-O	1



This catalog covers:

FJ100D- □ S50

GRID NO.

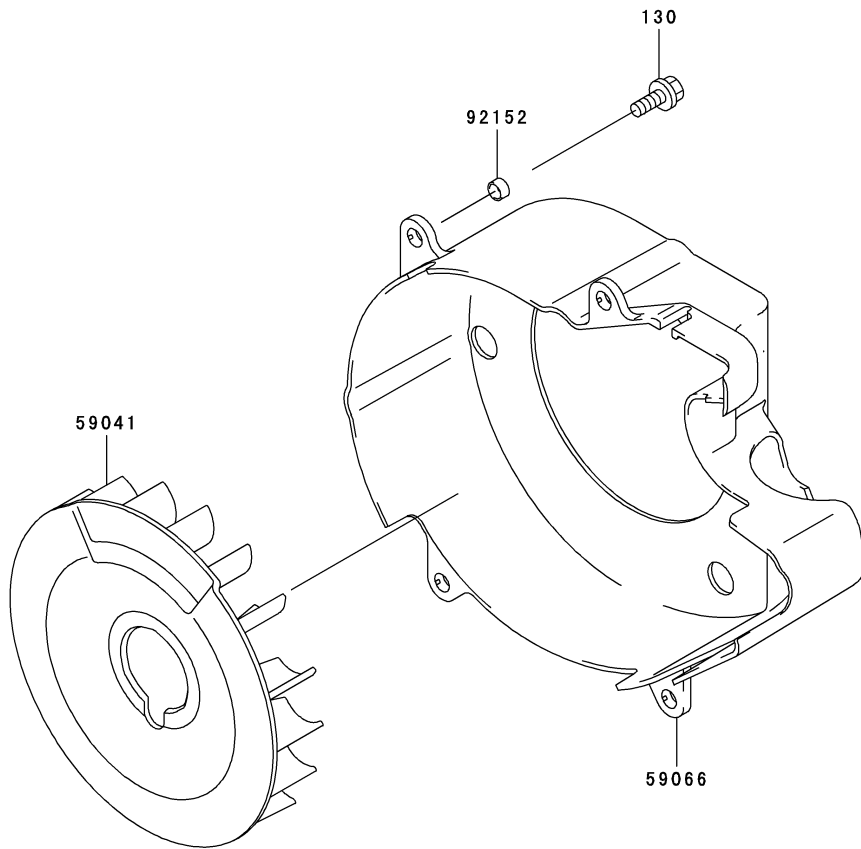
B-07

This grid covers:

COOLING-EQUIPMENT

E0150-A477A

Ref. No.	Part No.	Description	Quantity
59041	59041-2095	FAN	1
59066	59066-2764	HOUSING-FAN	1
92152	92152-2082	COLLAR	4
130	130G0614	BOLT-FLANGED	4



This catalog covers:

FJ100D- □ S50

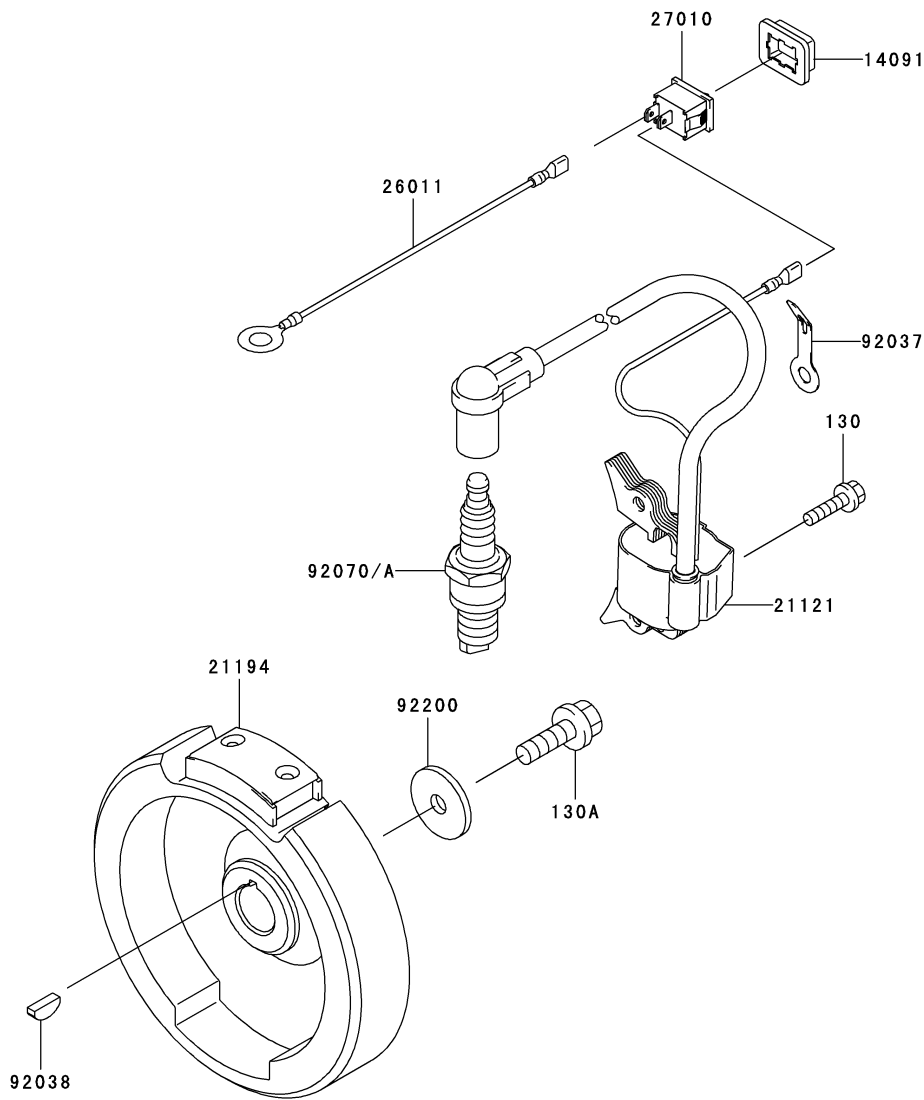
GRID NO.

B-08

This grid covers:

ELECTRIC-EQUIPMENT

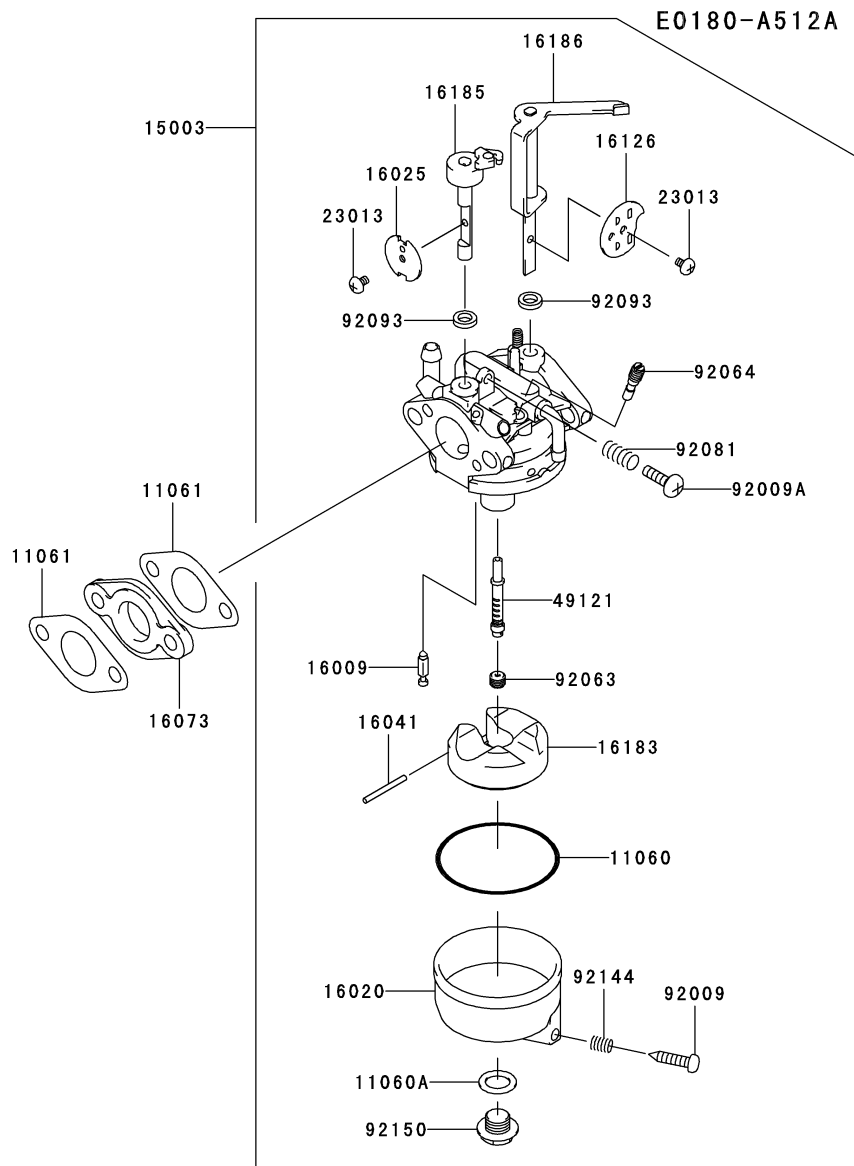
E0160-A810B



Ref. No.	Part No.	Description	Quantity
			A
14091	14091-2096	COVER	1
21121	21121-2093	COIL-IGNITION	1
21194	21194-2346	FLYWHEEL-COMP	1
26011	26011-2371	WIRE-LEAD,SWITCH	1
27010	27010-2231	SWITCH,IGNITION	1
92037	92037-2165	CLAMP	1
92038	92038-003	KEY	1
92070	92070-2008	PLUG-SPARK,BR6HS(NGK)	*
92070A	92070-2117	PLUG-SPARK,BR6HS(NGK),SOLID	1
92200	92200-2142	WASHER	1
130	130B0520	BOLT-FLANGED	2
130A	130T0825	BOLT-FLANGED	1

This catalog covers:
FJ100D- □ S50

GRID NO. This grid covers:
B-10 CARBURETOR



Ref. No.	Part No.	Description	Quantity
11060	11060-2190	GASKET	1
11060A	11060-2191	GASKET	1
11061	11061-2103	GASKET	2
15003	15003-2823	CARBURETOR-ASSY	1
16009	16009-2136	NEEDLE-JET	1
16020	16020-2129	CHAMBER-FLOAT	1
16025	16025-2166	VALVE-THROTTLE	1
16041	16041-2224	SHAFT-CARBURETOR, FLOAT	1
16073	16073-2212	INSULATOR, INSULATOR	1
16126	16126-2236	VALVE	1
16183	16183-2002	FLOAT-ASSY	1
16185	16185-2044	VALVE-ASSY-THROTTLE	1
16186	16186-2039	VALVE-ASSY-CHOKE	1
23013	23013-2058	SCREW-ASSY	2
49121	49121-2241	NOZZLE-MAIN	1
92009	92009-2348	SCREW	1
92009A	92009-2349	SCREW	1
92063	92063-2429	JET-MAIN, #58	1
92064	92064-2136	JET-PILOT, #36	1
92081	92081-2234	SPRING	1
92093	92093-2100	SEAL	2
92144	92144-2333	SPRING	1
92150	92150-2263	BOLT	1

This catalog covers:

FJ100D- □ S50

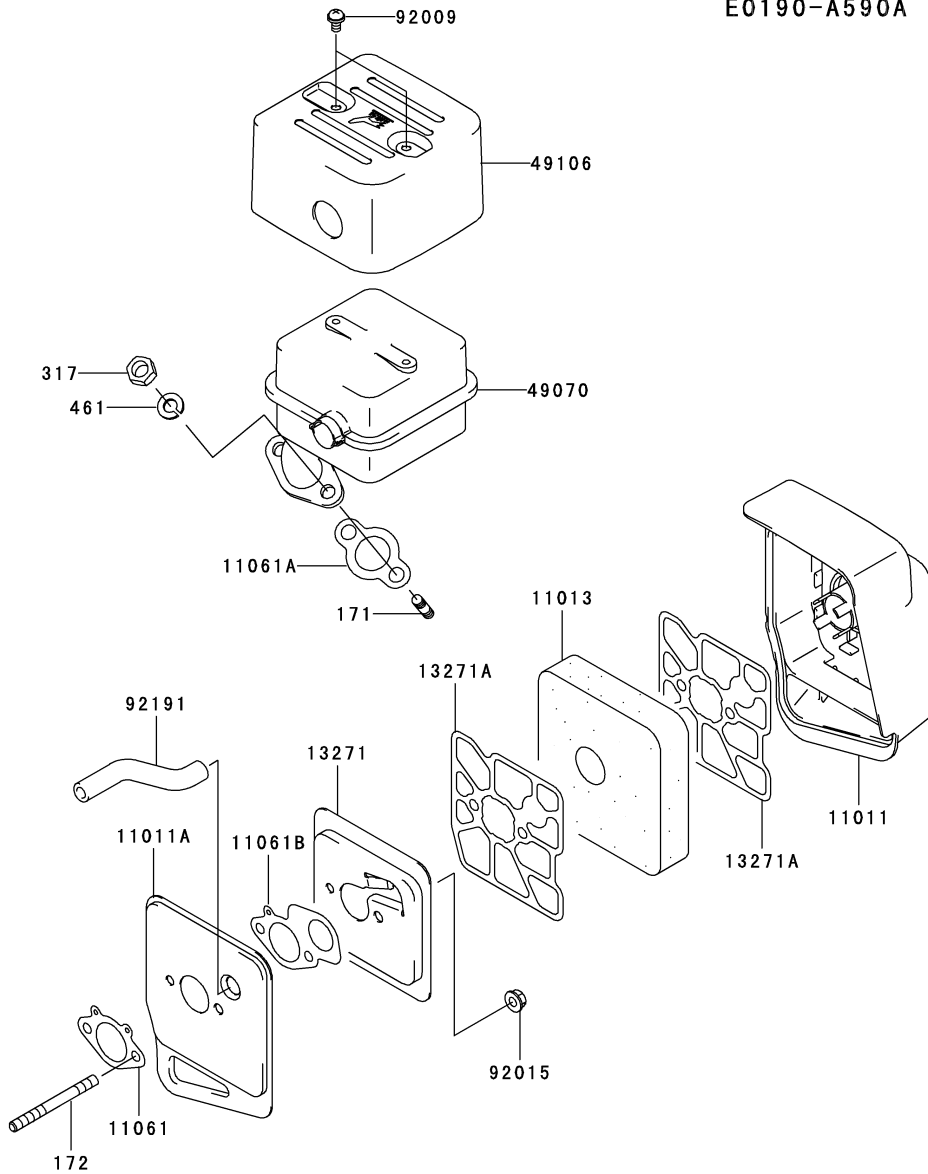
GRID NO.

B-11

This grid covers:

AIR-FILTER/MUFFLER

E0190-A590A



Ref. No.	Part No.	Description	Quantity
11011	11011-2329	CASE-AIR FILTER,UPP	1
11011A	11011-2336	CASE-AIR FILTER,LOW	1
11013	11013-2198	ELEMENT-AIR FILTER	1
11061	11061-2101	GASKET,CARB	1
11061A	11061-2102	GASKET,MUFFLER	1
11061B	11061-2111	GASKET	1
13271	13271-2203	PLATE	1
13271A	13271-2204	PLATE,ELEMENT	2
49070	49070-2746	MUFFLER-COMP	1
49106	49106-2655	COVER-MUFFLER	1
92009	92009-2322	SCREW	2
92015	92015-1193	NUT	2
92191	92191-2156	TUBE,7X12X105	1
171	171G0816	BOLT-STUD	2
172	172G0670	BOLT-STUD	2
317	317R0800	NUT-HEX-SMALL	2
461	461F0800	WASHER-SPRING	2

This catalog covers:

FJ100D- □ S50

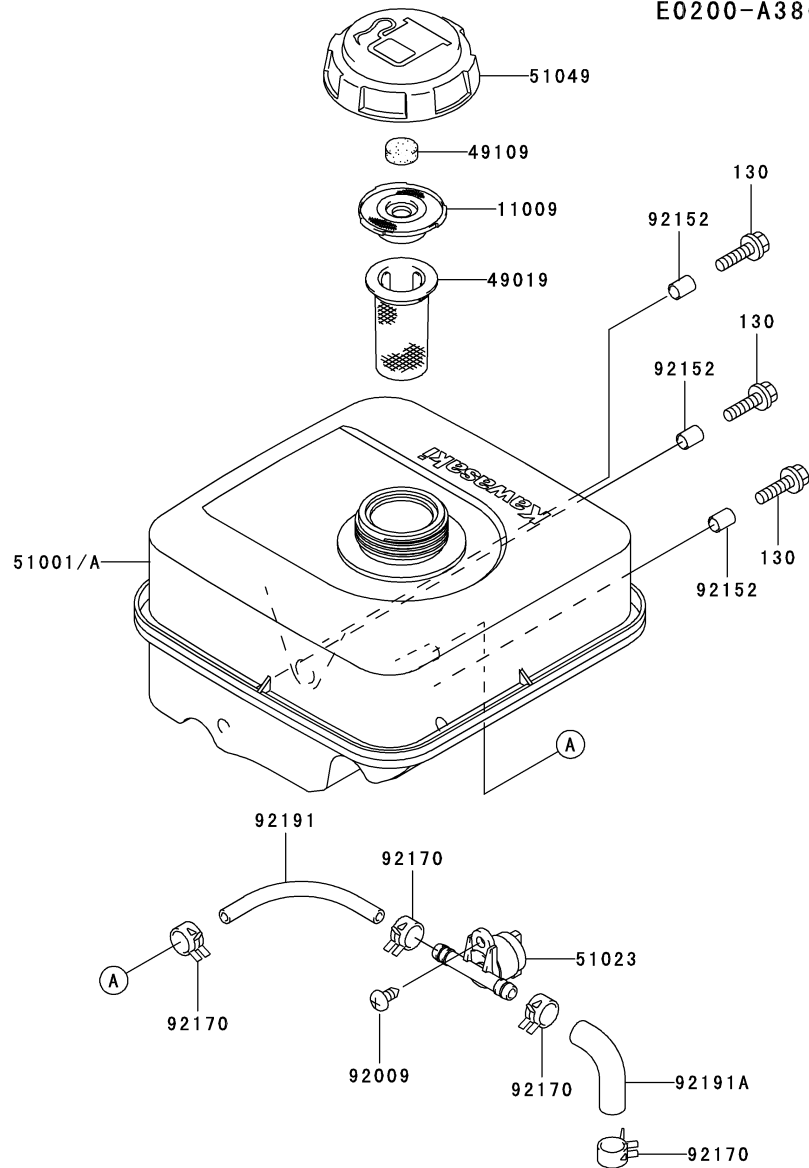
GRID NO.

C-03

This grid covers:

FUEL-TANK/FUEL-VALVE

E0200-A386B



Ref. No.	Part No.	Description	Quantity
			A
11009	11009-2831	GASKET,BREATHER	1
49019	49019-2060	FILTER-FUEL	1
49109	49109-2054	ELEMENT-BREATHER,TANK	1
51001	51001-2311	TANK-COMP-FUEL	*
51001A	51001-2318	TANK-COMP-FUEL	1
51023	51023-2169	TAP-ASSY	1
51049	51049-2100	CAP-TANK	1
92009	92009-2308	SCREW	1
92152	92152-2080	COLLAR	3
92170	92170-2043	CLAMP	4
92191	92191-2157	TUBE,7X12X95	1
92191A	92191-2158	TUBE	1
130	130G0620	BOLT-FLANGED	3

This catalog covers:

FJ100D- □ S50

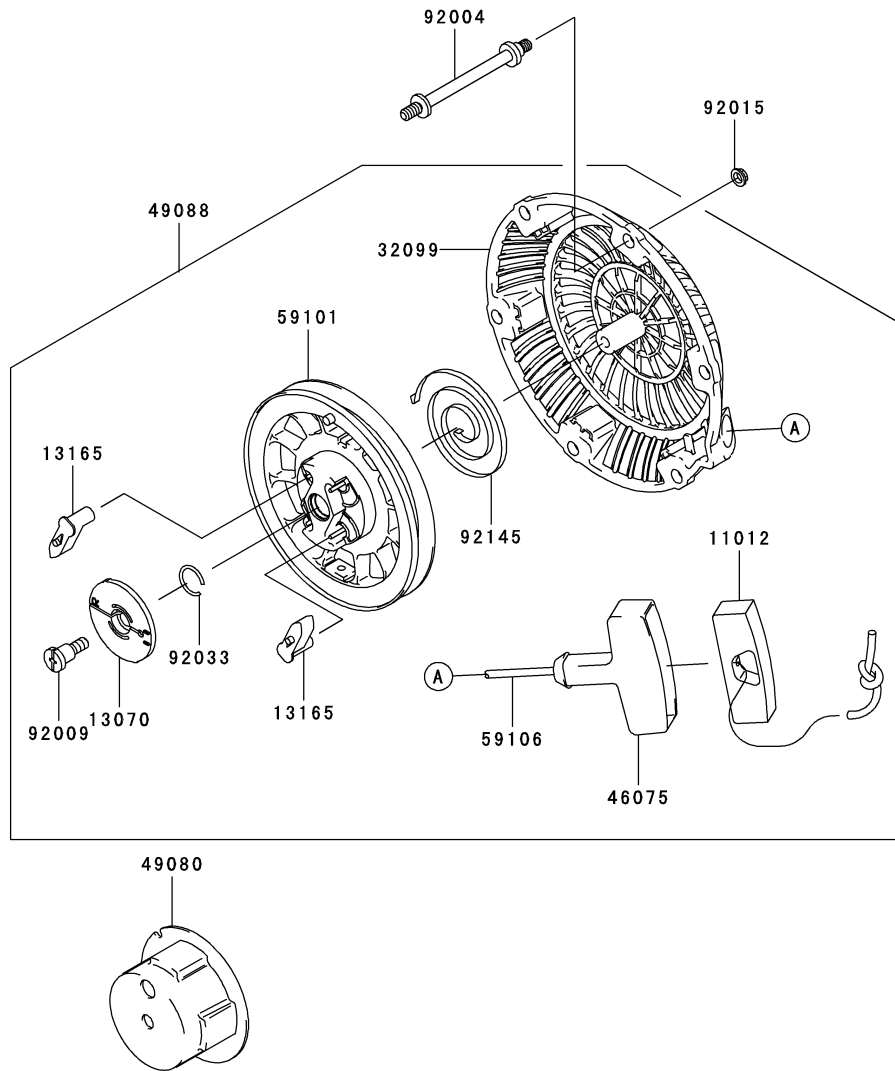
GRID NO.

C-04

This grid covers:

STARTER

E0210-A268A



Ref. No.	Part No.	Description	Quantity
11012	11012-2255	CAP,GRIP	1
13070	13070-2112	GUIDE	1
13165	13165-2099	PAWL,RECOIL STARTER	2
32099	32099-2382	CASE,RECOIL STARTER	1
46075	46075-2091	GRIP,RECOIL STARTER	1
49080	49080-2186	PULLEY-STARTING	1
49088	49088-2514	STARTER-RECOIL	1
59101	59101-2113	REEL,RECOIL STARTER	1
59106	59106-2162	ROPE,4X1450	1
92004	92004-2156	STUD	3
92009	92009-2347	SCREW	1
92015	92015-1193	NUT	3
92033	92033-2160	RING-SNAP	1
92145	92145-2121	SPRING	1

This catalog covers:

FJ100D- □ S50

GRID NO.

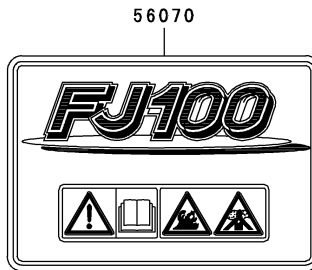
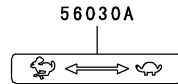
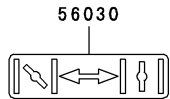
D-03

This grid covers:

LABEL

F0290-B061A

Ref. No.	Part No.	Description	Quantity
56030	56030-2386	LABEL,CHOKE	1
56030A	56030-2600	LABEL	1
56070	56070-2071	LABEL-WARNING	1
56080	56080-2077	LABEL-BRAND	1



This catalog covers:

FJ100D- □ S50

GRID NO.

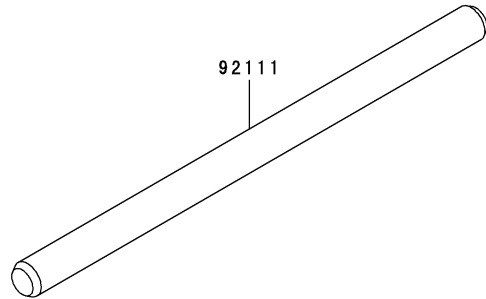
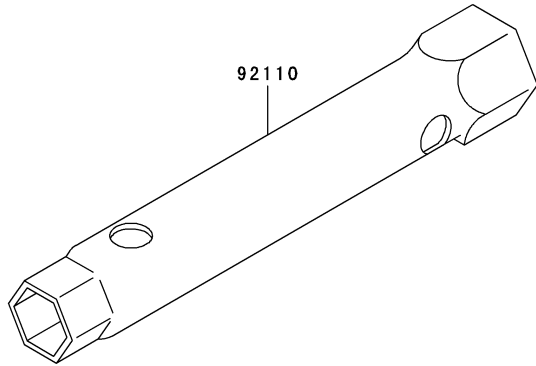
D-04

This grid covers:

TOOL

F0300-A018A

Ref. No.	Part No.	Description	Quantity
92110	92110-2098	TOOL-WRENCH,14X21	1
92111	92111-2053	TOOL-BAR	1



This catalog covers:

FJ100D- □ S50

GRID NO.

H-09

This grid covers:

PART NAME INDEX

AIR-FILTER/MUFFLER.....	B-11
CARBURETOR.....	B-10
CONTROL-EQUIPMENT.....	B-09
COOLING-EQUIPMENT.....	B-07
CYLINDER/CRANKCASE.....	B-03
ELECTRIC-EQUIPMENT.....	B-08
FUEL-TANK/FUEL-VALVE.....	C-03
LABEL.....	D-03
LUBRICATION-EQUIPMENT.....	B-06
PISTON/CRANKSHAFT.....	B-04
STARTER.....	C-04
TOOL.....	D-04
VALVE/CAMSHAFT.....	B-05

This catalog covers:

FJ100D- □ S50

GRID NO.

H-10

This grid covers:

NUMERICAL PARTS INDEX

Part No.	Grid No.	Part No.	Grid No.	Part No.	Grid No.	Part No.	Grid No.	Part No.	Grid No.
11004-2143.....	B-03	172G0670.....	B-11	92015-1193.....	B-11				
11008-2156.....	B-03	21118-2094.....	B-05	92015-1193.....	C-04				
11009-2175.....	B-06	21121-2093.....	B-08	92015-2240.....	B-05				
11009-2831.....	C-03	21194-2346.....	B-08	92015-2253.....	B-05				
11011-2329.....	B-11	220B0510.....	B-09	92033-2051.....	B-04				
11011-2336.....	B-11	23013-2058.....	B-10	92033-2160.....	C-04				
11012-2255.....	C-04	26011-2371.....	B-08	92037-2165.....	B-08				
11013-2198.....	B-11	27010-2231.....	B-08	92038-003.....	B-04				
11022-2075.....	B-03	311B0600.....	B-09	92038-003.....	B-08				
11060-2190.....	B-10	317R0800.....	B-11	92039-2076.....	B-09				
11060-2191.....	B-10	32099-2382.....	C-04	92043-1037.....	B-03				
11061-2100.....	B-03	32153-2093.....	B-03	92043-2240.....	B-05				
11061-2101.....	B-11	39003-2073.....	B-09	92043-2242.....	B-05				
11061-2102.....	B-11	39129-2104.....	B-09	92049-2001.....	B-03				
11061-2103.....	B-10	39182-2179.....	B-09	92063-2429.....	B-10				
11061-2104.....	B-03	411B0600.....	B-09	92064-2136.....	B-10				
11061-2111.....	B-11	42036-2060.....	B-09	92066-2203.....	B-06				
12004-2114.....	B-05	46075-2091.....	C-04	92070-2008.....	B-08				
12005-2102.....	B-05	461F0800.....	B-11	92070-2117.....	B-08				
12009-2062.....	B-05	49015-6249.....	B-03	92081-2234.....	B-10				
12016-2059.....	B-05	49019-2060.....	C-03	92093-2100.....	B-10				
12032-2065.....	B-05	49070-2746.....	B-11	92110-2098.....	D-04				
13001-2155.....	B-04	49078-2085.....	B-05	92111-2053.....	D-04				
13002-2083.....	B-04	49080-2186.....	C-04	92141-2120.....	B-03				
13008-2061.....	B-04	49088-2514.....	C-04	92144-2333.....	B-10				
13037-2569.....	B-04	49103-2157.....	B-09	92145-2107.....	B-05				
13070-2111.....	B-05	49106-2655.....	B-11	92145-2108.....	B-09				
13070-2112.....	C-04	49109-2054.....	C-03	92145-2109.....	B-09				
130B0520.....	B-08	49110-2086.....	B-09	92145-2111.....	B-09				
130B0612.....	B-03	49118-2147.....	B-05	92145-2121.....	C-04				
130B0612.....	B-09	49120-6139.....	B-03	92150-2198.....	B-05				
130G0614.....	B-07	49121-2241.....	B-10	92150-2263.....	B-10				
130G0620.....	C-03	51001-2311.....	C-03	92152-2080.....	C-03				
130G0625.....	B-04	51001-2318.....	C-03	92152-2081.....	B-09				
130G0630.....	B-03	51023-2169.....	C-03	92152-2082.....	B-07				
130T0825.....	B-08	51049-2100.....	C-03	92153-2067.....	B-09				
130T0840.....	B-03	551A0612.....	B-03	92170-2043.....	C-03				
13107-2294.....	B-05	554A0600.....	B-09	92191-2156.....	B-11				
13116-2075.....	B-05	555A0208.....	B-05	92191-2157.....	C-03				
13165-2099.....	C-04	555A0220.....	B-05	92191-2158.....	C-03				
13168-2481.....	B-09	56030-2386.....	D-03	92200-2029.....	B-09				
13251-2068.....	B-04	56030-2600.....	D-03	92200-2036.....	B-09				
13271-2202.....	B-03	56070-2071.....	D-03	92200-2141.....	B-09				
13271-2203.....	B-11	56080-2077.....	D-03	92200-2142.....	B-08				
13271-2204.....	B-11	59041-2095.....	B-07	92210-2095.....	B-09				
13271-2205.....	B-09	59051-2367.....	B-04						
14091-2096.....	B-08	59051-2368.....	B-04						
15003-2823.....	B-10	59066-2764.....	B-07						
16009-2136.....	B-10	59101-2113.....	C-04						
16020-2129.....	B-10	59106-2162.....	C-04						
16025-2166.....	B-10	59226-2331.....	B-09						
16041-2224.....	B-10	601A6004.....	B-03						
16073-2212.....	B-10	670B2015.....	B-06						
16115-2128.....	B-06	92002-2269.....	B-09						
16126-2236.....	B-10	92004-2156.....	C-04						
16171-2095.....	B-09	92009-2308.....	C-03						
16183-2002.....	B-10	92009-2322.....	B-11						
16185-2044.....	B-10	92009-2347.....	C-04						
16186-2039.....	B-10	92009-2348.....	B-10						
171G0816.....	B-11	92009-2349.....	B-10						