

Parts Catalog

MODEL

FG300D-X

FG300D-X

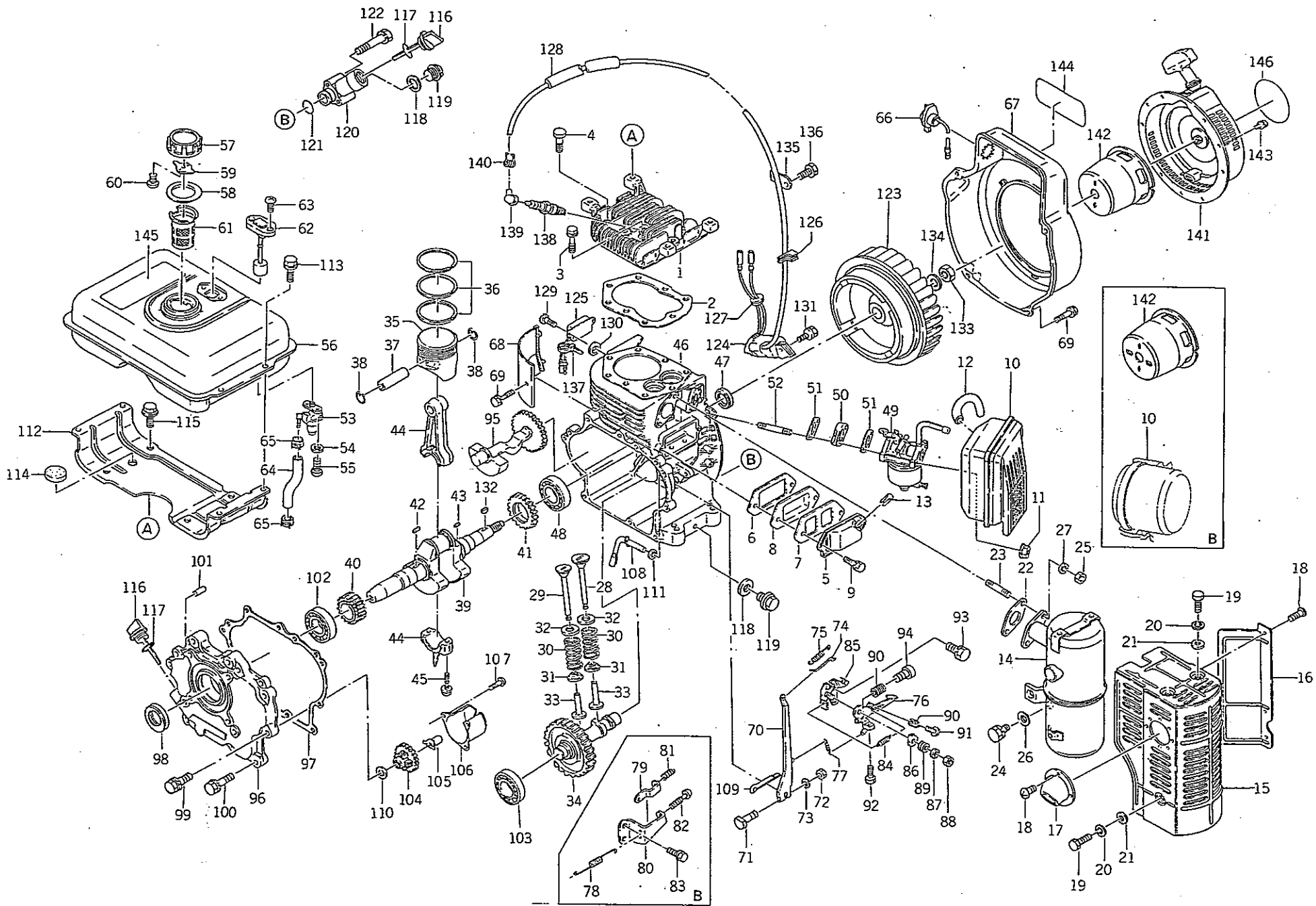
PRODUCT CODE

315825A

FG300D-AA51, BA51



© KAWASAKI HEAVY INDUSTRIES, LTD.
ENGINE DIVISION
861008 Printed in Japan



FG300D-X 315852A
 FG300D-AA51, BA51

FG300D-X 315852A (A)
 FG300D-AA51,BA51 (A,B)

Ref. No.	Part No.	Part Name	Quantity		Remarks
			A	B	
1	315801-1111B	HEAD, cylinder	1	1	
2	315801-1121A	GASKET, head	1	1	
3	315801-1181A	BOLT, cylinder head	3	3	
4	130G1045	BOLT (10x45)	5	5	
5	315801-1231A	COVER, inspection	1	1	
6	316470-1232-00	GASKET	1	1	
7	315801-1233A	GASKET	1	1	
8	315801-1510E	BREATHER	1	1	
9	130B0612	BOLT (6x12)	2	2	
10	315801-1310A	AIR CLEANER ASSY	1	1	Fig. A-1
11	11010-2276	AIR FILTER ASSY	1	1	Fig. A-2
12	92015-1193	NUT	2	2	
13	315801-1531B	PIPE	1	1	
14	702A071000	TUBE, rubber	1	1	λ=130mm
15	314401-1341A	PIPE	1	1	
16	315801-1410A	MUFFLER ASSY	1	1	
17	315801-1431A	COVER, muffler	1	1	
18	49106-2320	COVER, muffler	1	1	
19	315801-1449A	PIPE, tail	1	1	
20	314405-3092A	SCREW	7	7	
21	110R0610	BOLT (6x10)	5	5	
22	461F0600A	WASHER, spring	5	5	
23	410B0600	WASHER	5	5	
24	316470-1442-00	GASKET	1	1	
25	171G0818	STUD	2	2	
26	183B0814	BOLT (8x14)	1	1	
27	317R0800	NUT (8mm)	2	2	
28	410B0800	WASHER	1	1	
29	461F0800	WASHER, spring	2	2	
30	12004-2074	VALVE, inlet	1	1	
31	315801-2112A	VALVE, exhaust	1	1	
32	315801-2113A	SPRING, valve	1	1	
33	315801-2116A	SEAT, spring	2	2	
34	315801-2121A	SEAT, spring	2	2	
35	315801-2211A	TAPPET	2	2	
36	315811-2311A	GEAR, cam	1	1	
	315801-3111F	PISTON	1	1	S.T.D
	13029-2075	PISTON	AR	AR	O/S 0.25mm
	13029-2076	PISTON	AR	AR	O/S 0.50mm
	315801-3010B	PISTON RING SET	1	1	S.T.D
	13025-2071	PISTON RING SET	AR	AR	O/S 0.25mm
	13025-2072	PISTON RING SET	AR	AR	O/S 0.50mm

FG300D-X 315852A (A)
 FG300D-X FG300D-AA51, BA51 (A,B)

Ref. No.	Part No.	Part Name	Quantity		Remarks
			A	B	
37	13002-2068	PIN, piston	1	1	
38	315801-3122A	RING, snap	2	2	
39	315814-3210A	CRANK SHAFT ASSY	1	1	
40	315811-3217A	•GEAR, crank	1	1	
41	315801-3333A	•GEAR, balancer	1	1	
42	313650-2371-00	•KEY	1	1	
43	312651-3321-00	•KEY	1	1	
44	315801-3240B	CONNECTING ROD ASSY	1	1	
45	315801-3245A	•BOLT, connecting rod	2	2	
46	315824-4110D	CRANK CASE ASSY	1	1	
47	315801-4231A	SEAL, oil	1	1	
48	601A6206	BEARING, ball (6206)	1	1	
49	15001-2327	CARBURETOR ASSY	1	1	
50	315801-6181A	INSULATOR	1	1	
	16073-2092	INSULATOR		1	
51	315801-6184A	GASKET	2	2	
52	172G0685	STUD	2		
	172G0692	STUD		2	
53	51023-2096	TAP ASSY	1	1	
54	315801-6625A	WASHER	2	2	
55	315801-6577A	SCREW	2	2	
56	315801-6610A	FUEL TANK ASSY	1	1	
57	315801-6640F	•CAP, tank	1	1	
58	315801-6643B	••GASKET	1	1	
59	315801-6644A	••SPRING	1	1	
60	314401-6732A	••SCREW	2	2	
61	315801-6661F	•STRAINER, fuel	1	1	
62	315801-6665E	•GAUGE	1	1	
63	315801-6577A	•SCREW	2	2	
64	702A051000	TUBE, rubber	1		
	315802-6811A	TUBE, rubber		1	
65	313679-6812-00	CLIP	2	2	
66	315801-8511A	SWITCH, stop	1	1	
67	59066-2112-9U	CASE, spiral	1	1	
68	315821-1632B	COVER, cylinder	1	1	
69	130B0612	BOLT (6x12)	5	5	
70	315801-5211C	ARM, governor	1	1	
71	92002-2269	BOLT (6x30)	1	1	
72	311B0600	NUT (6mm)	1	1	
73	411B0600	WASHER	1	1	
74	315801-5231B	LINK, governor	1	1	
75	315801-5232B	SPRING, link	1	1	

Fig. T-1

λ=62mm

Fig. C-1

FG 300D-X 315852A (A)
 FG300D-X FG300D-AA51,BA51 (A,B)

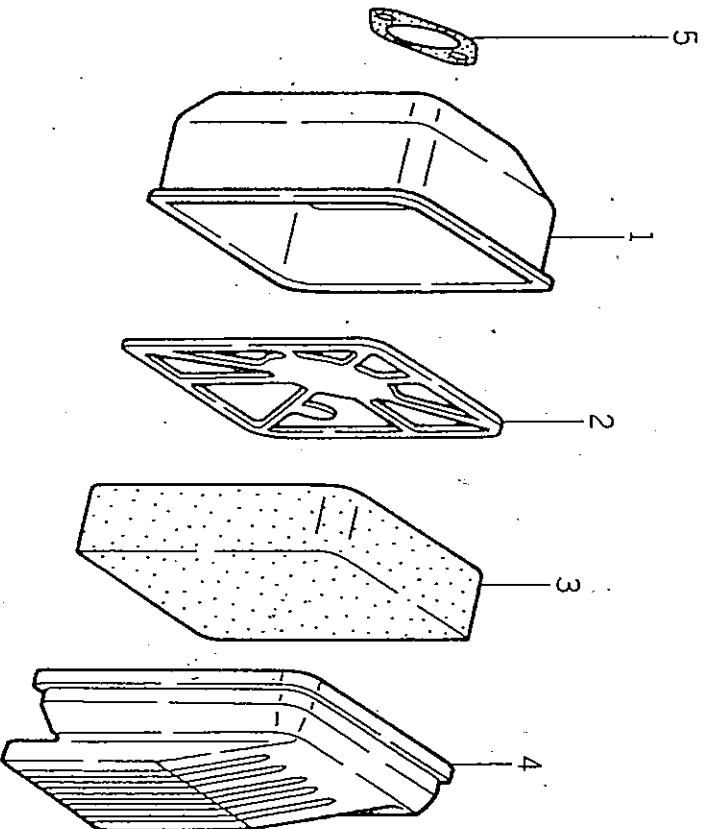
Ref. No.	Part No.	Part Name	Quantity		Remarks
			A	B	
76	315801-5310A	LEVER, control	1		
77	315801-5314A	SPRING, governor	1		
78	31361H-5314A	SPRING, governor		1	
79	314445-5417A	HOOK		1	
80	11045-2009	BRACKET		1	
81	314401-5321B	SPRING		1	
82	214B0425	SCREW (4x25)		1	
83	130B0612	BOLT (6x12)		1	
84	315801-5317B	SPRING, return		2	
85	315801-5335A	BRACKET	1		
86	315801-5337A	BRACKET	1		
87	314401-5383A	WASHER	1		
88	314401-5385A	NUT	1		
89	314401-5388A	SPRING	1		
90	92144-2004	SPRING	2		
91	214B0516A	SCREW (5x16)	1		
92	316671-5381A	BOLT	1		
93	130B0612	BOLT (6x12)	2		
94	214B0518	SCREW (5x18)	1		
95	315801-3331A	BALANCER, dynamic	1	1	
96	315811-4120A	SIDE BASE	1		
97	49015-6022	SIDE BASE		1	
98	315801-4235A	GASKET	1	1	
99	130B0828	SEAL, oil	1	1	
100	130B0835	BOLT (8x28)	2	2	
101	551A0816	BOLT (8x35)	7	7	
102	601A6206	PIN, dowel	2	2	
103	601A6204	BEARING, ball (6206)	1	1	
104	315801-5110A	BEARING, ball (6204)	1	1	
105	314401-5121B	GOVERNOR ASSY	1	1	
106	315801-5147A	SLEEVE, governor	1	1	
107	14024-2067	COVER	1	1	
108	314405-3092A	SCREW	3	3	
109	315801-5122A	TIP, governor	1	1	
110	554A0600	PIN, snap	1	1	
111	314401-5135A	WASHER	1	1	
112	410B0600	WASHER	1	1	
113	315801-6711C	BRACKET, tank	1	1	
114	187B0614	BOLT (6x14)	4	4	
115	315801-6723A	DAMPER	2	2	
	315801-1482A	BOLT	4	4	

FG300D-X 315852A (A)
 FG300D-X FG300D-AA51,BA51 (A,B)

Ref. No.	Part No.	Part Name	Quantity		Remarks
			A	B	
116	315801-7411A	GAUGE, oil	2	2	
117	92055-2064	O-RING	2	2	
118	315470-7214A	GASKET	3	3	
119	315470-7441A	PLUG	3	3	
120	315823-7448C	ELBOW	1	1	
121	670B2018	O-RING	1	1	
122	150B0640	BOLT (6x40)	2		
	180B0640	BOLT (6x40)		2	
123	315811-8111A	FLYWHEEL	1		
	21194-2121	FLYWHEEL		1	
124	315811-8103A	COIL, Ignition	1	1	
125	315801-8465B	IGNITER	1	1	
126	315801-8164A	GROMMET	1	1	
127	315801-8165A	GROMMET	1	1	
128	31362A-8168-00	TUBE	1	1	
129	315601-6732A	SCREW	2	2	
130	315801-6625A	WASHER	4	4	
131	180B0625	BOLT (6x25)	2		
	187B0625	BOLT (6x25)		2	
132	313650-2371-00	KEY	1	1	
133	314G1400	NUT (14mm)	1		
	92015-2157	NUT (14mm)		1	
134	314401-3482A	WASHER	1	1	
135	316670-8161-00	CLAMP	1	1	
136	130B0612	BOLT (6x12)	1	1	
137	316691-8577A	BAND	1	1	
138	315821-8410A	PLUG, spark (NGK BP-4HS)	1	1	
139	317270-8418B	CAP, plug	1	1	
140	317270-8419A	SPRING	1	1	
141	49088-2085-9H	RECOIL STARTER ASSY	1	1	
142	315801-3432A	PULLEY	1		
	49080-2111	PULLEY		1	
143	130B0612	BOLT (6x12)	3	3	
144	315811-0811A	LABEL, mark	1	1	**
145	315813-0817A	LABEL	1	1	**
146	315801-0845A	LABEL	1	1	**

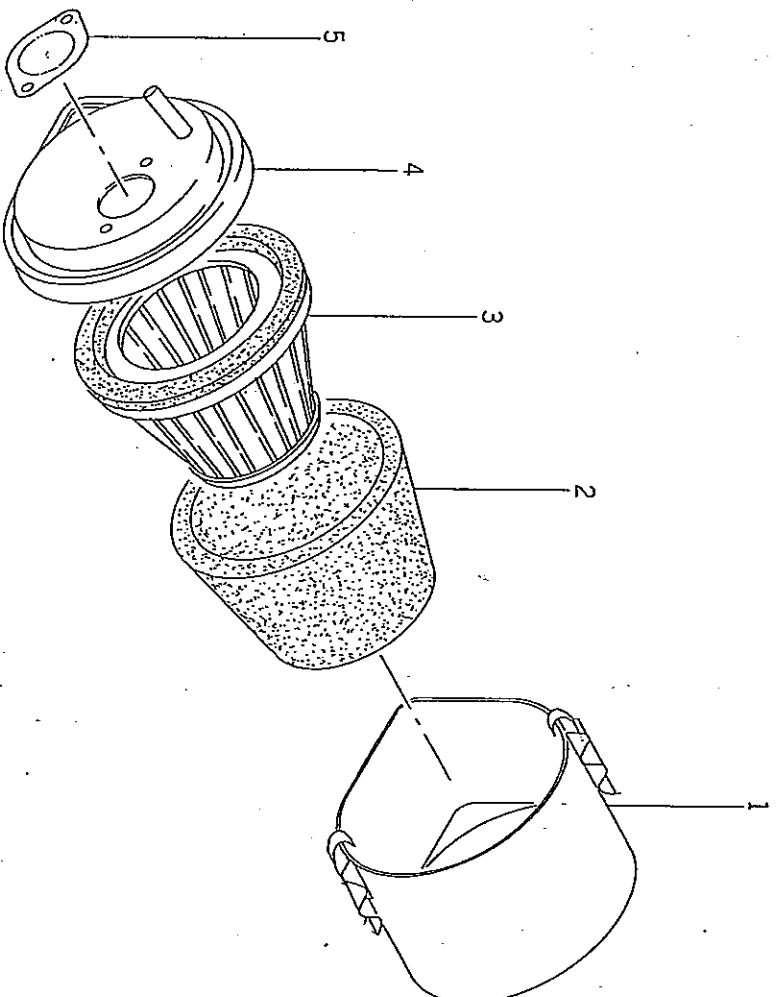
Fig. R-1

Fig. A-1 AIR CLEANER



Ref. No.	Part No.	Part Name	Quantity		Remarks
			A	B	
A-1- 1	315801-1310A	AIR CLEANER ASSY	1		
A-1- 1	315801-1311A	•CASE, air cleaner	1		
A-1- 2	315801-1327A	•PLATE, air cleaner	1		
A-1- 3	315801-1312A	•ELEMENT	1		
A-1- 4	13183-2078	•COVER, air cleaner	1		
A-1- 5	315801-1332A	•GASKET	1		

FIG. A-2 AIR FILTER



Ref.No.	Part No.	Part Name	Quantity		Remarks
			A	B	
A-2- 1	11010-2276	AIR FILTER ASSY	1		
A-2- 2	11011-2173	•COVER, air filter	1		
A-2- 2	11013-2103	•ELEMENT	1		
A-2- 3	49064-2066	•ELEMENT	1		
A-2- 4	11012-2210	•PLATE, air filter	1		
A-2- 5	11009-2478	•GASKET	1		

Fig. C-1 CARBURETOR

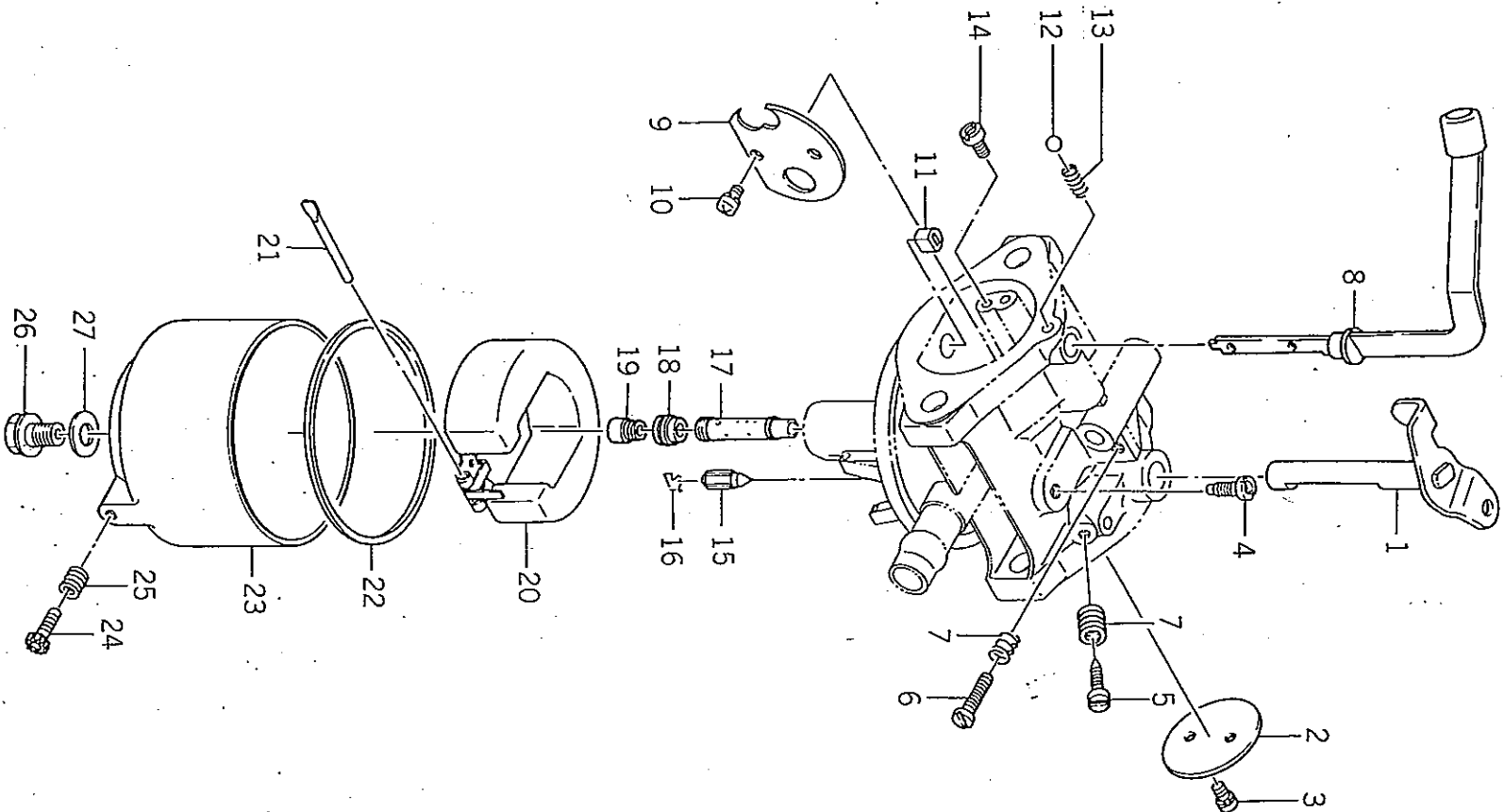
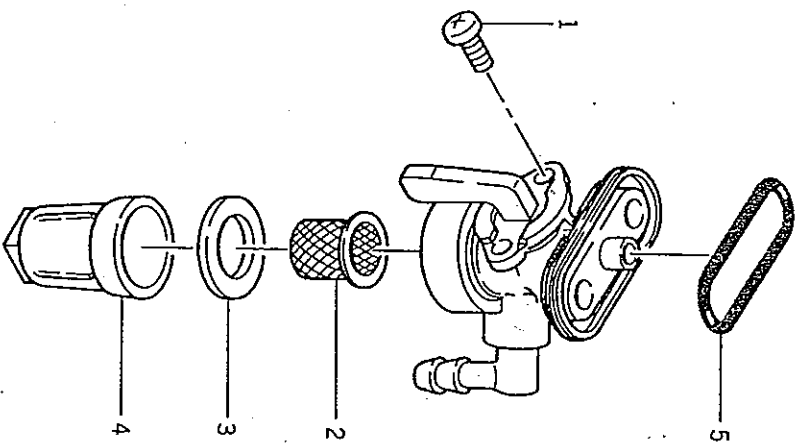


Fig. C-1 CARBURETOR

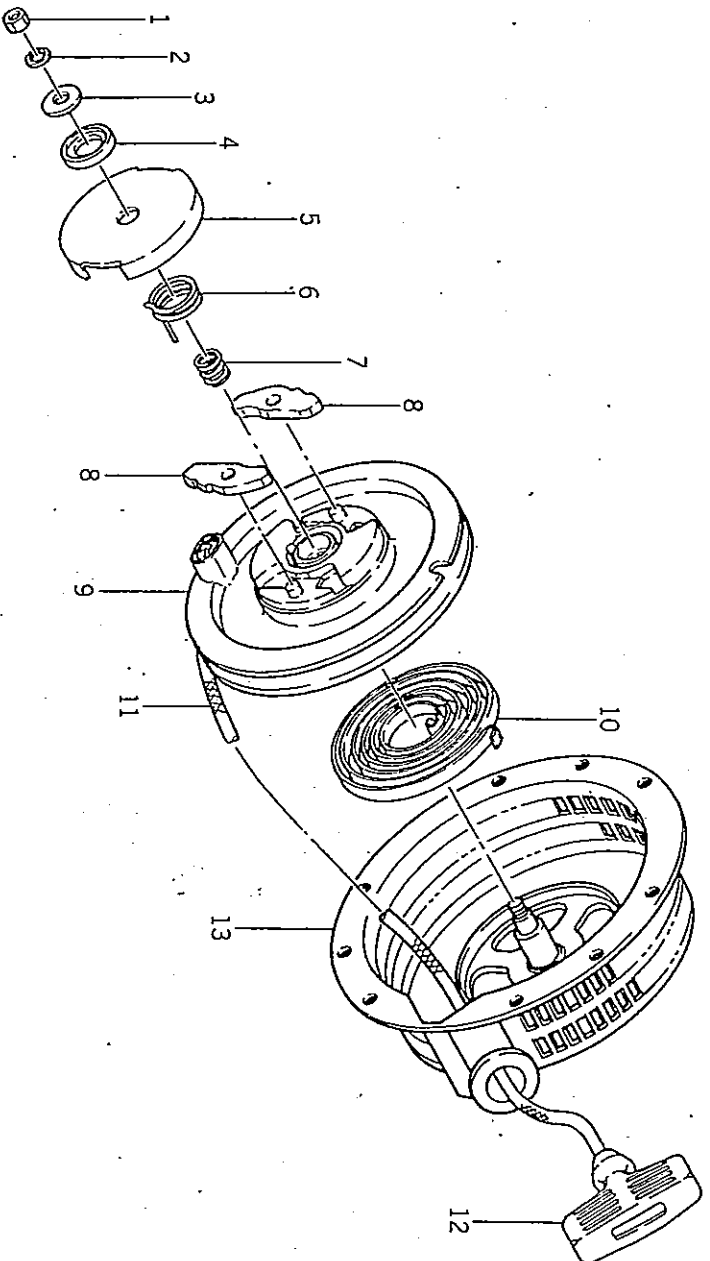
Ref. No.	Part No.	Part Name	Quantity		Remarks
			A	B	
C-1- 1	15001-2327	CARBURETOR ASSY	1	1	
C-1- 2	315823-6139A	•SHAFT, throttle	1	1	
C-1- 3	316670-6101A	•VALVE, throttle (#110)	1	1	
C-1- 4	316550-6137A	•SCREW	2	2	
C-1- 5	313650-6112-00	•JET, pilot (#45)	1	1	
C-1- 6	313650-6114-00	•SCREW, pilot	1	1	
C-1- 7	214B0414	•SCREW (4x14)	1	1	
C-1- 8	312750-6116-00	•SPRING	2	2	
C-1- 9	16041-2053	•SHAFT, choke	1	1	
C-1-10	315801-6102A	•VALVE, choke	1	1	
C-1-11	314572-6137A	•SCREW	2	2	
C-1-12	314598-6138A	•COLLAR	1	1	
C-1-13	313122-6104-00	•BALL, steel	1	1	
C-1-14	313122-6103-00	•SPRING	1	1	
C-1-15	313550-6113-10	•JET, air (#1.4)	1	1	
C-1-16	315823-6122A	•VALVE, needle	1	1	
C-1-17	315721-6134A	•CLIP	1	1	
C-1-18	315721-6129A	•NOZZLE, main, (#6A)	1	1	
C-1-19	315801-6155A	•HOLDER, main jet	1	1	
C-1-20	315801-6126A	•JET, main (#87.5)	1	1	
C-1-21	314499-6127A	•FLOAT	1	1	
C-1-22	313650-6128-00	•PIN, float	1	1	
C-1-23	16020-2051	•GASKET	1	1	
C-1-24	315822-6133A	•CHAMBER, float	1	1	
C-1-25	313122-6116-00	••SCREW, drain	1	1	
C-1-26	314596-6143A	••SPRING	1	1	
C-1-27	314499-6159A	•BOLT	1	1	
		•WASHER	1	1	

Fig. T-1 TAP



Ref. No.	Part No.	Part Name	Quantity		Remarks
			A	B	
T-1- 1	51023-2096	TAP ASSY	1	1	
T-1- 1	92009-1123	• SCREW	2	2	
T-1- 2	315801-6519A	• STRAINER	1	1	
T-1- 3	315801-6518A	• GASKET	1	1	
T-1- 4	51036-2062	• CUP, fuel tap	1	1	
T-1- 5	315801-6512A	• O-RING	1	1	

Fig. R-1 RECOIL STARTER



Ref.No.	Part No.	Part Name	Quantity		Remarks
			A	B	
R-1-1	49088-2085-9H	RECOIL STRARTER ASSY	1	1	
R-1-1	311B0600	• NUT (6mm)	1	1	
R-1-2	461F0600A	• WASHER, spring	1	1	
R-1-3	316420-3442B	• WASHER, thrust	1	1	
R-1-4	316451-3456A	• WASHER, thrust	1	1	
R-1-5	316420-3449B	• COVER, retainer	1	1	
R-1-6	316420-3448A	• SPRING, return	1	1	
R-1-7	316420-3446A	• SPRING	1	1	
R-1-8	316420-3445B	• PAWL, recoil	2	2	
R-1-9	316451-3441A	• REEL, recoil	1	1	
R-1-10	318863-3452-00	• SPRING, recoil	1	1	
R-1-11	316420-3453A	• ROPE (6x1620)	1	1	
R-1-12	312211-3454-00	• HANDLE, recoil starter	1	1	
R-1-13	315811-3437A	• CASE, recoil starter	1	1	