

Parts Catalog

MODEL

FG300A-SX

PRODUCT CODE

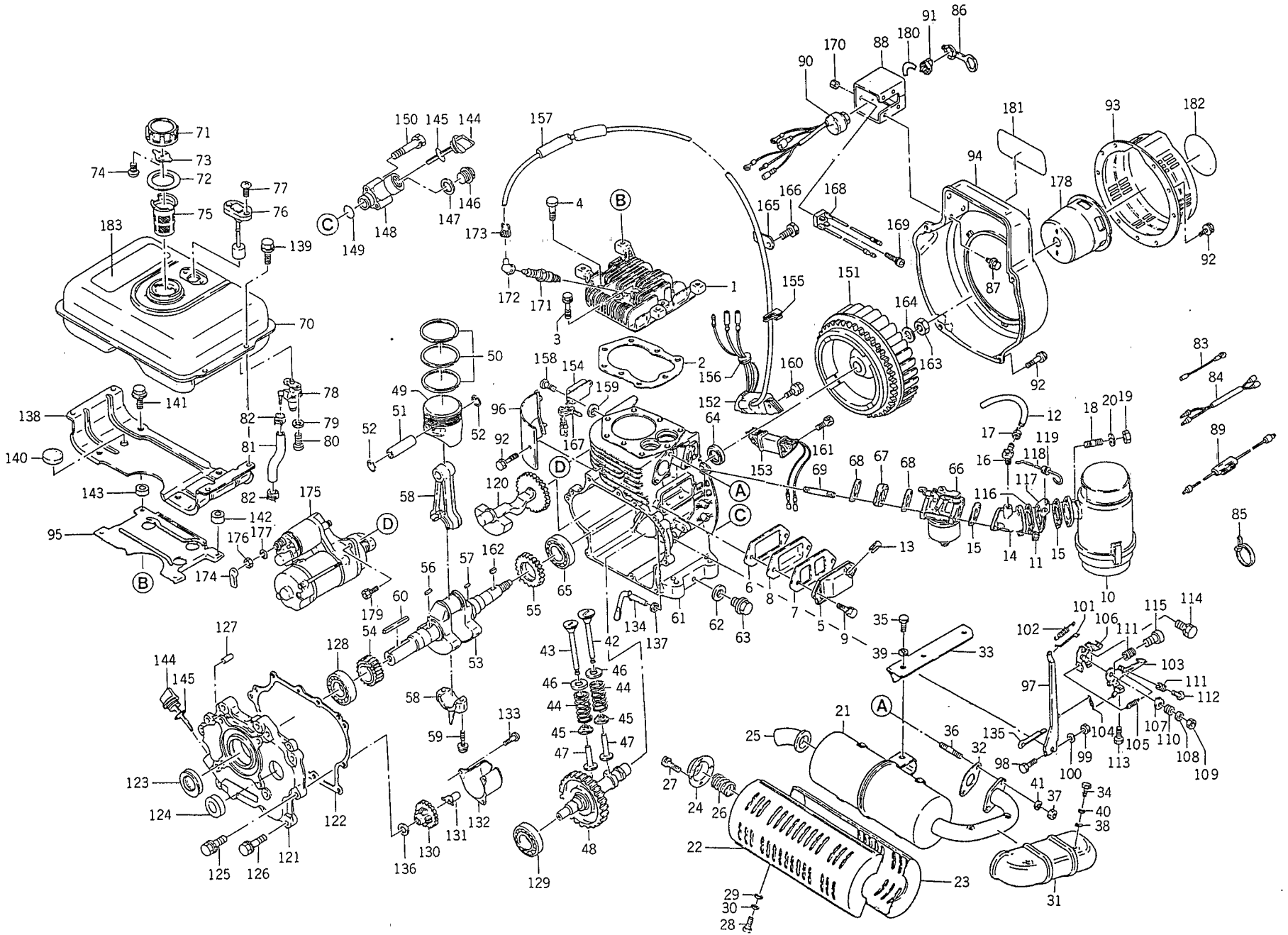
FG300A-AS51



© KAWASAKI HEAVY INDUSTRIES, LTD.

ENGINE DIVISION

860214 Printed in Japan



Ref.No.	Part No.	Part Name	Quantity					Remarks
			A					
1	315801-1111B	HEAD, cylinder	1					
2	110042055	GASKET, head	1					
3	315801-1181A	BOLT, cylinder head	3					
4	130G1045	BOLT (10x45)	5					
5	315801-1231A	COVER, inspection	1					
6	316470-1232-00	GASKET	1					
7	315801-1233A	GASKET	1					
8	315801-1510E-	BREATHER	1					
9	130B0612	BOLT (6x12)	2					
10	11010-2230	AIR FILTER ASSY	1					Fig. A-1
11	92015-1193	NUT	2					
12	702A071000	TUBE, rubber	1					ø=175mm
13	314401-1341A	PIPE	1					
14	315822-1331A	PIPE, inlet	1					
15	315822-1332A	GASKET	2					
16	312769-1533B	ELBOW	1					
17	313679-1532-00	CLIP	1					
18	172G0616	STUD	2					
19	311B0600	NUT (6mm)	2					
20	461F0600A	WASHER, spring	2					
21	315822-1400A	MUFFLER ASSY	1					
22	315822-1431B	•COVER, muffler	1					
23	315822-1432B	•COVER, muffler	1					
24	315822-1447A	•PLATE, muffler.	1					
25	315822-1449A	•PIPE, tail	1					
26	314406-1455A	•SPRING	1					
27	314405-3092A	•SCREW, tapping	4					
28	110R0610	•BOLT (6x10)	4					
29	410B0600	•WASHER	4					
30	311752-3381A	•WASHER, spring	4					
31	315822-1433B	COVER, exhaust pipe	1					
32	316470-1442-00	GASKET	1					
33	315822-1445B	STAY, muffler	1					
34	110R0610	BOLT (6x10)	4					
35	112B1018	BOLT (10x18)	1					
36	171G0818	STUD	2					
37	317R0800	NUT (8mm)	2					
38	410B0600	WASHER	4					
39	317194-1471-00	WASHER	1					
40	311752-3381A	WASHER, spring	4					
41	461F0800	WASHER, spring	2					
42	12004-2074	VALVE, intake	1					

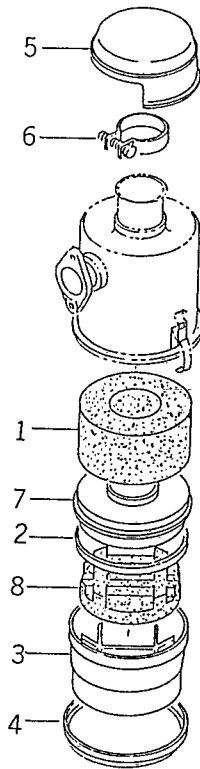
Ref.No.	Part No.	Part Name	Quantity					Remarks
			A					
43	315801-2112A	VALVE, exhaust	1					
44	315801-2113A	SPRING, valve	2					
45	315801-2116A	SEAT, spring	2					
46	315801-2121A	SEAT, spring	2					
47	315801-2211A	TAPPET	2					
48	12044-2119	SHAFT, cam	1					
49	315801-3111F	PISTON	1					STD
	13029-2075	PISTON	AR					O/S 0.25mm
	13029-2076	PISTON	AR					O/S 0.50mm
50	315801-3010B	PISTON RING SET	1					STD
	13025-2071	PISTON RING SET	AR					O/S 0.25mm
	13025-2072	PISTON RING SET	AR					O/S 0.50mm
51	13002-2068	PIN, piston	1					
52	315801-3122A	RING, snap	2					
53	315811-3210A	CRANK SHAFT ASSY	1					
54	315811-3217A	•GEAR, crank	1					
55	315801-3333A	•GEAR, balancer	1					
56	313650-2371-00	•KEY	1					
57	312651-3321-00	•KEY	1					
58	315801-3240B	CONNECTING ROD ASSY	1					
59	315801-3245A	•BOLT, connecting rod	2					
60	317101-3272-00	KEY	1					
61	315821-4110F	CRANK CASE ASSY	1					
62	315470-7214A	•GASKET	2					
63	315470-7441A	•PLUG, drain	2					
64	315801-4231A	SEAL, oil	1					
65	601A6206	BEARING, ball (6206)	1					
66	315831-6100B	CARBURETOR ASSY	1					Fig. C-1
67	315801-6181A	INSULATOR	1					
68	315801-6184A	GASKET	2					
69	172G0690	STUD	2					
70	51002-6026-YY	FUEL TANK ASSY	1					
71	51048-2055	•TANK CAP ASSY	1					
72	315801-6643B	••GASKET	1					
73	315801-6644A	••SPRING	1					
74	314401-6732A	••SCREW	2					
75	315801-6661F	•STRAINER, fuel	1					
76	315801-6665E	•GAUGE, fuel	1					
77	315801-6577A	•SCREW	2					
78	315801-6510A	FILTER ASSY	1					Fig. F-1
79	315801-6625A	WASHER	2					
80	315801-6577A	SCREW	2					

Ref.No.	Part No.	Part Name	Quantity					Remarks
			A					
81	92059-2019	TUBE	1					
82	313679-6812-00	CLIP	2					
83	316462-8567A	WIRE, lead	1					
84	316462-8568A	WIRE, lead	1					
85	316644-8577A	BAND	1					
86	317241-8322-00	CAP	1					
87	130B0612	BOLT (6x12)	4					
88	14025-2085-YY	COVER	1					
89	315813-8824A	FUSE	1					
90	316462-8320A	SWITCH	1					
91	317241-8321B	•KEY	2					
92	130B0612	BOLT (6x12)	8					
93	315823-1640A	SCREEN	1					
94	315854-1611A	HOUSING, fan	1					
95	315821-1631A	COVER, cylinder head	1					
96	315821-1632B	COVER, cylinder	1					
97	315801-5211C	ARM, governor	1					
98	110B0630	BOLT (6x30)	1					
99	311B0600	NUT (6mm)	1					
100	411B0600	WASHER	1					
101	315801-5231B	LINK, governor	1					
102	315801-5232B	SPRING, link	1					
103	315801-5310A	LEVER, control	1					
104	315801-5314A	SPRING, governor	1					
105	315801-5317B	SPRING, return	1					
106	315801-5335A	BRACKET	1					
107	315801-5337A	BRACKET	1					
108	314401-5383A	WASHER	1					
109	314401-5385A	NUT	1					
110	314401-5388A	SPRING	1					
111	92144-2004	SPRING	2					
112	214B0516A	SCREW (5x16)	1					
113	316671-5381A	BOLT	1					
114	130B0612	BOLT (6x12)	2					
115	214B0518	SCREW (5x18)	1					
116	315822-1332A	GASKET	1					
117	315723-5514A	BRACKET	1					
118	31368A-5513-00	LINK, choke	1					
119	317196-5515-00	GROMMET	1					
120	315801-3331A	BALANCER, dynamic	1					
121	49015-6020	CRANK CASE COVER COMP	1					
122	315801-4124C	GASKET	1					

Ref.No.	Part No.	Part Name	Quantity					Remarks
			A					
123	315801-4235A	SEAL, oil	1					
124	315850-4235A	SEAL, oil	1					
125	130B0828	BOLT (8x28)	2					
126	130B0835	BOLT (8x35)	7					
127	551A0816	PIN, dowel	2					
128	601A6206	BEARING, ball (6206)	1					
129	601A6204	BEARING, ball (6204)	1					
130	315801-5110A	GOVERNOR ASSY	1					
131	314401-5121B	SLEEVE, governor	1					
132	315801-5147A	COVER	1					
133	314405-3092A	SCREW	3					
134	315801-5122A	TIP, governor	1					
135	554A0600	PIN, snap	1					
136	314401-5135A	WASHER	1					
137	410B0600	WASHER	2					
138	315853-6711A	BRACKET, tank	1					
139	187B0614	BOLT (6x14)	4					
140	315801-6723A	DAMPER	2					
141	315827-1482A	BOLT	4					
142	315827-6741A	COLLAR	2					
143	315827-6742A	COLLAR	2					
144	315801-7411A	GAUGE, oil	2					
145	315192-7432-00	O-RING	2					
146	315470-7441A	PIUG, drain	1					
147	315470-7214A	GASKET	1					
148	315823-7448C	ELBOW	1					
149	670B2018	O-RING	1					
150	150B0640	BOLT (6x40)	2					
151	315813-8119B	FLYWHEEL	1					
152	315813-8103A	COIL, ignition	1					
153	315821-8136A	COIL, charging	1					
154	315821-8465C	IGNITER	1					
155	315801-8164A	GROMMET	1					
156	315801-8165A	GROMMET	1					
157	31362A-8168-00	TUBE	1					
158	315601-6732A	SCREW	2					
159	315801-6625A	WASHER	4					
160	180B0625	BOLT (6x25)	2					
161	180B0630	BOLT (6x30)	2					
162	313650-2371-00	KEY	1					
163	314G1400	NUT (14mm)	1					
164	314401-3482A	WASHER	1					

Ref.No.	Part No.	Part Name	Quantity					Remarks
			A					
165	316670-8161-00	CLAMP	1					
166	130B0612	BOLT (6x12)	1					
167	316644-8577A	BAND	1					
168	316462-8361A	RECTIFIER	1					
169	242B0420	SCREW (4x20)	1					
170	311B0400A	NUT (4mm)	1					
171	315821-8410A	PLUG, spark (NGK BP4HS)	1					
172	317270-8418B_	CAP, plug	1					
173	317270-8419A	SPRING	1					
174	318891-8418-01	CAP	1					
175	316611-8310B	STARTER ASSY	1					Fig. S-1
176	318B0800	NUT (8mm)	1					
177	461F0800	WASHER, spring	1					
178	315801-3432A	PULLEY	1					
179	316462-8318A	BOLT	2					
180	317472-0831-00	LABEL, manual	1					★★
181	315811-0811A	LABEL, mark	1					★★
182	315801-0845A	LABEL	1					★★
183	315813-0817A	LABEL	1					★★

Fig. A-1 AIR FILTER



Ref.No.	Part No.	Part Name	Quantity					Remarks
			A					
	11010-2230	AIR FILTER ASSY	1					
A-1- 1	49064-2054	•ELEMENT	1					
A-1- 2	314251-1323-00	•GASKET	1					
A-1- 3	315640-1321A	•PAN, oil	1					
A-1- 4	314251-1319-00	•RING	1					
A-1- 5	315640-1316A	•CAP, air filter	1					
A-1- 6	315640-1315A	••BAND, air filter	1					
A-1- 7	59366-2059	•GRATE	1					
A-1- 8	49064-2055	•ELEMENT	1					

Fig. C-1 CARBURETOR

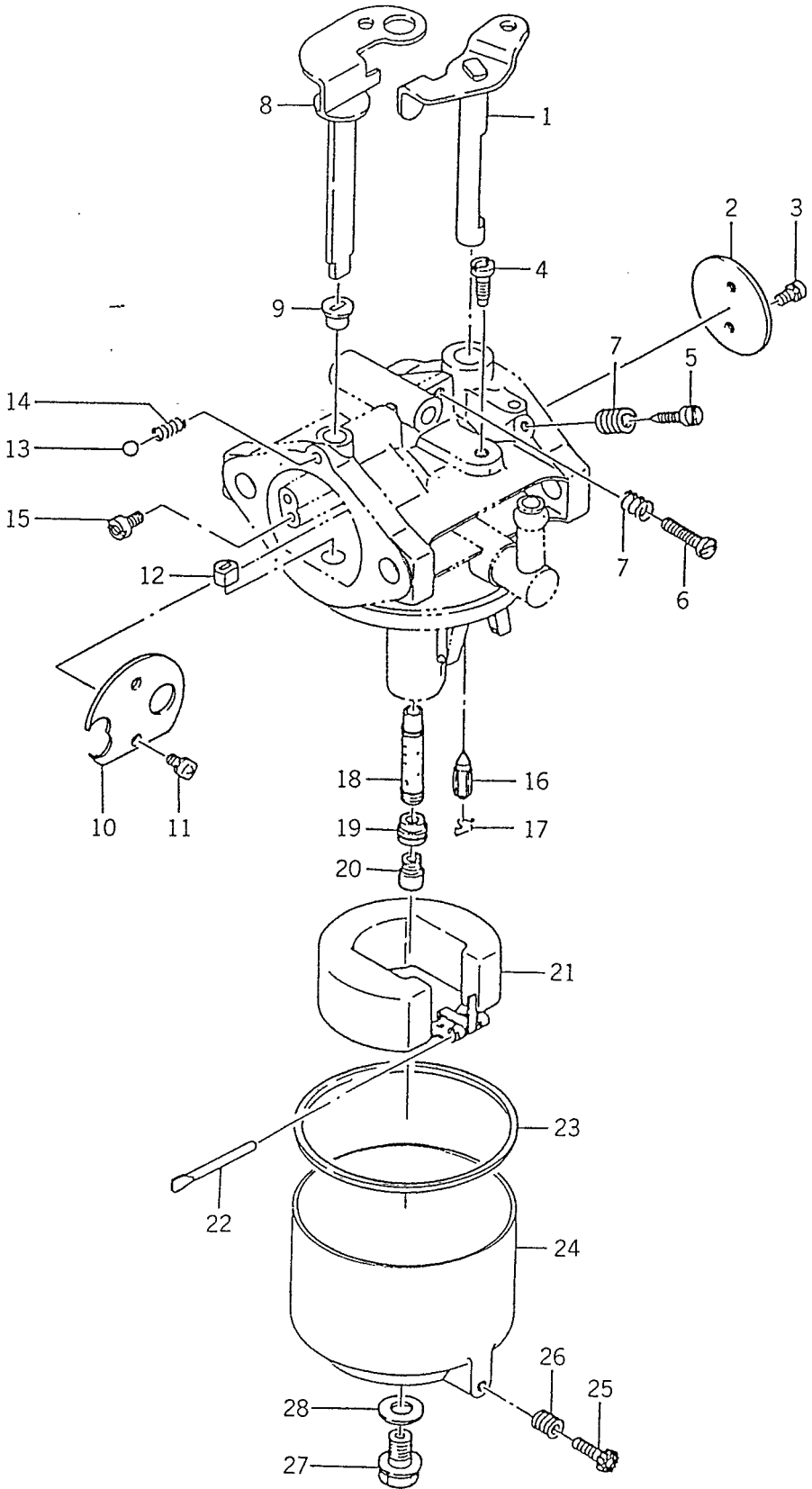
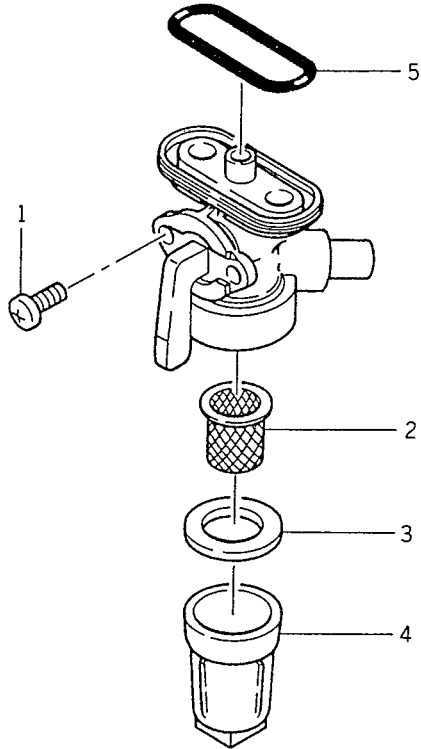


Fig. C-1 CARBURETOR

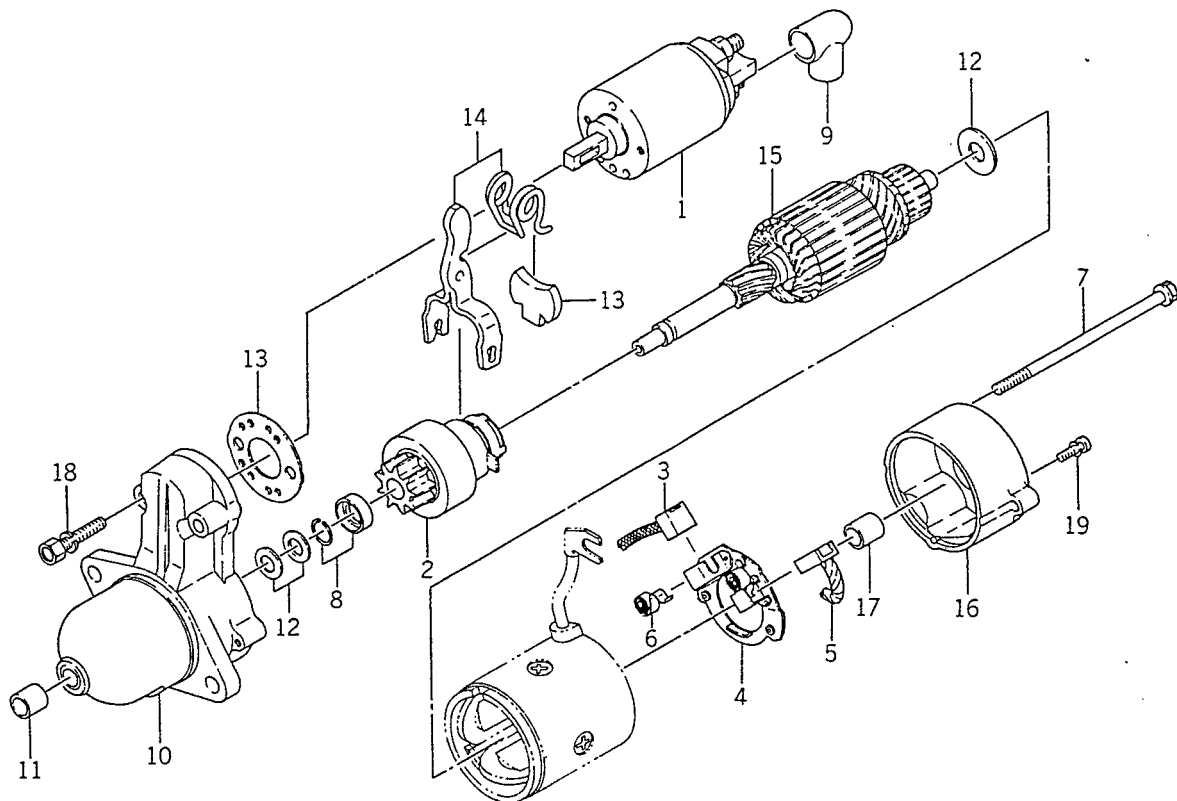
Ref.No.	Part No.	Part Name	Quantity					Remarks
			A					
	315831-6100B	CARBURETOR ASSY	1					
C-1- 1	315823-6139A	•SHAFT, throttle	1					
C-1- 2	316670-6101A	•VALVE, throttle (#110)	1					
C-1- 3	316550-6137A	•SCREW	2					
C-1- 4	313650-6112-00	•JET, pilot (#45)	1					
C-1- 5	313650-6114-00	•SCREW, pilot	1					
C-1- 6	214B0414	•SCREW (4x14)	1					
C-1- 7	312750-6116-00	•SPRING	2					
C-1- 8	315831-6142A	•SHAFT, choke	1					
C-1- 9	314598-6157A	•COLLAR	2					
C-1-10	315801-6102A	•VALVE, choke	1					
C-1-11	314572-6137A	•SCREW	2					
C-1-12	314598-6138A	•COLLAR	1					
C-1-13	313122-6104-00	•BALL, steel	1					
C-1-14	313122-6103-00	•SPRING	1					
C-1-15	315723-6113A	•JET, air (#1.5)	1					
C-1-16	315823-6122A	•VALVE, needle	1					
C-1-17	315721-6134A	•CLIP	1					
C-1-18	315721-6129A	•NOZZLE, main (#6A)	1					
C-1-19	315721-6155A	•HOLDER, main jet	1					
C-1-20	315822-6132A	•JET, main (#92.5)	1					
C-1-21	315801-6126A	•FLOAT	1					
C-1-22	314499-6127A	•PIN, float	1					
C-1-23	313650-6128-00	•GASKET	1					
C-1-24	16020-2051	•FLOAT CHAMBER ASSY	1					
C-1-25	315822-6133A	••SCREW, drain	1					
C-1-26	313122-6116-00	••SPRING	1					
C-1-27	314596-6143A	•BOLT	1					
C-1-28	314499-6159A	•WASHER	1					

Fig. F-1 FILTER



Ref.No.	Part No.	Part Name	Quantity					Remarks
			A					
	315801-6510A	FILTER ASS'Y	1					
F-1- 1	315801-6517A	•SCREW	2					
F-1- 2	315801-6519A	•STRAINER	1					
F-1- 3	311220-6518B	•GASKET	1					
F-1- 4	315801-6521A	•POT, filter	1					
F-1- 5	315801-6512A	•O-RING	1					

Fig. S-1 STARTER



Ref.No.	Part No.	Part Name	Quantity					Remarks
			A					
	316611-8310B	STARTER ASSY	1					
S-1- 1	316612-8320A	•SWITCH ASSY	1					
S-1- 2	316611-8312B	•CLUTCH ASSY	1					
S-1- 3	316612-8325A	•BRUSH (+)	1					
S-1- 4	316612-8350A	•BRUSH HOLDER ASSY	1					
S-1- 5	316612-8326A	••BRUSH (-)	1					
S-1- 6	316612-8327A	••SPRING, brush	2					
S-1- 7	316612-8354A	•BOLT	2					
S-1- 8	316612-8331A	•PINION STOPPER SET	1					
S-1- 9	316514-8349A	•CAP	1					
S-1-10	316612-8311A	•GEAR CASE ASSY	1					
S-1-11	316612-8348A	••METAL	1					
S-1-12	316612-8390A	•WASHER SET	1					
S-1-13	316612-8372A	•DUST COVER SET	1					
S-1-14	316611-8313A	•SHIFT LEVER SET	1					
S-1-15	316611-8330A	•ARMATURE	1					
S-1-16	316612-8333A	•REAR COVER ASSY	1					
S-1-17	316612-8348A	••METAL	1					
S-1-18	180B0632	•BOLT (6x32)	2					
S-1-19	232B0412	•SCREW (4x12)	2					