

Parts Catalog

MODEL

FG300A-X

FG300A-X

PRODUCT CODE

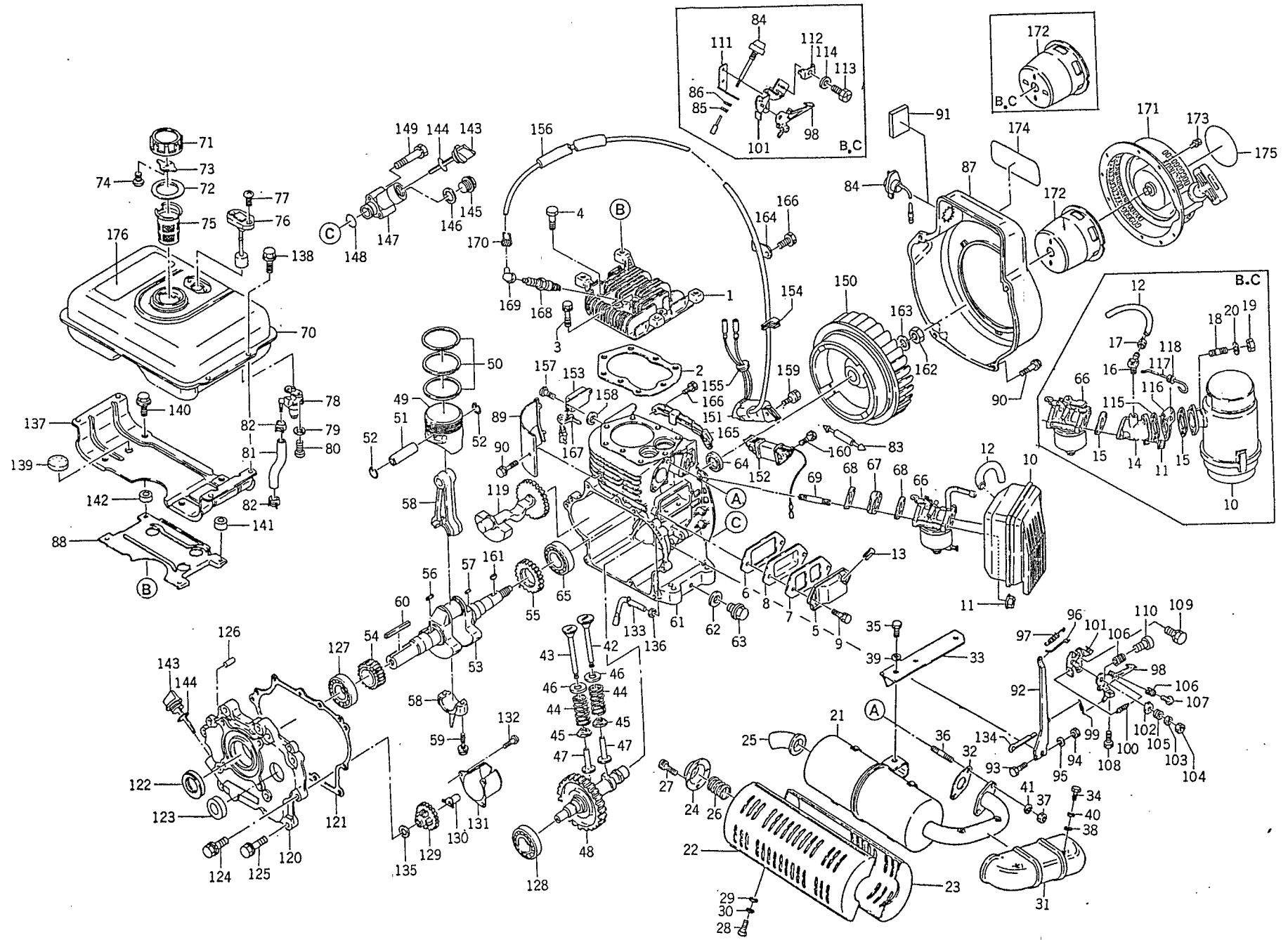
315850A

FG300A-AS50, BS50, CS50



© KAWASAKI HEAVY INDUSTRIES, LTD.
ENGINE DIVISION

851226 Printed in Japan



FG300A-X 315850A
 FG300A-X FG300A-AS50,BS50,CS50

Ref.No.	Part No.	Part Name	Quantity						Remarks
			A	B	C				
1	315801-1111B	HEAD, cylinder	1	1	1				
2	315801-1121A	GASKET, head	1	1	1				
3	315801-1181A	BOLT, cylinder head	3	3	3				
4	130G1045	BOLT (10x45)	5	5	5				
5	315801-1231A	COVER, inspection	1	1	1				
6	316470-1232-00	GASKET	1	1	1				
7	315801-1233A	GASKET	1	1	1				
8	315801-1510E	BREATHER	1	1	1				
9	130B0612	BOLT (6x12)	2	2	2				
10	315801-1310A	AIR CLEANER ASSY	1						Fig. A-1
	11010-2230	AIR FILTER ASSY		1	1				Fig. A-2
11	315801-1388A	NUT	2	2	2				
12	315801-1531B	TUBE	1						
	702A071000	TUBE, rubber		1	1				ø=175mm
13	314401-1341A	PIPE	1	1	1				
14	315822-1331A	PIPE, inlet		1	1				
15	315822-1332A	GASKET		2	2				
16	312769-1533B	ELBOW		1	1				
17	313679-1532-00	CLIP		1	1				
18	172G0616	STUD		2	2				
19	311B0600	NUT (6mm)		2	2				
20	461F0600A	WASHER, spring		2	2				
21	315822-1400A	MUFFLER ASSY	1	1	1				
22	315822-1431B	•COVER, muffler	1	1	1				
23	315822-1432B	•COVER, muffler	1	1	1				
24	315822-1447A	•PLATE, muffler	1	1	1				
25	315822-1449A	•PIPE, tail	1	1	1				
26	314406-1455A	•SPRING	1	1	1				
27	314405-3092A	•SCREW, tapping	4	4	4				
28	110R0610	•BOLT (6x10)	4	4	4				
29	410B0600	•WASHER	4	4	4				
30	311752-3381A	•WASHER, spring	4	4	4				
31	315822-1433B	COVER, exhaust pipe	1	1	1				
32	316470-1442-00	GASKET	1	1	1				
33	315822-1445B	STAY, muffler	1	1	1				
34	110R0610	BOLT (6x10)	4	4	4				
35	112B1018	BOLT (10x18)	1	1	1				
36	171G0818	STUD	2	2	2				
37	317R0800	NUT (8mm)	2	2	2				
38	410B0600	WASHER	4	4	4				
39	317194-1471-00	WASHER	1	1	1				
40	311752-3381A	WASHER, spring	4	4	4				

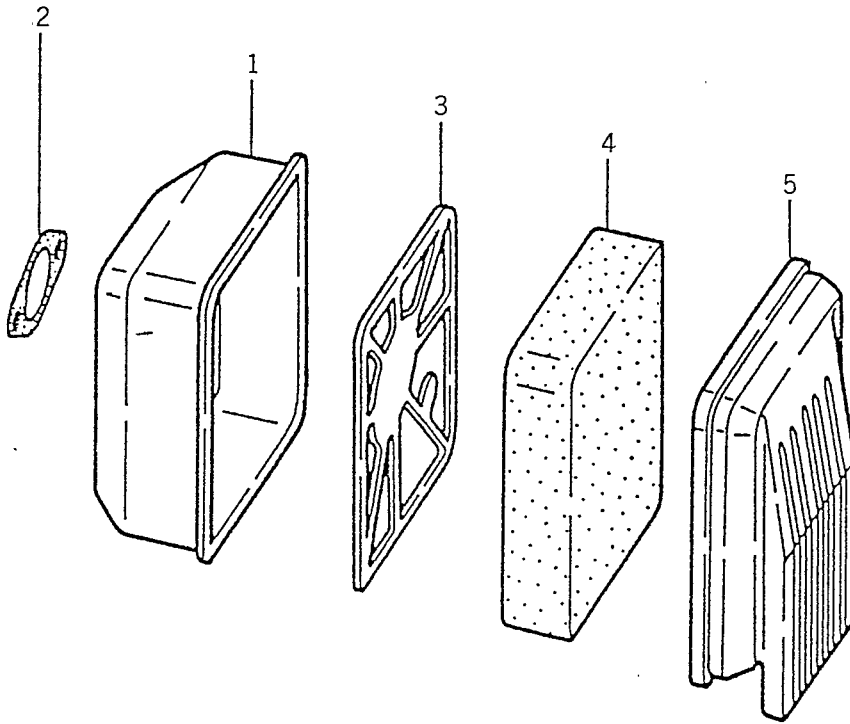
Ref.No.	Part No.	Part Name	Quantity					Remarks
			A	B	C			
41	461F0800	WASHER, spring	2	2	2			
42	12004-2074	VALVE, intake	1	1	1			
43	315801-2112A	VALVE, exhaust	1	1	1			
44	315801-2113A	SPRING, valve	2	2	2			
45	315801-2116A	SEAT, spring	2	2	2			
46	315801-2121A	SEAT, spring	2	2	2			
47	315801-2211A	TAPPET	2	2	2			
48	12044-2119	SHAFT, cam	1	1	1			
49	315801-3111F	PISTON	1	1	1			STD
	13029-2075	PISTON	AR	AR	AR			O/S 0.25mm
	13029-2076	PISTON	AR	AR	AR			O/S 0.50mm
50	315801-3010B	PISTON RING SET	1	1	1			STD
	13025-2071	PISTON RING SET	AR	AR	AR			O/S 0.25mm
	13025-2072	PISTON RING SET	AR	AR	AR			O/S 0.50mm
51	315801-3121A	PIN, piston	1	1	1			
52	315801-3122A	RING, snap	2	2	2			
53	315811-3210A	CRANK SHAFT ASSY	1	1	1			
54	315811-3217A	•GEAR, crank	1	1	1			
55	315801-3333A	•GEAR, balancer	1	1	1			
56	313650-2371-00	•KEY	1	1	1			
57	312651-3321-00	•KEY	1	1	1			
58	315801-3240B	CONNECTING ROD ASSY	1	1	1			
59	315801-3245A	•BOLT, connecting rod	2	2	2			
60	317101-3272-00	KEY	1	1	1			
61	315824-4110D	CRANK CASE ASSY	1					
	49120-2129	CRANK CASE COMP		1	1			
62	315470-7214A	•GASKET	2					
63	315470-7441A	•PLUG, drain	2					
64	315801-4231A	SEAL, oil	1	1	1			
65	601A6206	BEARING, ball (6206)	1	1	1			
66	15001-2327	CARBURETOR ASSY	1					Fig. C-1
	315831-6100B	CARBURETOR ASSY		1	1			Fig. C-1
67	315801-6181A	INSULATOR	1	1	1			
68	315801-6184A	GASKET	2	2	2			
69	172G0685	STUD	2					
	172G0690	STUD		2	2			
70	51002-6052-YY	FUEL TANK ASSY	1					
	51002-6026-YY	FUEL TANK ASSY		1	1			
71	315801-6640F	•TANK CAP ASSY	1					
	51048-2055	•TANK CAP ASSY		1	1			
72	315801-6643B	••GASKET	1	1	1			
73	315801-6644A	••SPRING	1	1	1			

Ref.No.	Part No.	Part Name	Quantity					Remarks
			A	B	C			
74	314401-6732A	••SCREW	2	2	2			
75	315801-6661F	•STRAINER, fuel	1	1	1			
76	315801-6665E	•GAUGE, fuel	1	1	1			
77	315801-6577A	•SCREW	2	2	2			
78	315801-6510A	FILTER ASSY	1	1	1			Fig. F-1
79	315801-6625A	WASHER	2	2	2			
80	315801-6577A	SCREW	2	2	2			
81	92059-2019	TUBE	1	1	1			
82	313679-6812-00	CLIP	2	2	2			
83	26011-2128	WIRE, lead		1	1			
84	315801-8511A	SWITCH, stop	1					
	27010-2127	SWITCH, stop		1	1			
85	318B0800	NUT (8mm)		1	1			
86	461F0800	WASHER, spring		1	1			
87	315853-1611A	CASE, spiral	1	1	1			
88	315821-1631A	COVER, cylinder head	1	1	1			
89	315821-1632B	COVER, cylinder	1	1	1			
90	130B0612	BOLT (6x12)	5	5	5			
91	314496-1627A	PLATE		1	1			
92	315801-5211C	ARM, governor	1	1	1			
93	110B0630	BOLT (6x30)	1	1	1			
94	311B0600	NUT (6mm)	1	1	1			
95	411B0600	WASHER	1	1	1			
96	315801-5231B	LINK, governor	1	1	1			
97	315801-5232B	SPRING, link	1	1	1			
98	315801-5310A	LEVER, control	1					
	13236-2081	LEVER COMP		1	1			
99	315801-5314A	SPRING, governor	1	1	1			
100	315801-5317B	SPRING, return	1					
101	315801-5335A	BRACKET	1					
	39184-2054	BRACKET ASSY		1	1			
102	315801-5337A	BRACKET	1	1	1			
103	314401-5383A	WASHER	1	1	1			
104	314401-5385A	NUT	1	1	1			
105	314401-5388A	SPRING	1	1	1			
106	315801-5321A	SPRING	2	2	2			
107	214B0516A	SCREW (5x16)	1					
108	316671-5381A	BOLT	1					
109	130B0612	BOLT (6x12)	2					
	130B0616	BOLT (6x16)		2	2			
110	214B0518	SCREW (5x18)	1	1	1			
111	11044-2108	BRACKET		1	1			

Ref.No.	Part No.	Part Name	Quantity					Remarks
			A	B	C			
112	92037-2020	CLAMP		1	1			
113	315501-5381A	BOLT		1	1			
114	411B0500	WASHER		1	1			
115	315822-1332A	GASKET		1	1			
116	315723-5514A	BRACKET		1	1			
117	31368A-5513-00	LINK, choke		1	1			
118	317196-5515-00	GROMMET		1	1			
119	315801-3331A	BALANCER, dynamic	1	1	1			
120	49015-6020	CRANK CASE COVER COMP	1	1	1			
121	315801-4124C	GASKET	1	1	1			
122	315801-4235A	SEAL, oil	1	1	1			
123	315850-4235A	SEAL, oil	1	1	1			
124	130B0828	BOLT (8x28)	2	2	2			
125	130B0835	BOLT (8x35)	7	7	7			
126	551A0816	PIN, dowel	2	2	2			
127	601A6206	BEARING, ball (6206)	1	1	1			
128	601A6204	BEARING, ball (6204)	1	1	1			
129	315801-5110A	GOVERNOR ASSY	1	1	1			
130	314401-5121B	SLEEVE, governor	1	1	1			
131	315801-5147A	COVER	1	1	1			
132	314405-3092A	SCREW	3	3	3			
133	315801-5122A	TIP, governor	1	1	1			
134	554A0600	PIN, snap	1	1	1			
135	314401-5135A	WASHER	1	1	1			
136	410B0600	WASHER	2	2	2			
137	315853-6711A	BRACKET, tank	1	1	1			
138	187B0614	BOLT (6x14)	4	4	4			
139	315801-6723A	DAMPER	2	2	2			
140	315827-1482A	BOLT	4	4	4			
141	315827-6741A	COLLAR	2	2	2			
142	315827-6742A	COLLAR	2	2	2			
143	315801-7411A	GAUGE, oil	2	2	2			
144	315192-7432-00	O-RING	2	2	2			
145	315470-7441A	PLUG, drain	1	3	3			
146	315470-7214A	GASKET	1	3	3			
147	315823-7448C	ELBOW	1	1	1			
148	670B2018	O-RING	1	1	1			
149	150B0640	BOLT (6x40)	2	2	2			
150	315811-8111A	FLYWHEEL	1	1				
	21194-2121	FLYWHEEL COMP			1			
151	315811-8103A	COIL, ignition	1	1	1			
152	315801-8124A	COIL, lighting	1	1	1			

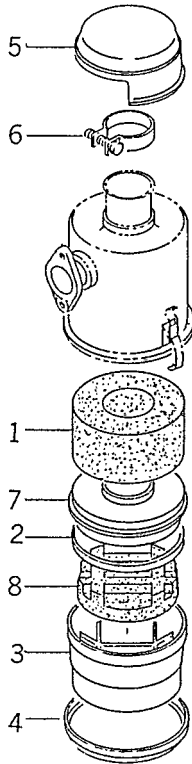
Ref.No.	Part No.	Part Name	Quantity						Remarks
			A	B	C				
153	315801-8465B	IGNITER	1	1	1				
154	315801-8164A	GROMMET	1	1	1				
155	315801-8165A	GROMMET	1	1	1				
156	31362A-8168-00	TUBE	1	1	1				
157	315601-6732A	SCREW	2	2	2				
158	315801-6625A	WASHER	4	4	4				
159	180B0625	BOLT (6x25)	2	2	2				
160	180B0630	BOLT (6x30)	2	2	2				
161	313650-2371-00	KEY	1	1	1				
162	314G1400	NUT (14mm)	1	1					
	92015-2157	NUT			1				
163	314401-3482A	WASHER	1	1	1				
164	316670-8161-00	CLAMP	1						
165	315822-8468A	PLATE		1	1				
166	130B0612	BOLT (6x12)	1	2	2				
167	316691-8577A	BAND	1	1	1				
168	315821-8410A	PLUG, spark (NGK BP4HS)	1	1	1				
169	317270-8418B	CAP, plug	1	1	1				
170	317270-8419A	SPRING	1	1	1				
171	49088-2085-9H	RECOIL STARTER ASSY	1	1	1				Fig. R-1
172	315801-3432A	PULLEY	1	1					
	49080-2111	PULLEY			1				
173	130B0612	BOLT (6x12)	3	3	3				
174	315811-0811A	LABEL, mark	1	1	1				★★
175	315801-0845A	LABEL	1	1	1				★★
176	315813-0817A	LABEL	1	1	1				★★

Fig. A-1 AIR CLEANER



Ref.No.	Part No.	Part Name	Quantity					Remarks
			A	B	C			
	315801-1310A	AIR CLEANER ASSY	1					
A-1- 1	315801-1311A	•CASE, air cleaner	1					
A-1- 2	315801-1332A	••GASKET	1					
A-1- 3	315801-1327A	•PLATE, air cleaner	1					
A-1- 4	315801-1312A	•ELEMENT	1					
A-1- 5	315801-1313A	•COVER, air cleaner	1					

Fig. A-2 AIR CLEANER



Ref.No.	Part No.	Part Name	Quantity				Remarks
			A	B	C		
	11010-2230	AIR FILTER ASSY		1	1		
A-2- 1	49064-2054	●ELEMENT		1	1		
A-2- 2	314251-1323-00	●GASKET		1	1		
A-2- 3	315640-1321A	●PAN, oil		1	1		
A-2- 4	314251-1319-00	●RING		1	1		
A-2- 5	315640-1316A	●CAP, air filter		1	1		
A-2- 6	315640-1315A	●●BAND, air filter		1	1		
A-2- 7	59366-2059	●GRATE		1	1		
A-2- 8	49064-2055	●ELEMENT		1	1		

Fig. C-1 CARBURETOR

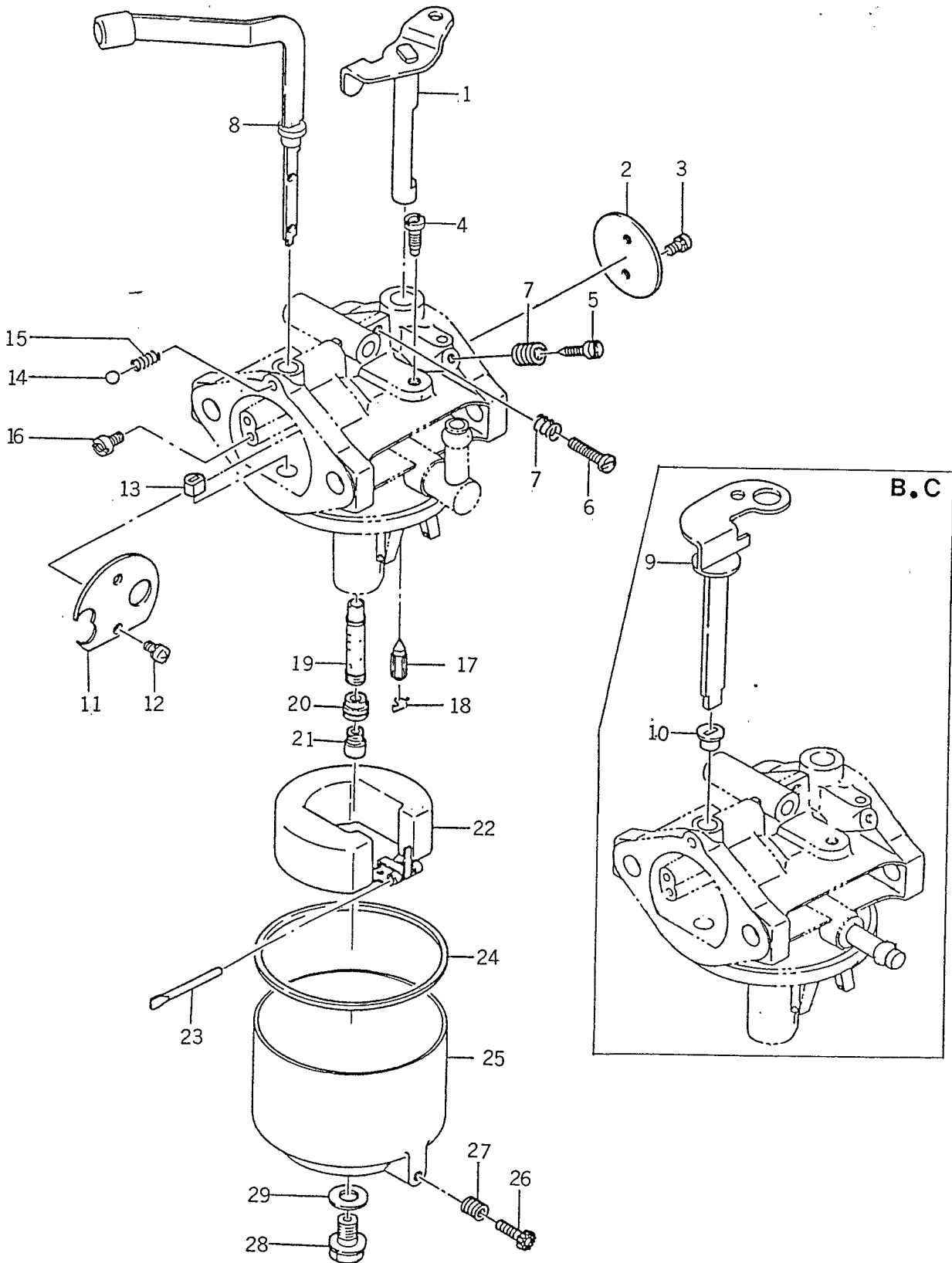
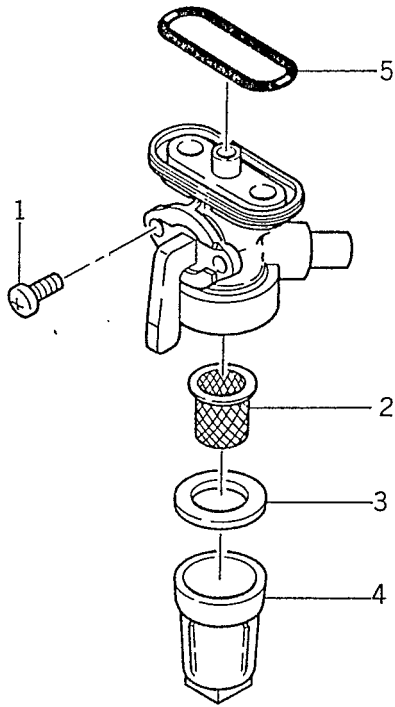


Fig. C-1 CARBURETOR

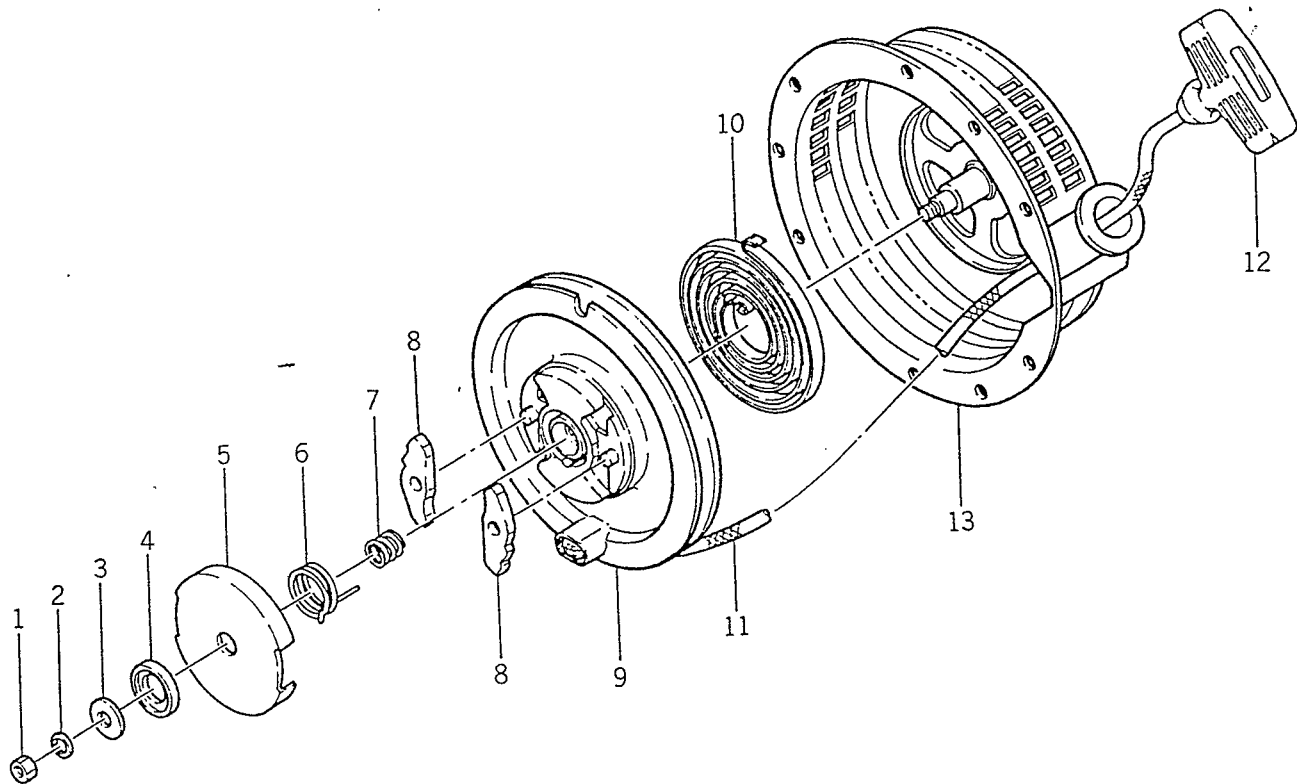
Ref.No.	Part No.	Part Name	Quantity						Remarks
			A	B	C				
	15001-2327	CARBURETOR ASSY	1						
	315831-6100B	CARBURETOR ASSY		1	1				
C-1- 1	315823-6139A	●SHAFT, throttle	1	1	1				
C-1- 2	316670-6101A	●VALVE, throttle (#110)	1	1	1				
C-1- 3	316550-6137A	●SCREW	2	2	2				
C-1- 4	313650-6112-00	●JET, pilot (#45)	1	1	1				
C-1- 5	313650-6114-00	●SCREW, pilot	1	1	1				
C-1- 6	214B 0414	●SCREW (4x14)	1	1	1				
C-1- 7	312750-6116-00	●SPRING	2	2	2				
C-1- 8	16041-2053	●CHOKE SHAFT ASSY	1						
C-1- 9	315831-6142A	●SHAFT, choke		1	1				
C-1-10	314598-6157A	●COLLAR		2	2				
C-1-11	315801-6102A	●VALVE, choke	1	1	1				
C-1-12	314572-6137A	●SCREW	2	2	2				
C-1-13	314598-6138A	●COLLAR	1	1	1				
C-1-14	313122-6104-00	●BALL, steel	1	1	1				
C-1-15	313122-6103-00	●SPRING	1	1	1				
C-1-16	313550-6113-10	●JET, air (#1.4)	1						
	315723-6113A	●JET, air (#1.5)		1	1				
C-1-17	315823-6122A	●VALVE, needle	1	1	1				
C-1-18	315721-6134A	●CLIP	1	1	1				
C-1-19	315721-6129A	●NOZZLE, main (#6A)	1	1	1				
C-1-20	315721-6155A	●HOLDER, main jet	1	1	1				
C-1-21	315801-6132A	●JET, main (#87.5)	1						
	315822-6132A	●JET, main (#92.5)		1	1				
C-1-22	315801-6126A	●FLOAT	1	1	1				
C-1-23	314499-6127A	●PIN, float	1	1	1				
C-1-24	313650-6128-00	●GASKET	1	1	1				
C-1-25	16020-2051	●FLOAT CHAMBER ASSY	1	1	1				
C-1-26	315822-6133A	●●SCREW, drain	1	1	1				
C-1-27	313122-6116-00	●●SPRING	1	1	1				
C-1-28	314596-6143A	●BOLT	1	1	1				
C-1-29	314499-6159A	●WASHER	1	1	1				

Fig. F-1 FILTER



Ref.No.	Part No.	Part Name	Quantity						Remarks
			A	B	C				
	315801-6510A	FILTER ASSY	1	1	1				
F-1- 1	315801-6517A	•SCREW	2	2	2				
F-1- 2	315801-6519A	•STRAINER	1	1	1				
F-1- 3	311220-6518B	•GASKET	1	1	1				
F-1- 4	315801-6521A	•POT, filter	1	1	1				
F-1- 5	315801-6512A	•O-RING	1	1	1				

Fig. R-1 RECOIL STARTER



Ref.No.	Part No.	Part Name	Quantity						Remarks
			A	B	C				
	49088-2085-9H	RECOIL STARTER ASSY	1	1	1				
R-1- 1	311B0600	●NUT (6mm)	1	1	1				
R-1- 2	461F0600A	●WASHER, spring	1	1	1				
R-1- 3	316420-3442B	●WASHER, thrust	1	1	1				
R-1- 4	316451-3456A	●WASHER, thrust	1	1	1				
R-1- 5	316420-3449B	●COVER, retainer	1	1	1				
R-1- 6	316420-3448A	●SPRING, return	1	1	1				
R-1- 7	316420-3446A	●SPRING	1	1	1				
R-1- 8	316420-3445B	●PAWL, recoil	2	2	2				
R-1- 9	316451-3441A	●REEL, recoil	1	1	1				
R-1-10	318863-3452-00	●SPRING, recoil	1	1	1				
R-1-11	316420-3453A	●ROPE (6x1620)	1	1	1				
R-1-12	312211-3454-00	●HANDLE, recoil starter	1	1	1				
R-1-13	315811-3437A	●CASE, recoil starter	1	1	1				