

This catalog covers:
 FG150G- H90

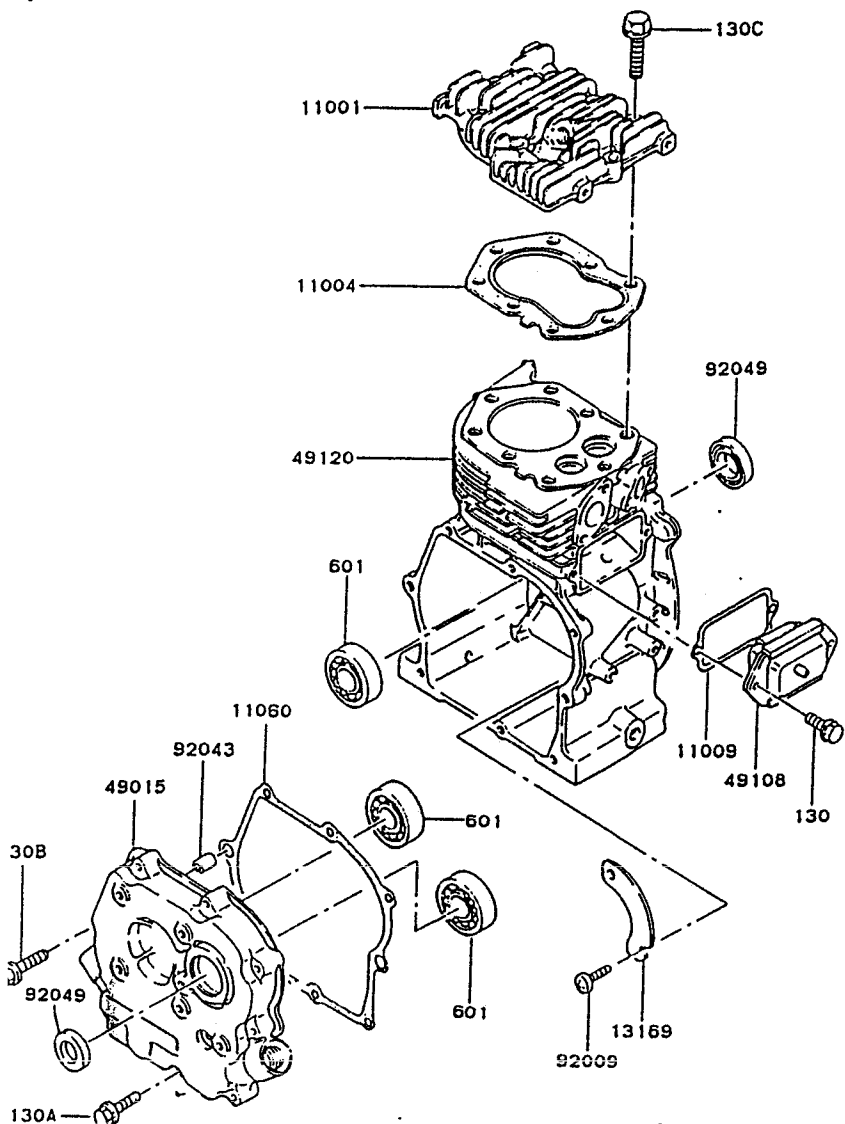
GRID NO.

B-03

This grid covers:
 CYLINDER/CRANKCASE

E0110-2018C

Ref. No.	Parts No.	Description	Quantity
11001	314601-1111A	HEAD-CYLINDER	1
11004	11004-2089	GASKET-HEAD	1
11009	313650-1232-00	GASKET	1
11060	11060-2038	GASKET, CRANKCASE COVER	1
13169	314601-4175A	PLATE	1
49015	49015-6068	COVER-CRANKCASE	1
49108	314601-1231A	COVER-VALVE CHAMBER	1
49120	49120-2151	CRANKCASE-COMP	1
92009	92009-2308	SCREW	2
92043	313640-4181A	PIN	2
92049	313650-4231-00	SEAL-OIL	2
130	130B0612	BOLT-FLANGED	2
130A	130G0630	BOLT-FLANGED	6
130B	130G0640	BOLT-FLANGED	2
130C	130G0835	BOLT-FLANGED	8
601	601A6204	BEARING-BALL	3



This catalog covers:
 FG150G- H90

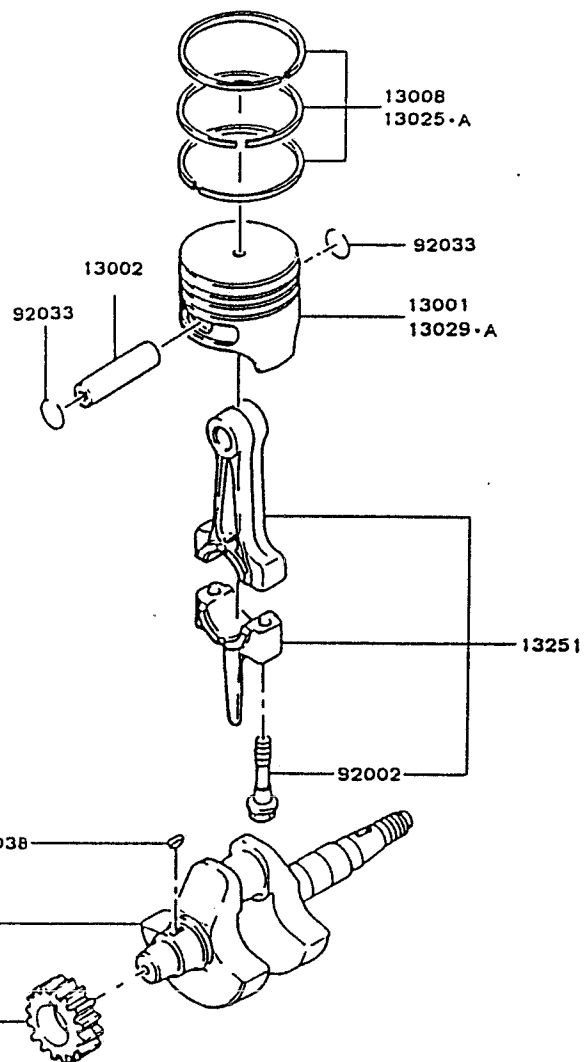
GRI D NO.

B-04

This grid covers:
PISTON/CRANKSHAFT

E0120-2090C

Ref. No.	Parts No.	Description	Quantity
13001	314601-3111A	PISTON-ENGINE	1
13002	13002-2071	PIN-PISTON	1
13008	314601-3010A	RING-SET-PISTON	1
13025	13025-2065	RING-SET-PISTON L.O.25	AR
13025A	13025-2066	RING-SET-PISTON L.O.50	AR
13029	13029-2069	PISTON-ENGINE L.O.25	AR
13029A	13029-2070	PISTON-ENGINE L.O.50	AR
13251	314601-3240A	ROD-ASSY-CONNECTING	1
49119	49119-6070	CRANKSHAFT-ASSY	1
59056	59056-2728	GEAR-HELICAL	1
92002	315601-3245A	BOLT	2
92033	313650-3122-00	RING-SNAP	2
92038	92038-2077	KEY	1



This catalog covers:
 FG150G- H90

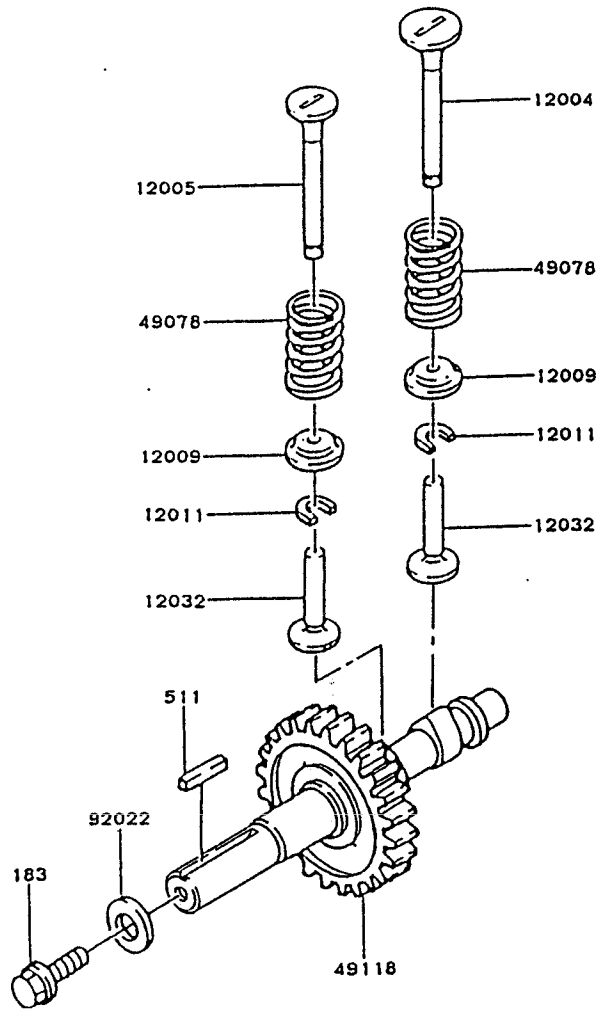
GRID NO.

B-05

This grid covers:
 VALVE/CAMSHAFT

E0130-2022A

Ref. No.	Parts No.	Description	Quantity
12004	313650-2111B	VALVE-INTAKE	1
12005	313650-2112C	VALVE-EXHAUST	1
12009	313650-2116-00	RETAINER-VALVE SPRING	2
12011	313650-2115-00	COLLET	2
12032	12032-2062	TAPPET	2
49078	315470-2113A	SPRING-ENGINE VALVE	2
49118	49118-6036	CAMSHAFT-COMP	1
92022	92022-2001	WASHER	1
183	183B0825	BOLT-UPSET-WS-SMALL	1
511	511A0525	KEY-SUNK	1



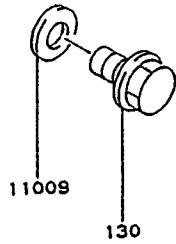
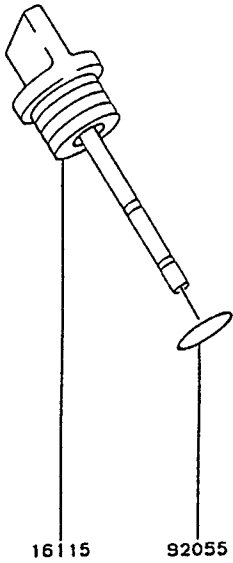
This catalog covers:
FG150G- H90

GRID NO.

B-06

This grid covers:
LUBRICATION-EQUIPMENT

E0140-2017A		Ref. No.	Parts No.	Description	D	Quantity
		11009	11009-2432	GASKET		1
		16115	16115-2083	CAP-OIL FILLER		2
		92055	92055-2064	RING-O		2
		130	130D1014	BOLT-FLANGED		1



GRID NO.

B-07

This catalog covers:

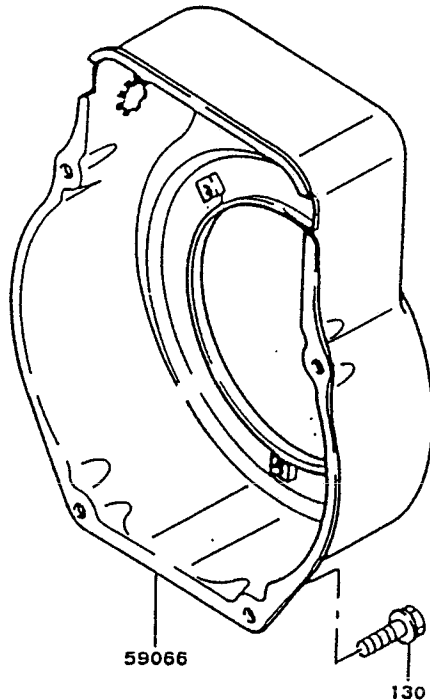
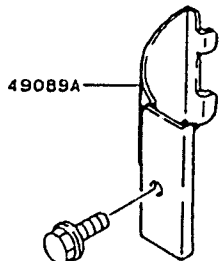
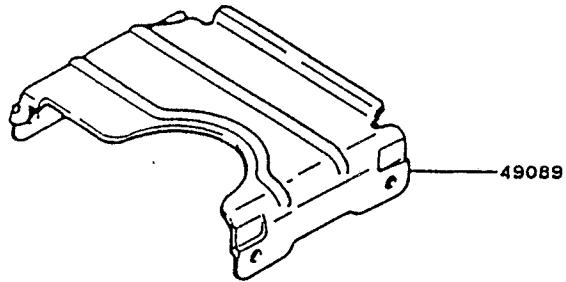
FG150G- H90

This grid covers:

COOLING-EQUIPMENT

E0150-2021A

Ref. No.	Parts No.	Description	D	Quantity
49089	314601-1631A	SHROUD-ENGINE	1	
49089A	314601-1632A	SHROUD-ENGINE	1	
59066	59066-2052-ZV	HOUSING-FAN	1	
130	130B0608	BOLT-FLANGED	4	
130A	130B0612	BOLT-FLANGED	1	



GRID NO.

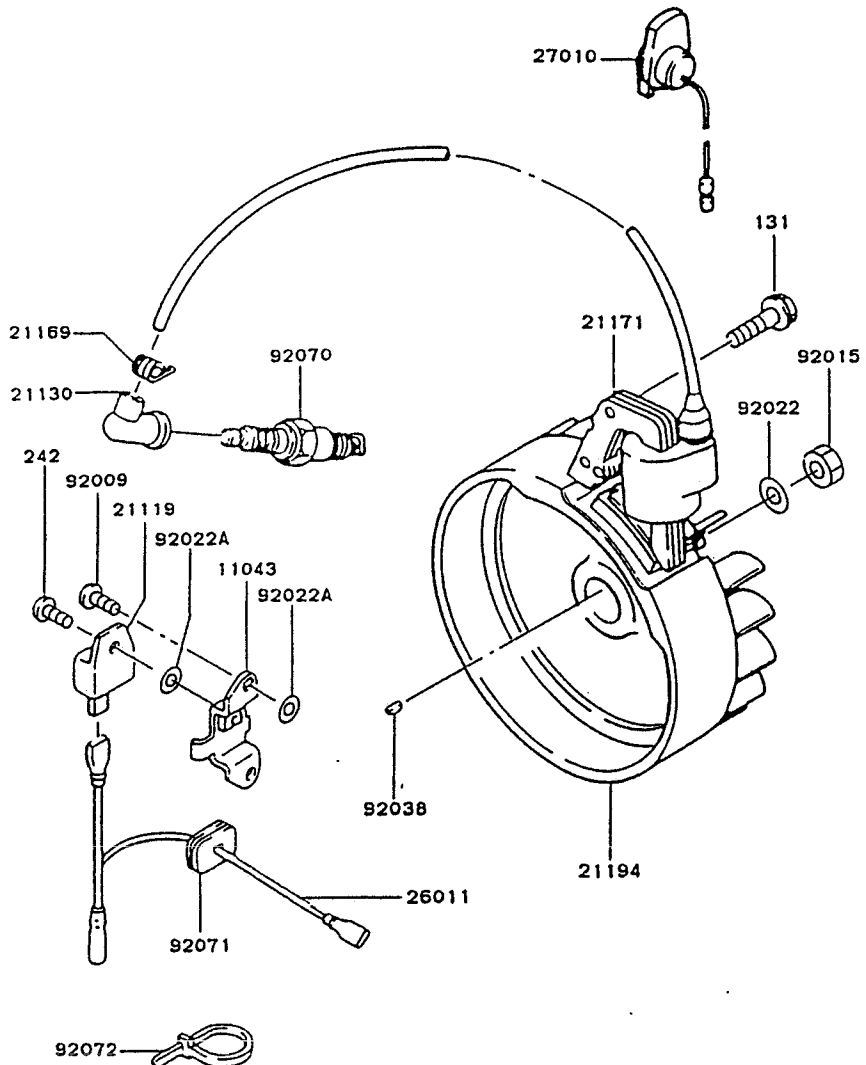
B-08

This catalog covers:
FG150G- H90

This grid covers:
ELECTRIC-EQUIPMENT

E0160-2023A

Ref. No.	Parts No.	Description	Quantity
11043	314601-8137A	BRACKET	1
21119	21119-2101	IGNITER	1
21130	21130-2066	CAP-SPARK PLUG	1
21169	317270-8419A	TERMINAL	1
21171	314601-8103A	COIL-ASSY-IGNITION	1
21194	21194-2157	FLYWHEEL-COMP	1
26011	26011-2079	WIRE-LEAD	1
27010	315801-8511A	SWITCH	1
92009	315601-6732A	SCREW	2
92015	92015-2157	NUT(M14-R)	1
92022	314401-3482A	WASHER	1
92022A	315801-6625A	WASHER	3
92038	92038-2077	KEY	1
92070	92070-2052	PLUG-SPARK, BP4HS(NGK)	1
92071	314601-8164A	GROMMET	1
92072	316691-8577A	BAND	1
131	131B0520	BOLT-FLANGED	2
242	242B0410	SCREW-PAN-WSP+-	1

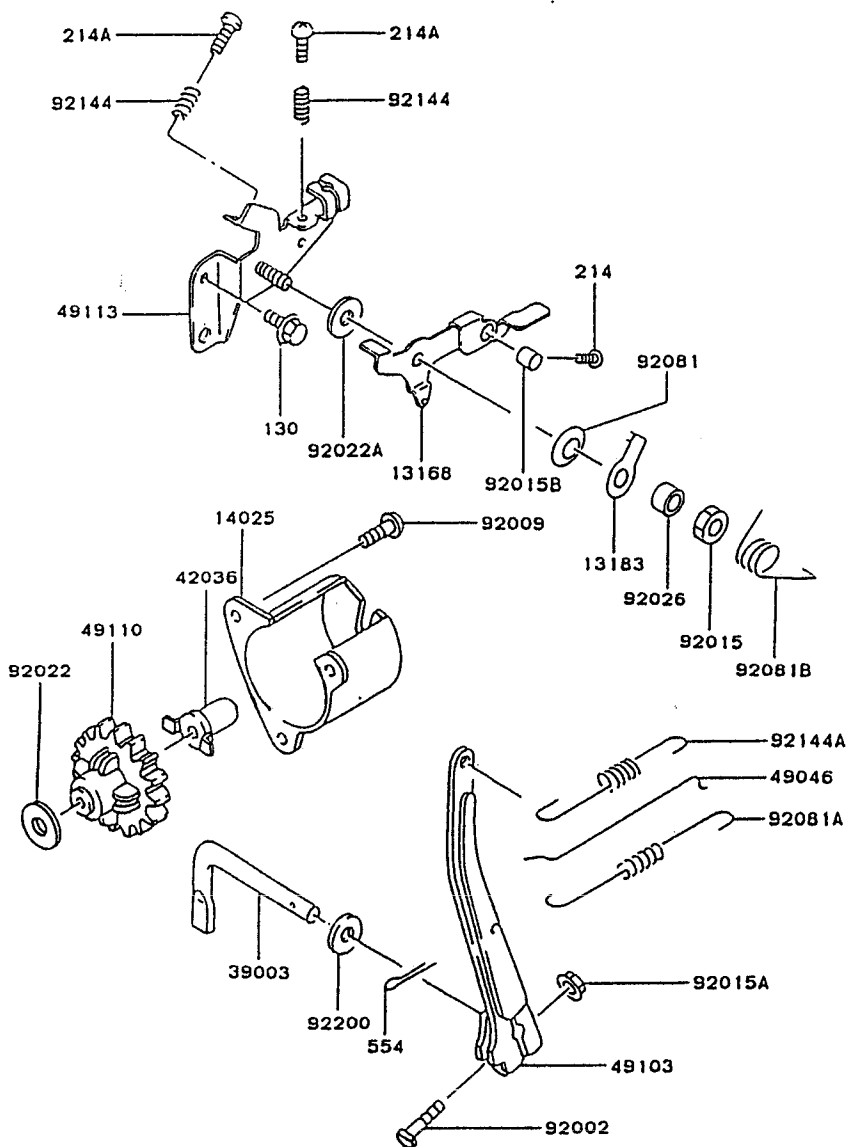


GRID NO.

This catalog covers:
FG150G- H90

B-09

This grid covers:
CONTROL-EQUIPMENT



E0170-2410A

Ref. No.	Parts No.	Description	Quantity
13168	13168-2337	LEVER	1
13183	13183-2400	PLATE	1
14025	315601-5147E	COVER	1
39003	39003-2069	ARM-PIVOT	1
42036	314401-5121B	SLEEVE	1
49046	314601-5231A	ROD-GOVERNOR	1
49103	314601-5211A	ARM-GOVERNOR	1
49110	315801-5110A	GOVERNOR-ASSY	1
49113	49113-2097	PANEL-COMP-CONTROL	1
92002	92002-2269	BOLT	1
92009	92009-2307	SCREW	3
92015	314401-5385A	NUT	1
92015A	92015-1193	NUT	1
92015B	92015-2120	NUT	1
92022	314401-5135A	WASHER	1
92022A	314401-5383A	WASHER	1
92026	92026-2304	SPACER	1
92081	314401-5388A	SPRING	1
92081A	314601-5314A	SPRING	1
92081B	315601-5317A	SPRING	1
92144	92144-2004	SPRING	2
92144A	92144-2244	SPRING	1
92200	92200-2029	WASHER, 6.5X11.5X2.0	1
130	130B0612	BOLT-FLANGED	2
214	214B0408	SCREW-PAN+-	1
214A	214B0518	SCREW-PAN+-	2
554	554A0600	PIN-SNAP	1

GRID NO.

This catalog covers:
 FG150G- H90

B-10

This grid covers:
 CARBURETOR

E0180-2323A

Ref.
No.

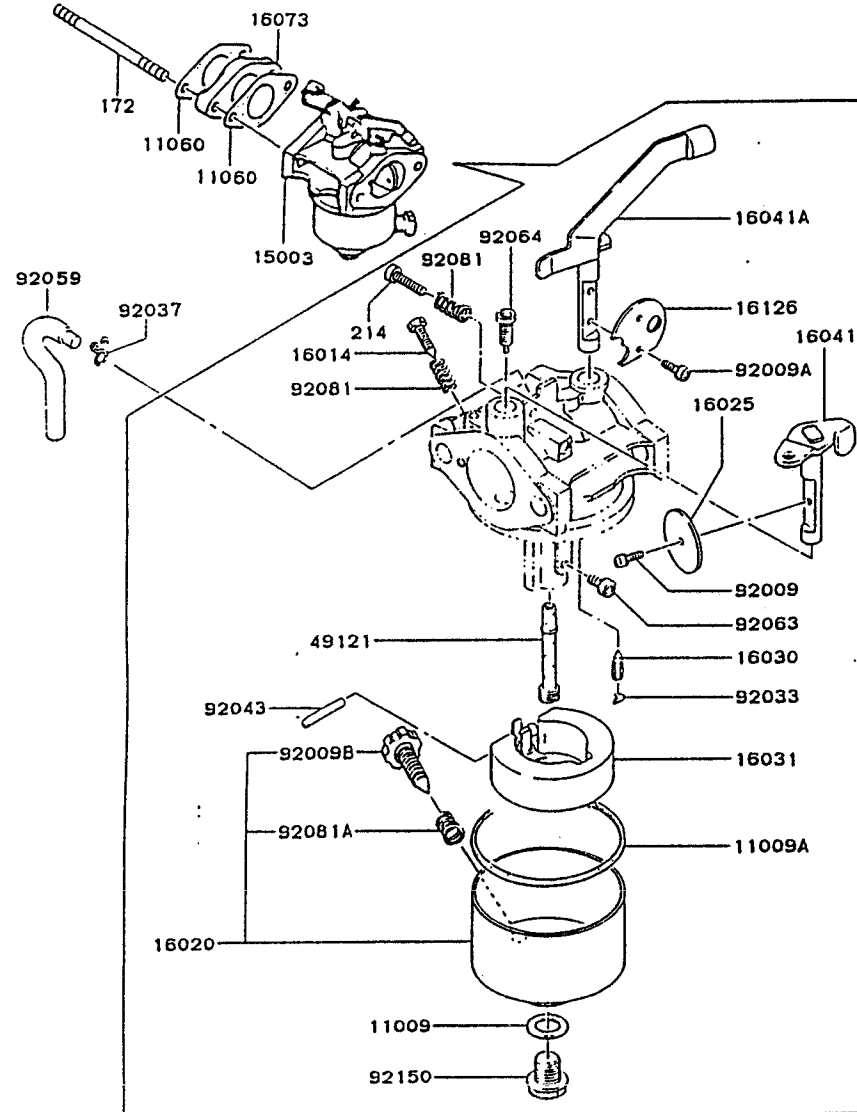
Parts No.

Description

D

Quantity

11009	314499-6159A	GASKET	1
11009A	314598-6128A	GASKET	1
11060	11060-2031	GASKET,AIR FILTER	2
15003	15003-2113	CARBURETOR-ASSY.	1
16014	313650-6114-00	SCREW-PILOT AIR	1
16020	315635-6130A	CHAMBER-FLOAT	1
16025	312750-6101A	VALVE-THROTTLE,#130	1
16030	314595-6122A	VALVE-FLOAT	1
16031	16031-2062	FLOAT	1
16041	314621-6139A	SHAFT-CARBURETOR	1
16041A	315622-6142A	SHAFT-CARBURETOR	1
16073	315601-6181A	INSULATOR	1
16126	16126-2058	VALVE,CHOKE	1
49121	49121-2102	NOZZLE-MAIN,#8B	1
92009	314310-6137A	SCREW	1
92009A	314572-6137A	SCREW	2
92009B	315822-6133A	SCREW	1
92033	315721-6134A	RING-SNAP	1
92037	92037-2100	CLAMP	1
92043	314499-6127A	PIN	1
92059	315822-6852A	TUBE	1
92063	92063-2138	JET-MAIN,#72.5	1
92064	312759-6112-00	JET-PILOT,#35	1
92081	312750-6116-00	SPRING	2
92081A	313122-6116-00	SPRING	1
92150	92150-2098	BOLT	1
172	172G0673	BOLT-STUD	2
214	214B0412	SCREW-PAN+-	1



GRID NO.

B-11

This catalog covers:

FG150G- H90

This grid covers:

AIR-FILTER/MUFFLER

E0190-2021C

Ref.
No.

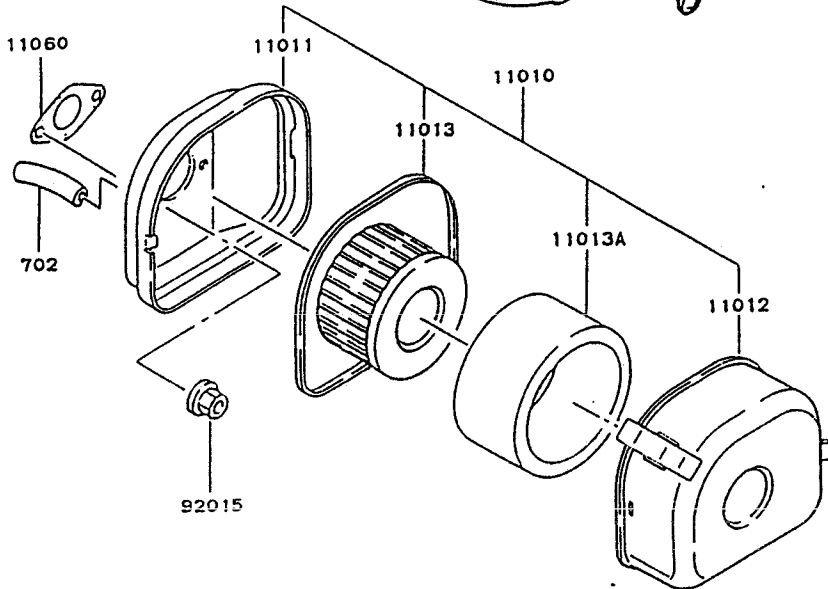
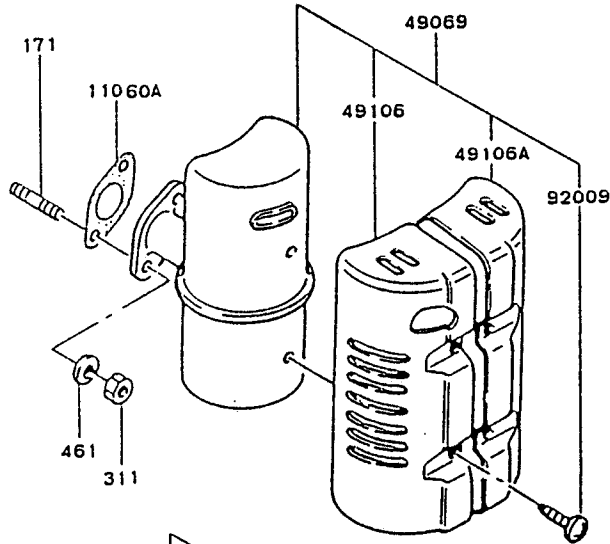
Parts No.

Description

D

Quantity

11010	11010-2329-9H	FILTER-ASSY-AIR	1
11011	11011-2187	CASE-AIR FILTER	1
11012	315510-1316B	CAP	1
11013	3144AA-1312A	ELEMENT-AIR FILTER	1
11013A	315510-1313A	ELEMENT-AIR FILTER	1
11060	11060-2036	GASKET,AIR FILTER	1
11060A	11060-2037	GASKET,MUFFLER	1
49069	49069-2053-9Y	MUFFLER-ASSY	1
49106	49106-2051-9Y	COVER-MUFFLER	1
49106A	49106-2052-9Y	COVER-MUFFLER	1
92009	92009-2308	SCREW	4
92015	92015-1193	NUT	2
171	171G0616	BOLT-STUD	2
311	311R0600	NUT-HEX	2
461	461F0600	WASHER-SPRING	2
702	702A071000	TUBE-RUBBER	1



GRID NO.

B-12

This catalog covers:
FG150G- □H90

This grid covers:
FUEL-TANK/FUEL-VALVE

E0200-2337A

Ref.
No.

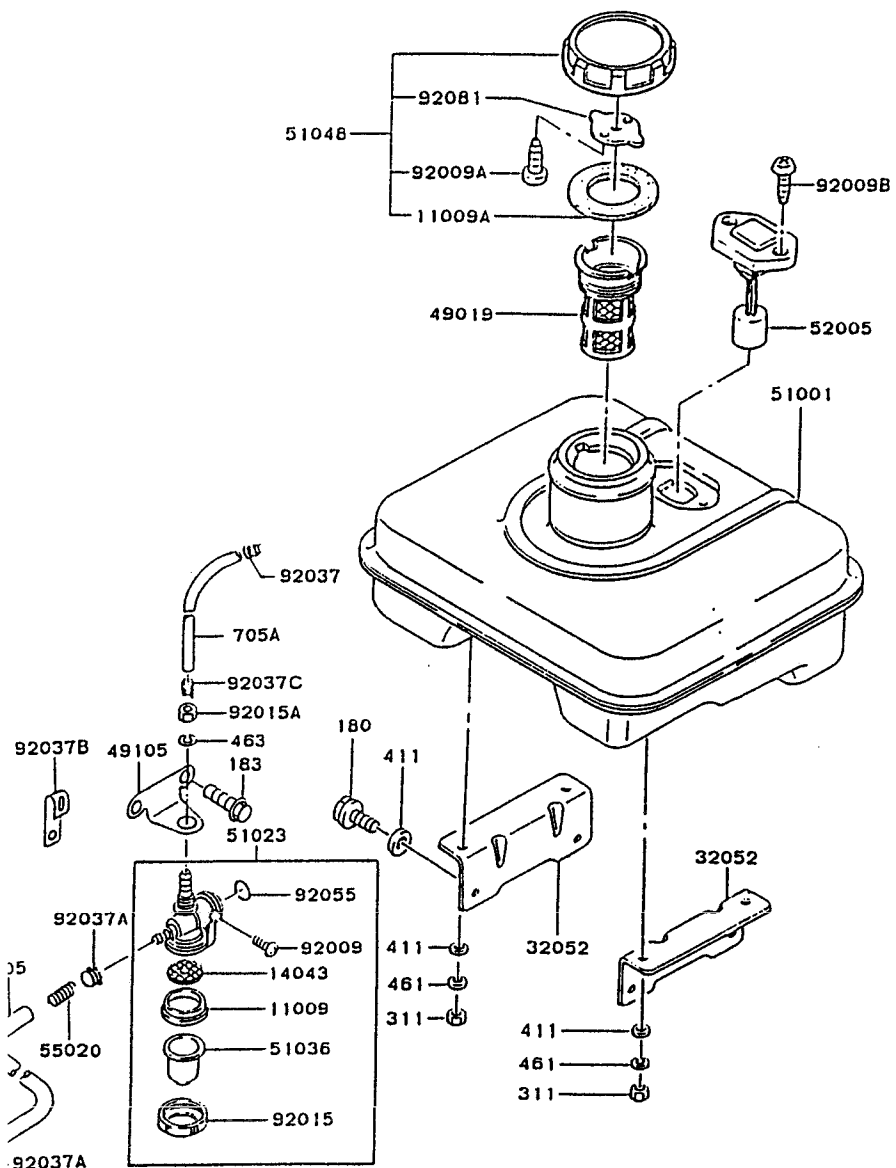
Parts No.

Description

Quantity

D

11009	313650-6518-02	GASKET	1
11009A	315801-6643B	GASKET	1
14043	14043-2058	FILTER, FUEL TAP	1
32052	32052-2197-ZV	BRACKET-TANK	2
49019	315801-6661F	FILTER-FUEL	1
49105	313650-6561B	BRACKET-TAP	1
51001	51001-2192-ZV	TANK-COMP-FUEL	1
51023	51023-2131	TAP-ASSY	1
51036	51036-2063	CUP, FUEL TAP	1
51048	51048-2055	CAP-ASSY-TANK	1
52005	52005-2072	GAUGE, FUEL	1
55020	55020-2075	GUARD	1
92009	313650-6517-00	SCREW	1
92009A	314401-6732A	SCREW	2
92009B	315801-6577A	SCREW	2
92015	313650-6522-00	NUT	1
92015A	313650-6527-00	NUT	1
92037	312740-6812-00	CLAMP	1
92037A	313679-1532-00	CLAMP	2
92037B	317472-6814A	CLAMP	1
92037C	352101-1349A	CLAMP	1
92055	313650-6512-00	RING-O	1
92081	315801-6644A	SPRING	1
180	180B0616	BOLT-UPSET-WS	4
183	183B0812	BOLT-UPSET-WS-SMALL	2
311	311B0600	NUT-HEX	4
411	411B0600	WASHER-PLAIN	8
461	461F0600	WASHER-SPRING	4
463	463H1000	WASHER-TOOTHED	1
705	705A041000	TUBE-BRAID	1
705A	705A061000	TUBE-BRAID	1



This catalog covers:
FG150G- H90

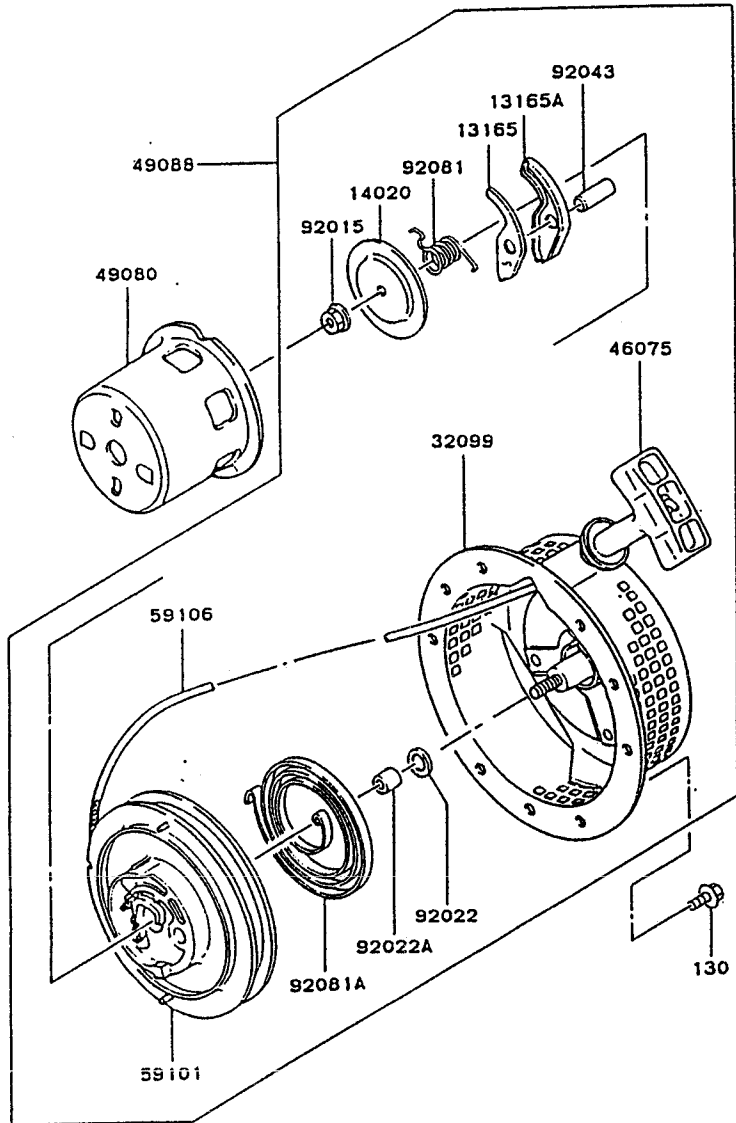
GRID NO.

B-13

This grid covers:
STARTER

E0210-2022C

Ref. No.	Parts No.	Description	Quantity
13165	315601-3445A	PAWL	1
13165A	315601-3463A	PAWL	1
14020	315601-3449A	RETAINER	1
32099	32099-2055-9H	CASE, RECOIL STARTER	1
46075	46075-2060	GRIP, RECOIL STARTER	1
49080	49080-2131	PULLEY-STARTING	1
49088	49088-2052-9H	STARTER-RECOIL	1
59101	59101-2052	REEL, RECOIL STARTER	1
59106	314221-3453-00	ROPE, 5X1300	1
92015	315601-3443A	NUT	1
92022	315601-3442A	WASHER	1
92022A	315601-3458A	WASHER	1
92043	92043-2103	PIN	1
92081	315601-3446A	SPRING	1
92081A	315601-3452A	SPRING, RECOIL	1
130	130B0608	BOLT-FLANGED	3



GRID NO.

C-03

This catalog covers:
FG150G- H90

This grid covers:
LABEL

F0290-2656A

Ref. No.	Parts No.	Description	Quantity
56031	31152S-0826A	LABEL-MANUAL	1
56031A	315813-0817A	LABEL-MANUAL	1

56031A

PREPARATION

- BEFORE STARTING ENGINE, CHECK OIL LEVEL IN CRANK CASE. USE ONLY SAE 30 OR SAE GRADE OIL.
- USE SAE 30 SUMMER TIME.
- USE SAE 10W 30/WINTER TIME.
- OR USE SAE 10W-40 ALL TIME.
- FILL FUEL TANK WITH CLEAN FRESH GASOLINE.

STARTING

- OPEN FUEL VALVE. TURN ENGINE SWITCH TO "ON".
- WHEN ENGINE IS WARM, CLUTCH LEVER TO HALF WAY AT WHICH TIME, MOVE THROTTLE LEVER TO FULL OPEN POSITION BEFORE STARTING ENGINE.
- RETURN THROTTLE TO OPEN POSITION.

STOPPING

- TURN ENGINE SWITCH TO "OFF".
- SHUT OFF FUEL VALVE.

EXHAUST FUME

- DO NOT OPERATE MACHINES IN A CLOSED ROOM WITHOUT PROPER VENTILATION.

STORAGE

- DRAIN ALL FUEL FROM FUEL TANK AND CARBURETOR.

CAUTION:

- DO NOT TOUCH ROTATING PARTS WHEN ENGINE IS RUNNING.
- DO NOT TOUCH MUFFLER WHEN ENGINE IS RUNNING OR JUST AFTER STOPPING.
- SEE OPERATING INSTRUCTIONS.

56031

RUN ← → CHOKE

This catalog covers:
FG150G- H90

GRID NO.

C-04

This grid covers:
ACCESSORY

F0300-2008A

Ref. No.	Parts No.	Description	Quantity
56007	311920-0900A	TOOLKIT	1
92107	92107-2057	TOOL-DRIVER	1
92110	314490-0931A	TOOL-WRENCH, 19X21	1

