

Parts Catalog

MODEL

FC290V-X

PRODUCT CODE

FC290V-AS09



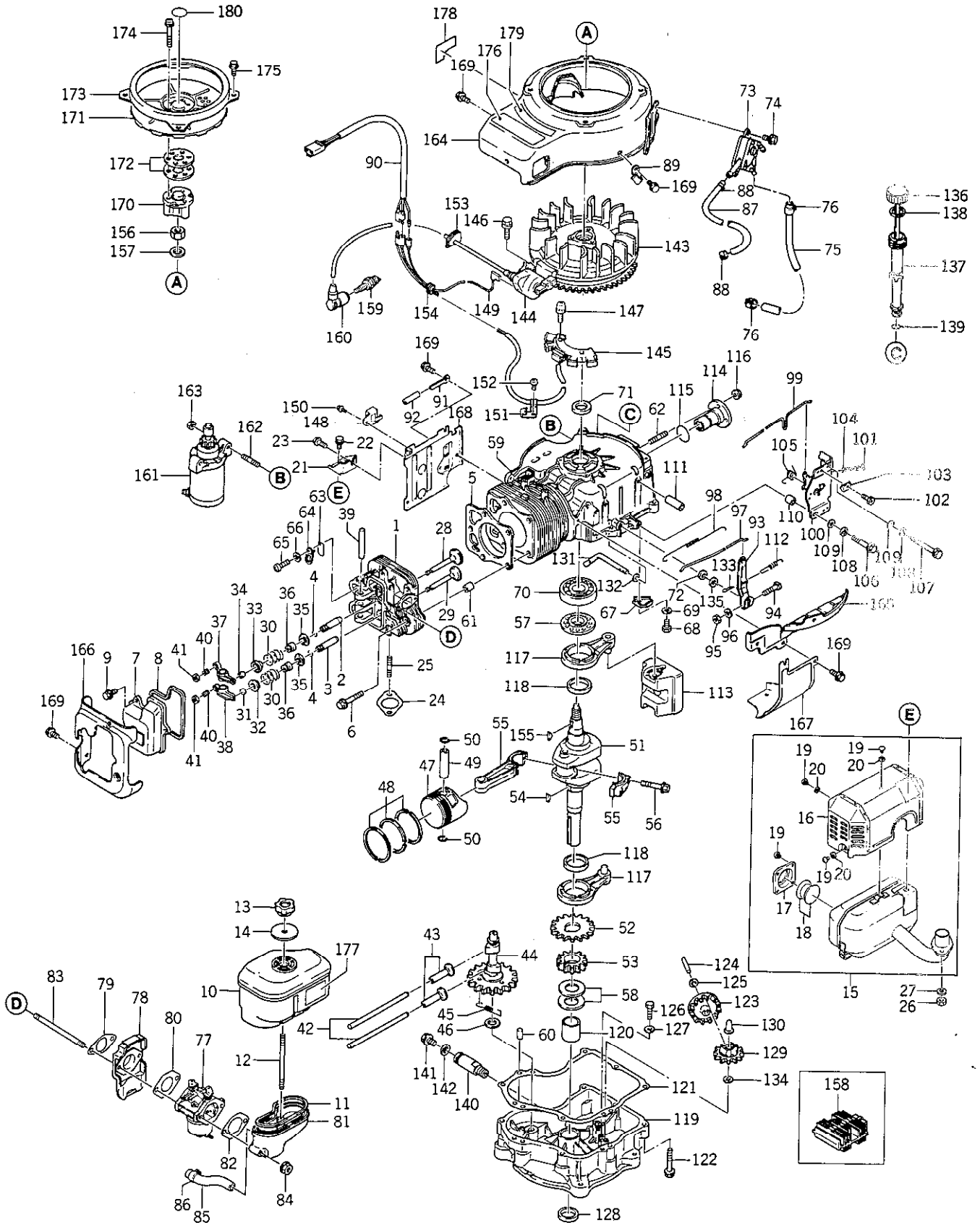
© KAWASAKI HEAVY INDUSTRIES, LTD.

ENGINE DIVISION

P/N 99910-2262

871201 Printed in Japan

FC290V-X FC290V-AS09



FC290V-X FC290V-AS09(A)

Ref.No.	Part No.	Part Name	Quantity					Remarks
			A					
1	11008-6002	CYLINDER HEAD COMP	1					
2	49002-2075	●GUIDE, valve (IN)	1					
3	49002-2076	●GUIDE, valve (EX)	1					
4	92036-023	●RING, snap	2					
5	11004-2086	GASKET, head	1					
6	130T0845	BOLT (8x45)	5					
7	11022-2054	CASE, rocker	1					
8	11009-2421	GASKET, rocker case	1					
9	130B0614	BOLT (6x14)	3					
10	11010-2248	AIR FILTER ASSY	1					Fig. A-1
11	11009-2422	GASKET, air filter	1					
12	171G0690	STUD	1					
13	92015-2138	NUT	1					
14	92022-2204	WASHER	1					
15	49069-2161-9Y	MUFFLER ASSY	1					
16	49106-2387-9Y	●COVER, muffler	1					
17	11012-2232-9Y	●CAP	1					
18	18077-2087	●ARRESTER, spark	2					
19	92009-2166	●SCREW	8					
20	410B0500	●WASHER	4					
21	32069-2063-9Y	BRACKET, muffler	1					
22	184B0814	BOLT (8x14)	1					
23	184B0818	BOLT (8x18)	1					
24	315501-1442A	GASKET	1					
25	171G0818	STUD	2					
26	317R0800	NUT (8mm)	2					
27	461F0800	WASHER, spring	2					
28	12004-2084	VALVE, intake	1					
29	12005-2068	VALVE, exhaust	1					
30	49078-2060	SPRING, valve	2					
31	11012-2189	CAP, valve	1					
32	12009-2058	RETAINER, spring	1					
33	12009-2060	RETAINER, spring	1					
34	12011-2052	COLLET	2					
35	16007-2052	SEAT, spring	2					
36	92049-2100	SEAL, oil	2					
37	12016-2055	ARM, rocker	1					
38	12016-2054	ARM, rocker	1					
39	12020-2057	SHAFT, rocker	1					
40	92009-2182	SCREW	2					
41	92015-2139	NUT	2					
42	13116-2054	ROD, push	2					

FC290V-X FC290V-AS09(A)

Ref.No.	Part No.	Part Name	Quantity					Remarks	
			A						
43	12032-2060	TAPPET	2						
44	49118-2054	CAM SHAFT COMP	1						
45	92081-2297	•SPRING	1						
46	92025-2162	SHIM	AR					t=1.60	
	92025-2163	SHIM	AR					t=1.65	
	92025-2164	SHIM	AR					t=1.70	
	92025-2165	SHIM	AR					t=1.75	
	92025-2166	SHIM	AR					t=1.80	
	92025-2167	SHIM	AR					t=1.85	
	92025-2208	SHIM	AR					t=1.90	
	92025-2209	SHIM	AR					t=1.95	
	47	13001-2089	PISTON	1					S.T.D
		13029-2080	PISTON	AR					O/S 0.25mm
13029-2081		PISTON	AR					O/S 0.50mm	
13027-2055		PISTON	AR					O/S 0.75mm	
48	13008-6007	PISTON RING SET	1					S.T.D	
	13025-2073	PISTON RING SET	AR					O/S 0.25mm	
	13025-2074	PISTON RING SET	AR					O/S 0.50mm	
	13024-2051	PISTON RING SET	AR					O/S 0.75mm	
49	13002-2069	PIN, piston	1						
50	92036-008	RING, snap	2						
51	13037-2269	SHAFT, crank	1						
52	59051-2097	GEAR, spur	1						
53	59056-2088	GEAR, helical	1						
54	92038-2074	KEY	1						
55	13251-6009	CONNECTING ROD ASSY	1					S.T.D	
	13251-6016	CONNECTING ROD ASSY	AR					U/S 0.50mm	
56	315601-3245A	•BOLT, connecting rod	2						
57	92026-2052	SPACER	1						
58	92025-2168	SHIM	AR					t=1.13	
	92025-2169	SHIM	AR					t=1.18	
	92025-2170	SHIM	AR					t=1.23	
	92025-2171	SHIM	AR					t=1.28	
	92025-2172	SHIM	AR					t=1.33	
	92025-2173	SHIM	AR					t=1.38	
	92025-2174	SHIM	AR					t=1.43	
	92025-2175	SHIM	AR					t=1.48	
	92025-2207	SHIM	AR					t=1.53	
	59	49120-6009	CRANK CASE COMP	1					
60	92043-1263	PIN	2						
61	92043-1037	PIN	2						
62	92004-2083	STUD	4						

FC290V-X FC290V-AS09(A)

Ref.No.	Part No.	Part Name	Quantity					Remarks
			A					
63	16126-2107	VALVE	1					
64	13169-2414	PLATE	1					
65	315801-6732A	SCREW	1					
66	410B0500	WASHER	1					
67	18020-2053	BAFFLE	1					
68	112B0510	BOLT (5x10)	1					
69	461F0500A	WASHER, spring	1					
70	601A6306	BEARING, ball (6306)	1					
71	316470-4231-00	SEAL, oil	1					
72	92049-2097	SEAL, oil	1					
73	49040-2062	PUMP ASSY, fuel	1					Fig. P-1
74	130B0610	BOLT (6x10)	2					
75	92059-2169	TUBE	1					
76	317196-6812-00	CLIP	2					
77	15001-2728	CARBURETOR ASSY	1					Fig. C-1
78	16073-2095	INSULATOR	1					
79	11009-2423	GASKET	1					
80	11009-2424	GASKET	1					
81	16060-2113	PIPE, intake	1					
82	11009-2425	GASKET	1					
83	92004-2093	STUD	2					
84	92015-1193	NUT	2					
85	92059-2170	TUBE, breather	1					
86	92037-1104	CLAMP	1					
87	705A061000	TUBE, braid	1					ℓ=255mm
88	317196-6812-00	CLIP	2					
89	92037-2176	CLAMP	1					
90	26001-2113	HARNESS	1					
91	313646-8161-00	CLAMP	1					
92	313642-8167-00	TUBE	1					
93	21187-2051	ARM ASSY	1					
94	92002-2269	BOLT	1					
95	311B0600	NUT (6mm)	1					
96	411B0600	WASHER	1					
97	16171-2051	LINK, governor	1					
98	92081-2299	SPRING, link	1					
99	16169-2077	LINK, choke	1					
100	49113-2065	CONTROL PANEL ASSY	1					
101	220B0425	•SCREW (4x25)	1					
102	310701-1225A	•BOLT	1					
103	92037-2020	•CLAMP	1					
104	314401-5321B	•SPRING	1					

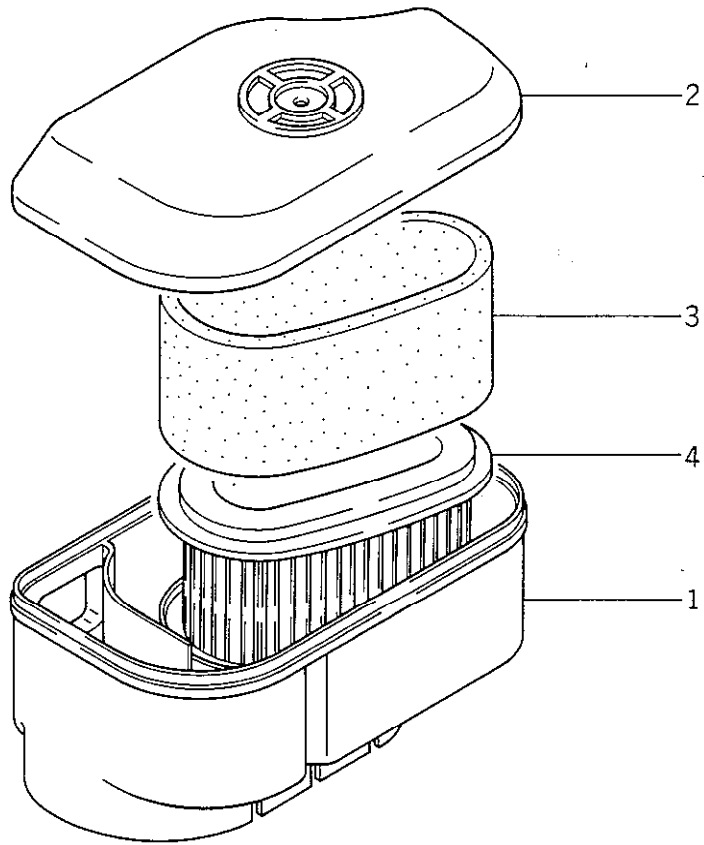
FC290V-X FC290V-AS09(A)

Ref.No.	Part No.	Part Name	Quantity					Remarks
			A					
105	92081-2316	•SPRING	1					
106	112B0630	BOLT (6x30)	1					
107	112B0655	BOLT (6x55)	1					
108	461F0600A	WASHER, spring	2					
109	311509-3595-00	WASHER	2					
110	92027-2088	COLLAR	1					
111	92027-2089	COLLAR	1					
112	92081-2300	SPRING	1					
113	13042-6003	WEIGHT COMP	1					
114	13107-2088	SHAFT	1					
115	92055-2072	O-RING	1					
116	92015-1193	NUT	4					
117	46102-6003	ROD ASSY	2					
118	92141-2090	•BEARING, plain	2					
119	49015-6008	CRANK CASE COVER COMP	1					
120	92141-2091	•BEARING, plane	1					
121	11009-2426	GASKET	1					
122	130T0845	BOLT (8x45)	8					
123	49073-2053	SLINGER, oil	1					
124	13107-2089	SHAFT	1					
125	3145V1-7283A	WASHER	1					
126	187B0512	BOLT (5x12)	1					
127	3145V1-7281A	WASHER	1					
128	92049-2101	SEAL, oil	1					
129	49110-2069	GOVERNOR ASSY	1					
130	42036-2060	SLEEVE, governor	1					
131	39003-2063	ARM, pivot	1					
132	410B0600	WASHER	1					
133	554A0600	PIN, snap	1					
134	92022-2135	WASHER	1					
135	92022-2222	WASHER	1					
136	52005-2064	GAUGE, oil	1					
137	59231-2061	FILLER	1					
138	11009-2346	GASKET	1					
139	670D2016	O-RING	1					
140	59071-2063	JOINT	1					
141	92066-2092	PLUG, drain	1					
142	317370-7883-00	GASKET	1					
143	21193-2055	FLYWHEEL ASSY	1					
144	21121-2058	COIL ignition	1					
145	59031-2062	COIL, charging	1					
146	130B0520	BOLT (5x20)	2					

FC290V-X FC290V-AS09(A)

Ref.No.	Part No.	Part Name	Quantity					Remarks
			A					
147	224B0620	SCREW (6x20)	4					
148	21119-2095	IGNITER	1					
149	26011-2104	WIRE, lead	1					
150	224B0408	SCREW (4x8)	1					
151	92037-2177	CLAMP	1					
152	315801-6732A	SCREW	1					
153	92071-2112	GROMMET	1					
154	92071-2099	GROMMET	1					
155	92038-2094	KEY	1					
156	314G1600A	NUT (16mm)	1					
157	92022-2205	WASHER	1					
158	21066-2004	REGULATOR, voltage	1					
159	92070-2075	PLUG, spark	1					
160	21130-2060	CAP, plug	1					
161	21163-2068	ELECTRIC STARTER ASSY	1					Fig. S-1
162	172G0840	STUD	2					
163	92015-1143	NUT	2					
164	59066-2277-9H	HOUSING, fan	1					
165	59066-2278-9H	HOUSING, fan	1					
166	49089-2188-9H	SHROUD	1					
167	49089-2189-9H	SHROUD	1					
168	49089-2190-9H	SHROUD	1					
169	130G0612	BOLT (6x12)	13					
170	11044-2073	BRACKET	1					
171	14037-2090-9H	SCREEN	1					
172	92025-2176	SHIM	AR					ENL.2
173	55020-2070-9H	GUARD	1					
174	224B0645	SCREW (6x45)	3					
175	130B0610	BOLT (6x10)	4					
176	56038-2455	LABEL, brand	1					☆☆
177	56031-2191	LABEL, manual	1					☆☆
178	56031-2269	LABEL, manual	1					☆☆
179	56030-2204	LABEL	1					☆☆
180	56030-2205	LABEL	1					☆☆

Fig. A-1 AIR FILTER

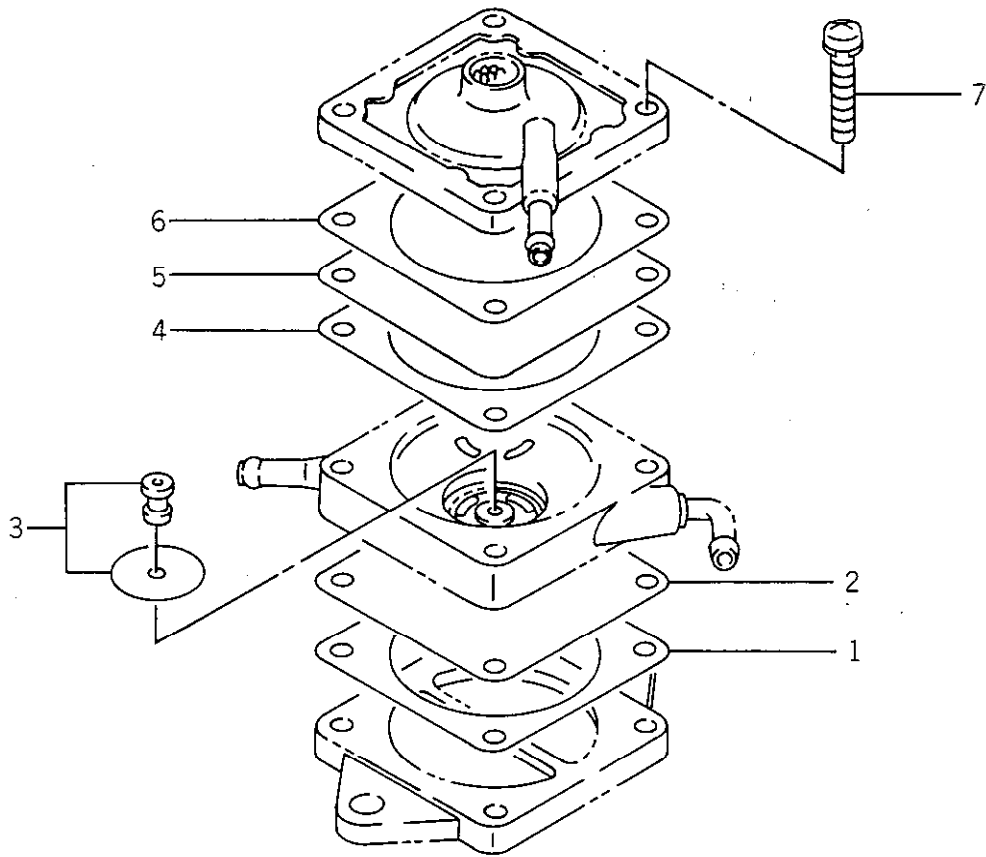


Ref.No.	Part No.	Part Name	Quantity					Remarks
			A					
	11010-2248	AIR FILTER ASSY	1					
A-1- 1	11011-2152	•CASE, air filter	1					
A-1- 2	11012-2183	•CAP, air filter	1					
A-1- 3	11013-2092	•ELEMENT	1					
A-1- 4	11013-2093	•ELEMENT	1					

Fig. C-1 CARBURETOR

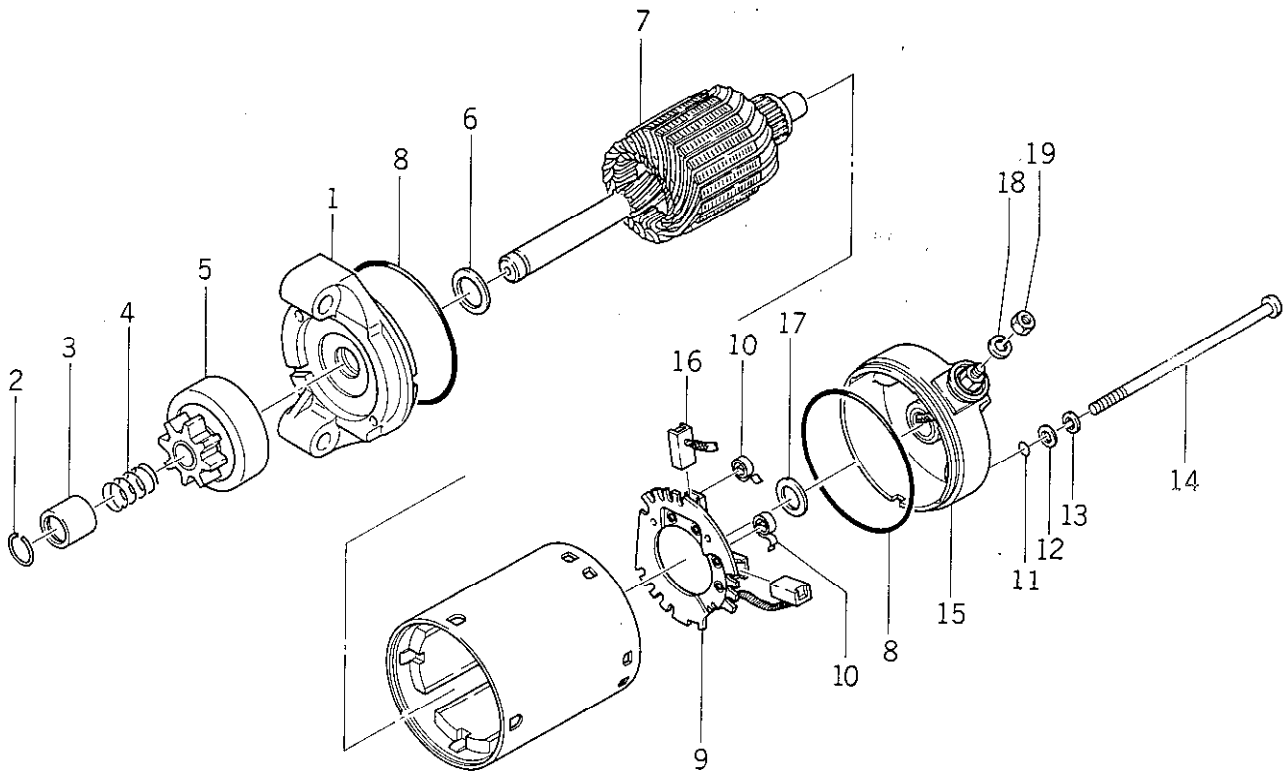
Ref.No.	Part No.	Part Name	Quantity					Remarks
			A					
	15001-2728	CARBURETOR ASSY	1					
C-1- 1	16041-2130	•SHAFT, throttle	1					
C-1- 2	16025-2090	•VALVE, throttle (#110)	1					
C-1- 3	316550-6137A	•SCREW	2					
C-1- 4	92027-2025	•COLLAR	1					
C-1- 5	92144-2002	•SPRING	1					
C-1- 6	316626-6206A	•SEAL	1					
C-1- 7	16041-2129	•SHAFT, choke	1					
C-1- 8	16126-2112	•VALVE, choke	1					
C-1- 9	314572-6137A	•SCREW	2					
C-1-10	92143-2133	•COLLAR	1					
C-1-11	92093-2081	•SEAL	1					
C-1-12	92143-2134	•COLLAR	1					
C-1-13	92081-2303	•SPRING	1					
C-1-14	92143-2132	•COLLAR	1					
C-1-15	92064-2063	•JET, pilot (#45)	1					
C-1-16	16038-024	•GASKET	1					
C-1-17	13183-2252	•PLATE	1					
C-1-18	92009-2244	•SCREW	1					
C-1-19	214B0412A	•SCREW (4x12)	1					
C-1-20	313122-6116-00	•SPRING	2					
C-1-21	16014-2057	•SCREW, pilot air	1					
C-1-22	315827-6113A	•JET, air (#2.0)	1					
C-1-23	315825-6113A	•JET, air (#1.1)	1					
C-1-24	49121-2078	•NOZZLE, main (#12B)	1					
C-1-25	49123-2053	•HOLDER, main jet	1					
C-1-26	315831-6132A	•JET, main (#100)	1					
C-1-27	16030-2067	•VALVE, float	1					
C-1-28	315721-6134A	•RING, snap	1					
C-1-29	16031-2066	•FLOAT	1					
C-1-30	314499-6127A	•PIN, float	1					
C-1-31	16020-2094	•CHAMBER, float	1					
C-1-32	315470-6133A	•• SCREW	1					
C-1-33	313122-6116-00	•• SPRING	1					
C-1-34	313650-6128-00	•GASKET	1					
C-1-35	314486-6143A	•BOLT	1					
C-1-36	318190-6159-00	•GASKET	1					

Fig. P-1 FUEL PUMP



Ref.No.	Part No.	Part Name	Quantity					Remarks
			A					
	49040-2062	FUEL PUMP ASSY	1					
P-1- 1	11009-2764	•GASKET	1					
P-1- 2	43028-2069	•DIAPHRAGM	1					
P-1- 3	49116-2055	•VALVE ASSY	2					
P-1- 4	11009-2763	•GASKET	1					
P-1- 5	43028-2068	•DIAPHRAGM	1					
P-1- 6	11009-2762	•GASKET	1					
P-1- 7	92009-2212	•SCREW	4					

Fig. S-1 ELECTRIC STARTER



Ref.No.	Part No.	Part Name	Quantity					Remarks
			A					
	21163-2068	ELECTRIC STARTER ASSY	1					
S-1- 1	16146-2079	•COVER ASSY	1					
S-1- 2	92033-2076	•RING, snap	1					
S-1- 3	92027-2085	•COLLAR	1					
S-1- 4	92081-2327	•SPRING	1					
S-1- 5	13081-2086	•CLUTCH ASSY	1					
S-1- 6	92022-2201	•WASHER	1					
S-1- 7	21080-2055	•ARMATURE	1					
S-1- 8	92055-1260	•O-RING	2					
S-1- 9	14079-2055	•BRUSH HOLDER ASSY	1					
S-1-10	21040-1051	••SPRING	2					
S-1-11	92055-1261	•O-RING	2					
S-1-12	92022-1623	•WASHER	2					
S-1-13	92022-1622	•WASHER	2					
S-1-14	92002-2281	•BOLT	2					
S-1-15	16146-2080	•COVER ASSY	1					
S-1-16	21039-2057	••BRUSH	1					
S-1-17	92022-2200	•WASHER	1					
S-1-18	461F0600A	•WASHER, spring	1					
S-1-19	92015-2151	•NUT	1					