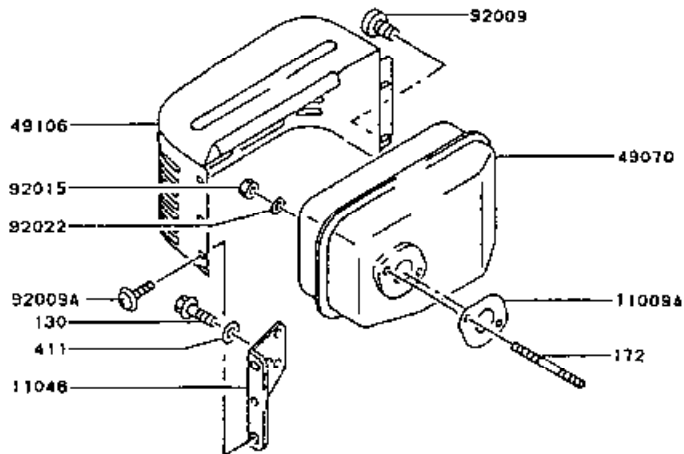
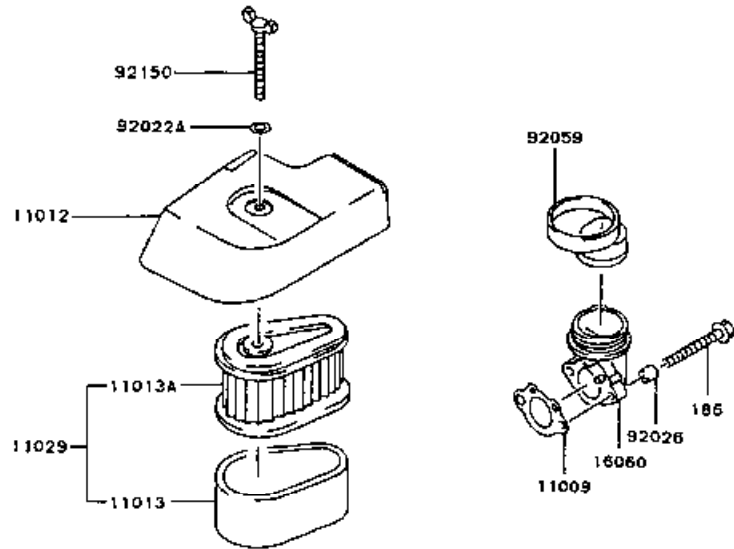
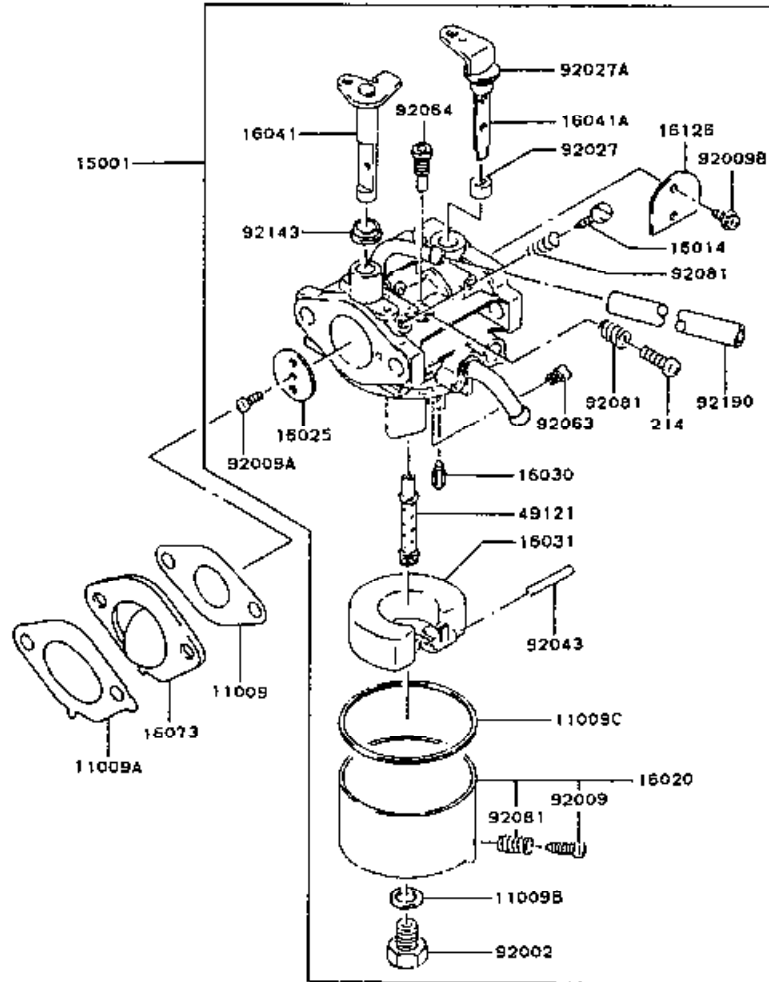


E0190-2071A

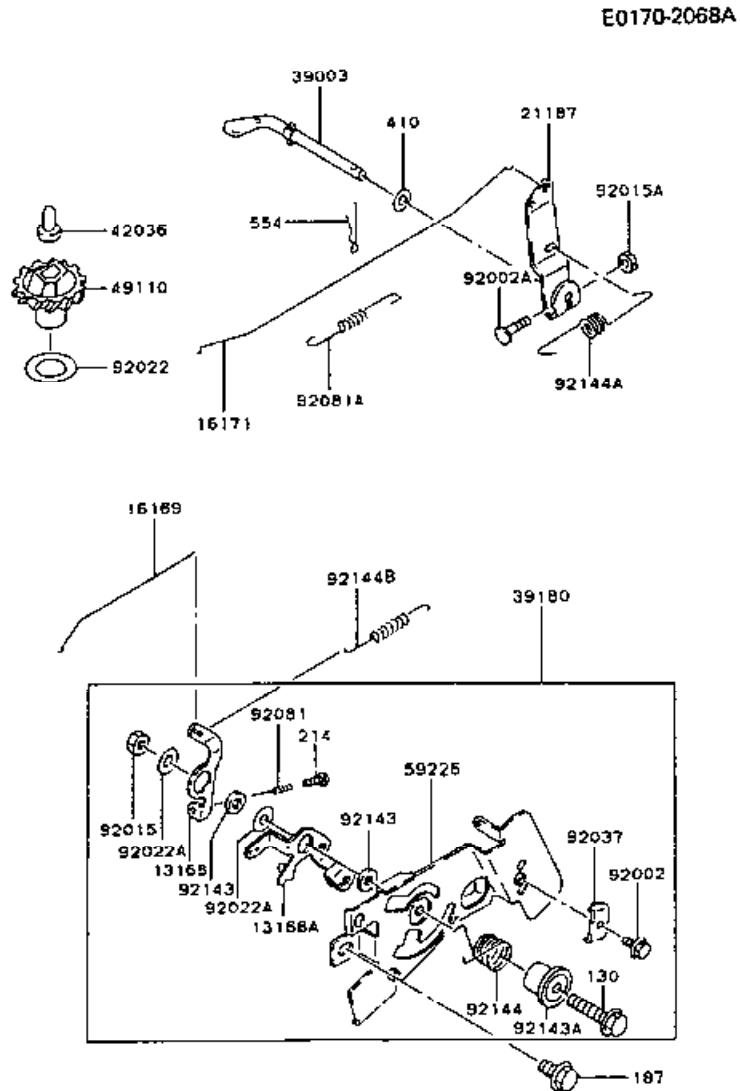


Ref.- Nr.	Teile-nr.	Beschreibung
130	130B0510	Bolt-flanged
172	172G0680	Bolt-stud
186	186B0680	Bolt-upset-wp
411	411B0500	Washer-plain
11009	11009-2742	Gasket,intake Pipe
11009a	11009-2743	Gasket,muffler
11012	11012-2273	Cap,air Filter
11013	11013-2119	Element-air Filter
11013a	11013-2120	Element-air Filter
11029	11029-2002	Element-assy-air Filter
11046	11046-2053	Bracket
16060	16060-2129	Pipe-intake
49070	49070-2461	Muffler-comp
49106	49106-2430	Cover-muffler
92009	92009-2104	Screw
92009a	92009-2166	Screw,5x8
92015	92015-1193	Nut
92022	92022-2004	Washer
92022a	92022-2136	Washer
92026	92026-2272	Spacer,6.2x7.8x8
92059	92059-2257	Tube
92150	92150-2101	Bolt

E0180-2070A

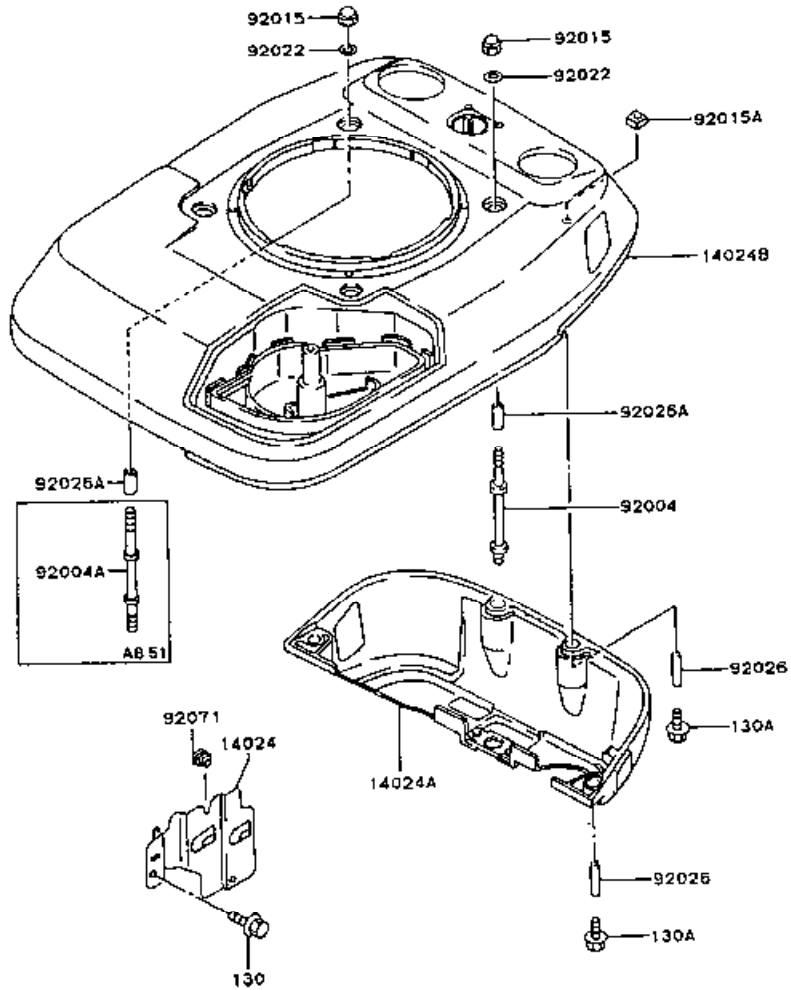


Ref.- Nr.	Teile-nr.	Beschreibung
214	214B0412	Screw-pan+-
11009	11009-2746	Gasket,carburetor
11009a	11009-2833	Gasket,insulator
11009b	11009-2036	Gasket
11009c	11009-2037	Gasket
15001	15001-2962	Carburetor-assy
16014	16014-2004	Screw-pilot Air
16020	16020-2052	Chamber-float
16025	16025-2001	Valve-throttle,#110
16030	16030-2003	Valve-float
16031	16031-2058	Float
16041	16041-2178	Shaft-carburetor,throttle
16041a	16041-2194	Shaft-carburetor,choke
16073	16073-2136	Insulator
16126	16126-2168	Valve,choke
49121	49121-2113	Nozzle-main,#2a
92002	92002-2011	Bolt
92009	92009-2015	Screw
92009a	92009-2080	Screw
92009b	92009-2149	Screw
92027	92027-2003	Collar
92027a	92027-2004	Collar
92043	92043-2006	Pin
92063	92063-2096	Jet-main,#68.8
92064	92064-2065	Jet-pilot,#38.8
92081	92081-2009	Spring
92143	92143-2143	Collar
92190	92190-2003	Tube,5x8x125



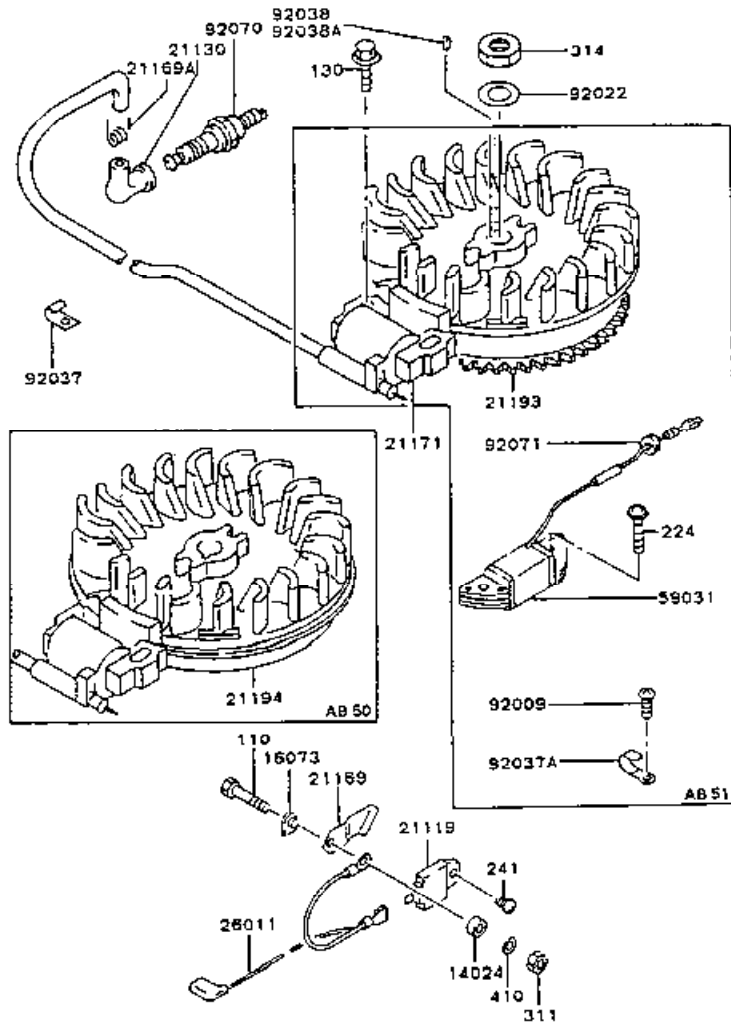
Ref.- Nr.	Teile-nr.	Beschreibung
130	130B0630	Bolt-flanged
187	187B0614	Bolt-upset-wsp
214	214B0420	Screw-pan+-
410	410B0600	W-plain-s
554	554A0600	Pin-snap
13168	13168-2288	Lever
13168a	13168-2298	Lever
16169	16169-2104	Link-choke
16171	16171-2060	Link
21187	21187-2060	Arm-assy
39003	39003-2066	Arm-pivot
39180	39180-2549	Panel-assy-control
42036	42036-2051	Sleeve
49110	49110-2076	Governor-assy
59226	59226-2201	Panel-control
92002	92002-2188	Bolt
92002a	92002-2269	Bolt
92015	92015-2051	Nut
92015a	92015-1193	Nut
92022	92022-2019	Washer
92022a	92022-2372	Washer,6x19x1.2
92037	92037-2209	Clamp
92081	92081-2103	Spring
92081a	92081-2299	Spring,link
92143	92143-2135	Collar,6x13x2.3
92143a	92143-2148	Collar
92144	92144-2211	Spring
92144a	92144-2213	Spring
92144b	92144-2235	Spring

ED150-2067B



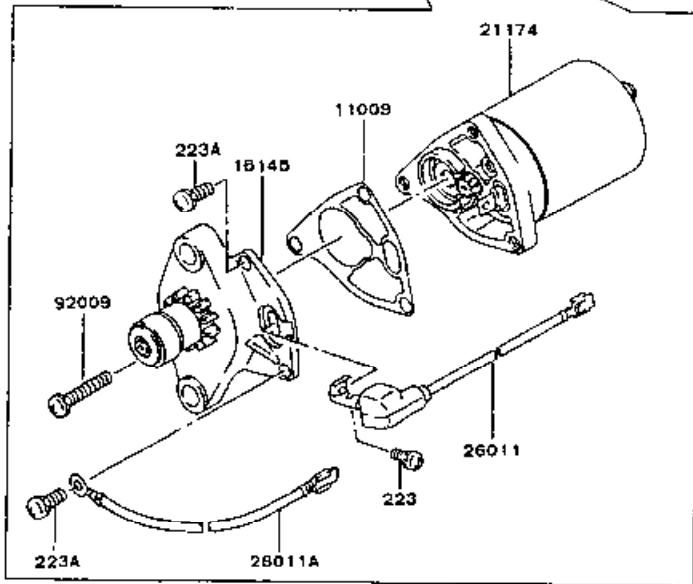
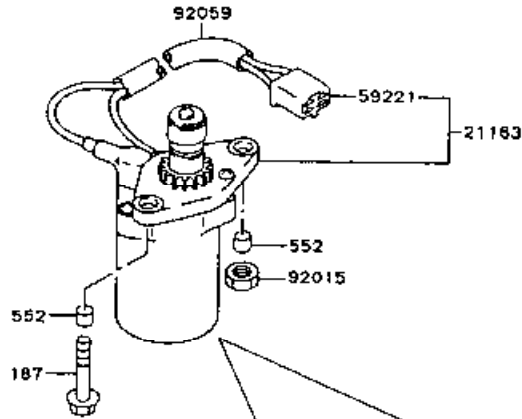
Ref.- Nr.	Teile-nr.	Beschreibung
130	130B0510	Bolt-flanged
130a	130G0625	Bolt-flanged
14024	14024-2181	Cover
14024a	14024-2232	Cover,lower
14024b	14024-2253	Cover,upper
92004	92004-2117	Stud
92004	92004-2117	Stud
92004a	92004-2118	Stud
92015	92015-1170	Nut
92015a	92015-2241	Nut,6mm
92022	92022-2136	Washer
92026	92026-2273	Spacer,6.2x7.8x17
92026a	92026-2274	Spacer,6.2x7.8x22
92071	92071-2109	Grommet

E0150-2160A

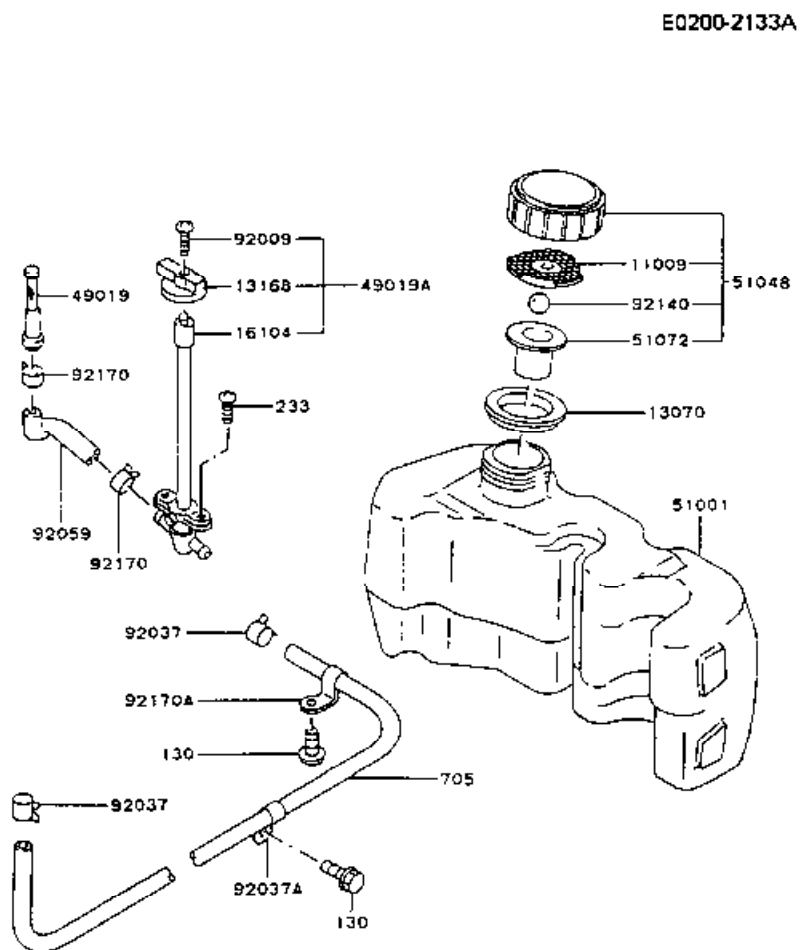


Ref.- Nr.	Teile-nr.	Beschreibung
110	110B0522	Bolt-flanged
130	130G0625	Bolt-flanged
224	224B0625	Screw-pan-wp-cros
241	241B0412	Screw-pan-wp+-
311	311B0500	Nut-hex
314	314G1400	Nut-hex-fine
410	410B0500	W-plain-s
14024	14024-2183	Cover
16073	16073-2124	Insulator
21119	21119-2119	Igniter
21130	21130-2051	Cap-spark Plug
21169	21169-2066	Terminal
21169a	21169-2004	Terminal
21171	21171-2153	Coil-assy-ignition
21193	21193-2086	Flywheel-assy
21194	21194-2186	Flywheel-comp
26011	26011-2224	Wire-lead
59031	59031-2076	Coil-charging
92009	92009-2101	Screw
92022	92022-2102	Washer
92037	92037-2147	Clamp
92037a	92037-2104	Clamp
92038	92038-2077	Key
92038a	92038-2077	Key
92070	92070-2081	Plug-spark,bp6es(ngk)
92071	92071-2122	Grommet

E0210-2093A



Ref.- Nr.	Teile-nr.	Beschreibung
187	187G0635	Bolt 6 X 35
223	223B0406	Screw-pan-ws-cros
223a	223D0516	Screw-pan-ws-cros
552	552B1012	Pin-dowel
11009	11009-2786	Gasket,starter
16146	16146-2156	Cover-assy,starter
21163	21163-2079	Starter-electric
21174	21174-2051	Motor-electric
26011	26011-2209	Wire-lead
26011a	26011-2210	Wire-lead
59221	59221-2128	Connector-cord
92009	92009-2281	Screw,5x32
92015	92015-1193	Nut
92059	92059-2261	Tube

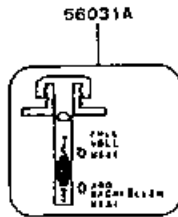


Ref.- Nr.	Teile-nr.	Beschreibung
130	130B0610	Bolt-flanged
233	233B0510	Screw-pan-wp+-
705	705A041000	Tube-braid,l=405mm
11009	11009-2865	Gasket
13070	13070-2077	Guide
13168	13168-2303	Lever
16104	16104-2052	Filter-comp
49019	49019-2091	Filter-fuel
49019a	49019-2094	Filter-fuel
51001	51001-2214	Tank-comp-fuel
51048	51048-2070	Cap-assy-tank
51072	51072-2058	Chamber-fuel
92009	92009-2296	Screw
92037	92037-2125	Clamp
92037a	92037-2202	Clamp
92059	92059-2262	Tube
92140	92140-2052	Ball
92170	92170-2009	Clamp
92170a	92170-2020	Clamp

Ref.- Nr. Teile-nr. Beschreibung

56031	56031-2375	Label-manual
56031a	56031-2376	Label-manual

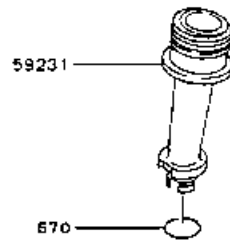
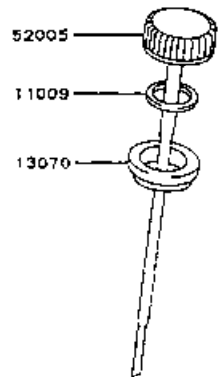
F0290-2186A



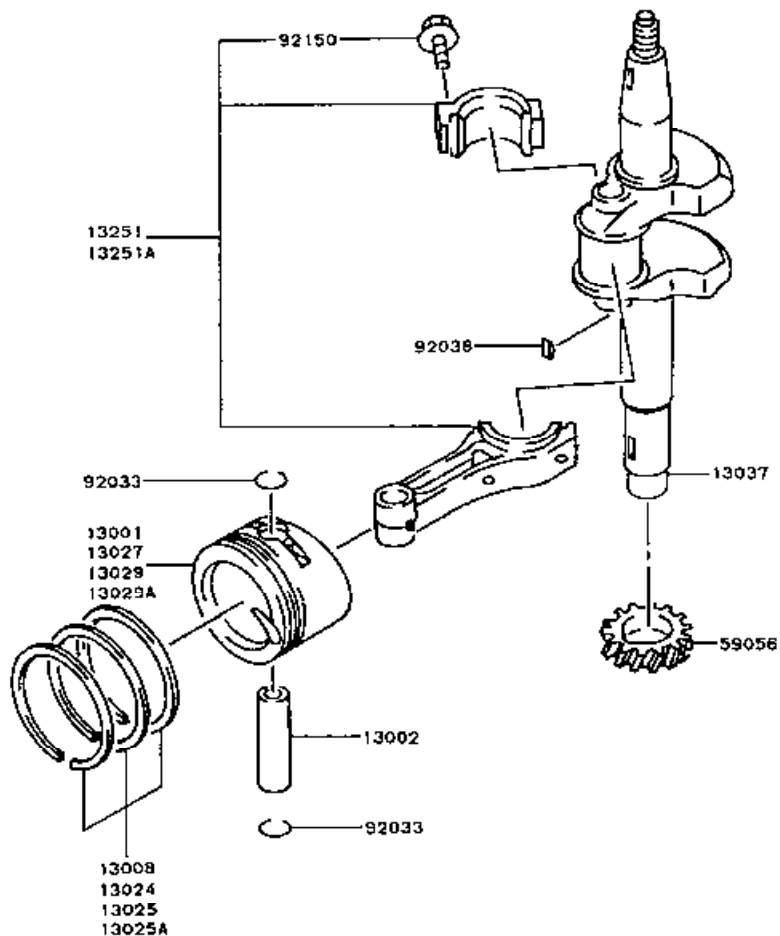
AIR CLEANER MAINTENANCE	LUFTFILTER-PFLEGE	ENTRETIEN DU FILTRE À AIR
<p>FOAM ELEMENT: CLEAN EVERY 25 HRS. 1. WASH IN DETERGENT AND WATER, AND DRY THOROUGHLY. 2. EXCHANGE IN ENGINE OIL AND SOOZE OUT EXCESS.</p> <p>PAPER ELEMENT: CLEAN EVERY 100 HRS. 1. CLEAN BY TAPPING GENTLY TO REMOVE DUST. 2. IF VERY DIRTY, REPLACE OR WASH IN DETERGENT AND WATER AND DRY THOROUGHLY.</p>	<p>REINIGEN SIE DAS SCHÄUMELEMENT JEWELNS NACH 25 STUNDEN LAUFZEIT. 1. WASCHEN SIE ES MIT REINIGUNGS- MITTEL UND WASSER UND TROCKNEN SIE ES SORGFÄLIG. 2. ERWECHEN SIE ES IN MOTORÖL UND DRÜCKEN SIE DIE ÜBERSCHÜSSIGE ÖL AUS. REINIGEN SIE DAS PAPIERELEMENT JEWELNS NACH 100 STUNDEN. 3. ENTFERNEN SIE DEN STAUB VORSICHTIG. 4. EIN STARK VERSCHEMTES PAPIER- ELEMENT ERSETZEN SIE BLIND ODER REINIGEN ES MIT REINIGUNGSMITTEL UND WASSER UND TROCKNEN ES AN- SCHLIESSEND SORGFÄLIG.</p>	<p>ACTIVER LA MOUSSE TOUTES LES 25 H. 1. LAVEZ À L'EAU SAVONNEUSE RINCEZ ET ESSOREZ. 2. IMBIBEZ LÉGÈREMENT AVEC DE L'HUILE MOTOCYCLE. NETTOIEZ LA CARTOUCHE SÈCHE TOUTES LES 100 H. 1. TAPER LÉGÈREMENT LA CARTOUCHE POUR ÉVACUER LES POUSSIÈRES. 2. EN CAS DE DÉPÔTS, REMPLACER LA CARTOUCHE.</p>

E0140-2045A

Ref.- Nr.	Teile-nr.	Beschreibung
670	670D2016	O Ring
11009	11009-2346	Gasket,oil Gauge
13070	13070-2078	Guide
52005	52005-2094	Gauge,oil
59231	59231-2071	Filler



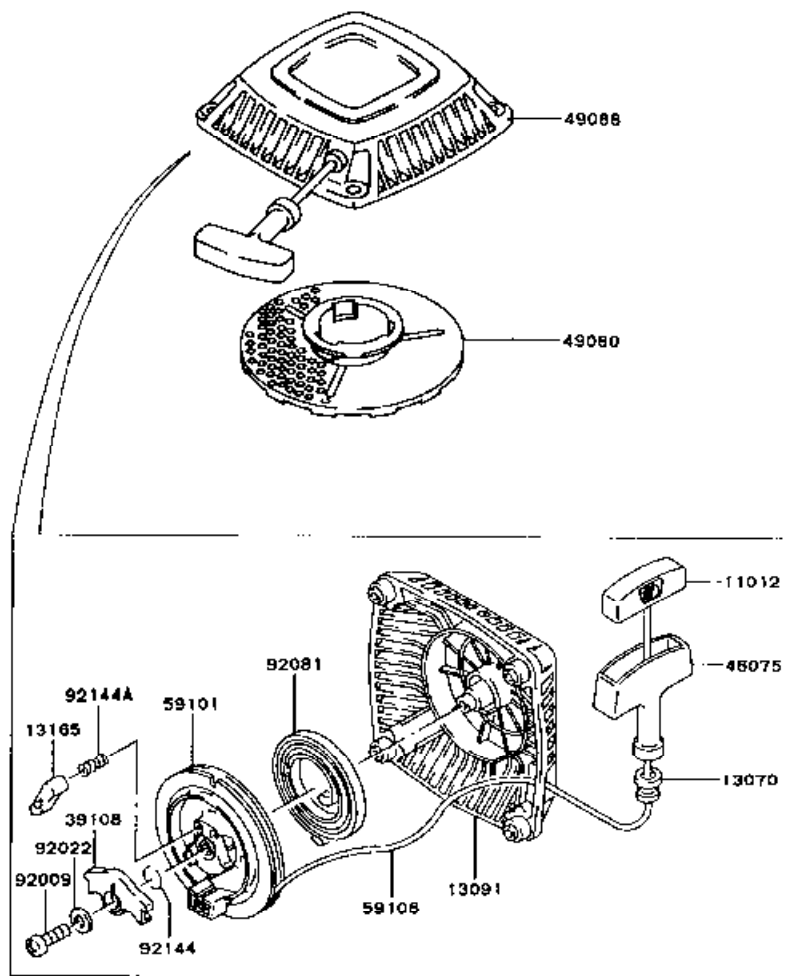
E0120-2071A



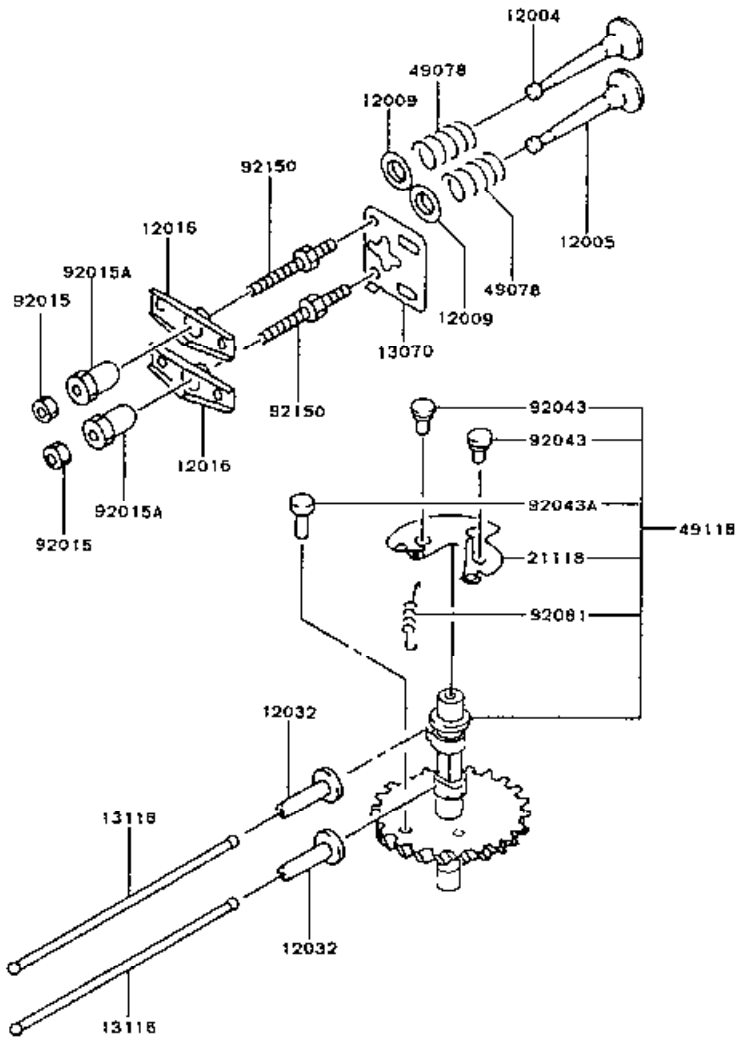
Ref.- Nr.	Teile-nr.	Beschreibung
13001	13001-2109	Piston-engine
13002	13002-2074	Pin-piston
13008	13008-6017	Ring-set-piston
13024	13024-6002	Ring-set-piston L1,0.75
13025	13025-6003	Ring-set-piston L,0.25
13025a	13025-6004	Ring-set-piston L,0.50
13027	13027-2058	Ring-set-piston L1,0.75
13029	13029-2094	Piston-engine L,0.25
13029a	13029-2095	Piston-engine L,0.50
13037	13037-2379	Crankshaft
13251	13251-6025	Rod-assy-connecting
13251a	13251-6027	Rod-assy-connecting,u/s=0.50
59056	59056-2726	Gear-helical
92033	92033-2052	Ring-snap
92038	92038-2093	Key
92150	92150-2122	Bolt,connecting Rod

E0210-2003A

Ref.- Nr.	Teile-nr.	Beschreibung
11012	11012-2255	Cap,grip
13070	13070-2064	Guide,rope
13091	13091-2113	Holder,recoil
13165	13165-2072	Pawl,recoil Starter
39108	39108-2059	Retainer-spring
46075	46075-2082	Grip,recoil Starter
49080	49080-2143	Pulley-starting
49088	49088-2379	Starter-recoil
59101	59101-2079	Reel,recoil Starter
59106	59106-2115	Rope,3.8x1600
92009	92009-2280	Screw,5x18
92022	92022-2384	Washer,5x12.8x1.2
92081	92081-2265	Spring,recoil
92144	92144-2176	Spring
92144a	92144-2177	Spring,return



E0130-2029A



Ref.- Nr.	Teile-nr.	Beschreibung
12004	12004-2090	Valve-intake
12005	12005-2074	Valve-exhaust
12009	12009-2062	Retainer-valve Spring
12016	12016-2057	Arm-rocker
12032	12032-2065	Tappet
13070	13070-2072	Guide
13116	13116-2065	Rod-push
21118	21118-2069	Decompressor
49078	49078-2064	Spring-engine Valve
49118	49118-2068	Camshaft-comp
92015	92015-2240	Nut
92015a	92015-2253	Nut
92043	92043-2168	Pin
92043a	92043-2169	Pin
92081	92081-2342	Spring
92150	92150-2102	Bolt