

Parts Catalog

MODEL

FB460V-X

PRODUCT CODE

FB460V-AS51, BS51, CS51

ANDREAS PETERSEN HØJBY ApS

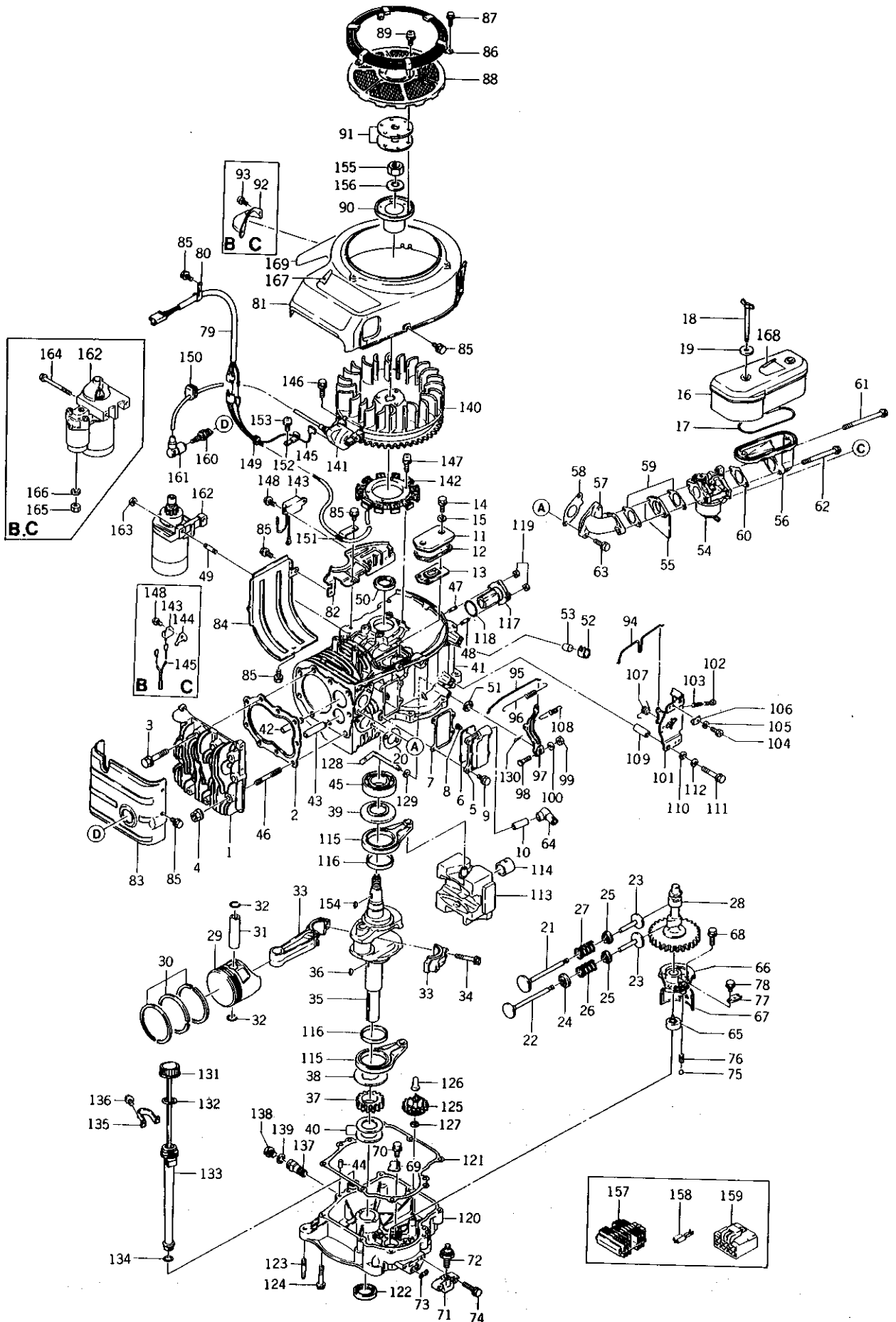
KNULLEN 2 - HØJBY

DK-5260 ODENSE S

TLF. 09-95 81 80 - TELEX 59960 viking dk.



FB460V-X FB460V-AS51,BS51,CS51



WOSTODNIA G.

Ref.No.	Part No.	Part Name	Quantity						Remarks
			A	B	C				
1	11001-2076	HEAD, cylinder	1	1	1				
2	11004-2079	GASKET, head	1	1	1				
3	130G1055	BOLT (10x55)	6	6	6				
4	92015-2115	NUT	3	3	3				
5	49108-2011	COVER, valve chamber	1	1	1				
6	14025-2143	COVER	1	1	1				
7	11009-2338	GASKET	1	1	1				
8	314405-3092A	SCREW	2	2	2				
9	130G0616	BOLT (6x16)	4	4	4				
10	92059-2142	TUBE	1	1	1				
11	14025-2040	COVER	1	1	1				
12	11009-2339	GASKET	1	1	1				
13	14069-2062	BREATHER	1	1	1				
14	315501-5381A	BOLT	2	2	2				
15	312200-7415-02	GASKET	2	2	2				
16	11010-2222	AIR FILTER ASSY	1						Fig. A-1
	11010-2256	AIR FILTER ASSY		1					Fig. A-1
	11010-2291	AIR FILTER ASSY			1				Fig. A-1
17	11009-2443	GASKET	1	1	1				
18	92002-2230	BOLT	2	2	2				
19	92022-2220	WASHER	2	2	2				
20	11009-2378	GASKET	1	1	1				
21	12004-2076	VALVE, intake	1	1	1				
22	12005-2066	VALVE, exhaust	1	1	1				
23	12032-2058	TAPPET	2	2	2				
24	12039-2052	ROTATOR	1	1	1				
25	39108-2054	RETAINER, spring	2	2	2				
26	49078-2058	SPRING, valve	1	1	1				
27	49078-2059	SPRING, valve	1	1	1				
28	12044-2109	SHAFT, cam	1	1	1				
29	13001-2084	PISTON	1	1	1				S.T.D
	13029-2019	PISTON	AR	AR	AR				O/S 0.25mm
	13029-2020	PISTON	AR	AR	AR				O/S 0.50mm
	13027-2001	PISTON	AR	AR	AR				O/S 0.75mm
30	13008-6001	PISTON RING SET	1	1	1				S.T.D
	13008-6002	PISTON RING SET	AR	AR	AR				O/S 0.25mm
	13008-6003	PISTON RING SET	AR	AR	AR				O/S 0.50mm
	13008-6004	PISTON RING SET	AR	AR	AR				O/S 0.75mm
31	13002-2066	PIN, piston	1	1	1				
32	92033-2066	RING, snap	2	2	2				
33	13251-6005	CONNECTING ROD ASSY	1	1	1				S.T.D
	13251-6007	CONNECTING ROD ASSY	AR	AR	AR				U/S 0.50mm

Ref.No.	Part No.	Part Name	Quantity						Remarks
			A	B	C				
34	315801-3245A	•BOLT, connecting rod	2	2	2				
35	49119-2115	CRANK SHAFT COMP	1	1	1				
36	510A5100	KEY	1	1	1				
37	59056-2018	GEAR, helical	1	1	1				
38	92026-2156	SPACER	1	1	1				
39	92026-2150	SPACER	1	1					
	92026-2164	SPACER			1				
40	92025-2145	SHIM	AR	AR	AR				t=1.18
	92025-2146	SHIM	AR	AR	AR				t=1.25
	92025-2147	SHIM	AR	AR	AR				t=1.32
	92025-2148	SHIM	AR	AR	AR				t=1.39
	92025-2149	SHIM	AR	AR	AR				t=1.46
	92025-2150	SHIM	AR	AR	AR				t=1.53
	92025-2151	SHIM	AR	AR	AR				t=1.60
	92025-2152	SHIM	AR	AR	AR				t=1.67
	92025-2153	SHIM	AR	AR	AR				t=1.74
41	49120-6001	CRANK CASE COMP	1						
	49120-6008	CRANK CASE COMP		1					
	49120-6013	CRANK CASE COMP			1				
42	49002-2070	•GUIDE, valve (IN)	1	1	1				
43	49002-2071	•GUIDE, valve (EX)	1	1	1				
44	551A0814	PIN, dowel	2						
	92043-2111	PIN		2	2				
45	601A6207	BEARING, ball (6207)	1	1	1				
46	92004-2082	STUD	3	3	3				
47	171G0612	STUD	2						
48	92004-2083	STUD	2	4	4				
49	172G0822	STUD	2						
50	92049-2096	SEAL, oil	1	1	1				
51	92049-2097	SEAL, oil	1	1	1				
52	317196-6812-00	CLIP	1	1	1				
53	92066-2096	PLUG	1	1	1				
54	15001-2395	CARBURETOR ASSY	1	1	1				Fig. C-1
55	16073-2091	INSULATOR	1	1	1				
56	16060-2108	PIPE, intake	1	1	1				
57	16060-2109	PIPE, intake	1	1	1				
58	11009-2342	GASKET	1	1	1				
59	11009-2343	GASKET	2	2	2				
60	11009-2344	GASKET	1	1	1				
61	92002-2254	BOLT	1	1	1				
62	92002-2253	BOLT	1	1	1				
63	130G0825	BOLT (8x25)	2	2	2				

Ref.No.	Part No.	Part Name	Quantity						Remarks
			A	B	C				
64	59071-2062	JOINT	1	1	1				
65	16082-2057	OIL PUMP ASSY	1	1	1				
66	16142-6001	PUMP COVER COMP	1	1	1				
67	49065-2056	FILTER, oil	1	1	1				
68	130G0825	BOLT (8x25)	3	3	3				
69	13169-2359	PLATE	1	1	1				
70	130B0508	BOLT (5x8)	1	1	1				
71	14025-2145	COVER	1	1	1				
72	317471-8620A	SWITCH	1	1	1				
73	92055-2063	O-RING	1	1	1				
74	130B0830	BOLT (8x30)	2	2	2				
75	600A1000	BALL, steel	1	1	1				
76	92081-2216	SPRING	1	1	1				
77	13169-2360	PLATE	1	1	1				
78	130B0610	BOLT (6x10)	1	1	1				
79	26001-2113	HARNES	1	1	1				
80	313646-8161-00	CLAMP	1	1	1				
81	59066-2264-9H	HOUSING, fan	1						
	59066-2312-9H	HOUSING, fan		1	1				
82	59066-2238-9H	HOUSING, fan	1						
	59066-2295-9H	HOUSING, fan		1	1				
83	49089-2168-9H	SHROUD	1	1	1				
84	49089-2169-9H	SHROUD	1						
	49089-2199-9H	SHROUD		1	1				
85	130B0610	BOLT (6x10)	11	11	11				
86	55020-2053	GUARD	1	1	1				
87	130B0508	BOLT (5x8)	3	3	3				
88	14037-2084-9H	SCREEN	1	1	1				
89	224B0616	SCREW (6x16)	3	3	3				
90	11043-2163	BRACKET	1	1	1				
91	92025-2003	SHIM	AR	AR	AR				
92	14024-2028-9H	COVER		1	1				
93	234B0408	SCREW (4x8)		2	2				
94	16169-2074	LINK, choke	1	1	1				
95	16171-2001	LINK	1	1	1				
96	92081-2213	SPRING	1	1	1				
97	21187-2001	GOVERNOR ARM COMP	1						
	21187-2052	GOVERNOR ARM COMP		1	1				
98	110B0625	BOLT (6x25)	1						
	92002-2269	BOLT		1	1				
99	311B0600	NUT (6mm)	1	1	1				
100	411B0600	WASHER	1	1	1				

Ref.No.	Part No.	Part Name	Quantity					Remarks
			A	B	C			
101	49113-2056	CONTROL PANEL ASSY	1	1				
	49113-2058	CONTROL PANEL ASSY			1			
102	214B0425	•SCREW (4x25)	1	1	1			
103	314401-5321B	•SPRING	1	1	1			
104	315501-5381A	•BOLT	1	1				
	310701-1225A	•BOLT			1			
105	411B0500	•WASHER	1	1				
106	92037-2020	•CLAMP	1	1	1			
107	92081-2316	•SPRING	1	1	1			
108	92081-2214	SPRING	1	1	1			
109	92027-2071	COLLAR	2	2	2			
110	311509-3595-00	WASHER	2	2	2			
111	112B0650	BOLT (6x50)	2	2	2			
112	461F0600A	WASHER, spring	2	2	2			
113	13042-6001	WEIGHT COMP	1					
	13042-6004	WEIGHT COMP		1				
	13042-6006	WEIGHT COMP			1			
114	92141-2007	•BEARING, plain	1	1				
	92141-2097	•BEARING, plain			1			
115	46102-6001	ROD ASSY	2	2	2			
116	92141-2094	•BEARING, plane	2	2	2			
117	13107-2082	SHAFT	1					
	13107-2091	SHAFT		1	1			
118	92055-2062	O-RING	1					
	92055-2072	O-RING		1	1			
119	92051-1193	NUT	4	4	4			
120	49015-6001	CRANK CASE COVER COMP	1	1	1			
121	11009-2337	GASKET	1	1	1			
122	92049-2095	SEAL, oil	1	1				
	92049-2104	SEAL, oil			1			
123	92004-2081	STUD	2	2	2			
124	130G0845	BOLT (8x45)	8	8	8			
125	49110-2067	GOVERNOR ASSY	1	1	1			
126	42036-2060	SLEEVE	1	1	1			
127	314401-5135A	WASHER	1	1	1			
128	39003-2062	ARM, pivot	1	1	1			
129	410B0600	WASHER	1	1	1			
130	554A0600	PIN, snap	1	1	1			
131	52005-2058	GAUGE	1	1	1			
132	11009-2346	GASKET	1	1	1			
133	59231-2059	FILLER	1	1	1			
134	670D2016	O-RING	1	1	1			

Ref.No.	Part No.	Part Name	Quantity						Remarks
			A	B	C				
135	92037-2160-9H	CLAMP	1	1	1				
136	130B0508	BOLT (5x8)	1	1	1				
137	59071-2063	JOINT	1	1	1				
138	92066-2092	PLUG	1	1	1				
139	317370-7883-00	GASKET	1	1	1				
140	21193-2001	FLYWHEEL COMP	1	1	1				
141	21121-2008	COIL, ignition	1	1	1				
142	59031-2003	COIL, charging	1	1	1				
143	21119-2007	IGNITER	1						
	21119-2095	INGITER		1	1				
144	310702-8137A	BRACKET		1	1				
145	26011-2065	WIRE, lead	1						
	26011-2119	WIRE, lead		1	1				
146	130B0525	BOLT (5x25)	2	2	2				
147	224B0620	SCREW (6x20)	4	4	4				
148	234B0408	SCREW (4x8)	2	1	1				
149	92071-2099	GROMMET	1	1	1				
150	92071-2100	GROMMET	1	1	1				
151	92037-2158	CLAMP	1	1	1				
152	311901-8161A	CLAMP	1	1	1				
153	234B0408	SCREW (4x8)	1	1	1				
154	510A5100	KEY	1	1	1				
155	314G1800	NUT (18mm)	1	1	1				
156	92022-2178	WASHER	1	1	1				
157	21066-2004	REGULATOR, voltage	1	1	1				
158	21169-2055	TERMINAL	6	6	6				
159	59221-2099	CONNECTOR, cord	1	1	1				
160	92070-2072	PLUG, spark (NGK BMR4A)	1	1	1				
161	21130-2060	CAP, plug	1	1	1				
162	21163-2065	ELECTRIC STARTER ASSY	1						Fig. S-1
	21163-2070	ELECTRIC STARTER ASSY		1	1				Fig. S-2
163	92015-1143	NUT	2						
164	92002-2278	BOLT		2	2				
165	317B0800	NUT (8mm)			1				
166	461F0800	WASHER, spring			1				
167	56038-2259	LABEL, brand	1	1	1				★★
168	56031-2191	LABEL, manual	1	1	1				★★
169	56031-2249	LABEL, manual	1	1	1				★★

Fig. C-1 CARBURETOR

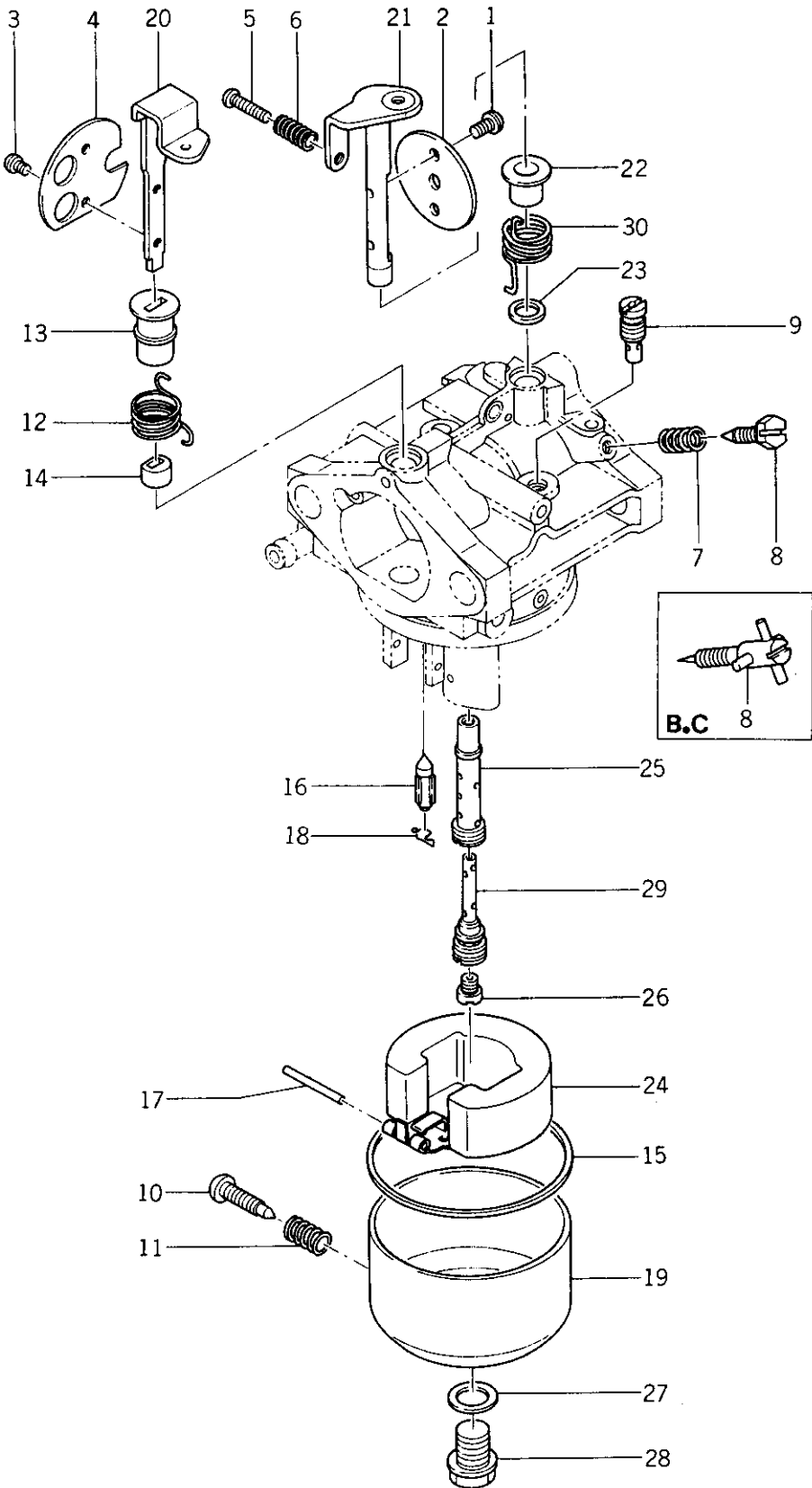
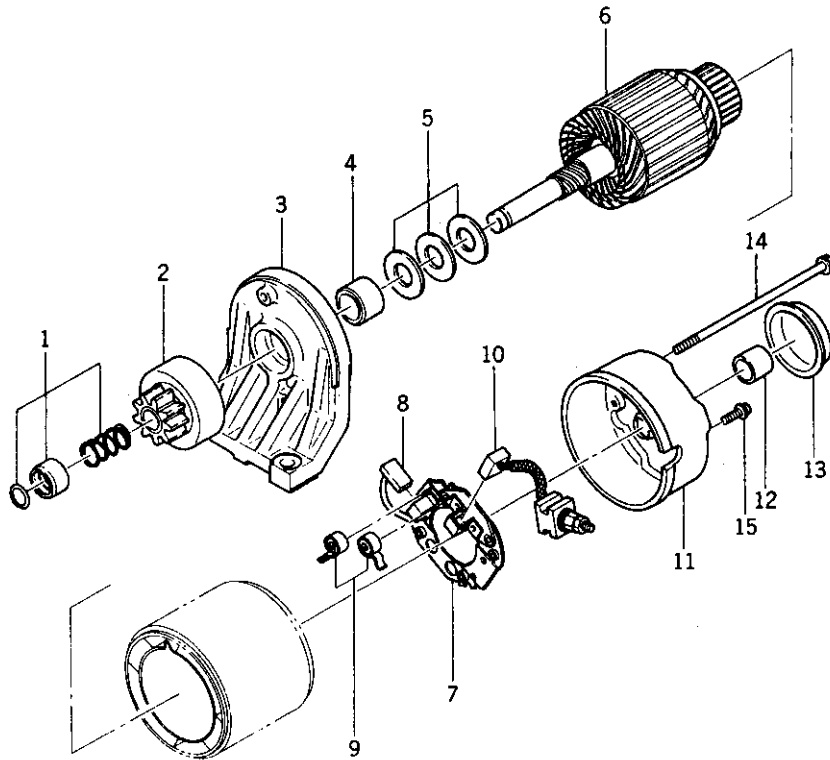


Fig. C-1 CARBURETOR

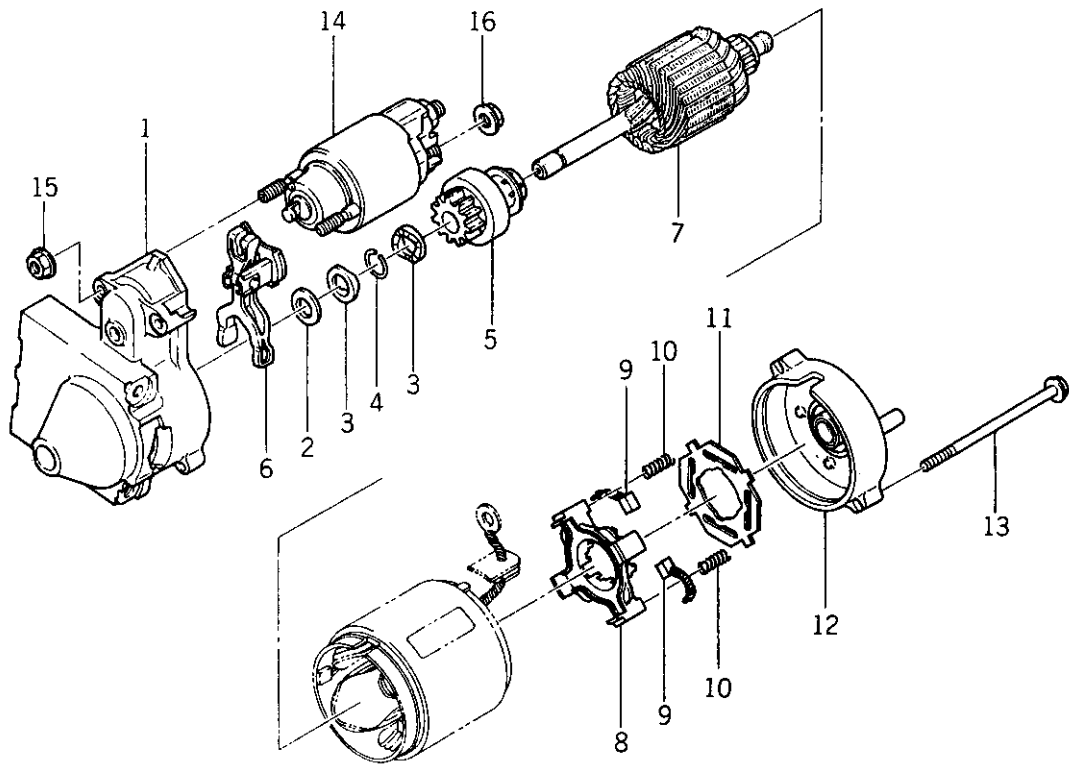
Ref.No.	Part No.	Part Name	Quantity						Remarks
			A	B	C				
	15001-2395	CARBURETOR ASSY	1	1	1				
C-1- 1	316550-6137A	•SCREW	2	2	2				
C-1- 2	16025-2005	•VALVE, throttle (#100)	1	1	1				
C-1- 3	314572-6137A	•SCREW	2	2	2				
C-1- 4	16126-2011	•VALVE, choke	1	1	1				
C-1- 5	92009-2079	•SCREW	1	1	1				
C-1- 6	313650-6108-00	•SPRING	1	1	1				
C-1- 7	312750-6116-00	•SPRING	1	1	1				
C-1- 8	3145V1-6114A	•SCREW, adjuster	1						
	16014-2055	•SCREW, adjuster		1	1				
C-1- 9	317490-6112-00	•JET, pilot (#47.5)	1	1	1				
C-1-10	315470-6133A	•SCREW, drain	1	1	1				
C-1-11	313122-6116-00	•SPRING	1	1	1				
C-1-12	92081-2078	•SPRING	1	1	1				
C-1-13	92027-2026	•RING	1	1	1				
C-1-14	314598-6138A	•RING	1	1	1				
C-1-15	313650-6128-00	•GASKET	1	1	1				
C-1-16	16030-2021	•VALVE, needle	1	1	1				
C-1-17	314499-6127A	•PIN, float	1	1	1				
C-1-18	314595-6134A	•CLIP	1	1	1				
C-1-19	315823-6130A	•CHAMBER, float	1	1	1				
C-1-20	16041-2010	•SHAFT, choke	1	1	1				
C-1-21	16041-2009	•SHAFT, throttle	1	1	1				
C-1-22	92027-2025	•RING	1	1	1				
C-1-23	316626-6206A	•SEAL	1	1	1				
C-1-24	315801-6126A	•FLOAT	1	1	1				
C-1-25	49121-2010	•NOZZLE, main (#6A)	1	1	1				
C-1-26	92063-2010	•JET, main (#112.5)	1	1	1				
C-1-27	318190-6159-00	•WASHER	1	1	1				
C-1-28	314486-6143A	•BOLT	1	1	1				
C-1-29	49123-2016	•HOLDER, main jet	1	1	1				
C-1-30	92081-2077	•SPRING	1	1	1				

Fig. S-1 ELECTRIC STARTER



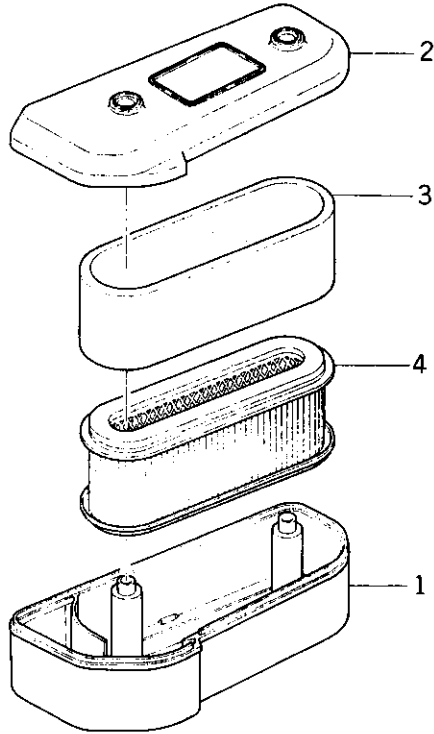
Ref.No.	Part No.	Part Name	Quantity				Remarks
			A	B	C		
	21163-2065	ELECTRIC STARTER ASSY	1				
S-1- 1	317103-8331B	●PINION STOPPER SET	1				
S-1- 2	317221-8312A	●CLUTCH ASSY	1				
S-1- 3	16146-2063	●COVER ASSY (F)	1				
S-1- 4	317221-8348-00	●●METAL, front cover	1				
S-1- 5	92022-2187	●WASHER KIT	1				
S-1- 6	21080-2051	●ARMATURE	1				
S-1- 7	14079-2053	●BRUSH HOLDER ASSY	1				
S-1- 8	319203-8326-00	●●BRUSH (-)	1				
S-1- 9	21040-2051	●●SPRING, brush	3				
S-1-10	319203-8325-00	●BRUSH (+)	2				
S-1-11	16146-2064	●COVER ASSY (R)	1				
S-1-12	317299-8356-01	●●METAL, rear cover	1				
S-1-13	317224-8375A	●COVER, dust	1				
S-1-14	92002-2241	●BOLT	2				
S-1-15	232B 0412	●SCREW (4x12)	2				

Fig.S-2 ELECTRIC STARTER

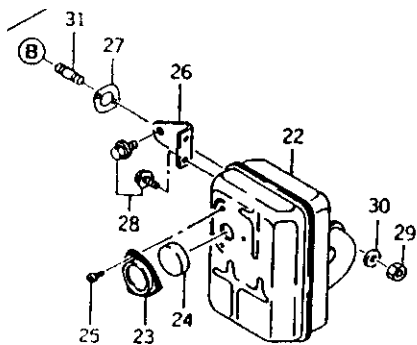


Ref.No.	Part No.	Part Name	Quantity			Remarks
			A	B	C	
	21163-2070	ELECTRIC STARTER ASSY		1	1	
S-2- 1	16146-2076	●COVER ASSY		1	1	
S-2- 2	92022-2218	●WASHER		1	1	
S-2- 3	32085-2066	●STOPPER		2	2	
S-2- 4	92033-2081	●RING, snap		1	1	
S-2- 5	13081-2085	●CLUTCH ASSY		1	1	
S-2- 6	13168-2131	●LEVER		1	1	
S-2- 7	21080-2054	●ARMATURE		1	1	
S-2- 8	13091-2068	●HOLDER, brush		1	1	
S-2- 9	21039-2059	●BRUSH		4	4	
S-2-10	21040-2052	●SPRING, brush		4	4	
S-2-11	16073-2098	●INSULATOR		1	1	
S-2-12	16146-2077	●COVER ASSY		1	1	
S-2-13	92002-2277	●BOLT		2	2	
S-2-14	27010-2122	●SWITCH ASSY		1	1	
S-2-15	92015-2146	●NUT		2	2	
S-2-16	92015-2147	●NUT		1	1	

Fig. A-1 AIR FILTER



Ref.No.	Part No.	Part Name	Quantity					Remarks
			A	B	C			
	11010-2222	AIR FILTER ASSY	1					
	11010-2256	AIR FILTER ASSY		1				
	11010-2291	AIR FILTER ASSY			1			
A-1- 1	11011-2016	•CASE, air filter	1					
	11011-2158	•CASE, air filter		1				
	11011-2174	•CASE, air filter			1			
A-1- 2	11012-2083	•CAP, air filter	1					
	11012-2192	•CAP, air filter		1	1			
A-1- 3	11013-2020	•ELEMENT, air filter	1	1	1			
A-1- 4	11013-2021	•ELEMENT, air filter	1	1	1			



22	49069-2140-9Y	MUFFLER ASSY	1				
23	11012-2165-9Y	•CAP	1				
24	18077-2052	•ARRESTER, spark	2				
25	92009-2166	•SCREW (5x8)	3				
26	11045-2018-9Y	BRACKET	1				
27	11009-2378	GASKET	1				
28	130G0812	BOLT (8x12)	4				
29	317R0800	NUT (8mm)	2				
30	461F0800	WASHER	2				
31	171G0816	STUD	1				