

Kohler Courage 15hp

Spare parts

Ersatzteile

Pièces détachées

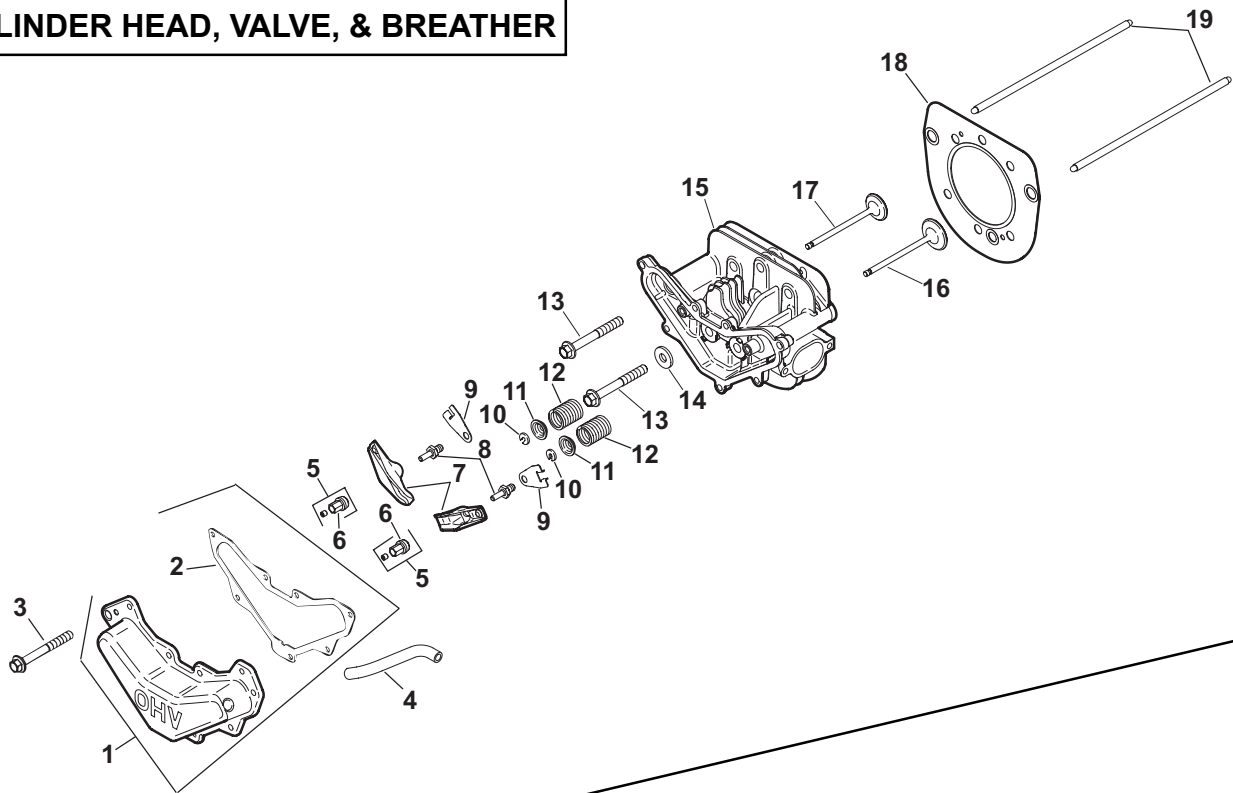
Reserve onderdelen

Repuestos

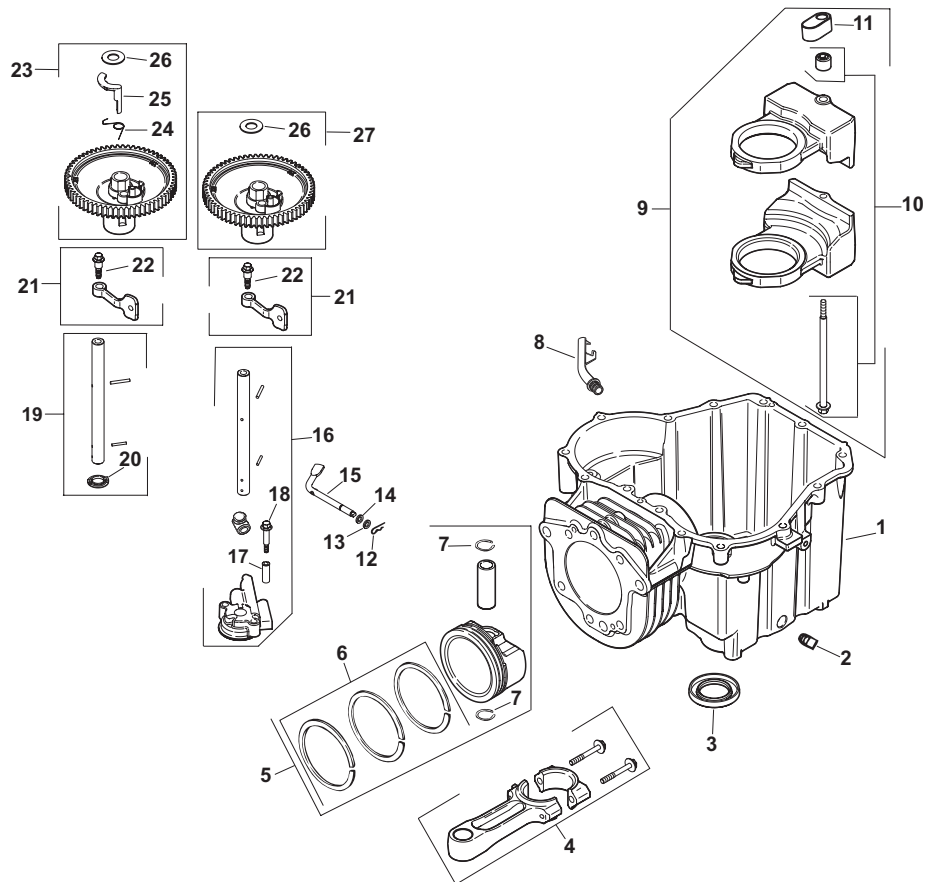
Reservdelar

KOHLER ENGINE - MODEL NO. SV470, TYPE NO. 0105

CYLINDER HEAD, VALVE, & BREATHER



CRANKCASE



KOHLER ENGINE - MODEL NO. SV470, TYPE NO. 0105

HEAD/VALVE/BREATHER - Group 4

1	531 02 98-78	1	Kit, valve cover (Includes 2)	22	531 02 95-34	2	Screw, shoulder M5x0.8x36
2	531 02 95-54	1	Gasket, valve cover	23	531 02 95-35	1	Gear assembly, cam - Exhaust (Includes 24-26)
3	531 02 95-55	7	Screw, hex. flange M6x1.0x20	24	531 02 95-36	1	Spring, ACR
4	531 02 95-56	1	Hose, breather	25	531 02 95-37	1	Weight, ACR
5	531 02 95-57	2	Kit, rocker arm pivot (Includes 6)	26	531 02 95-38	1	Washer, thrust - ACR
6	531 02 95-58	2	Screw, set	27	531 02 95-35	1	Gear assembly, cam - Intake (Includes 26)
7	531 02 95-59	2	Arm, rocker				
8	531 02 95-60	2	Screw, set - rocker pivot				
9	531 02 95-61	2	Plate, push rod guide				
10	531 02 95-62	2	Kit, retainer (Includes 6)				
11	531 02 95-63	2	Cap, valve spring				
12	531 02 95-64	2	Spring, valve				
13	531 02 95-65	6	Screw, hex. flange M10x1.5x37				
15	20 318 01-S	1	Head, cylinder				
14	531 02 95-66	1	Washer, flat 1/2"				
16	531 02 95-68	1	Valve, exhaust				
17	531 02 95-69	1	Valve, intake				
18	531 02 95-70	1	Kit, cylinder head gasket repair (Includes carburetor gasket, air cleaner base gasket, heat deflector gasket, valve cover gasket, flat washer, & cylinder head screw)				
19	531 02 95-71	2	Rod, push				

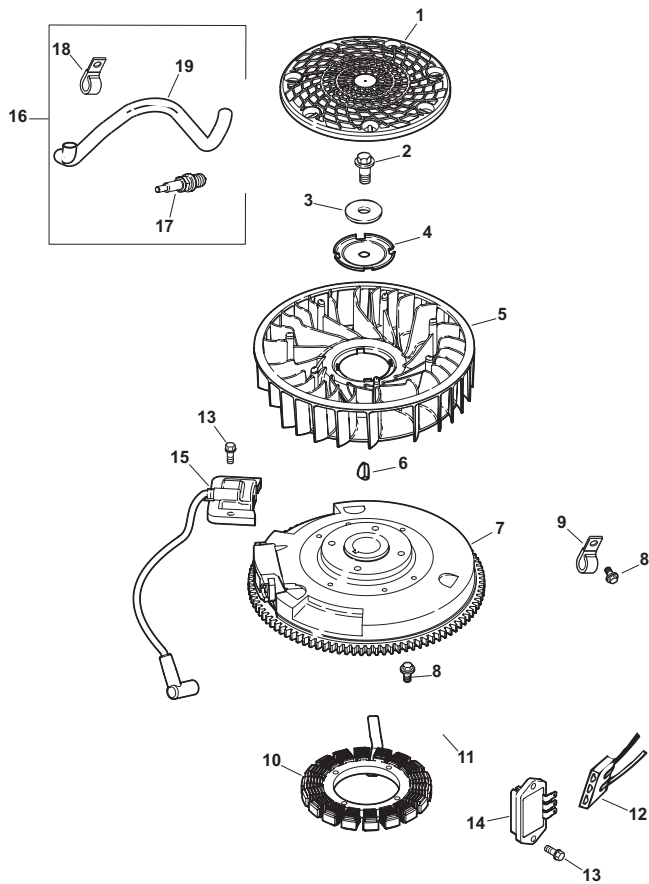
CRANKCASE - Group 2

1		1	Crankcase (USE: Short Block 531 02 95-10)
2	531 02 95-13	1	Plug, sq. hd. pipe 3/8"
3	531 02 95-14	1	Seal, oil
4	531 02 95-16	1	Rod, connecting
5	531 02 95-77	1	Piston w/Ring Set (Includes 6,7)
6	531 02 96-86	1	Ring Set (89 mm)
7	531 02 95-19	2	Retainer, piston pin
8	531 02 98-85	1	Tube, drainback
9	531 02 95-20	1	Kit, balance weight (Includes 10,11)
10	531 02 95-21	1	Kit, screw/guide pin
11	531 02 95-22	1	Shoe, guide
12	531 02 95-23	1	Clip, hitch pin
13	531 02 95-24	1	Washer, flat 6 mm
14	531 02 95-39	1	Washer, flat 1/4"
15	531 02 95-25	1	Shaft, governor cross
16	531 02 98-39	1	Pump assembly, oil (Includes 17-19, 20 041 01-S)
17	531 02 95-27	2	Spacer, oil pump screw
18	531 02 95-28	2	Screw, oil pump
19	531 02 98-77	1	Shaft center, cam - Exhaust (Includes 20)
20	531 02 95-32	1	Washer, thrust
21	531 02 95-33	2	Lever assembly, cam (Includes 22)

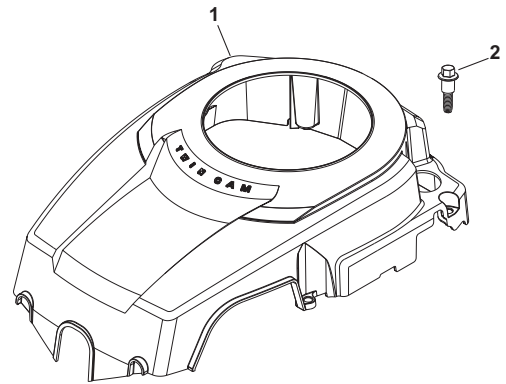
NOTE: All component dimensions given in U.S. inches
1 inch = 25.4 mm

KOHLER ENGINE - MODEL NO. SV470, TYPE NO. 0105

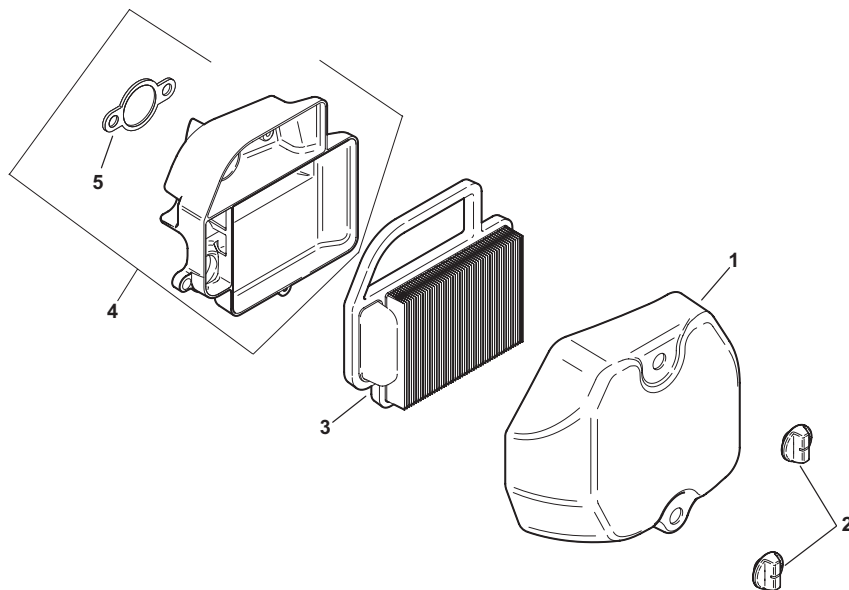
IGNITION/ELECTRICAL



BLOWER HOUSING & BAFFLES



AIR INTAKE



KOHLER ENGINE - MODEL NO. SV470, TYPE NO. 0105

IGNITION/ELECTRICAL - Group 5

1	531 02 95-72	1	Screen, grass
2	531 02 95-73	1	Screw, hex. flange M10x1.5x46
3	531 02 95-74	1	Washer, spring 3/16"
4	531 02 95-75	1	Plate, fan mounting
5	531 02 95-76	1	Fan
6	531 02 95-11	1	Key, woodruff
7	531 02 95-78	1	Flywheel
8	531 02 99-40	1	Clip, cable
9	531 02 98-87	2	Screw, hex. flange M5x0.8x25
11	531 02 99-40	1	Clip, wire
10	531 02 95-82	1	Kit, stator
12	531 02 95-83	1	Connector, body
13	531 02 95-84	2	Screw, hex. flange M5x0.8x20
14	531 02 95-85	1	Rectifier-regulator
15	531 02 95-87	1	Module, ignition
16	531 02 95-79	1	Screw, hex. flange M5x0.8x25
18	531 02 97-73	1	Kit, Courage RFI Suppression (Includes 19-21)
19	531 02 97-76	1	Plug, spark
20	531 02 97-85	1	Clip, cable
21	531 02 97-99	1	Tube, twist

NOT ILLUSTRATED

531 02 98-87	2	Screw, zinc sckt. Hd.
531 02 95-88	1	Harness, wiring

BLOWER HOUSING & BAFFLES - Group 6

1	531 02 95-89	1	Housing, blower
2	531 02 95-34	4	Screw, shoulder M5x0.8x36

NOT ILLUSTRATED

531 02 95-92	1	Decal, 15 HP (SV470)
531 02 98-42	1	Decal, clear lamination

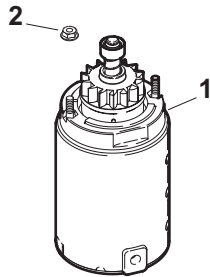
AIR INTAKE/FILTRATION - Group 10

1	531 02 96-27	1	Cover, air cleaner
2	531 02 96-96	2	Knob, cover
3	531 02 95-01	1	Element, air cleaner
4	531 02 96-29	1	Kit, air cleaner base
5	531 02 96-00	1	Gasket, air cleaner base

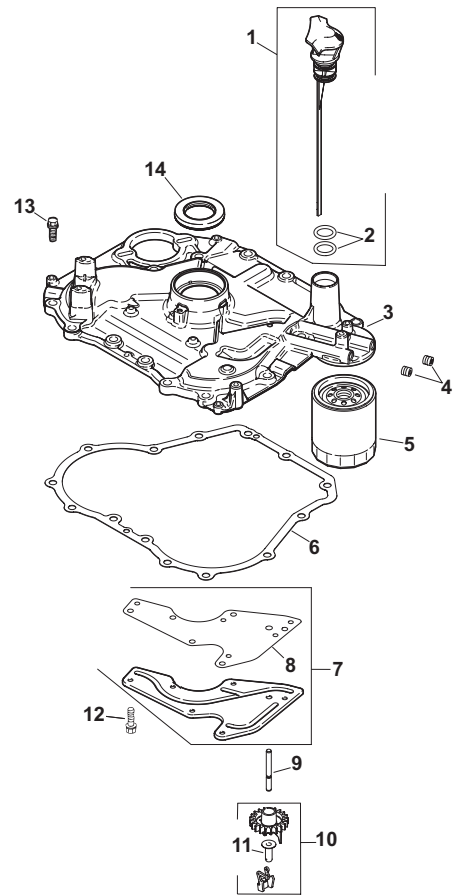
NOTE: All component dimensions given in U.S. inches
1 inch = 25.4 mm

KOHLER ENGINE - MODEL NO. SV470, TYPE NO. 0105

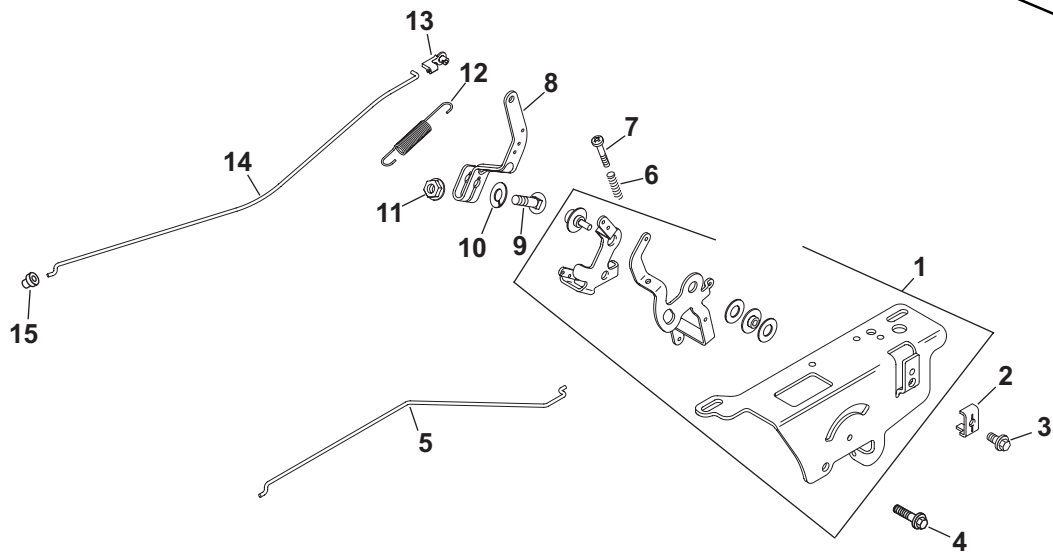
STARTING SYSTEM



OIL PAN/LUBRICATION



ENGINE CONTROLS



KOHLER ENGINE - MODEL NO. SV470, TYPE NO. 0105

STARTING SYSTEM - Group 7

- 1 531 02 95-93 Starter assembly, inertia drive
- 2 531 02 95-94 Nut, hex. serrated flange (2)

OIL PAN/LUBRICATION - Group 3

- 1 531 02 95-40 1 Kit, dipstick assembly
(Includes 2)
- 2 531 02 95-41 2 O-Ring, dipstick
- 3 531 02 95-42 1 Plate assembly, closure
- 4 531 02 95-43 2 Plug, pipe 1/8" hex. ctsk.
- 5 531 02 95-03 1 Filter, oil
- 6 531 02 95-44 1 Gasket, closure plate
- 7 531 02 95-45 1 Kit, oil passage cover
(Includes 8)
- 8 531 02 95-46 1 Gasket, oil passage
- 9 531 02 95-47 1 Shaft, governor gear
- 10 531 02 95-48 1 Kit, gear and weight assembly
(Includes)
- 11 531 02 95-49 1 Pin, governor regulating
- 12 531 02 95-50 6 Screw, hex flange M5x0.8x13
- 13 531 02 95-51 14 Screw, hex. flange
M8x1.25x30
- 14 531 02 95-14 1 Seal, oil

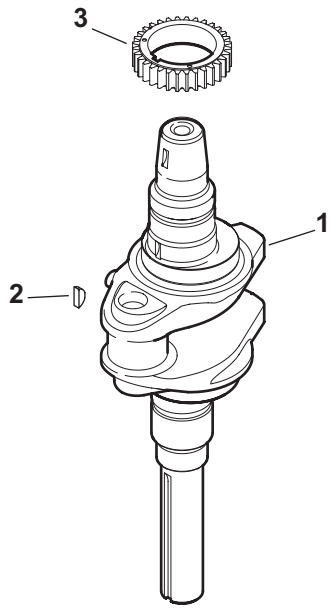
ENGINE CONTROLS - Group 9

- 1 531 02 98-79 1 Control assembly, speed
- 2 531 02 98-94 1 Screw, thread forming
- 3 531 02 98-95 1 Spring, speed control
- 4 531 02 96-13 1 Clamp, cable
- 5 531 02 96-14 1 Screw, torx hd. ctsk.
M5x0.8x16
- 6 531 02 96-15 2 Screw, lobed sckt. M6x1.0x20
- 7 531 02 96-17 2 Spring, speed control
- 8 531 02 96-18 1 Screw, thread forming
M4x0.7x25
- 9 531 02 96-23 1 Spring, governor
- 10 531 02 96-19 1 Lever, governor
- 11 531 02 96-20 1 Bolt, round head 1/4-20x1"
- 12 531 02 96-06 1 Washer, lock 1/4"
- 13 531 02 96-22 1 Nut, hex. flange 1/4-20"
- 14 531 02 96-24 1 Bushing, throttle linkage
- 15 531 02 96-25 1 Linkage, throttle
- 16 531 02 96-26 1 Bushing, linkage retaining
- 17 531 02 98-96 1 Spring, linkage
- 18 531 02 96-16 1 Linkage, choke – single wire

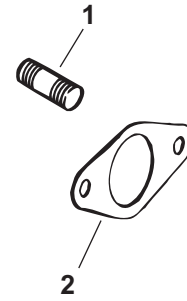
NOTE: All component dimensions given in U.S. inches
1 inch = 25.4 mm

KOHLER ENGINE - MODEL NO. SV470, TYPE NO. 0105

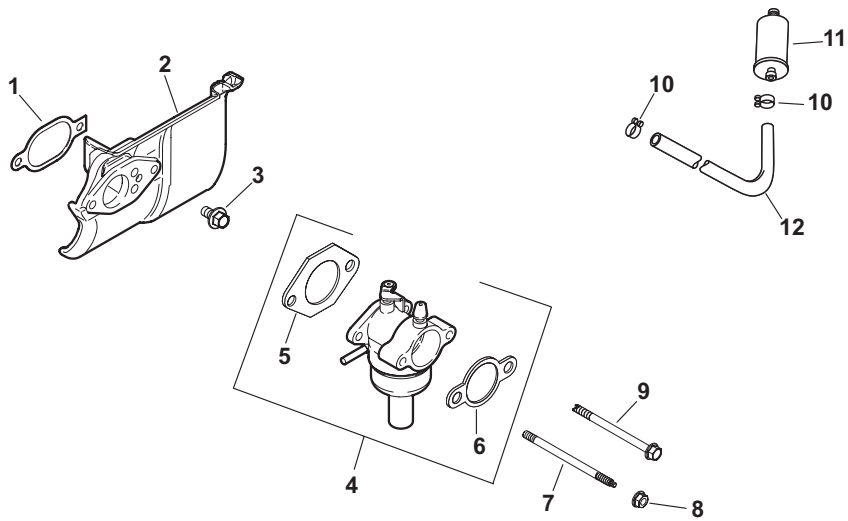
CRANKSHAFT



EXHAUST



FUEL SYSTEM



KOHLER ENGINE - MODEL NO. SV470, TYPE NO. 0105

CRANKSHAFT - Group 1

1	531 02 95-52	1	Crankshaft
2	531 02 95-11	1	Key 3/16"
3	531 02 95-12	1	Gear, crankshaft

EXHAUST - Group 11

1	531 02 96-31	2	Stud, exhaust
2	531 02 96-32	1	Gasket, exhaust

NOT ILLUSTRATED

531 02 95-10	1	Short Block
--------------	---	-------------

FUEL SYSTEM - Group 8

1	531 02 95-95	1	Gasket, heat deflector
2	531 02 95-96	1	Deflector, heat
3	531 02 95-97	1	Screw, hex. flange M6x1.0x20
4	531 02 99-41	1	Carburetor w/gaskets (Includes 5,6)
5	531 02 95-99	1	Gasket, carburetor
6	531 02 96-00	1	Gasket, air cleaner
7	531 02 96-01	1	Stud, carburetor mounting
8	531 02 96-02	1	Nut, hex. flange M6x1.0
9	531 02 96-03	1	Screw, carb S60x1.42x85
10	531 02 96-04	2	Clamp, hose
11	531 02 95-02	1	Filter, fuel
12	531 02 98-57	1	Line, fuel 7"

NOT ILLUSTRATED

531 02 96-06	1	Washer, lock 1/4" (ground)
531 02 96-07	1	Kit, float
531 02 96-08	1	Kit, carburetor repair
531 02 96-09	1	Kit, solenoid repair
531 02 96-10	1	Kit, bowl replacement w/gaskets
531 02 96-11	1	Tie, wire

NOTE: All component dimensions given in U.S. inches
1 inch = 25.4 mm