

Kohler 18 hp

Spare parts

Ersatzteile

Pièces détachées

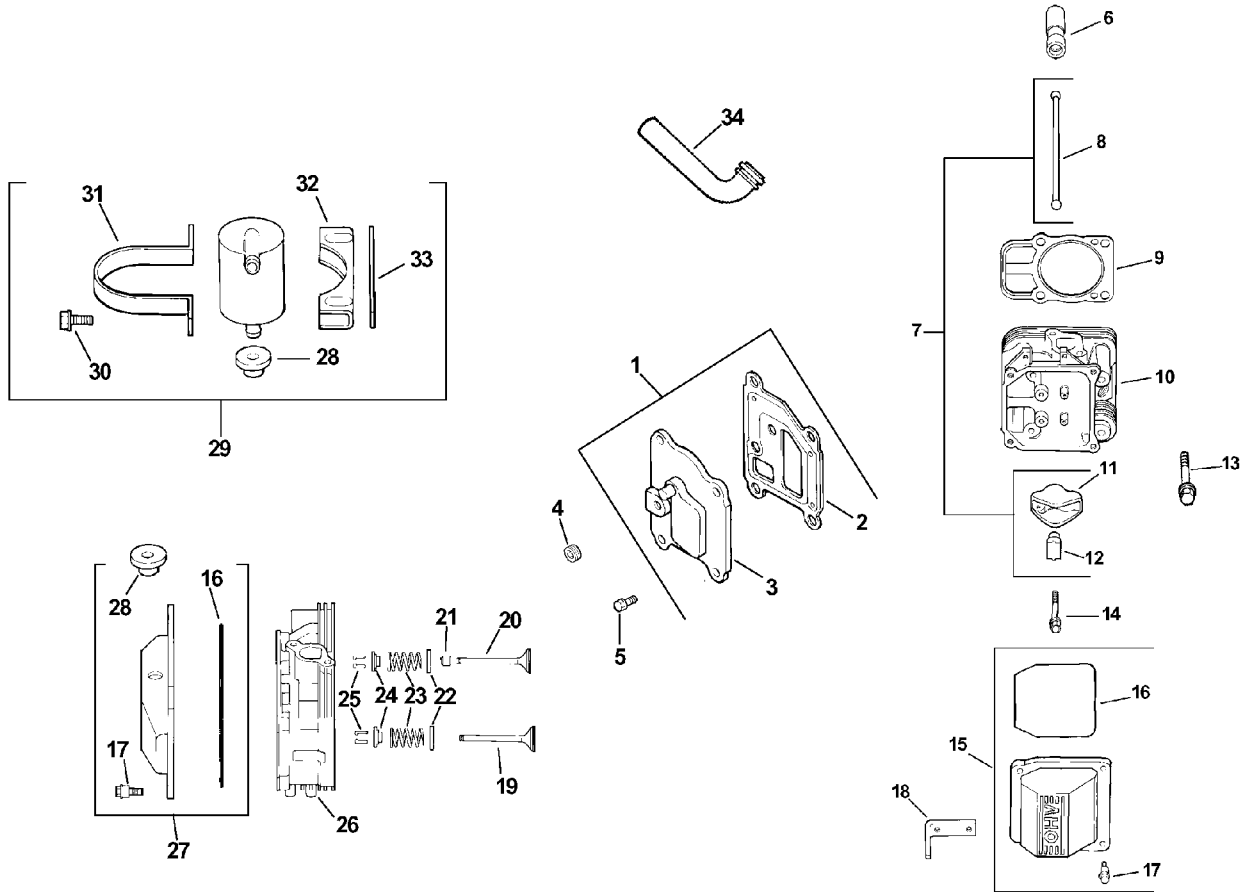
Reserve onderdelen

Repuestos

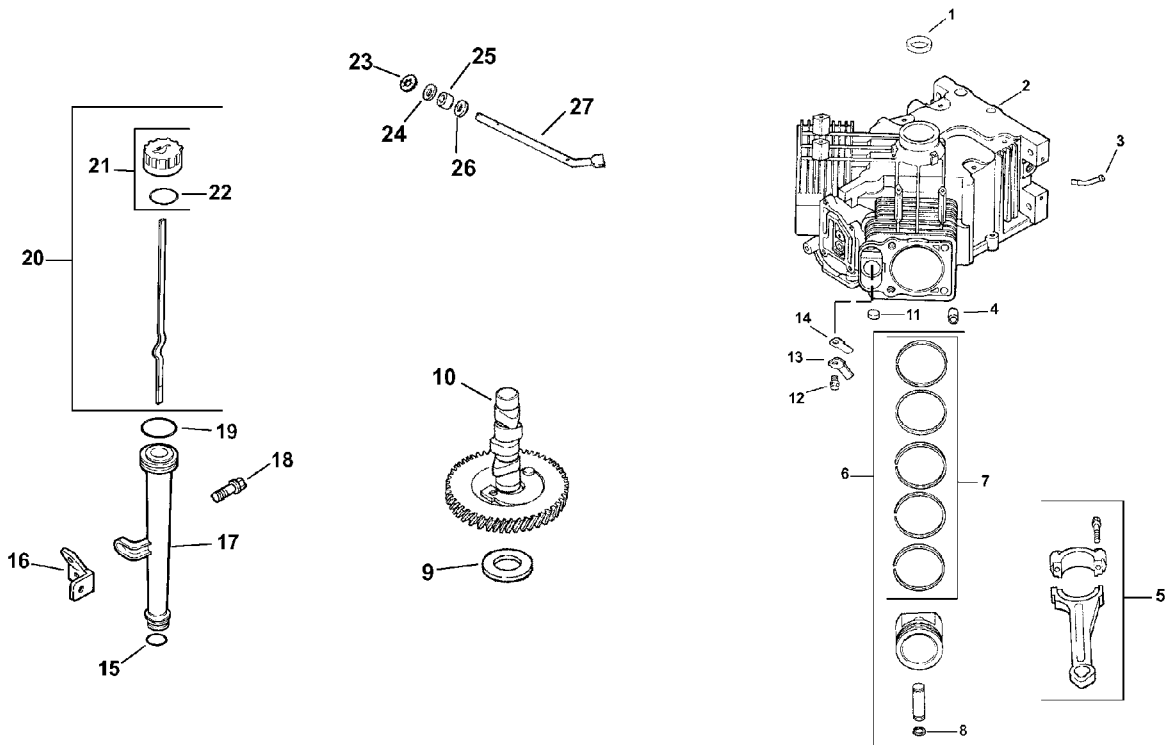
Reservdelar

KOHLER ENGINE - MODEL NO. CV, TYPE NO.61574

CYLINDER HEAD, VALVE AND BREATHER



CRANKCASE



KOHLER ENGINE - MODEL NO. CV, TYPE NO.61574

HEAD/VALVE/BREATHER

KEY NO.	PART NO.	DESCRIPTION
1	531 02 96-91	Kit, breather cover w/gasket (Includes 2,3)
2	531 02 96-92	Gasket, breather
3	531 02 96-93	Cover, breather
4	531 02 95-43	Plug, alien hd. 1/8"
5	531 02 95-55	Screw, hex. flange M6x1.0x20 (4)
6	531 02 96-96	Lifter, valve (4)
7	531 02 96-97	Kit, valve train (Includes 8,11,12)
8	531 02 96-98	Rod,push(4)
9	531 02 96-99	Gasket, cylinder head (2)
10	531 02 97-00	Head assembly, #2 cylinder
11	531 02 97-01	Arm, rocker (4)
12	531 02 97-02	Pivot, rocker arm (4)
13	531 02 97-03	Screw, hex. flange M10x1.5x90 (8)
14	531 02 97-04	Screw, hex. flange M6x1 -0x34 (4)
15	531 02 97-05	Kit, valve cover - plain (Includes 16, 17)
16	531 02 97-06	O-Ring
17	531 02 97-07	Screw, shoulder M6x1.0x30 (4)
18	531 02 97-08	Strap, lifting
19	531 02 97-09	Valve, exhaust (Std.) (2)
	531 02 97-10	Valve, exhaust (.25) (2)
20	531 02 97-11	Valve, intake (Std.) (2)
	531 02 97-12	Valve, intake (.25) (2)
21	531 02 97-13	Seal, valve stem (2)
22	531 02 97-14	Retainer, spring (4)
23	531 02 97-15	Spring, valve (4)
24	531 02 97-16	Cap, valve spring (4)
25	531 02 97-17	Kit, retainer (4)
26	531 02 97-18	Head assembly, #1 cylinder
27	531 02 97-19	Kit, valve cover - breather (Includes 16, 17, 28)
28	531 02 97-20	Grommet, rubber
29	531 02 97-21	Kit, breather separator (includes 28,30-33)
30	531 02 96-61	Screw, hex. flange M5xO.8x16 (2)
31	531 02 97-23	Strap, breather
32	531 02 97-24	Bracket, breather separator
33	531 02 97-22	Spacer
34	531 02 97-26	Hose, breather

Correction:

Key No

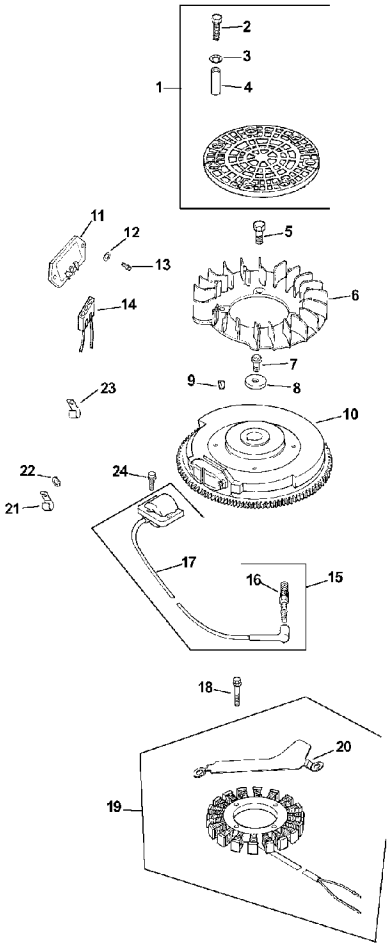
2	531 02 98-74
15	531 02 98-75
27	531 02 98-76

CRANKCASE

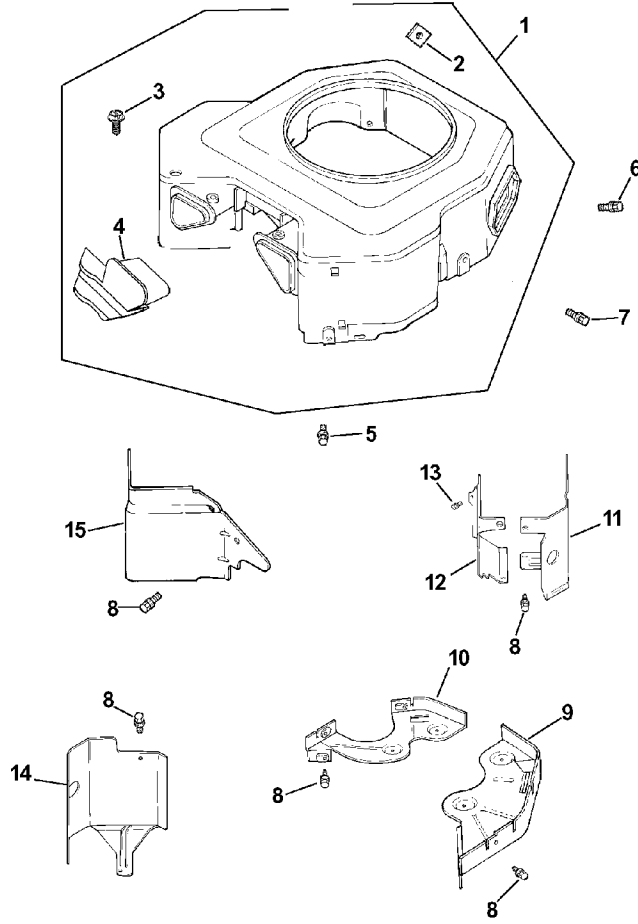
KEY NO.	PART NO.	DESCRIPTION
1	531 02 97-79	Seal, front oil
2	---	Crankcase(USE: Miniblock 531 02 98-36) Correction: 531 02 98-46
3	531 02 96-30	Fitting
4	531 02 96-35	Pin, locating (6)
5	531 02 96-36	Connecting Rod (Std.) (2)
--	531 02 96-37	Connecting Rod (.25) (2)
6	531 02 96-38	Piston w/Ring Set (Std.) (2) (includes 7,8)
	531 0296-39	Piston w/Ring set (.08)
	531 0296-40	Piston w/Ring Set (.25) (2)
	531 0296-41	Piston w/Ring Set (.50) (2)
	531 02 96-42	Ring Set (Std. &.08) (2)
	531 02 96-43	Ring Set (.25) (2)
	531 02 96-44	Ring Set (.50) (2)
8	531 02 96-45	Retainer, piston pin (4)
9	531 02 96-46	Shim, camshaft (A.R.)
	531 02 96-47	Shim, camshaft (A.R.)
	531 02 96-48	Shim, camshaft (A.R.)
	531 02 96-49	Shim, camshaft (A.R.)
	531 02 96-50	Shim, camshaft
	531 02 96-51	Shim, camshaft (A.R.)
	531 02 96-52	Shim, camshaft (A.R.)
10	531 02 96-53	Camshaft
11	531 02 96-54	Plug, cup
12	531 02 96-55	Screw, hex. flange M5x0.8x10 (2)
13	531 02 96-56	Retainer, reed (2)
14	531 02 96-57	Reed, breather (2)
15	531 02 96-58	O-Ring, lower oil fill tube
16	531 02 96-59	Bracket, oil fill tube
17	531 02 96-60	Tube, oil fill
18	531 02 96-61	Screw, hex. flange M5xO.8x16
19	531 02 96-62	O-Ring, upper oil fill tube
20	531 02 96-63	Dipstick assembly (Includes 21, 22)
21	531 02 96-64	Kit, oil fill cap (includes 22)
22	531 02 96-65	O-Ring, dipstick
23	531 02 96-66	Retainer, ring
24	531 02 96-67	Washer, nylon (top)
25	531 02 96-68	Seal, governor cross shaft
26	531 02 96-69	Washer (bottom)
27	531 02 96-70	Shaft, governor cross

KOHLER ENGINE - MODEL NO. CV, TYPE NO.61574

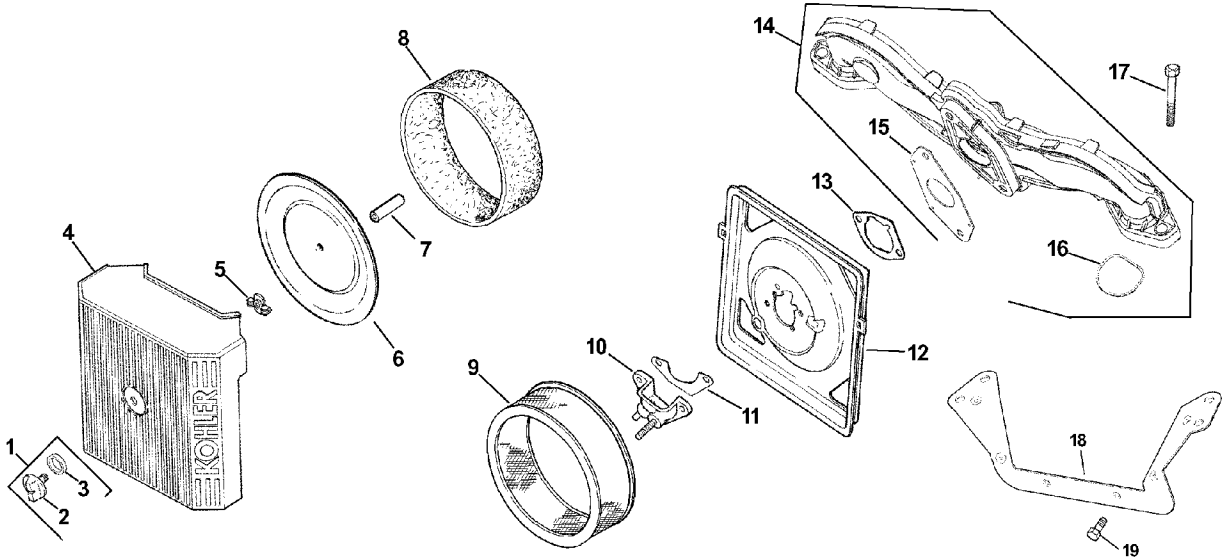
IGNITION/ELECTRICAL



BLOWER HOUSING AND Baffles



AIR INTAKE



KOHLER ENGINE - MODEL NO. CV, TYPE NO.61574

IGNITION/ELECTRICAL

KEY NO.	PART NO.	DESCRIPTION
1	531 02 97-27	Kit, grass screen (includes 2-4, and 531 02 97-53)
2	531 02 97-28	Screw, hex. cap M4xO.7x25 (4)
3	531 02 97-29	Washer, plain 5/16" (4)
4	531 02 97-30	Spacer, grass screen (4)
5	531 02 97-31	Bolt, shoulder M6x1.Ox16 (4)
6	531 02 97-32	Fan
7	531 02 95-73	Screw, hex. flange M10x1.5x46
8	531 02 95-74	Washer, plain 3/8"
9	531 02 95-11	Key Correction:
10	531 02 97-36	Flywheel 531 02 98-69
11	531 02 95-85	Rectifier-regulator
12	531 02 97-29	Washer, plain 3/16" (2)
13	531 02 97-39	Screw, phillips hd. 11-16x7/8 (2)
14	531 02 95-83	Connector (3 contact)
15	531 02 97-60	Kit, ignition module (includes 16,17)
16	531 02 97-42	Spark Plug (2)
17	531 02 97-43	Module, ignition (2)
18	531 02 95-81	Screw, hex. cap M5xO.8x25 (2)
19	531 02 97-45	Kit, 15 amp stator (includes 20)
20	531 02 97-46	Bracket, stator wire
21	531 02 97-47	Clip, cable
22	531 02 97-48	Washer, plain 1/4"
23	531 02 97-49	Clip, cable
24	531 02 95-84	Screw, hex. flange M5xO.8x2O (4)
NOT ILLUSTRATED		
--	531 02 97-51	Harness, wiring
--	531 02 97-52	Lead, black (5" - 12 gauge insulated grip barrel eyelets)
--	531 02 97-53	Decal, grass screen
--	531 02 97-54	Tie, wire (2)

BLOWER HOUSING & BAFFLES

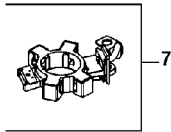
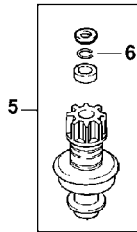
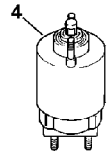
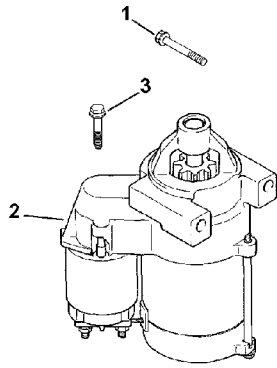
KEY NO.	PART NO.	DESCRIPTION
1	531 02 97-55	Housing, blower (includes 2-4)
2	531 02 96-94	Nut plastic (2)
3	531 02 98-52	Screw, tapping (2)
4	531 02 96-89	Cover, blower housing
5	531 02 97-59	Screw, hex. flange M5xO.8x16
6	531 02 95-84	Screw, hex. flange M5xO.8x2O (4)
7	531 02 96-61	Screw, hex. flange M5xO.8x16 (3)
8	531 02 97-62	Screw, hex. flange M6x1.Ox16 (6)
9	531 02 97-63	Plate, backing - # 2 side
10	531 02 97-64	Plate, backing - # 1 side
11	531 02 97-65	Baffle, cylinder barrel - # 2 side
12	531 02 97-66	Baffle, valley - #1 side
13	531 02 96-55	Screw, hex. flange M5xO.8x1O (2)
14	531 02 97-68	Baffle, cylinder barrel - # 1 side
15	531 02 97-69	Baffle, valley - #2 side
NOT ILLUSTRATED		
--	531 02 97-70	Decal, 18 HP

AIR INTAKE/FILTRATION

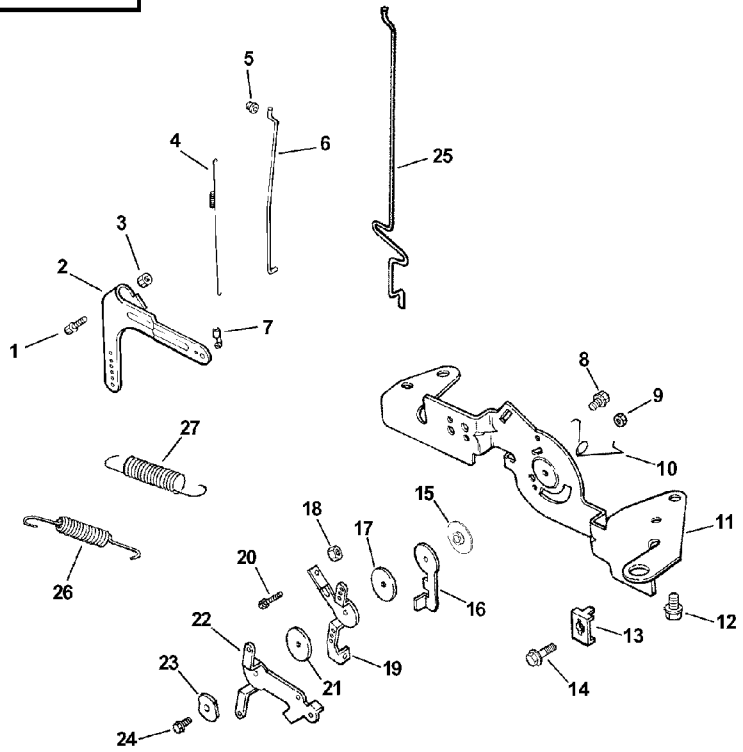
KEY NO.	PART NO.	DESCRIPTION
1	531 02 98-24	Kit, knob with seal (includes 2,3)
2	531 02 96-28	Knob,cover
3	531 02 98-26	O-Ring
4	531 02 98-27	Cover, air cleaner
5	531 02 98-28	Wing Nut
6	531 02 98-29	Cover, inner air cleaner
7	531 02 98-30	Seal, inner air cleaner
8	531 02 95-06	Precleaner, element
9	531 02 95-05	Element, air cleaner
10	531 02 98-35	Cup, fuel spit-back
11	531 02 98-33	Gasket, fuel spit-back cup
12	531 02 98-34	Base, air cleaner
13	531 02 97-80	Gasket, air cleaner base
14	531 02 98-37	Manifold, intake - plastic (Includes 15,16)
15	531 02 95-90	Gasket, carburetor
15	531 02 98-38	Gasket, carburetor
16	531 02 97-40	O-Ring, intake port
17	531 02 98-41	Screw, hex. flange M6x1.0x40 (4)
18	531 02 97-37	Bracket, air cleaner
19	531 02 96-55	Screw, hex. flange M5x0.8x10 (2)

KOHLER ENGINE - MODEL NO. CV, TYPE NO.61574

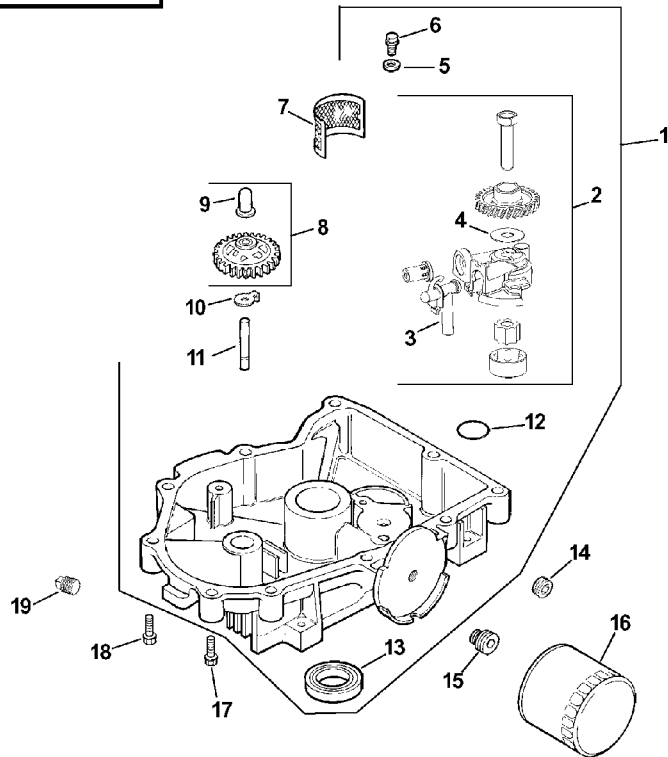
STARTING SYSTEM



ENGINE CONTROLS



OIL PAN / LUBRICATION



KOHLER ENGINE - MODEL NO. CV, TYPE NO.61574

STARTING SYSTEM

KEY NO.	PART NO.	DESCRIPTION
1	531 02 97-71	Screw, hex. flange M8x1.25x8O (2)
2	531 02 97-72	Starter, solenoid shift assembly (includes 3-7)
3	531 02 98-51	Screw, external torx hd. (3)
4	531 02 97-74	Kit, solenoid (Includes 3)
5	531 02 97-75	Kit, pinion drive (includes 6)
6	531 02 98-54	Ring
7	531 02 97-77	Kit, brush

ENGINE CONTROLS

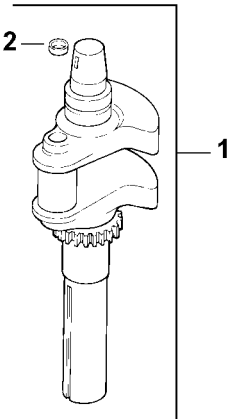
KEY NO.	PART NO.	DESCRIPTION
1	531 02 97-97	Bolt, rd. hd. sq. neck M6x1.Ox25
2	531 02 97-98	Lever, governor
3	531 02 96-02	Nut, hex. flange M6x1.0
4	531 02 98-00	Spring, linkage
5	531 02 96-26	Bushing, linkage retaining
6	531 02 98-02	Linkage, throttle
7	531 02 96-24	Bushing, throttle linkage
8	531 02 96-61	Screw, hex. flange M5xO.8x16
9	531 02 98-05	Nut, hex. lock M5xO.8
10	531 02 98-06	Spring, choke return
11	531 02 98-07	Bracket, control
12	531 02 97-62	Screw, hex. flange M6x1.Ox16 (4)
13	531 02 96-13	Clamp, cable (2)
14	531 02 96-14	Screw, thread forming (2)
15	531 02 98-11	Spacer, control assembly
16	531 02 98-12	Lever, throttle actuator
17	531 02 98-13	Washer, plain
18	531 02 98-14	Nut, hex. M4xO.7
19	531 02 98-15	Lever, throttle control
20	531 02 98-16	Washer, plain 5.5 mm
21	531 02 95-84	Screw, hex. flange M5xO.8x2O
22	531 02 98-18	Lever, choke
23	531 02 98-19	Washer, spring 1/4"
24	531 02 97-28	Screw, hex. cap M4xO.7x25
25	531 02 98-21	Linkage, choke
26	531 02 98-22	Spring, throttle limiter
27	531 02 98-23	Spring, governor

OIL PAN/LUBRICATION

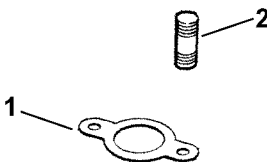
KEY NO.	PART NO.	DESCRIPTION
1	531 02 96-71	Pan assembly, oil (Includes 2-13)
2	531 02 96-72	Oil pump assembly (Includes 3,4)
3	531 02 96-73	Tube, oil pickup
4	531 02 96-74	O-Ring, oil pump
5	531 02 96-75	Washer, plain 6 mm (2)
6	531 02 96-76	Screw, hex. flange M6x1.Ox25 (2)
7	531 02 96-77	Screen, oil
8	531 02 96-78	Kit, governor gear w/pin (Includes 9)
9	531 02 95-49	Pin, governor regulating
10	531 02 96-80	Tab, locking
11	531 02 96-81	Shaft, governor gear
12	531 02 96-82	O-Ring
13	531 02 96-83	Seal, oil (PTO end)
14	531 02 96-84	Plug, hex. ctsk. 3/8"
15	531 02 96-85	Nipple, oil filter
16	531 02 95-03	Filter, oil
17	531 02 96-87	Screw, hex. flange M8x1.25x45
18	531 02 96-88	Screw, hex. flange M8x1.25x45 (9)
		NOT ILLUSTRATED
--	531 02 97-33	Decal, oil cooler

KOHLER ENGINE - MODEL NO. CV, TYPE NO.61574

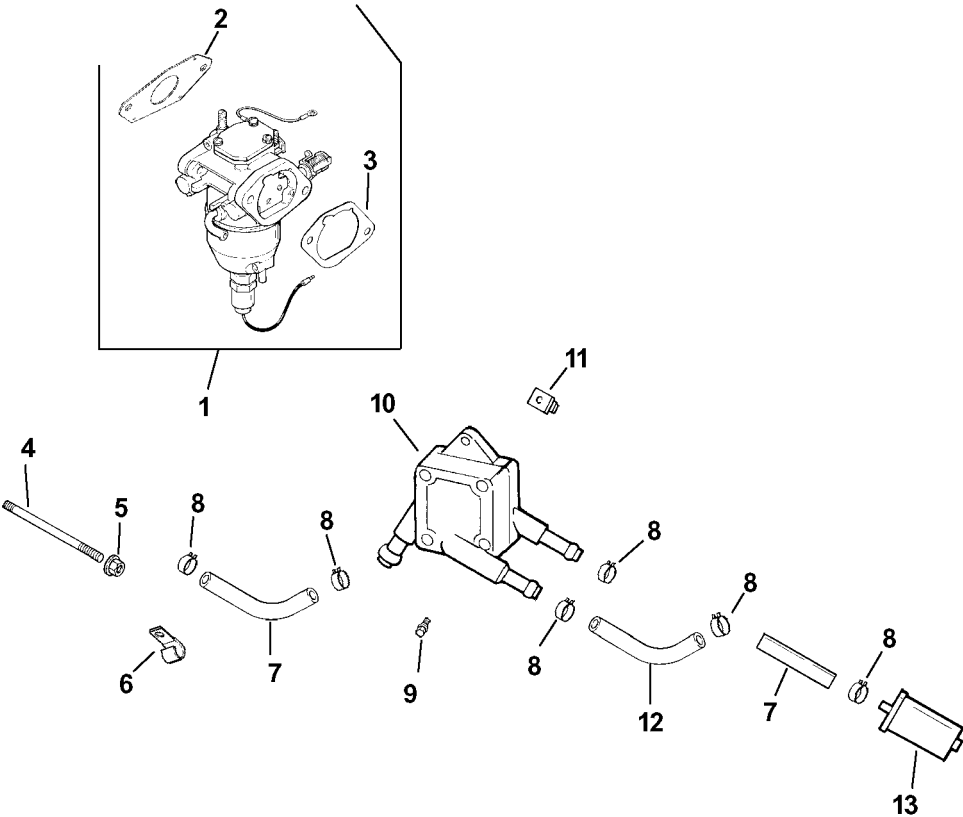
CRANKSHAFT



EXHAUST



FUEL SYSTEM



KOHLER ENGINE - MODEL NO. CV, TYPE NO.61574

CRANKSHAFT

KEY NO.	PART NO.	DESCRIPTION
1	531 02 97-61	Crankshaft (includes 2)
2	531 02 96-54	Plug, cup

EXHAUST

KEY NO.	PART NO.	DESCRIPTION
1	531 02 98-43	Gasket, exhaust (2)
2	531 02 96-31	Stud, M8x1.25x33 (4)
	PA-61574	Replacement Engine
	531 02 98-45	Short Block
	531 02 98-46	Miniblock
	531 02 98-47	Gasket Set

FUEL SYSTEM

KEY NO.	PART NO.	DESCRIPTION
1	531 02 97-78	Kit, carburetor w/gaskets (Includes 2,3)
2	531 02 95-90	Gasket, carburetor
3	531 02 97-80	Gasket, air cleaner base
4	531 02 97-81	Stud, M6x1.0x95 (2)
5	531 02 96-02	Nut, hex. flange M6x1.0 (2)
6	531 02 97-83	Clip, cable
7	531 02 97-84	Line, fuel 10-5/8" (2)
8	531 02 96-04	Clamp, hose (6)
9	531 02 96-79	Screw, hex. cap M6x1.7x18 (2)
9	531 02 97-86	Screw, hex. cap M6x1.7x18 (2)
10	531 02 97-87	Pump, fuel - pulse
11	531 02 96-94	Nut, plastic (2)
11	531 02 97-56	Nut, plastic (2)
12	531 02 97-89	Line, fuel 11-1/2"
13	531 02 95-07	Filter, fuel

NOT ILLUSTRATED

--	531 02 97-91	Bracket, throttle stop
--	531 02 97-92	Screw, thread forming
--	531 02 97-93	Kit, overhaul w/gaskets
--	531 02 97-94	Kit, choke repair
--	531 02 97-95	Kit, gasket
--	531 02 97-96	Kit, solenoid