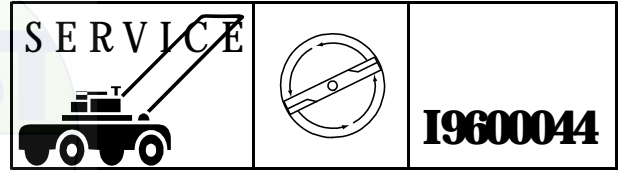


Jonsered



SICHER IST DAS:

IPL, LR12, LR12 C 36", 1996-01

LR12 36"

LR12 C 36"

Spare parts

Ersatzteile

Pièces détachées

Reserve onderdelen

Repuestos

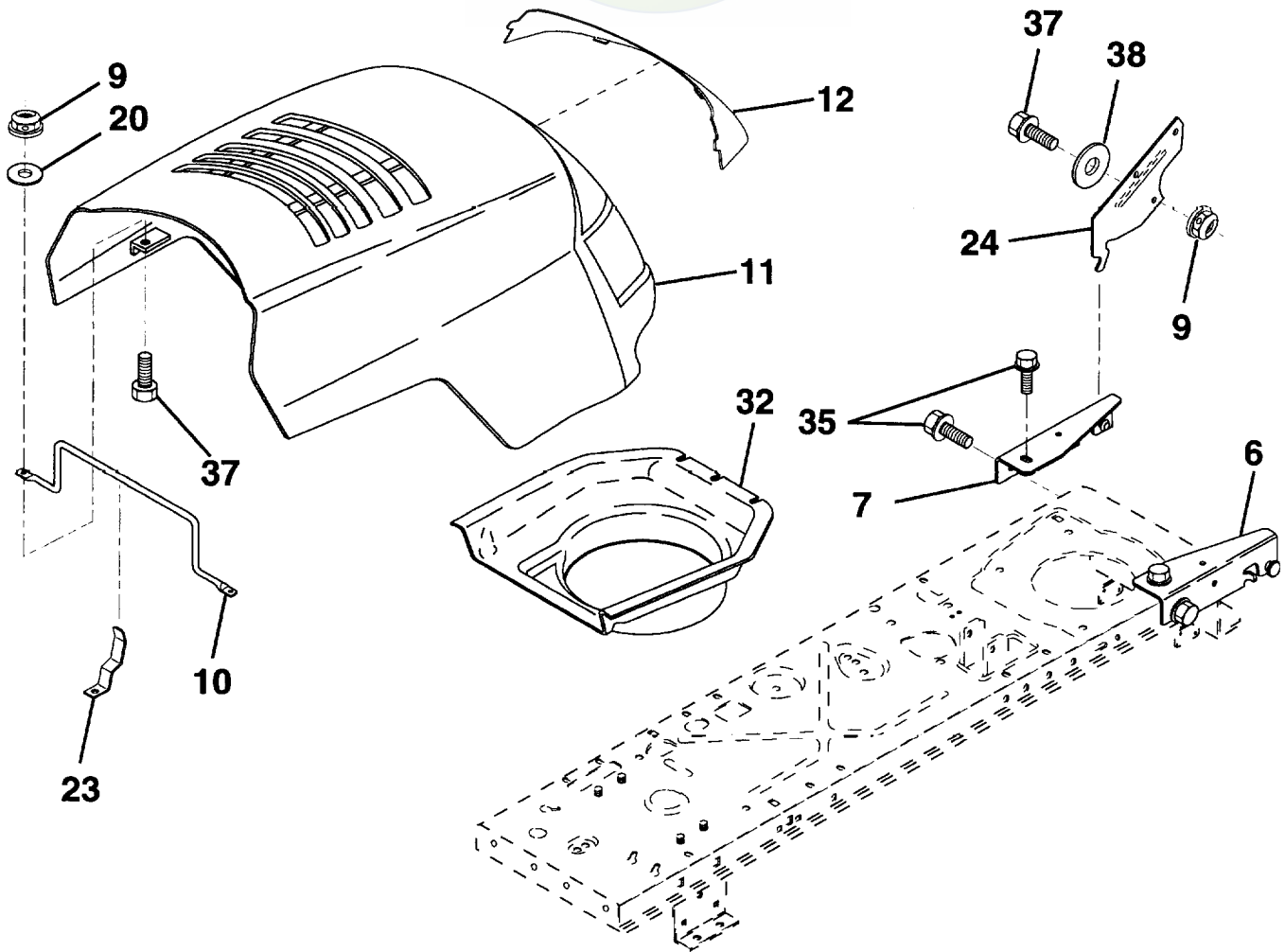
Reservdelar

Product No:

LR12: 954 00 34-11

LR12C: 954 82 01-81

A. REPAIR PARTS HOOD

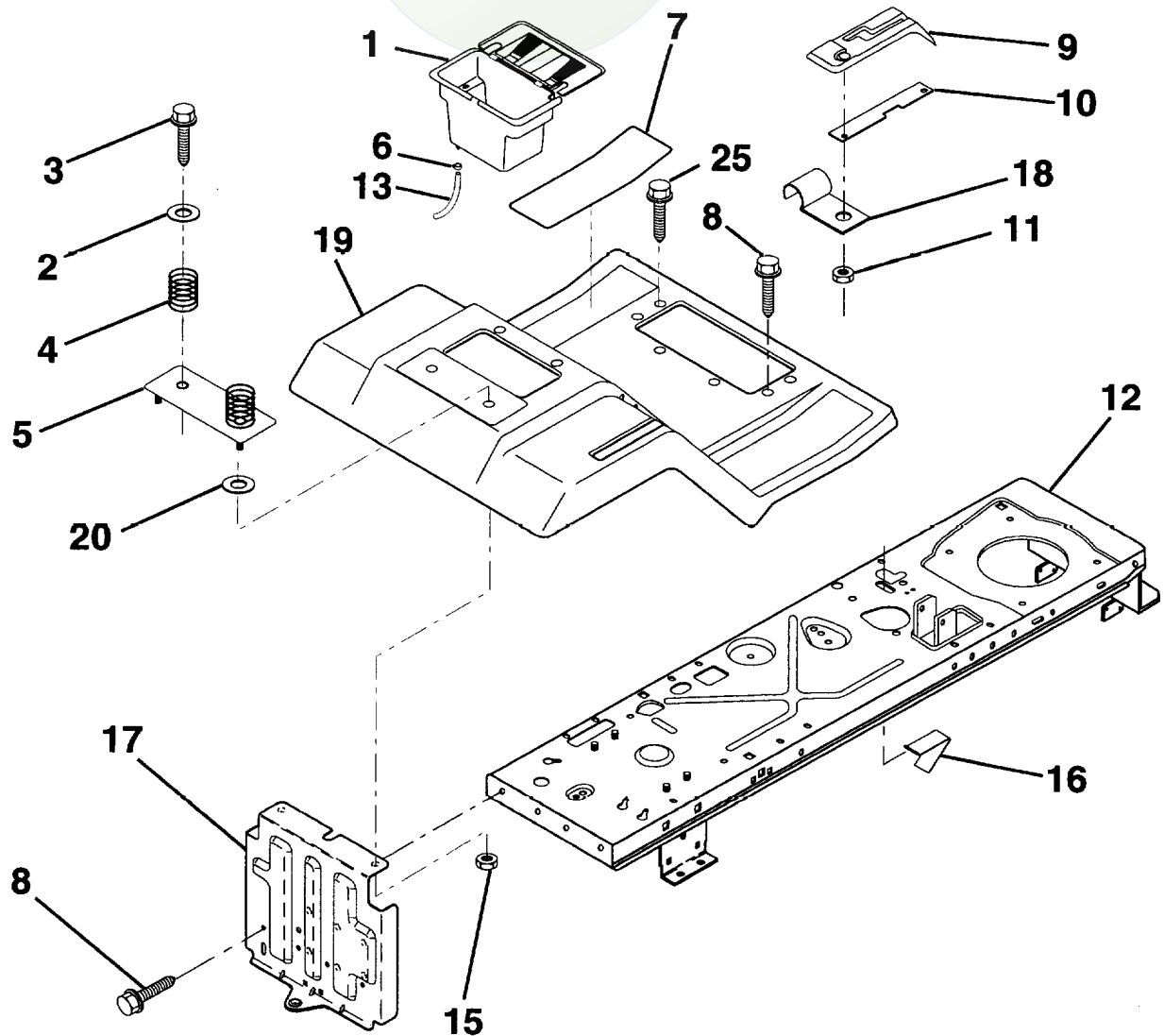


KEY NO.	PART NO.	DESCRIPTION	KEY NO.	PART NO.	DESCRIPTION
6	532 14 00-51	Bracket Asm. Pivot Hood RH	23	532 13 99-69	Latch Hood
7	532 14 00-50	Bracket Asm. Pivot Hood LH	24	532 13 91-58	Bracket Pivot Hood
9	873 68 04-00	Locknut W/Insert 1/4-20	32	532 13 96-24	Duct Air Hood
10	532 14 13-21	Rod Support	35	874 78 05-12	Screw Thdrol 5/16-28 x 3/4
11	532 14 15-09	Hood	37	874 76 04-12	Bolt Fin Hex 1/4-20 x 3/4
12	532 13 92-98	Lens Bar	38	819 09 20-16	Washer
20	734 11 53-01	Washer, Flat 1/4			

HARDWARE SHOWN LARGER FOR EASIER IDENTIFICATION

B. REPAIR PARTS

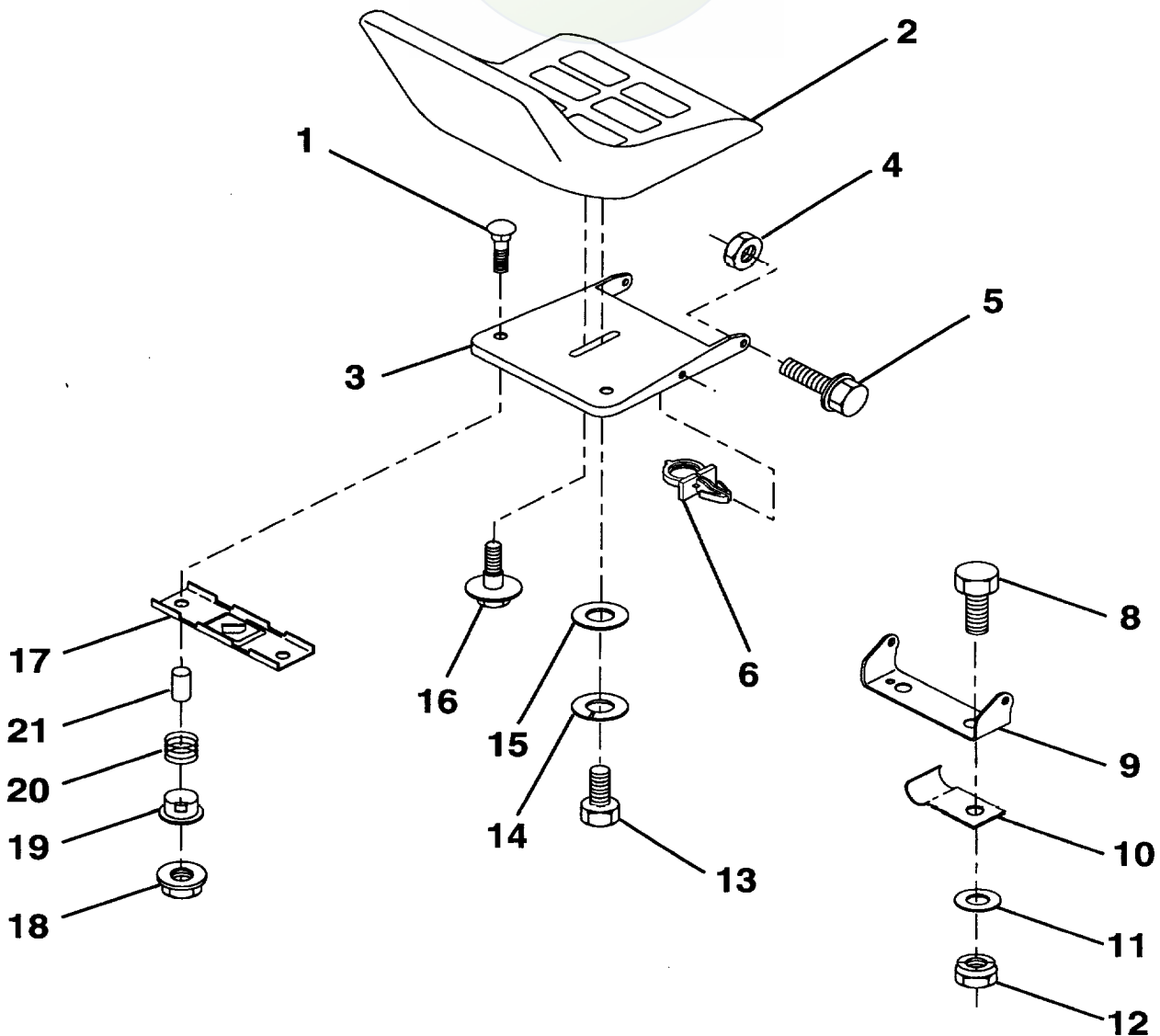
FENDER / CHASSIS



KEY NO.	PART NO.	DESCRIPTION	KEY NO.	PART NO.	DESCRIPTION
1	532 14 49-40	Case, Battery	11	532 12 43-46	Nut, Self-Threading Wsher Hd 3/16
2	734 11 74-41	Washer 13/32 x 1-1/4 x 12 Ga.	12	532 14 51-90	Assembly, Frame
3	874 78 06-12	Screw, Hex Wsh. Thrdrol 3/8-16 x 3/4	13	532 10 92-38	Tube, Battery Drain
4	532 12 41-81	Spring, Compression, Seat	15	873 68 04-00	Nut, Keps 1/4-20 UNC
5	532 12 54-31	Plate, Asm. Battery	16	532 14 17-36	Switch Actuator
6	532 10 95-96	Clamp, Hose	17	532 14 07-82	Drawbar
7	532 12 41-44	Pad, Footrest	18	532 12 64-70	Clip, Insulated
8	874 78 05-12	Screw, Thdrol 5/16-18 x 3/4	19	532 14 16-50	Fender/Footerest
9	532 12 69-97	Console, Shift Control	20	819 09 14-16	Washer 9/32 x 7/8 x 13 Ga.
10	532 13 97-83	Bar, Shift Lock	25	817 49 05-16	Scr-Hx Wsh Thd Rol 5/16-18 x 1

HARDWARE SHOWN LARGER FOR EASIER IDENTIFICATION

C. REPAIR PARTS SEAT



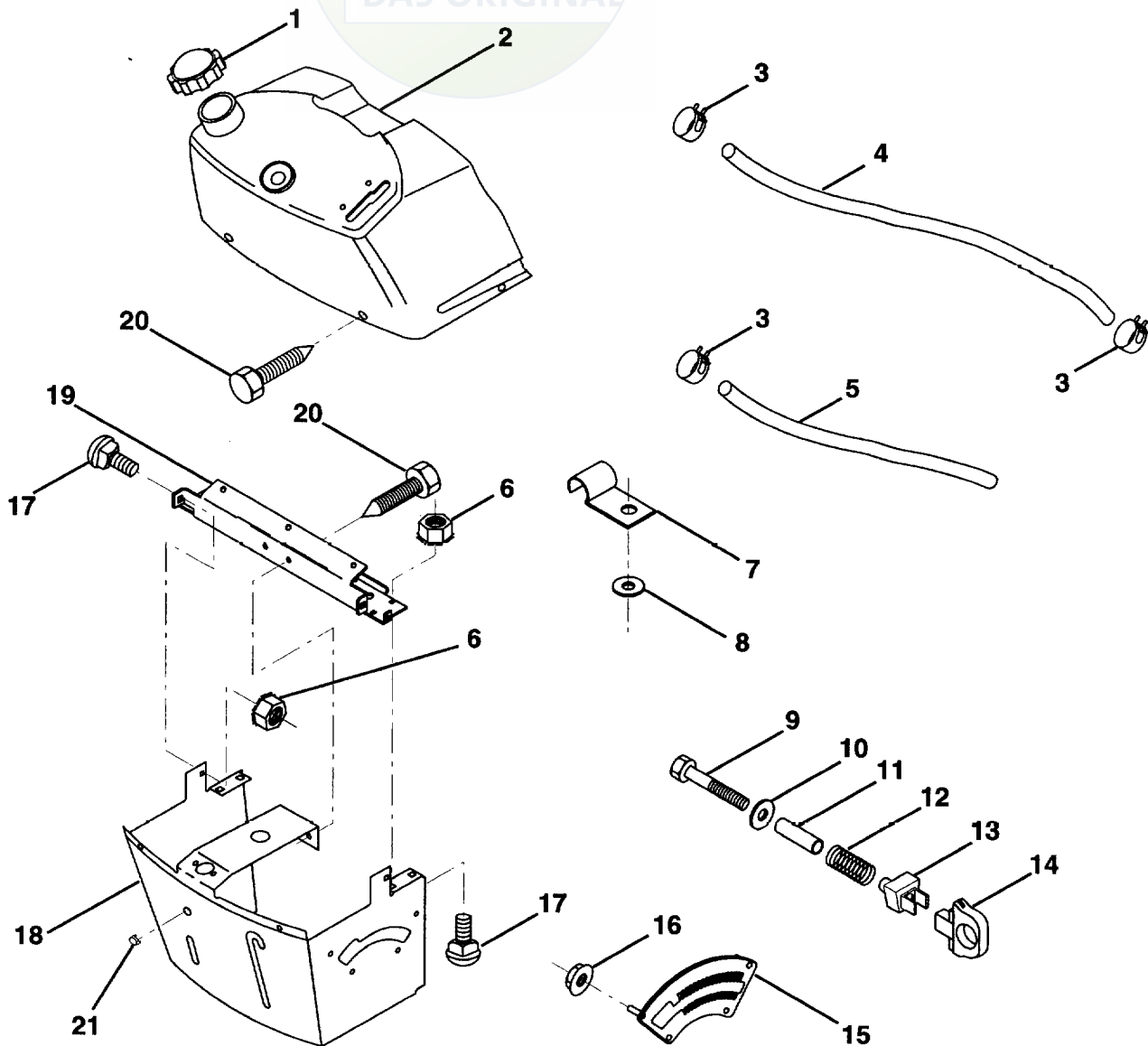
KEY NO.	PART NO.	DESCRIPTION
1	872 05 04-11	Bolt, Carriage 1/4-20 x 1-3/8
2	532 12 74-27	Seat
3	532 14 05-52	Pan, Seat
4	873 80 05-00	Nut, Lock Hex w/Ins. 5/16-18
5	532 13 98-88	Bolt, Shoulder 5/16-18 UNC
6	532 14 50-06	Clip, Push-in
8	874 78 06-16	Bolt, Fin Hex 3/8-16 UNC x 1
9	532 14 05-51	Bracket, Pivot Seat
10	532 12 64-71	Clip Insulator
11	819 13 32-10	Washer 12/32 x 2 x 10 Ga.
12	873 68 06-00	Nut, Lock Hex wNVsh 3/8-16 UNC

KEY NO.	PART NO.	DESCRIPTION
13	874 78 08-14	Bolt Hex 1/2-13 x 7/8
14	810 04 08-00	Washer Lock Hvy. Hlicl Spring 1/2
15	819 17 19-12	Washer, 17/32 x 1 -3/16 x 12 Ga.
16	532 12 70-18	Bolt, Shoulder
17	532 12 12-46	Bracket, Switch, Mounting
18	873 68 04-00	Nut, Hex Large Flange Lock
19	532 12 12-48	Bushing, Snap
20	532 12 12-50	Spring, Compression
21	532 13 43-00	Spacer, Split 28 Id. x .88 Lg.

HARDWARE SHOWN LARGER FOR EASIER IDENTIFICATION

D. REPAIR PARTS

DASH

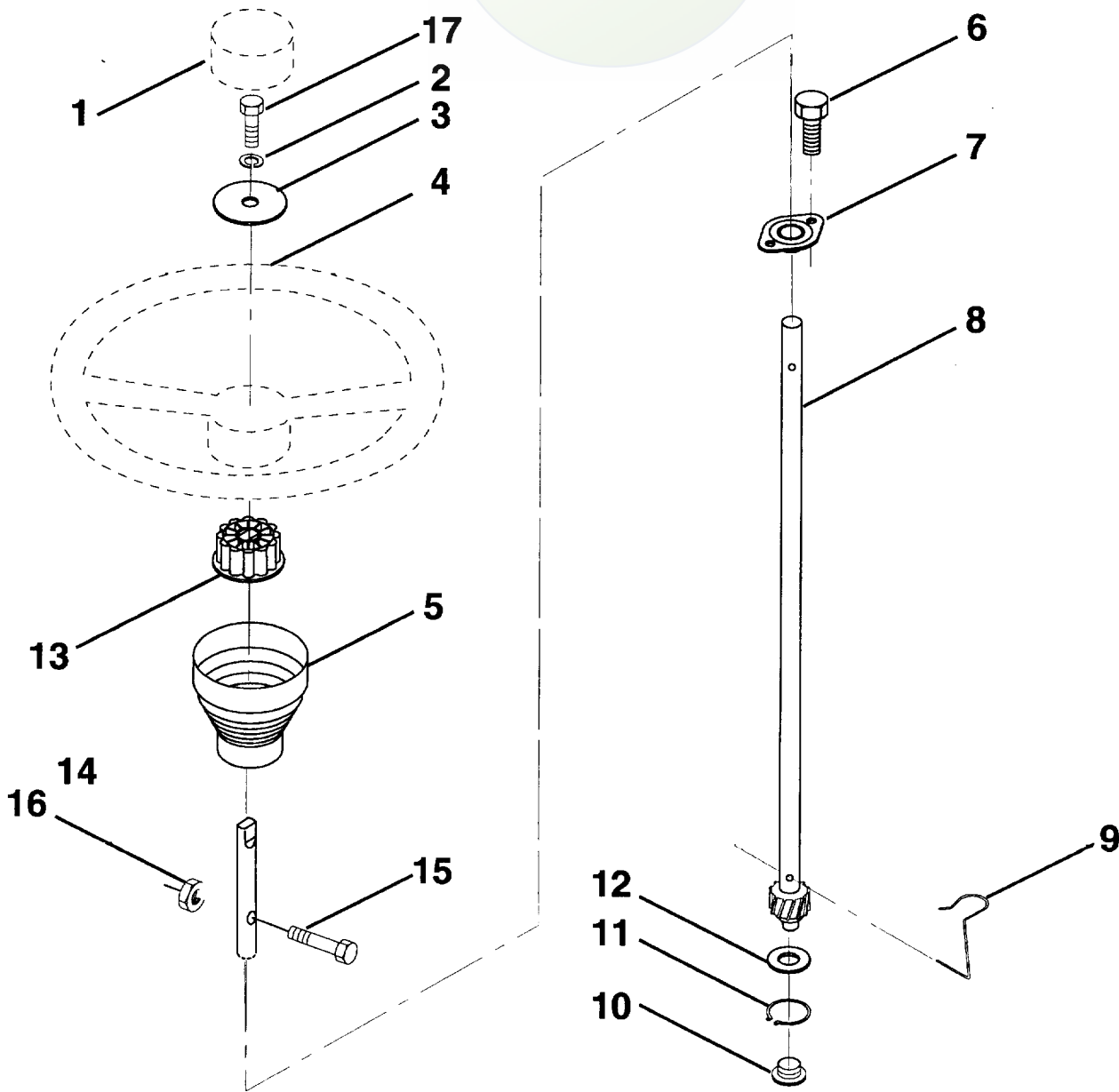


KEY NO.	PART NO.	DESCRIPTION	KEY NO.	PART NO.	DESCRIPTION
1	532 14 15-23	Cap, Fuel	12	532 00 37-20	Spring
2	532 13 83-92	Assembly, Dash & Fuel Tank	13	532 12 64-50	Clip, Height Adjustment
3	532 12 34-87	Clamp, Hose	14	532 12 61-15	Knob, Height Stop
4	532 00 02-95	Line, Fuel	15	532 12 20-23	Adjustment, Quadrant Height
5	532 00 85-48	Line, Fuel	16	532 12 43-46	Nut, Self-Threading 3/16-18
6	873 68 04-00	Nut, Hex, Keps 1/4-20	17	872 11 04-04	Bolt, Carriage 1/4-20 x 1/2 Gr. 5
7	532 00 27-51	Clip, Fuel Line	18	532 13 07-45	Support Assembly, Dash
8	734 11 54-41	Washer 9/32 x 3/4 x 16 Ga.	19	532 13 47-44	Brace, Cross
9	874 76 04-28	Bolt, Hex, Fin 1/4-20 x 1-3/4	20	817 06 04-08	Screw, Self-Tapping 1/4-20 x 1/2
10	819 09 14-16	Washer 11/32x11/16x16Ga.	21	532 13 40-14	PlugDome Black
11	532 12 12-49	Spacer, Split			

HARDWARE SHOWN LARGER FOR EASIER IDENTIFICATION

E. REPAIR PARTS

STEERING WHEEL



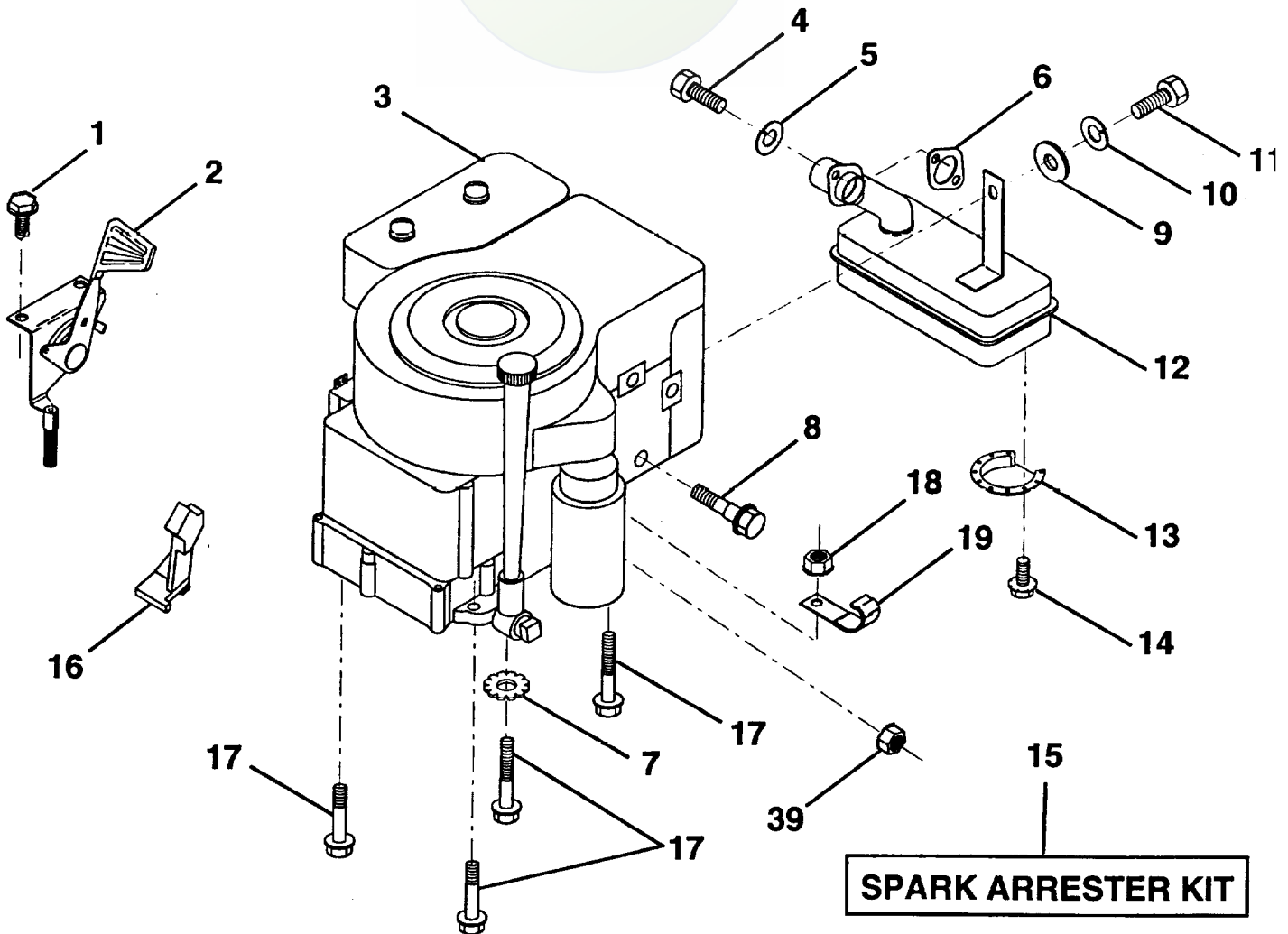
KEY NO.	PART NO.	DESCRIPTION
1	532 14 01-75	Insert, Wheel, Steering
2	873 61 06-00	Nut, Lock 3/8-24 UNF
3	819 13 38-08	Washer 12/32 x 2-3/8 x 8 Ga.
4	532 13 97-68	Wheel, Steering
5	532 12 18-97	Sleeve, Steering

KEY NO.	PART NO.	DESCRIPTION
6	817 21 10-08	Screw, Hex#10-16x1/2TY-B
7	532 10 28-03	Bushing, Steering
8	532 14 73-91	Shaft, Steering
9	532 12 42-10	Clip, Steering
10	532 12 34-38	Bushing, Lower, Steering
11	812 00 00-45	Ring, Retaining
12	734 11 85-71	Washer
13	532 10 48-20	Adaptor, Wheel, Steering
14	532 14 73-92	Extension Shaft Steering
15	874 78 05-20	Bolt Fin Hex 5/16-18 UNC x 1-1/4
16	873 80 05-00	Nut Lock Hex W/Ins 5/4 16-18 UNG

HARDWARE SHOWN LARGER FOR EASIER IDENTIFICATION

F. REPAIR PARTS

ENGINE



SPARK ARRESTER KIT

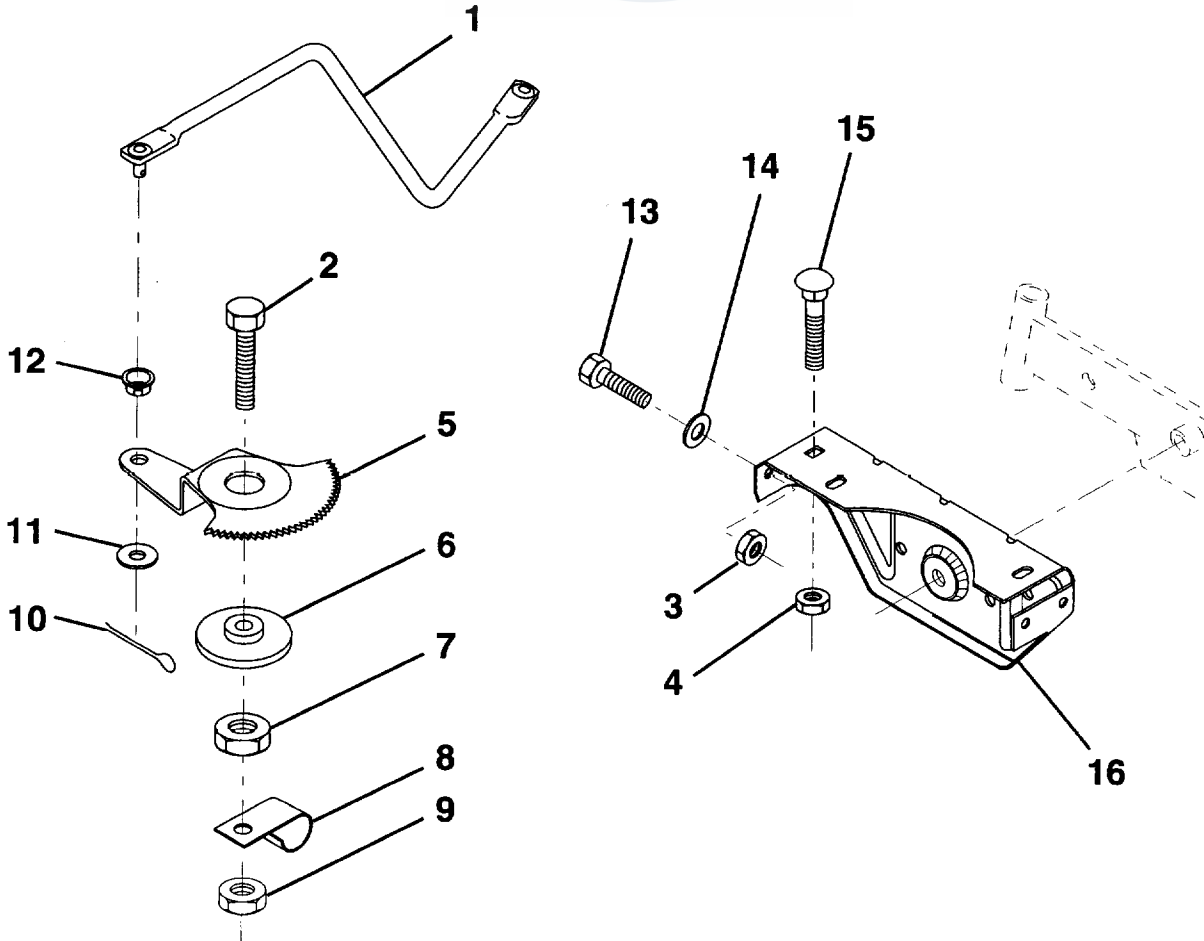
KEY NO.	PART NO.	DESCRIPTION	KEY NO.	PART NO.	DESCRIPTION
1	817 06 04-08	Screw, Hex Thd. Cut 1/4-20 x 1/2	11	-----	Bolt, hex Fin. (Order From Eng. Mfg.)
2	532 13 30-25	Control, Throttle	12	532 13 74-37	Muffler
3	-----	Engine, Briggs and Stratton Model No. 289707-0179-01	13	532 10 13-26	Deflector, Muffler
4	871 07 05-12	Screw, Hex cap 5/16-18 x 3/4	14	817 03 08-08	Screw, Spiderloc
5	810 04 05-00	Washer, Lock Heavy Helical Spring 5/16	15	532 13 71-80	Arrester, Spark (Optional equipment)
6	532 27 22-93	Gasket, Exhaust	16	532 12 79-51	Stop, Throttle
7	810 04 06-00	Washer Lock Ext. Tooth 3/8	17	874 78 06-24	Screw, Hex Washer Head, Thdrol. 3/8-16 x 1-1/2
8	532 12 10-94	Bolt, Shoulder 5/16-18	18	873 22 06-00	Nut, keps Hex 3/8-16
9	734 11 54-41	Washer 5/16 x 3/4 x 16	19	532 00 27-51	Clip, Line Fuel
10	810 04 04-00	Washer, Lock Hvy Hlcl Spring 1/4	39	532 12 88-61	Nut Flange 1/4-20

HARDWARE SHOWN LARGER FOR EASIER IDENTIFICATION

G.

REPAIR PARTS

SECTOR GEAR / AXLE SUPPORT



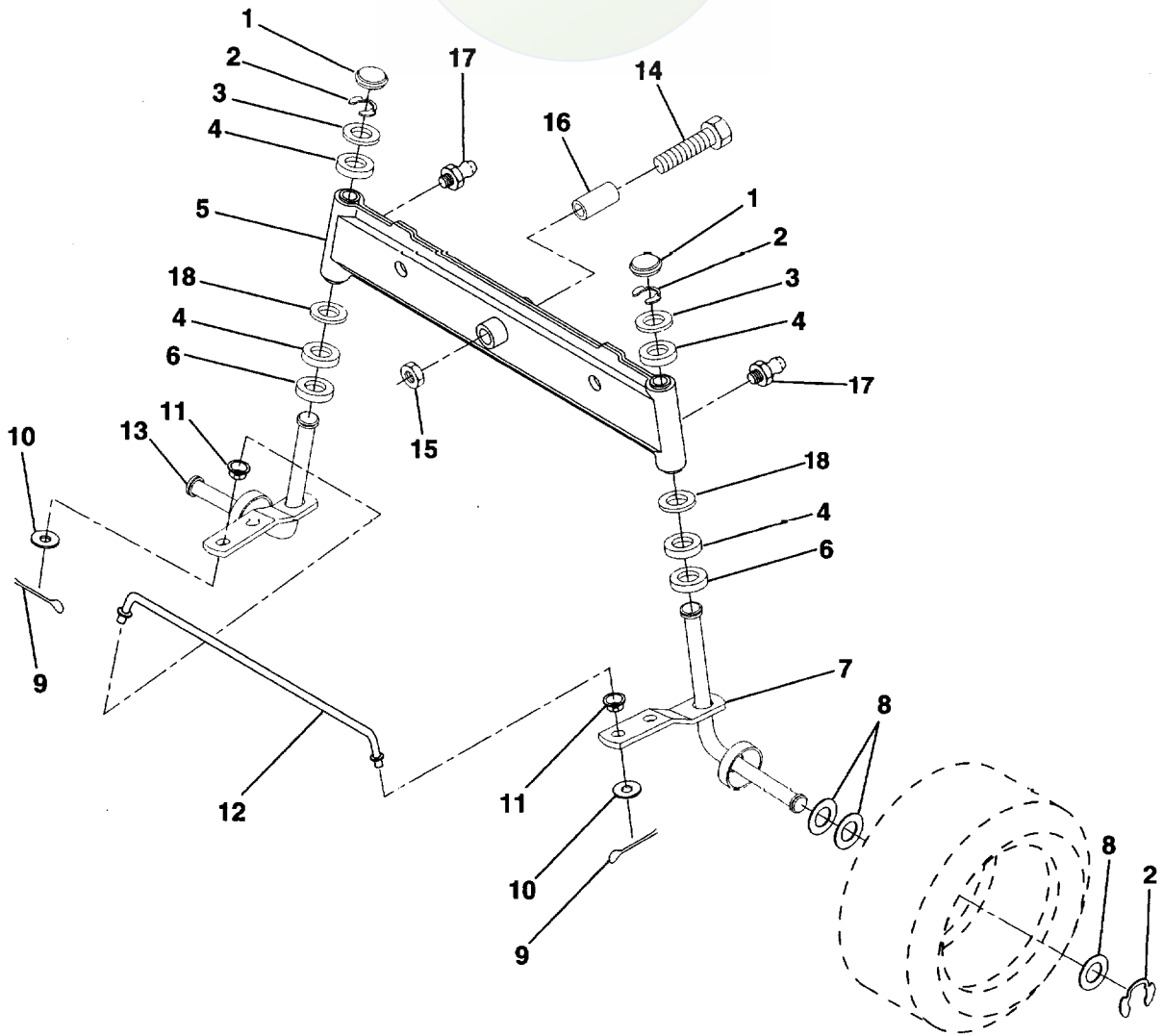
KEY NO.	PART NO.	DESCRIPTION
1	532 13 25-66	Link, Drag
2	874 78 08-28	Bolt, Fin Hex 1/2-13x 1-3/4
3	873 68 05-00	Nut, Crownlock 5/16-18
4	873 68 06-00	Nut, Crownlock 3/8-16
5	532 12 19-26	Gear, Sector
6	532 12 19-27	Bushing
7	873 68 08-00	Nut, Heavy hex Top Lock 1/2-13 UNC
8	532 12 64-72	Clip, Insulated

KEY NO.	PART NO.	DESCRIPTION
9	873 68 08-00	Nut, Crownlock 3/8-16
10	876 02 04-12	Pin, Gotter 1/8x3/4
11	734 11 72-01	Washer, 13/32 x 13/16 x 16 Ga.
12	532 12 68-47	Bushing
13	874 78 05-12	Bolt, Hex Hd. 5/16-18 UNC x 3/4
14	734 11 65-41	Washer 11/32 x 7/8 x 16 Ga.
15	872 11 06-06	Bolt, Carriage 3/8-16 UNC x 3/4
16	532 13 70-96	Support, Front Axle

HARDWARE SHOWN LARGER FOR EASIER IDENTIFICATION

H. REPAIR PARTS

FRONT AXLE

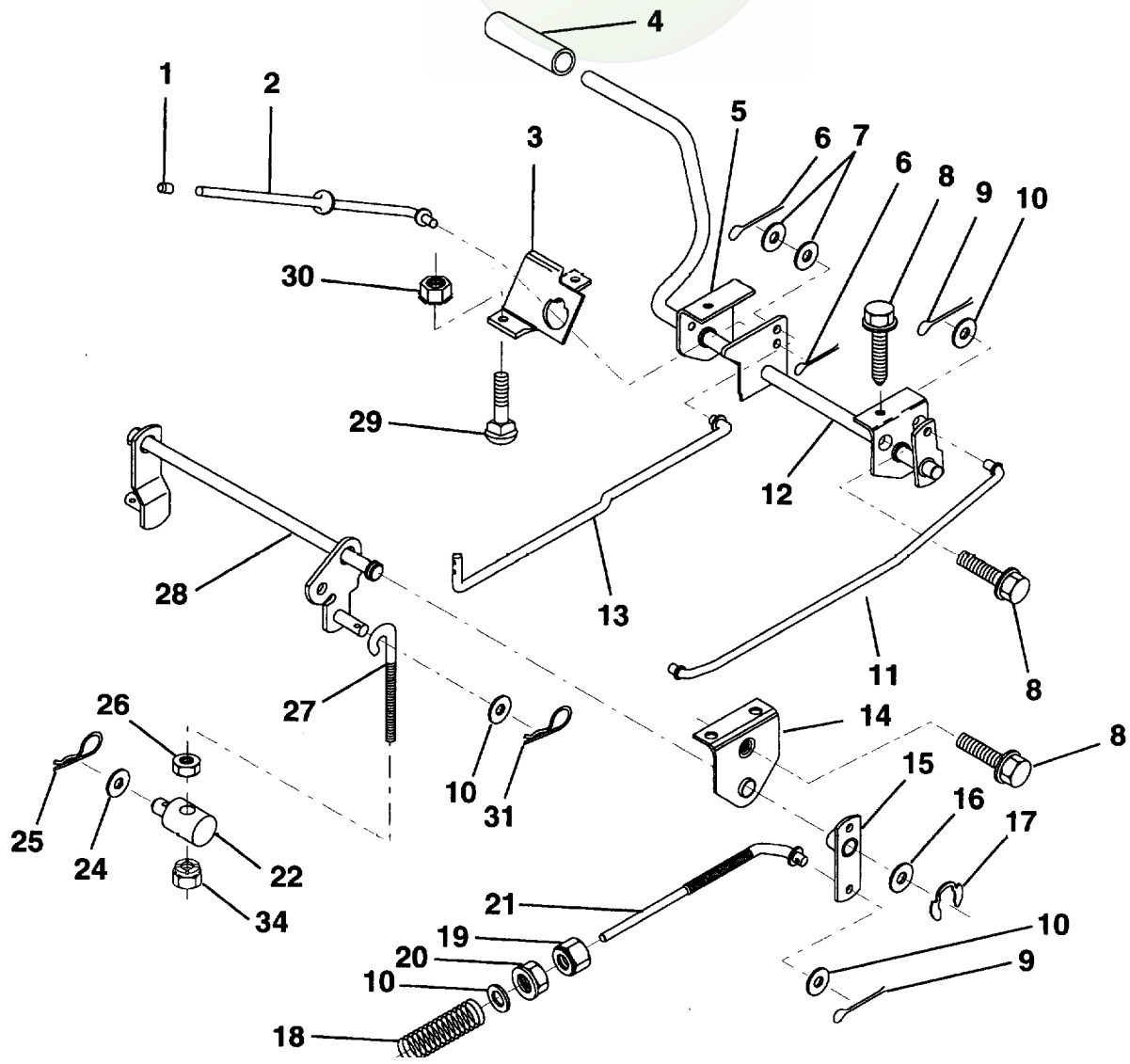


KEY NO.	PART NO.	DESCRIPTION	KEY NO.	PART NO.	DESCRIPTION
1	532 12 12-32	Cap, Spindle	10	734 11 72-01	Washer 13/32 x 13/16 x 16 Ga.
2	812 00 00-29	Ring, Clip	11	532 12 68-47	Bushing
3	532 12 17-48	Washer 25/32 x 1-5/8 x 16 Ga.	12	532 13 04-65	Rod, Tie
4	532 00 33-66	Nyliner	13	532 13 70-61	Spindle, L.H. Asm.
5	532 14 20-33	Axle,Front	14	874 01 10-56	BoltHex5/1-11 x3-1/2
6	532 00 62-66	Bearing, Thrust	15	873 68 10-00	Nut, Lock Plange 5/8-11
7	532 13 70-62	Spindle, R.H. Asm.	16	532 11 04-38	Spacer Bearing Axle
8	532 12 17-49	Washer25/32x1-1/4x16Ga.	17	532 00 68-55	FittingGrease
9	876 02 04-12	Pin, Cotter 1/8 x 3/4	18	819 27 20-16	Washer 27/32 x 1-1/4 x 16 Ga.

HARDWARE SHOWN LARGER FOR EASIER IDENTIFICATION

J. REPAIR PARTS

BRAKE / REAR MOWER LIFT ASSEMBLY

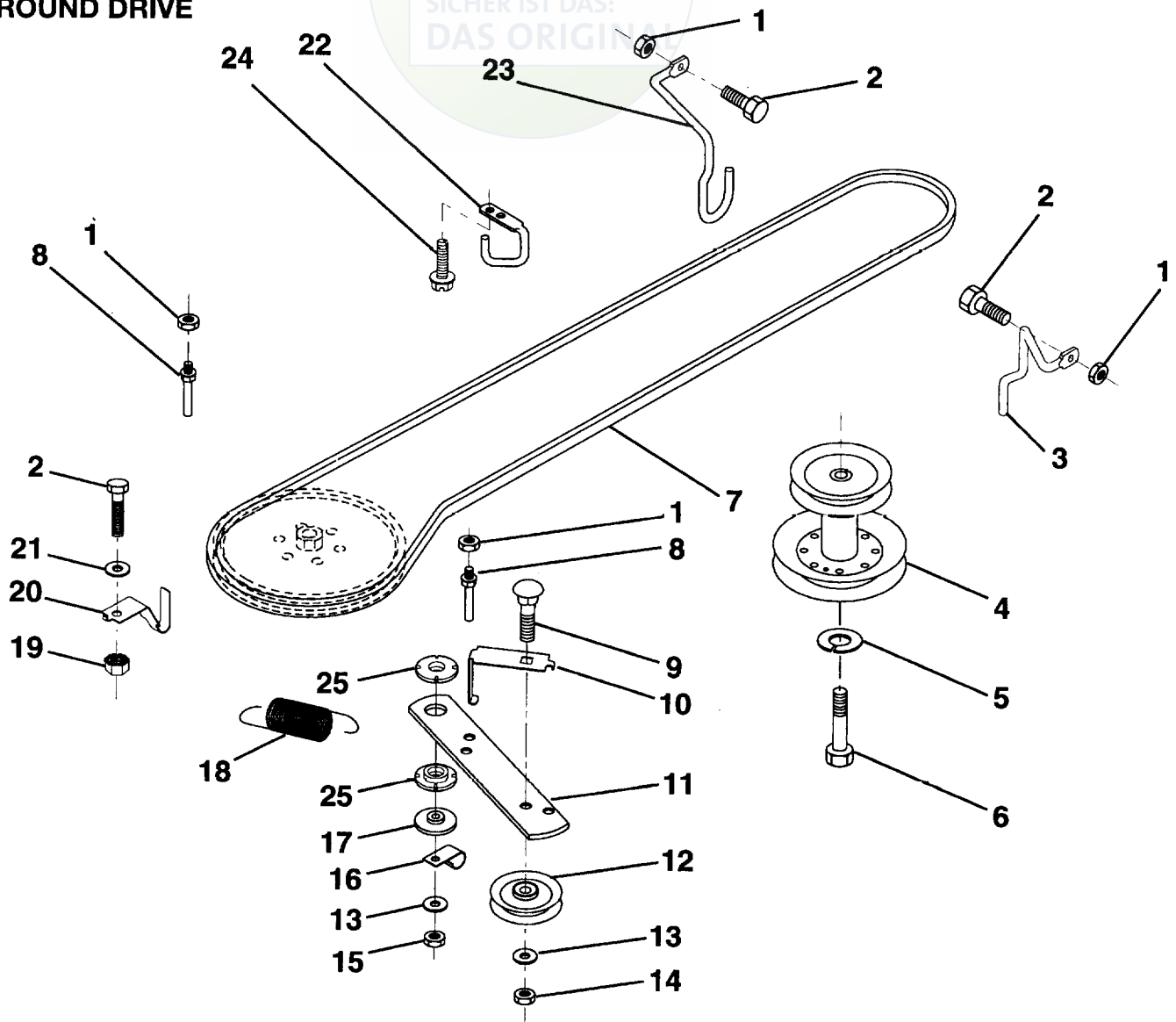


KEY PART NO.	NO.	DESCRIPTION	KEY PART NO.	NO.	DESCRIPTION
1	532 07 16-73	Cap, Plunger	16	819 25 18-16	Washer 25/32 x 1-1/8 x 16 Ga.
2	532 12 34-36	Rod, Parking Brake	17	812 00 00-34	Ring, Klip
3	532 12 34-37	Bracket, Parking Brake	18	532 15 13-32	Spring, Brake Rod
4	532 12 48-72	Cover, Pedal	19	873 22 06-00	Nut, Hex, Jam 3/8-16 UNC
5	532 12 25-04	Bracket, Clutch/Brake Pedal, L.H.	20	873 68 06-00	Nut, Lock Hex W/Ins. 3/8-16 UNC
6	876 02 03-12	Pin, Cotter 3/32 x 3/4	21	532 13 14-60	Rod, Rear Brake
7	734 11 71-71	Washer 13/32 x 5/8 x 16 Ga.	22	532 14 45-85	Trunnion, Lift
8	817 49 05-08	Screw, Hex, Thd. Roll. 5/16-18 x 1/2	24	734 11 74-41	Washer 13/32 x 1-1/4 x 12 Ga.
9	876 02 04-12	Pin, Cotter 1/8 x 3/4	25	532 00 49-21	Spring, Retainer
10	734 11 72-01	Washer 13/32 x 13/16 x 16 Ga.	26	873 68 06-00	Nut, Centerlock 3/8-16 UNC
11	532 12 35-43	Rod, Brake Front	27	532 12 73-69	Link, Threaded
12	532 13 99-33	Assembly, Clutch/Brake Pedal	28	532 14 07-76	Assembly, Rear Mower Lift
13	532 12 33-94	Rod, Clutch	29	872 11 05-06	Bolt, Carriage 5/16-18 UNC x 3/4
14	532 12 19-78	Bracket, Lift, Shaft	30	873 68 05-00	Nut, Keps 5/16-16 UNC
15	532 13 33-32	Assembly, Brake, Pivot, Arm	31	532 00 31-46	Retainer, Spacer
			34	873 68 06-00	Nut, Crownlock 3/8-16 UNC

HARDWARE SHOWN LARGER FOR EASIER IDENTIFICATION

K. REPAIR PARTS

GROUND DRIVE



KEY NO.	PART NO.	DESCRIPTION	KEY NO.	PART NO.	DESCRIPTION
1	873 68 05-00	Nut, Crownlock 5/16-18	14	873 68 06-00	Nut, Centerlock 3/8-16 UNC
2	874 78 05-12	Bolt, Hex Hd 5/16-18 UNC x 3/4	15	873 68 06-00	Nut, Crownlock 3/8-16
3	532 14 09-16	Keeper, Mower Drive, R.H.	16	532 12 64-71	Clip, Insulated
4	532 13 80-29	Pulley, Engine Correction:	17	532 15 09-32	Spacer, Retainer
5	810 04 07-00	Washer, Lock 7/16 L.H.	18	532 13 14-59	Spring Extension
6	871 17 07-44	Bolt Hex 7/16-20 Gr. 5	19	873 68 05-00	Nut, Keps 5/16-18 UNC
7	532 12 65-20	Traction, V-Belt Drive	20	532 13 99-19	Keeper, T/A Ground Drive Belt
8	532 12 34-05	Keeper, T/A Ground Drive Belt	21	734 11 63-01	Washer 11/32 x 5/8 x 16 Ga.
9	872 14 06-12	Bolt, Carr. 3/8-16 UNC x 1-1/2	22	532 12 34-04	Keeper, Frame Ground Drive Belt
10	532 12 33-96	Keeper, Belt Ground Drive Idler	23	532 14 13-42	Keeper, Mower Drive, L.H.
11	532 15 09-26	Arm, Ground Drive Clutch	24	874 78 04-04	Screw, Thd. Cut 1/4-20 x 1/2
12	532 12 36-74	Idler, Flat	25	532 15 09-35	Bushing, Nylon Correction:
13	734 11 72-01	Washer 13/32 x 13/16 x 16 Ga.			R.H.

HARDWARE SHOWN LARGER FOR EASIER IDENTIFICATION

L. REPAIR PARTS

TRANSAXLE

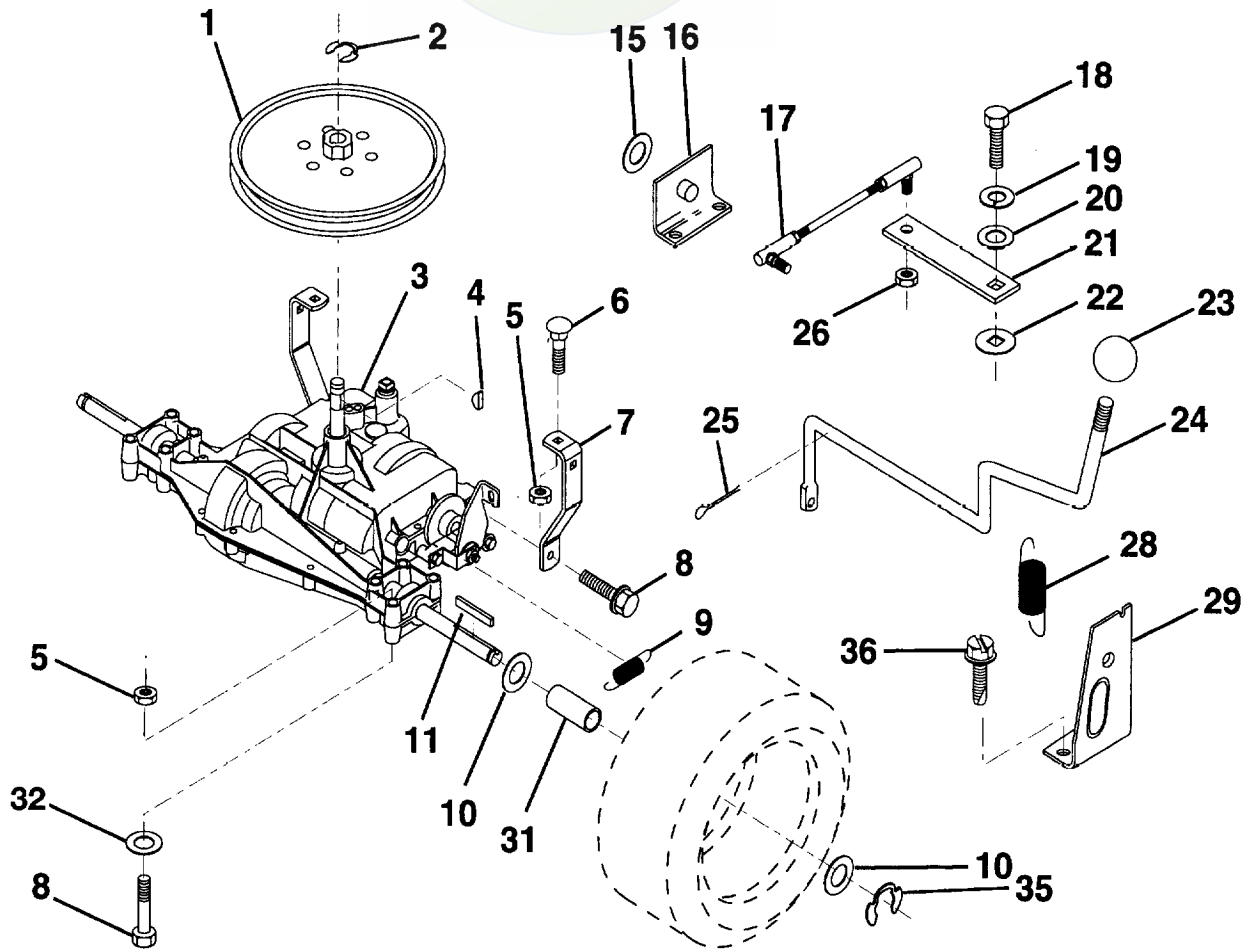


KEY NO.	PART NO.	DESCRIPTION	KEY NO.	PART NO.	DESCRIPTION
1	532 12 33-85	Pulley	19	810 04 04-00	Washer, Lock 1/4
2	532 00 22-67	Ring, Retainer	20	734 11 54-41	Washer 9/32 x 3/4 x 10 Ga.
3	-----	Transaxle, Peer Model No. P390-009	21	532 12 62-92	Arm, Shift
4	532 12 50-96	Key, Woodroff #9	22	532 10 57-01	Washer, Shift Plate
5	873 80 05-00	Nut, Crownlock 5/16-18	23	532 12 12-74	Knob, Duckhead
6	872 14 05-06	Bolt, Carriage 5/16-18 UNC x 3/4	24	532 12 82-15	Rod Shift
7	532 12 33-78	Strap, Torque	25	876 02 04-16	Pin, Cotter 1/8 x 1
8	874 78 05-12	Screw 5/16-18x3/4	26	873 61 05-00	Locknut 5/16-24 UNF
9	532 14 66-82	Spring, Brake	28	532 12 80-85	Extension, Spring
10	532 12 17-49	Washer 25/32x1-1/4x16Ga.	29	532 12 80-84	Support Handle Shift R.H.
11	532 12 35-83	Key, Square	31	532 13 70-57	SpacerAxle
15	734 11 78-01	Washer 17/32 x 1 x 16 Ga.	32	819 11 11-16	Washer 11/32 x 11/16 x 16
16	532 12 46-00	Support Handle Shift L.H.	35	812 00 00-01	E-Ring
17	532 12 62-93	Link, Shift	36	874 78 04-08	Screw, Thdrol 5/16-18 x 1/2
18	874 55 04-12	Bolt 1/4-28 UNF Gr. 8 W/Patch			

HARDWARE SHOWN LARGER FOR EASIER IDENTIFICATION

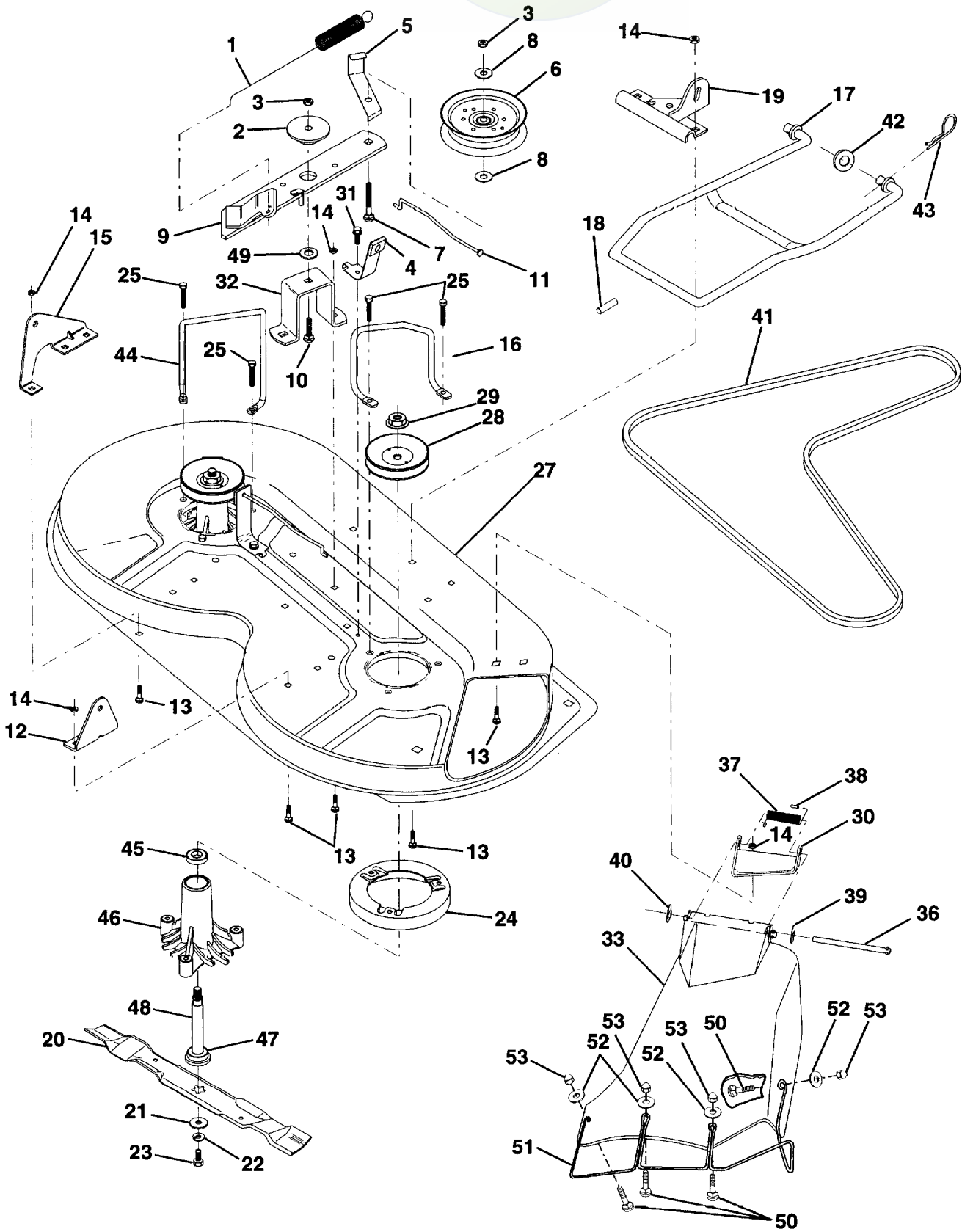
L. REPAIR PARTS

TRANSAXLE



M. REPAIR PARTS

MOWER DECK



M. REPAIR PARTS

MOWER DECK



KEY NO.	PART NO.	DESCRIPTION
1	532 14 00-64	Spring, MowerClutch
2	532 12 20-52	Spacer, Retainer
3	873 68 06-00	Nut, Crownlock 3/8-16
4	532 13 08-40	Brake Asm.
5	532 13 12-51	Guide, Belt Idler
6	532 12 13-16	Pulley, Flat Idler
7	872 11 06-16	Bolt, Carr. 3/8-16 x 1 -3/4 Gr. 5
8	734 11 72-01	Washer 13/21 x 7/8 x 10 Ga.
9	532 14 00-92	Arm Asm., Idler Mower
10	872 14 06-10	Bolt, Carriage 3/8-16 x 1-1/4
11	532 13 08-41	Rod, Brake
12	532 12 73-56	Bracket, Lift R.H. Rear
13	872 14 05-06	Bolt, Carriage 5/16-18 x 3/4
14	873 68 05-00	Nut, Crownlock 5/16-18
15	532 12 73-57	Bracket, Lift L.H. Rear
16	532 14 06-09	Keeper, R.H.
17	532 12 85-08	Link, Asm. Mower Stabilizer
18	532 12 85-11	Pin, Drive
19	532 12 73-80	Bracket, Asm. Front
20	532 13 84-96	Blade, High Lift
21	532 14 02-96	Washer, Hard
22	810 04 06-00	Washer, Lock3/8
23	532 85 08-57	Bolt 3/8-24 x 1-1/4 Gr. 8
24	532 14 03-29	Stripper
25	532 13 87-76	Screw Thdrol Hex Hd
26	532 12 99-63	Washer .150 Thk.
27	532 12 99-83	Deck Assembly
28	532 12 92-07	Pulley, Mandrel
29	532 13 72-66	Nut, Flangelock9/16
30	532 13 66-31	Bracket, Asm. Deflector
31	817 49 05-08	Screw, Hex Wsh. Thdrol 5/16-18 x 1/2
32	532 12 20-51	Arm, Support Idler Mower
33	532 13 90-83	Deflector
36	532 12 19-80	Rod, Hinge
37	532 12 37-13	Spring, Torsion Deflector
38	532 10 53-04	Cap, Sleeve
39	734 11 63-01	Washer 11/32 x 5/8 x 16 Ga.
40	532 11 04-52	Pushnut
41	532 13 12-64	V-Belt
42	734 11 78-01	Washer 11/32 x 5/8 16 Ga.
43	532 00 31-46	Retainer, Spring
44	532 14 06-08	Keeper, L.H.
45	532 11 04-85	Bearing
46	532 12 87-74	Housing Mandrel Vented
47	532 12 98-95	Bearing
48	532 13 76-45	Shaft, Mandrel (Includes Key # 47)
49	532 13 39-43	Washer Hardened
50	871 16 10-10	Screw Truss Hd Phil 10-24 x 5/8
51	532 13 63-83	Guard, Dftr., Mwr. 36" TUV (W/Form)
52	819 07 07-18	Washer 7/32 x 7/16 x 18 Ga.
53	532 06 08-67	Nut, Acorn #10-24
--	532 13 07-94	Mandrel Asm. (Includes Key No.'s 22-23, 26, 29 and 45-48)

HARDWARE SHOWN LARGER FOR EASIER IDENTIFICATION

O.

REPAIR PARTS

MOWER LIFT LEVER

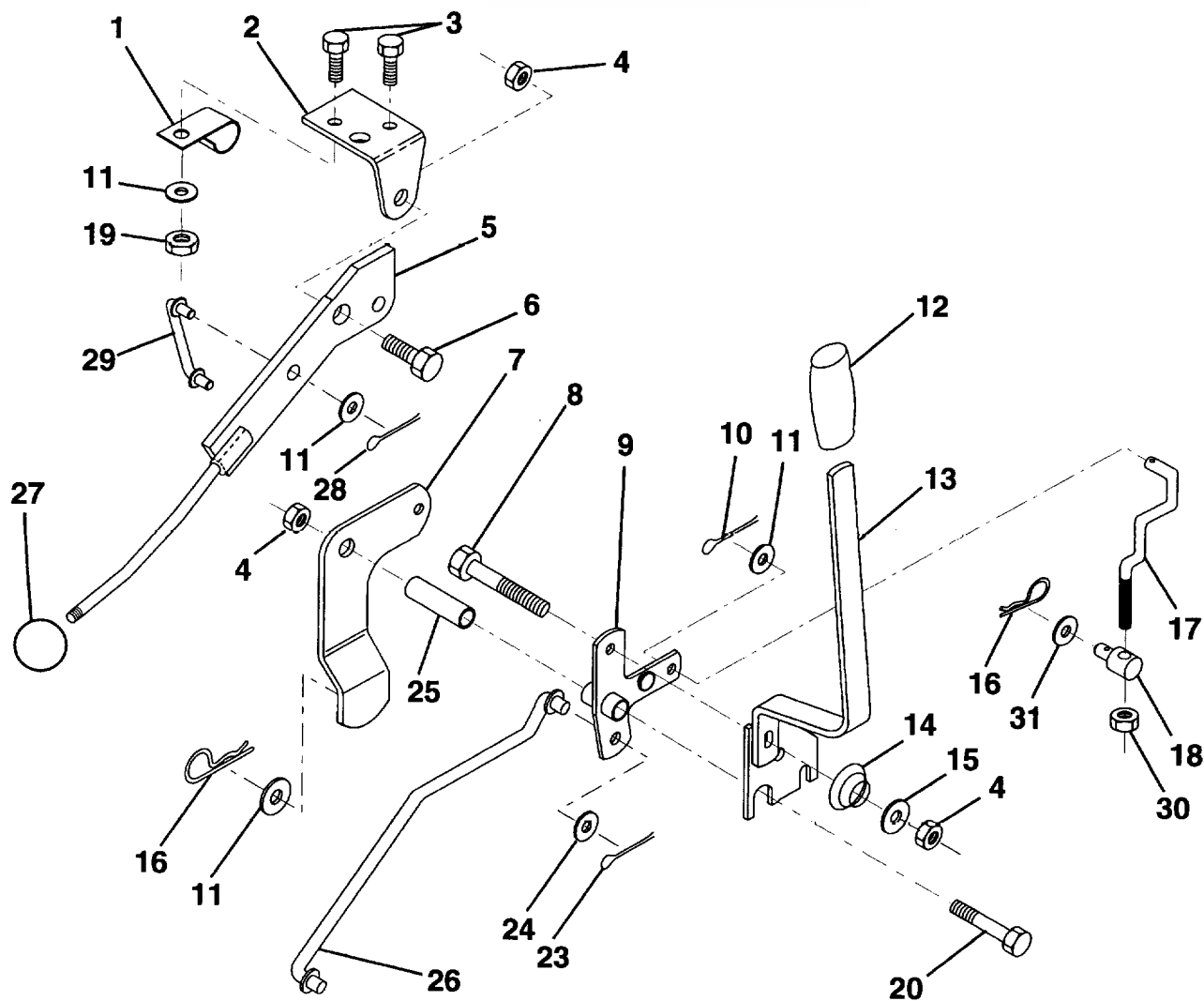


KEY NO.	PART NO.	DESCRIPTION	KEY NO.	PART NO.	DESCRIPTION
1	532 12 64-70	Clip, Insulated	16	532 00 49-21	Retainer, Spring
2	532 12 20-18	Bracket, Mower Clutch	17	532 12 73-59	Link, Front Lift
3	874 78 04-08	Bolt, Fin. Hex 1/4-20 UNC x 1/2	18	532 14 20-28	Trunnion, Threaded 3/8-16
4	873 68 06-00	Nut, Crownlock 3/8-16	19	873 68 04-00	Nut, Crownlock 1/4-20
5	532 14 51-87	Assembly, Clutch Lever	20	874 76 06-44	Bolt, Fin. Hex 3/8-16 UNC x 2-3/4
6	532 10 64-51	Bolt, Shoulder	23	876 02 04-16	Pin, Cotter 1/8 x 1
7	532 13 53-71	Assembly, Mower Clutch Arm	24	734 11 78-01	Washer 17/32 x 1 x 12 Ga.
8	874 76 06-36	Bolt, Hex 3/8-16 UNC x 2-1/4	25	532 12 19-33	Tube, Spacer
9	532 12 19-30	Assembly Bellcrank Lift	26	532 14 14-70	Rod, Mower Lift
10	876 02 04-12	Pin, Cotte; 1/8 x 3/4	27	532 12 14-66	Knob
11	734 11 72-01	Washer 13/32 x 13/16 x 16 Ga.	28	876 02 03-12	Pin, Cotter 3/32 x 3/4
12	532 12 20-27	Grip, Handle	29	532 13 16-55	Link, Mower Clutch
13	532 13 93-52	Assembly, Lift Handle	30	873 22 06-00	Nut Hex Jam 3/8-16 x 1.30
14	532 12 34-96	Spring, Compression	31	734 11 74-41	Washer 13/32 x 1-1/4 x 12 Ga.
15	734 11 72-01	Washer 13/32 x 3/4 x 12 Ga.			

HARDWARE SHOWN LARGER FOR EASIER IDENTIFICATION

O. REPAIR PARTS

MOWER LIFT LEVER



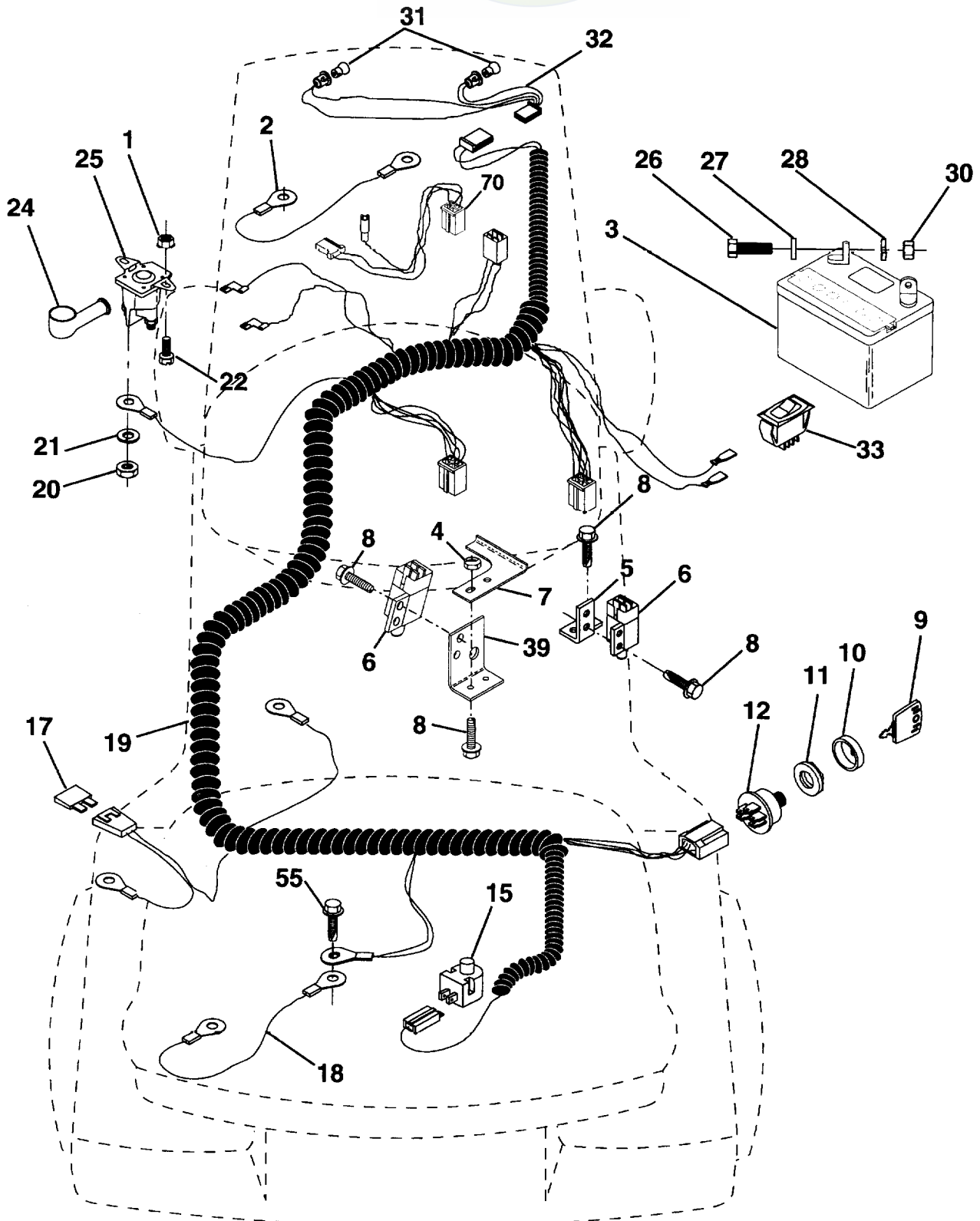
P.
REPAIR PARTS
ELECTRICAL



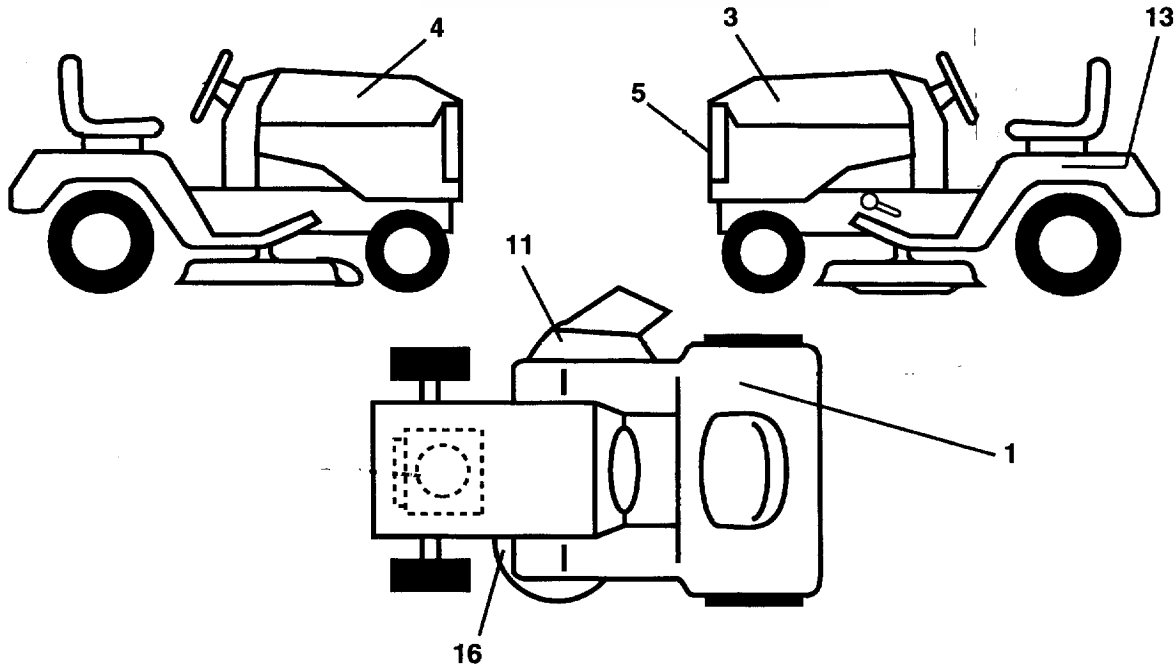
KEY NO.	PART NO.	DESCRIPTION
1	873 68 04-00	Nut, Hex Keps 1/4-20
2	532 10 84-23	Assembly, Cable
3	532 14 16-38	Battery
4	532 06 91-80	Nut, Lock #10-24 UNC
5	532 10 82-36	Bracket, Switch
6	532 10 95-53	Switch, Interlock (4-terminal)
7	532 14 63-74	Keeper Actuator
8	817 02 10-08	Screw, Hex Hd. Self-Tapping #10-24 x 1/2
9	532 14 04-01	Key, Molded
10	532 14 12-26	Cover, Key Ignition
11	532 14 57-74	Nut, Ignition
12	532 14 54-99	Switch, Ignition
15	532 12 13-05	Switch, Plunger
17	532 10 88-24	Fuse
18	532 12 83-53	Asssembly, Cable
19	532 14 60-64	Harness, Ignition
20	873 22 04-00	Nut, Hex Jam 1/4-20
21	810 04 04-00	Washer, Lock 1/4
22	874 78 04-08	Bolt, Fin. Hex 1/4-20 UNC x 1/2
24	532 13 15-63	Cover, Terminal
25	532 14 61-54	Solenoid
26	874 76 04-12	Bolt, Hex Hd. 1/4-20 UNC x 3/4
27	734 11 53-01	Washer 9/32 x 5/8 x 16
28	810 04 04-00	Washer, Lock 1/4
30	873 22 04-00	Nut, Fin. Hex 1/4-20 UNC
31	532 00 41-52	Bulb, Light
32	532 13 68-50	Harness, Headlight
33	532 11 07-12	Switch, Light
39	532 14 17-35	Bracket Switch Clutch
55	817 49 05-08	Screw Thdrol 5/16-18 x 1/2
70	532 14 04-13	Harness Engine

HARDWARE SHOWN LARGER FOR EASIER IDENTIFICATION

P. REPAIR PARTS ELECTRICAL

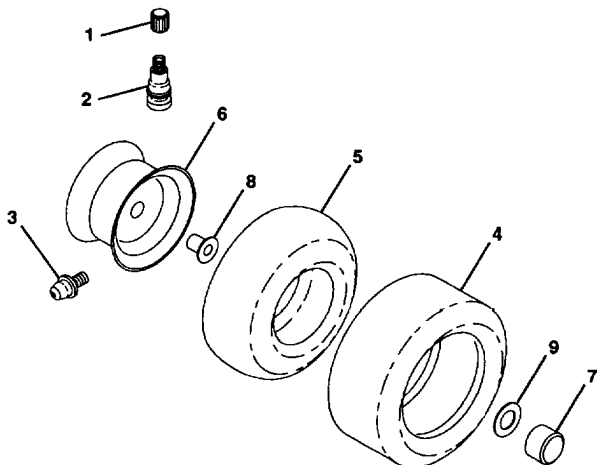


R. REPAIR PARTS DECALS



KEY NO.	PART NO.	DESCRIPTION	KEY NO.	PART NO.	DESCRIPTION
1	532 14 54-37	Decal, Europe, Stand. CE Tractor	11	532 14 54-94	Decal, Cutfinger
3	532 15 22-40	Decal, Hood, L.H.	13	532 12 15-49	Decal, Caution, Battery
4	532 15 22-39	Decal, Hood, R.H.	16	532 13 68-30	Decal, V-Belt Sch.
5	532 14 11-16	Decal, Logo, Grill			

WHEELS & TIRES

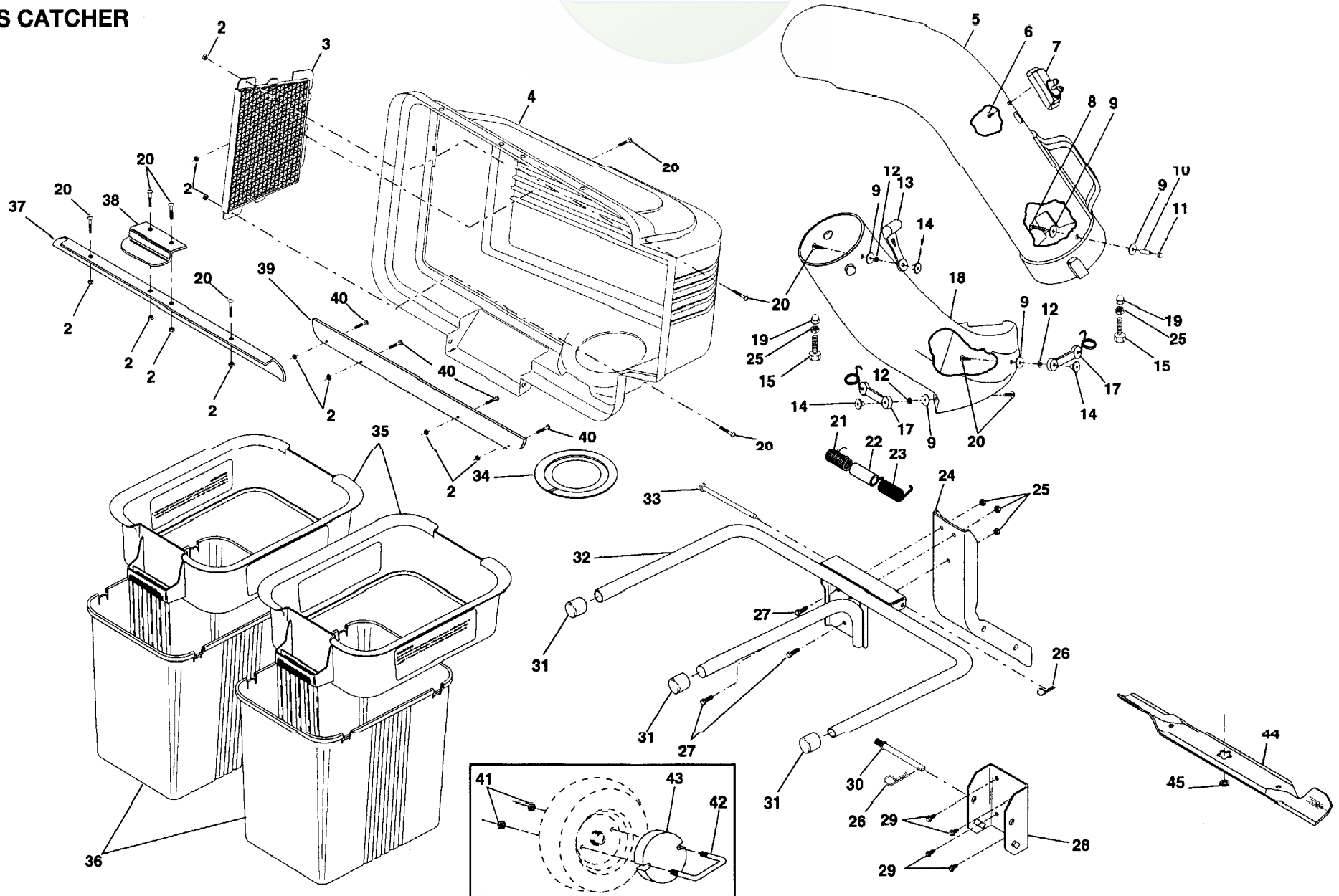


KEY NO.	PART NO.	DESCRIPTION
1	532 05 91-92	Cap, Valve
2	532 06 51-39	Stem, Valve
3	532 00 02-78	Fitting, Grease\ (Front Wheels Only)
4	533 30 11-40	Tire, Front
4	532 13 27-03	Tire, Rear
5	532 05 99-04	Tube, Front (Optional Service Items Only)
5	532 00 81-34	Tube, Rear (Optional Service Items Only)
6	532 14 20-39	Rim, Front
6	532 14 16-52	Rim, Rear
7	532 10 47-57	Cap Axle
8	532 00 90-40	Bearing
9	532 12 17-48	Washer 25/32 x 1 -5/8 x 16 Ga.

HARDWARE SHOWN LARGER FOR EASIER IDENTIFICATION

S. REPAIR PARTS

GRASS CATCHER



S. REPAIR PARTS

GRASS CATCHER



KEY PART NO.	PART NO.	DESCRIPTION	KEY PART NO.	PART NO.	DESCRIPTION
2	532 06 91-80	Locknut #10-24	26	532 08 59-02	Spring, Retainer
3	532 12 75-33	Screen, Cover	27	874 78 05-12	Bolt, Hex 5/16-18 x 3/4
4	532 14 06-54	Cover	28	532 13 08-89	Bracket, Mounting
5	532 12 85-98	Chute, Upper	29	817 49 05-08	Screw, Thread Rolling 5/16-18 x 1/2
6	818 02 10-08	Screw, Special	30	532 13 11-37	Pin, Support Post
7	532 14 05-72	Indicator, Dump Bag	31	532 13 44-96	Cap, Tubing End
8	874 98 10-20	Screw, #10-24 x 1-1/8	32	532 12 69-19	Bagger, Frame
9	819 06 12-16	Washer 3/16 x 3/4 x 16 Ga.	33	532 12 86-00	Pin, Hinge
10	532 00 72-06	Spacer, Split	34	532 12 75-34	Gasket, Cover
11	532 06 08-67	Nut, Acorn #10-24	35	532 12 95-85	Container, Top
12	810 07 10-00	Washer, Lock	36	532 12 95-86	Container, Bottom
13	532 10 98-08	Latch, Chute	36	532 13 24-31	Soft Container Bottom
14	532 00 20-29	Nut, Weld	37	532 13 22-56	Seal, Cover
15	874 78 05-16	Bolt, Hex 5/16-18 x 1	38	532 13 08-95	Latch Handle, Cover
17	532 13 07-58	Latch Assy., bagger	39	532 13 54-95	Strip, Seal
18	532 12 85-99	Chute, Lower	40	871 14 10-08	Screw #10-24 x 1/2
19	532 13 38-41	Nut, Acorn 5/16-18	41	873 68 06-00	Locknut 3/8-16
20	874 29 10-10	Screw #10-24 x 5/8	42	532 13 70-31	U-Bolt
21	532 13 27-96	Spring, Cover L.H. (Black)	43	532 12 36-35	Weight, Wheel
22	532 13 32-35	Spacer, Cover	44	532 13 84-96	Blade, High Lift
23	532 13 29-83	Spring, Cover R.H. (Gray)	45	532 13 82-00	Adaptor, Blade
24	532 12 77-20	Post, Support	-	532 10 50-70	Bag, 3,0 Mil. 30 Gallon
25	873 68 05-00	Locknut 5/16 x 18			Trash (not included with bagger)