

LM2152 CMDAE

Spare parts

Ersatzteile

Pièces détachées

Reserve onderdelen

Repuestos

Reservdelar

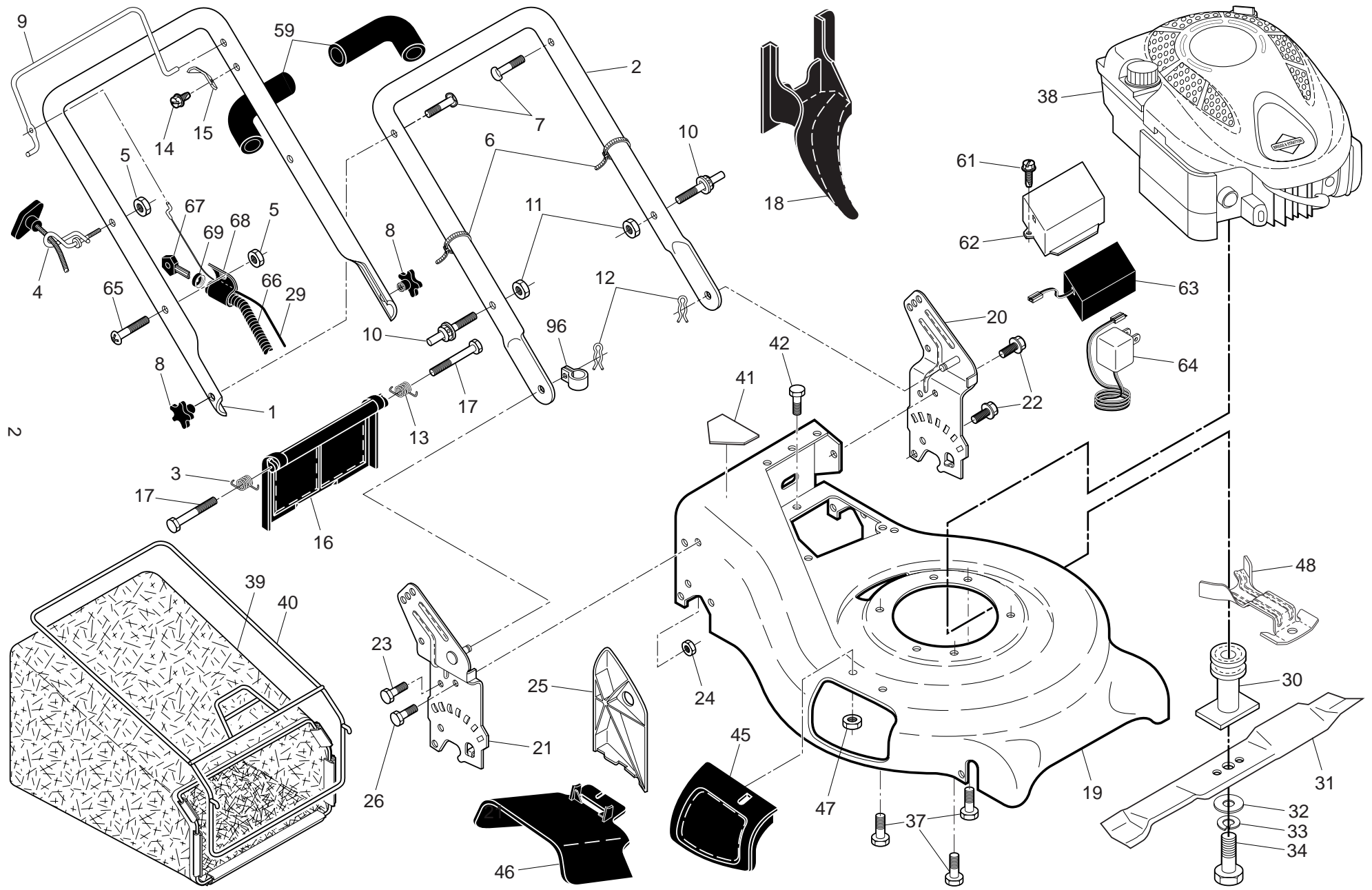
ILLUSTRATED PARTS LIST

MODEL NUMBER LM 2152CMDAE

PRODUCT NUMBER 961 41 02-42

MFG. ID. NUMBER 96141024200

ROTARY LAWN MOWER - - MODEL NUMBER LM 2152CMDAE (96141024200) PRODUCT NO. 961 41 02-42

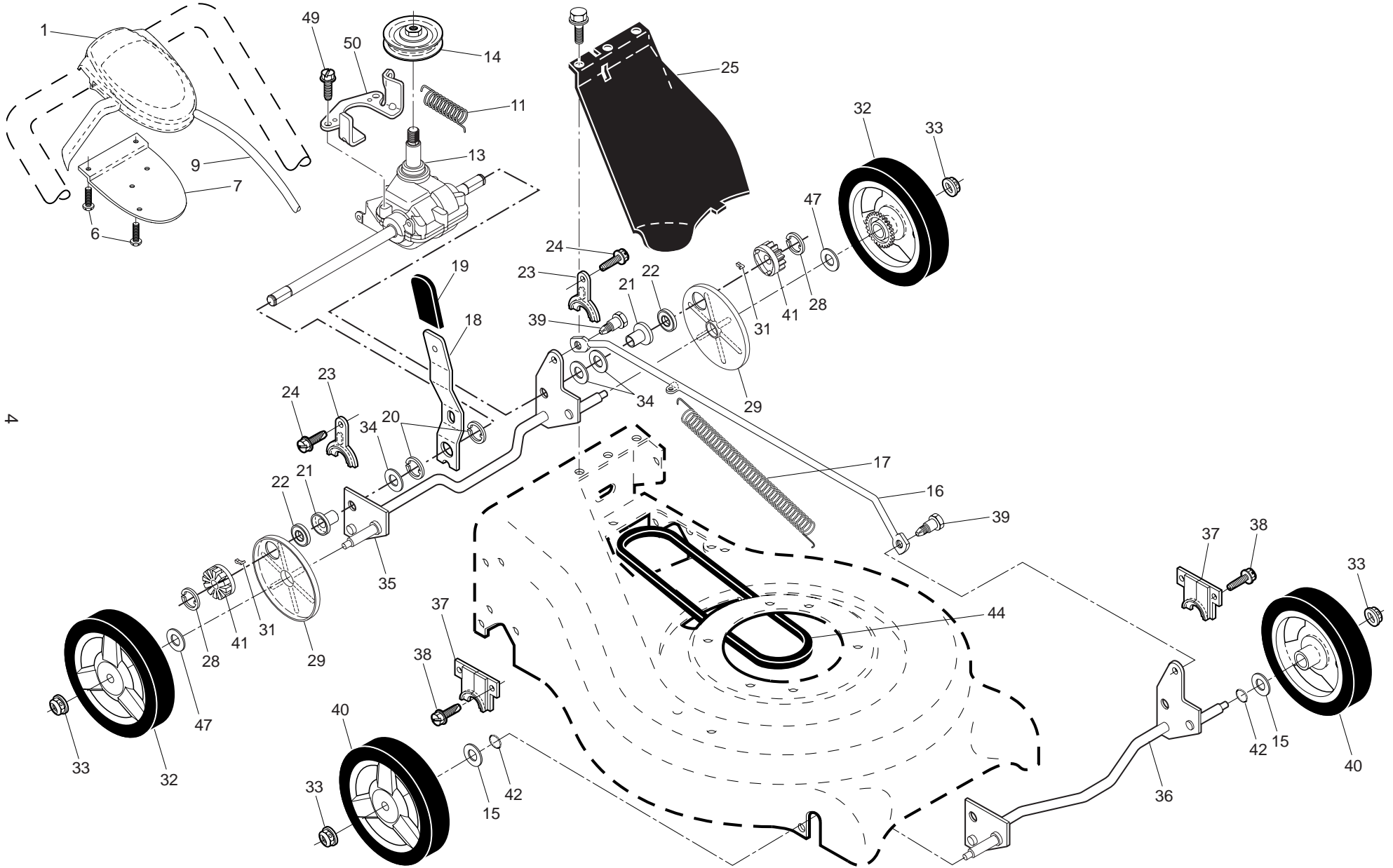


ROTARY LAWN MOWER - - MODEL NUMBER LM 2152CMDAE (96141024200) PRODUCT NO. 961 41 02-42

KEY NO.	PART NO.	DESCRIPTION	KEY NO.	PART NO.	DESCRIPTION
1	532 18 45-76	Handle, Upper (Includes Foam Grip)	33	532 85 02-63	Lockwasher, Helical Spring 3/8
2	532 19 60-05	Handle, Lower	34	532 85 10-84	Screw, Hex Head 3/8-24 x 1.38
3	532 40 54-16	Spring, Rear Door, RH	37	532 15 04-06	Bolt, Engine
4	532 19 47-88	Guide, Rope, Side	38	- - -	Engine, Briggs & Stratton, Model Number 124T05-5492-B1 (order parts from engine manufacturer)
5	532 13 20-04	Nut, Hex Lockwasher Insert 1/4-20	39	532 41 06-76	Grassbag
6	532 06 64-26	Wire, Tie	40	532 41 19-51	Frame, Grassbag
7	532 19 15-74	Bolt, Handle 5/16-18 x 1.75	41	532 18 21-66	Danger Decal
8	532 19 19-38	Knob, Handle	42	532 05 45-83	Screw
9	532 42 65-05	Bail, Flat, Auto-Walk, Orange	45	532 19 13-41	Mulcher Door Assembly
10	532 18 88-21	Bolt, Carriage	46	532 19 12-10	Deflector, Discharge
11	532 75 11-53	Nut, Hex, Centerlock 5/16-18 UNC	47	532 08 83-49	Nut, Hex
12	532 05 17-93	Cotter, Hairpin	48	532 42 90-01	Belt Retainer
13	532 40 54-15	Spring, Rear Door, LH	59	532 18 27-48	Grip, Handle, Foam, Smooth
14	532 75 06-34	Screw	61	532 16 34-09	Screw, Hi-Lo Thread
15	532 43 00-34	Bracket, Upstop	62	532 40 80-02	Box, Battery
16	532 40 88-88	Rear Door Assembly	63	532 18 95-89	Battery
17	532 18 41-93	Bolt, Rear Door	64	532 19 24-36	Charger, Battery
18	532 19 81-70	Plug, Mulcher	65	532 18 61-59	Screw
19	532 43 87-14	Kit, Lawn Mower Housing	66	532 19 73-63	Wiring Harness
20	532 19 40-29	Handle Bracket Assembly, LH	67	532 18 03-31	Key
21	532 19 40-31	Handle Bracket Assembly, RH	68	532 19 48-47	Key Start Switch
22	532 42 88-67	Screw, Hex Washer Head	69	532 19 48-48	Nut, Cap
23	532 16 31-83	Bolt, Hex Head 5/16-18 x 5/8	96	532 19 79-91	Clip, Cable
24	873 80 05-00	Nut, Hex, with Lock Washer Insert 5/16-18	--	532 18 21-91	Warning Decal (not shown)
25	532 16 13-33	Baffle, Side	--	532 43 77-69	Operator's Manual, European
26	532 16 34-09	Screw 12 x 5/8	--	532 43 77-71	Operator's Manual, Scandinavian
29	532 42 59-23	Cable, Operator Presence	--	532 43 77-72	Operator's Manual, East Bloc
30	532 42 11-76	Blade Adapter / Pulley	--	532 43 77-73	Operator's Manual, Baltic
31	532 19 93-77	Blade, 21"			
32	532 85 10-74	Washer, Hardened			

NOTE: All component dimensions given in U.S. inches. 1 inch = 25.4 mm. **IMPORTANT:** Use only Original Equipment Manufacturer (O.E.M.) replacement parts. Failure to do so could be hazardous, damage your lawn mower and void your warranty.

ROTARY LAWN MOWER - - MODEL NUMBER LM 2152CMDAE (96141024200) PRODUCT NO. 961 41 02-42



ROTARY LAWN MOWER - - MODEL NUMBER LM 2152CMDAE (96141024200) PRODUCT NO. 961 41 02-42

KEY NO.	PART NO.	DESCRIPTION	KEY NO.	PART NO.	DESCRIPTION
1	532 43 31-60	Drive Control Assembly (Includes Cable)	25	532 43 26-70	Drive Cover Assembly (Includes Mounting Screw and Pushnut)
6	532 18 16-98	Screw, Phillips Head #10 x 5/8	28	812 00 00-58	E-Ring 7/16
7	532 40 07-23	Mounting Bracket, Drive Control	29	532 18 94-03	Cover, Dust, Wheel
9	532 40 62-58	Cable, Drive Control	31	532 40 48-45	Pawl, Drive
11	532 40 65-58	Spring, Return	32	532 41 35-70	Wheel & Tire Assembly, Rear
13	532 41 92-13	Gear Case Assembly, Complete	33	532 40 91-48	Nut, Hex, Flangelock 3/8-16
14	532 19 34-43	Pulley, Drive	34	532 85 12-26	Washer
15	532 08 83-48	Washer, Flat	35	532 41 09-22	Shaft Assembly, Rear
16	532 40 71-47	Rod, Connecting	36	532 41 09-33	Shaft Assembly, Front
17	532 40 96-16	Spring, Extension	37	532 16 14-63	Retainer, Front Shaft
18	532 41 88-66	Spring Selector	38	532 16 34-09	Screw #12 x 5/8
19	532 19 00-69	Knob, Selector Spring	39	532 40 70-59	Bolt, Shoulder, Semi-Gimlet Point
20	812 00 00-22	E-Ring	40	532 41 13-24	Wheel & Tire Assembly, Front 8 x 2
21	532 41 24-50	Bearing Support	41	532 40 48-35	Pinion
22	532 19 10-39	Bearing, Ball	42	532 19 74-80	O-Ring
23	532 16 45-55	Retainer, Drive Assembly, Stamped	44	532 40 65-80	V-Belt
24	817 06 04-10	Screw, Tapping, Hex Head 1/4-20 x 3/4	47	532 06 77-25	Washer 1/2 x 1-1/2 x .134
			49	532 16 34-09	Screw, Hi-Lo Thread
			50	532 41 31-04	Belt Keeper

NOTE: All component dimensions given in U.S. inches. 1 inch = 25.4 mm. **IMPORTANT:** Use only Original Equipment Manufacturer (O.E.M.) replacement parts. Failure to do so could be hazardous, damage your lawn mower and void your warranty.