



# CC 2245

# FC 2245

# FC 2245 W

**Spare parts**

**Ersatzteile**

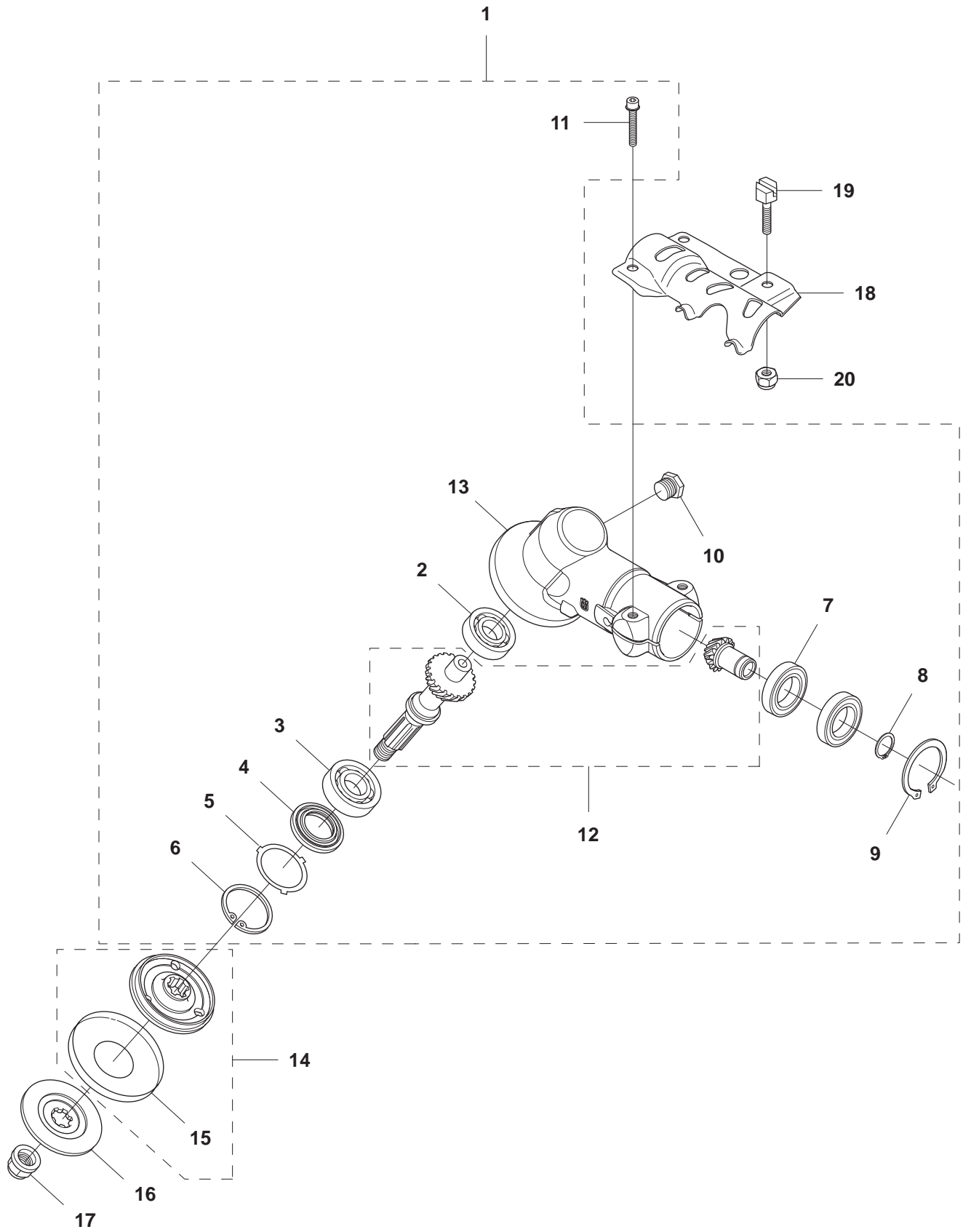
**Pièces détachées**

**Reserve onderdelen**

**Repuestos**

**Reservdelar**

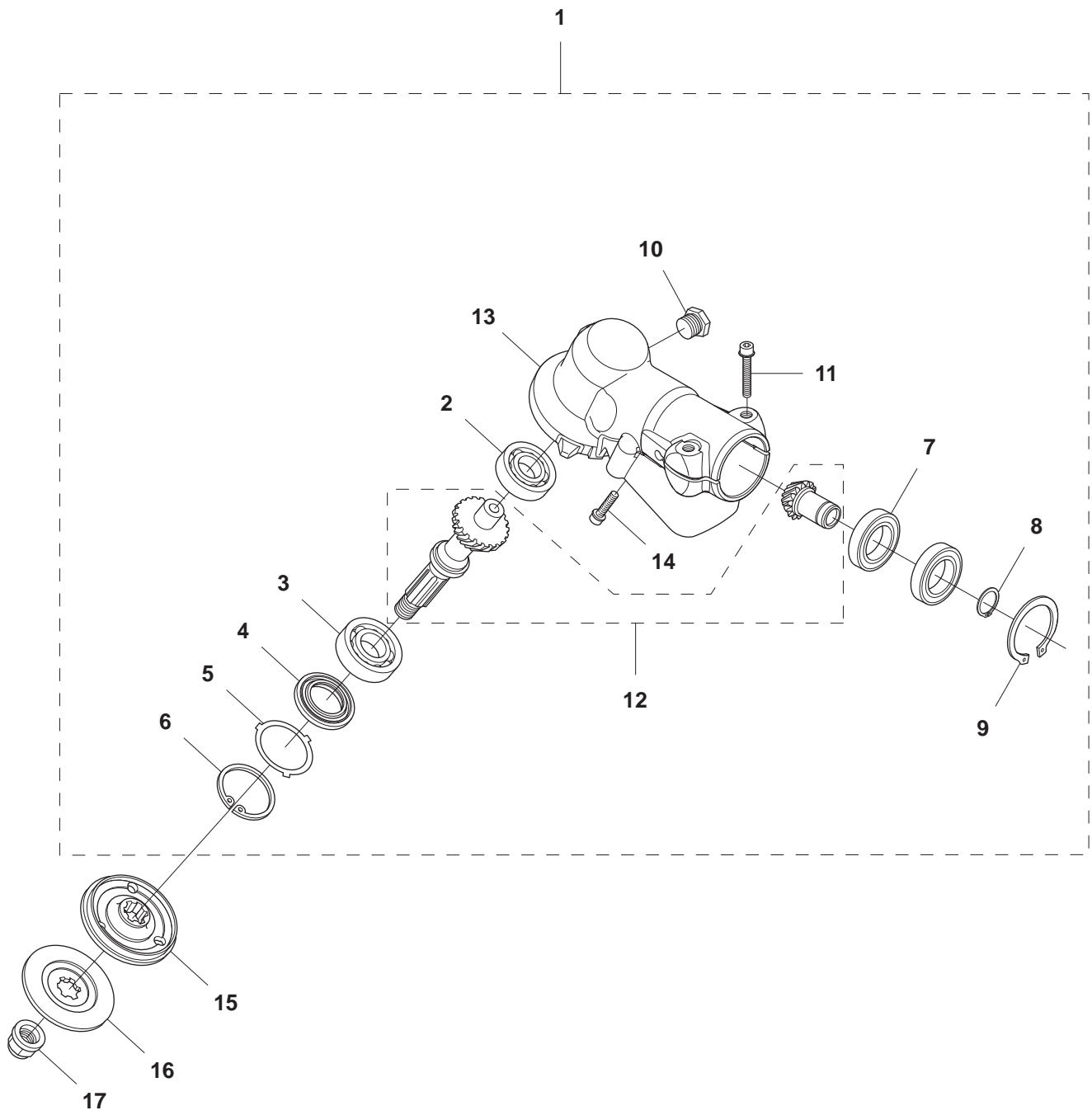
**A1** CC 2245  
BEVEL GEAR



BEVEL GEAR

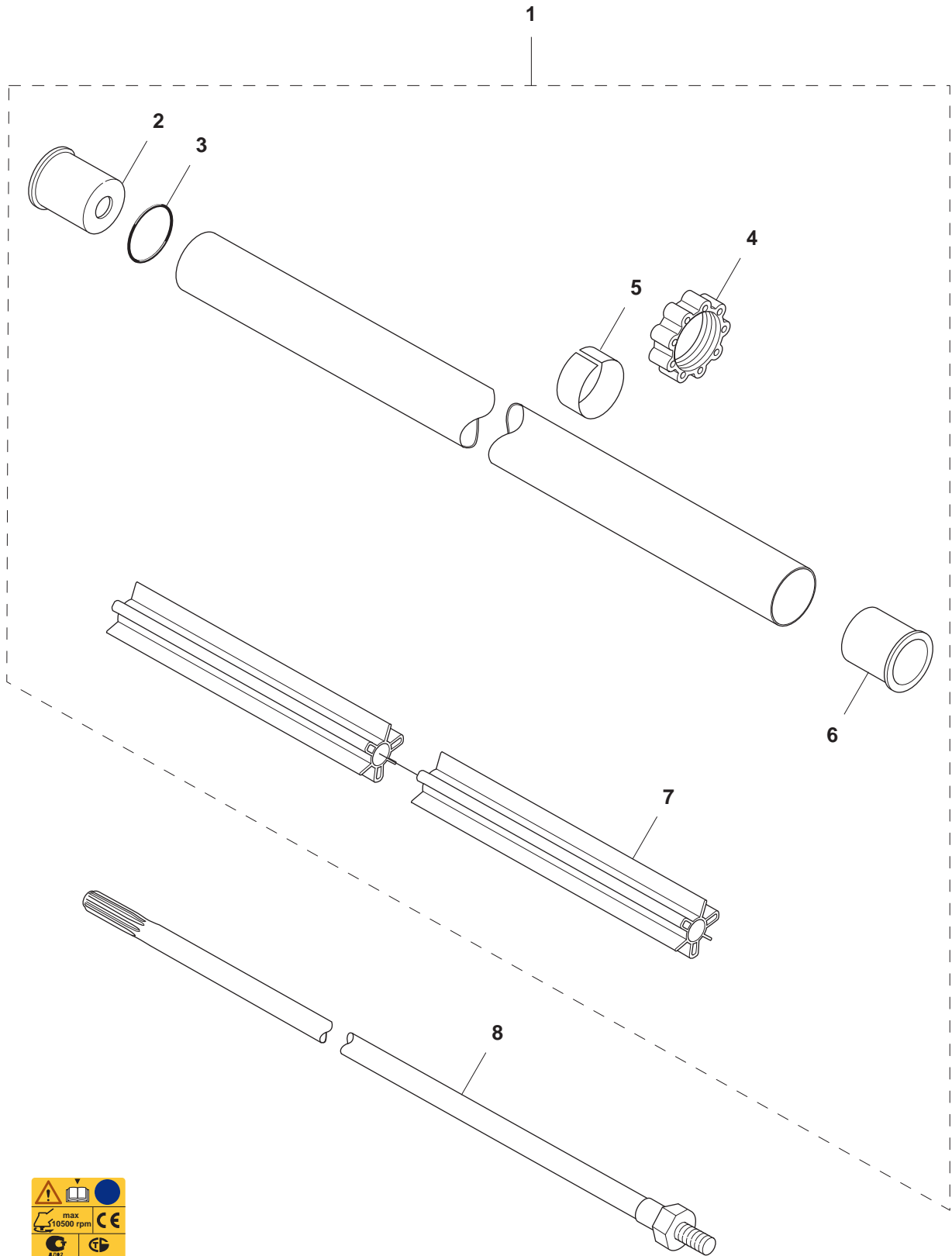
Position	Article	Quantity	Notes	Kit
1	502 23 52-01	1		
2	738 21 01-10	1		1
3	503 25 08-01	1		1
4	503 26 17-01	1		1
5	503 75 89-01	1		1
6	735 31 33-10	1		1
7	738 21 87-12	2		1
8	735 31 17-00	1		1
9	735 31 31-10	1		1
10	503 20 15-01	1		1
11	503 20 02-25	2		1
12	537 29 07-01	1		1
13	502 23 51-01	1		1
14	537 35 14-01	1		
15	537 29 24-01	1		14
16	544 21 78-01	1		
17	502 29 11-01	1		
18	503 95 45-03	1		
19	537 18 95-01	1		
20	732 21 16-01	1		

**A2** FC 2245, FC 2245 W  
BEVEL GEAR



Position	Article	Quantity	Notes	Kit
1	502 29 78-01	1		
2	738 21 01-10	1		1
3	503 25 08-01	1		1
4	503 26 17-01	1		1
5	503 75 89-01	1		1
6	735 31 33-10	1		1
7	738 21 87-12	2		1
8	735 31 17-00	1		1
9	735 31 31-10	1		1
10	503 20 15-01	1		1
11	503 20 02-25	2		1
12	537 29 06-01	1		1
13	502 29 79-01	1		1
14	503 20 03-16	4		1
15	544 19 78-01	1		
16	544 21 78-01	1		
17	502 29 11-01	1		

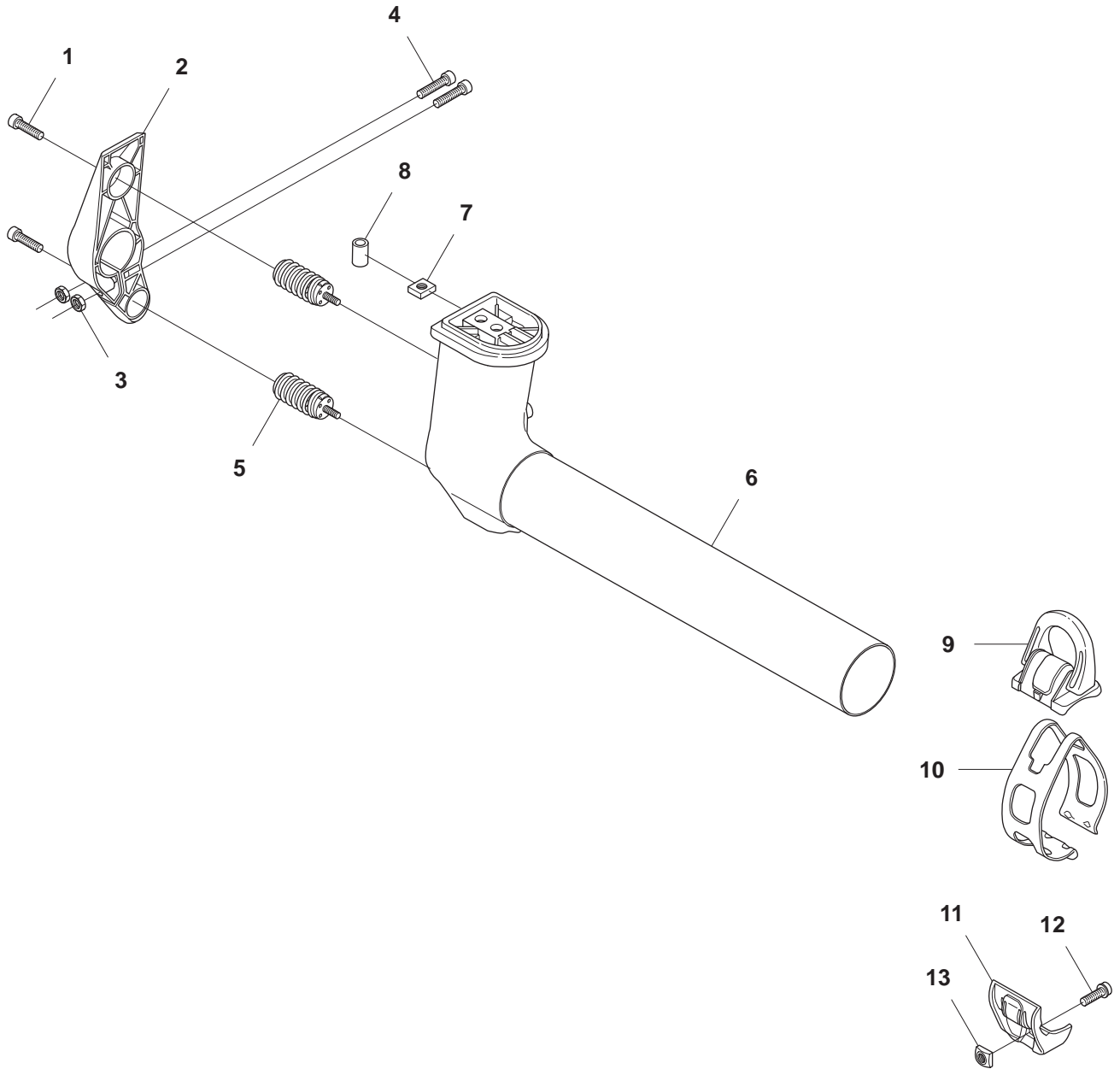
**B** FC 2245, FC 2245 W, CC 2245  
SHAFT



9

Position	Article	Quantity	Notes	Kit
1	577 26 21-02	1	FC, FCW L=1354 $\varnothing$ 32,2	
1	577 26 21-04	1	CC L=1384 $\varnothing$ 32,2	
2	544 02 94-01	1		1
3	506 11 03-01	1		1
4	537 30 98-01	1		1
5	537 30 97-01	1		1
6	544 02 94-01	1	FC, FCW, CC	1
7	523 01 88-01	1	FC, FCW	1
7	523 01 88-03	1	CC	1
8	503 95 54-01	1	FC, FCW L=1401 $\varnothing$ 9, hollowed	
8	503 92 44-01	1	FC, FCW L=1401 $\varnothing$ 9, solid	
8	503 92 44-03	1	CC L=1431 $\varnothing$ 9, solid	
9	537 29 47-07	1		
9	537 29 47-03	1	FC, FCW	

**C** FC 2245, FC 2245 W, CC 2245  
SUSPENSION

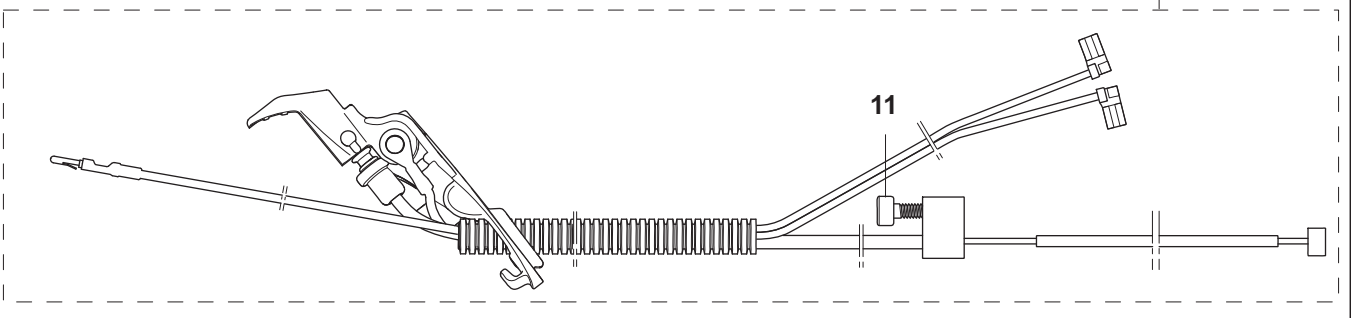
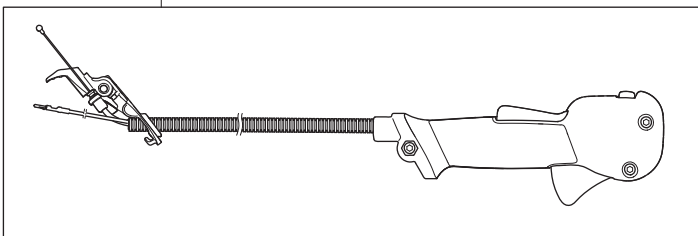
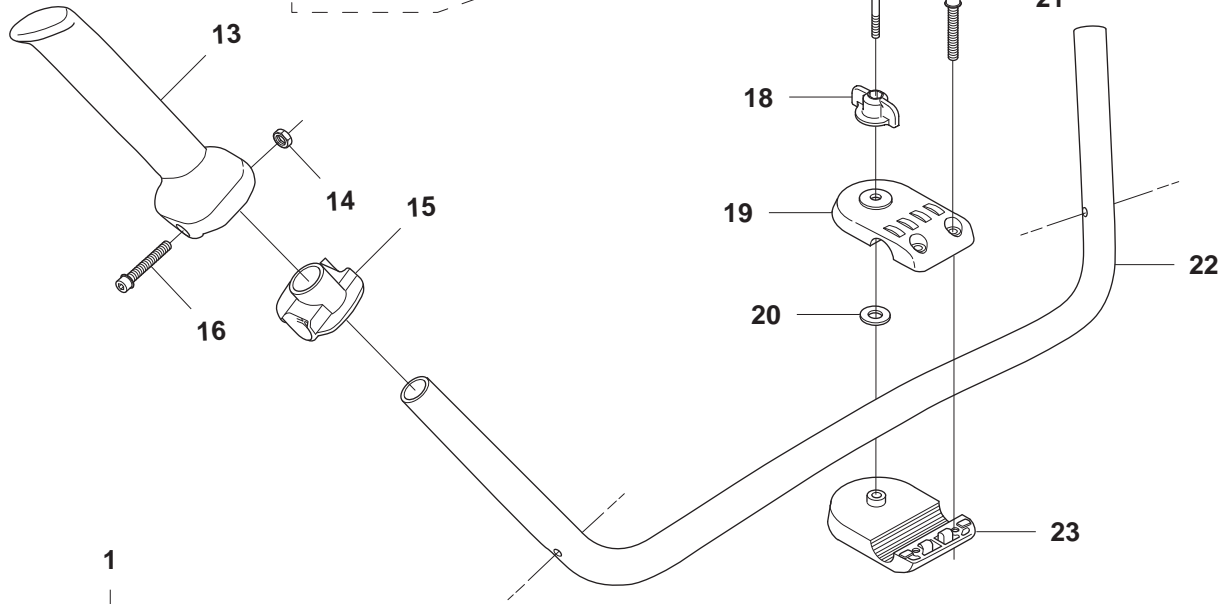
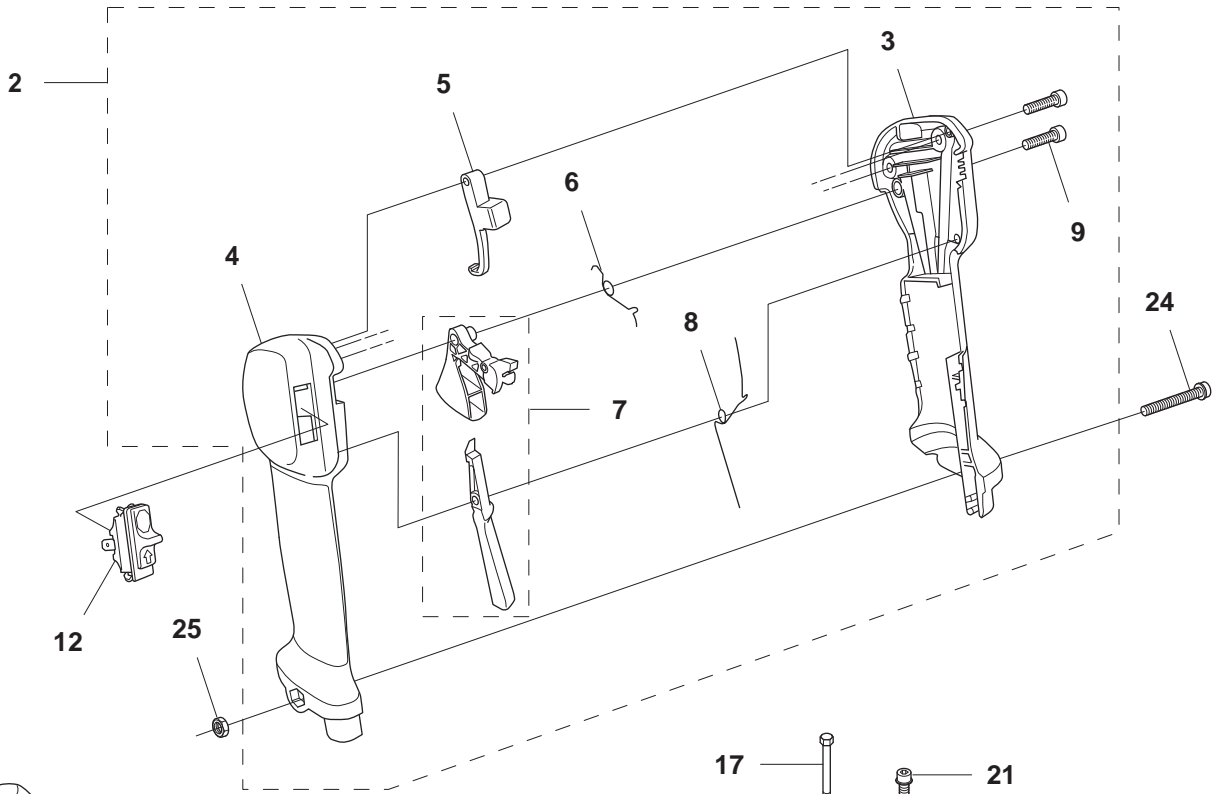




SUSPENSION

Position	Article	Quantity	Notes	Kit
1	503 20 02-16	2		
2	503 95 53-04	1		
3	503 22 10-12	2		
4	503 20 02-25	2		
5	537 29 97-01	2		
6	503 95 59-07	1	FC, FCW, CC	
7	502 19 71-01	1		
8	503 85 73-02	1		
9	537 20 18-01	1		
10	537 19 79-01	1		
11	537 27 11-02	1		
12	503 20 02-20	1		
13	503 22 65-01	1		

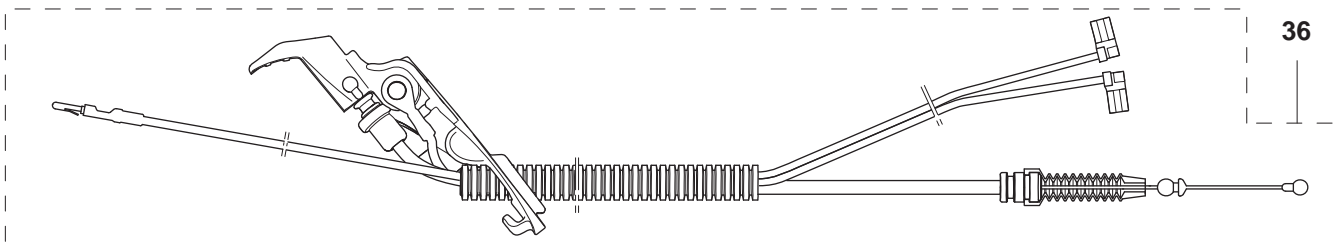
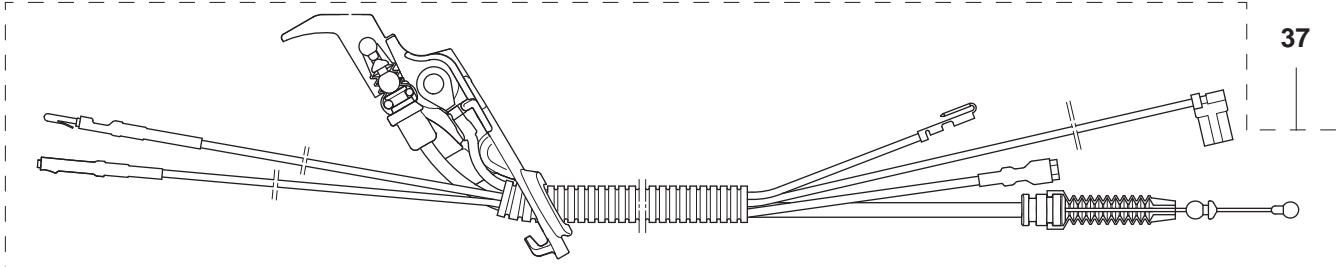
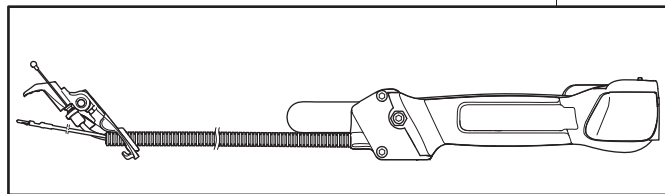
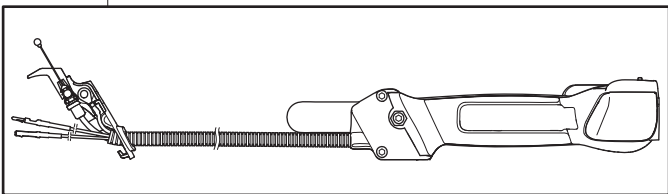
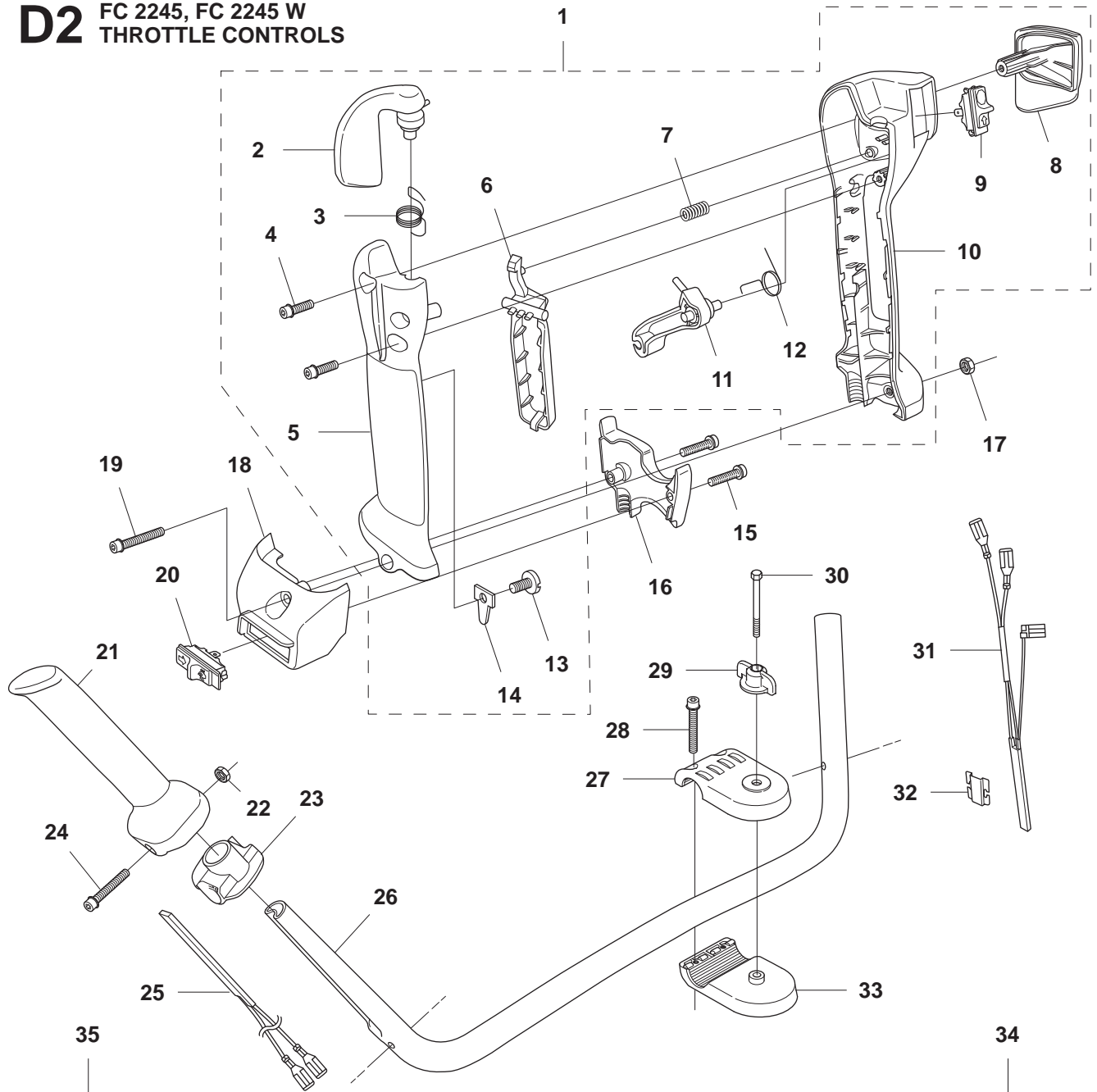
# D1 CC 2245 THROTTLE CONTROLS



## THROTTLE CONTROLS

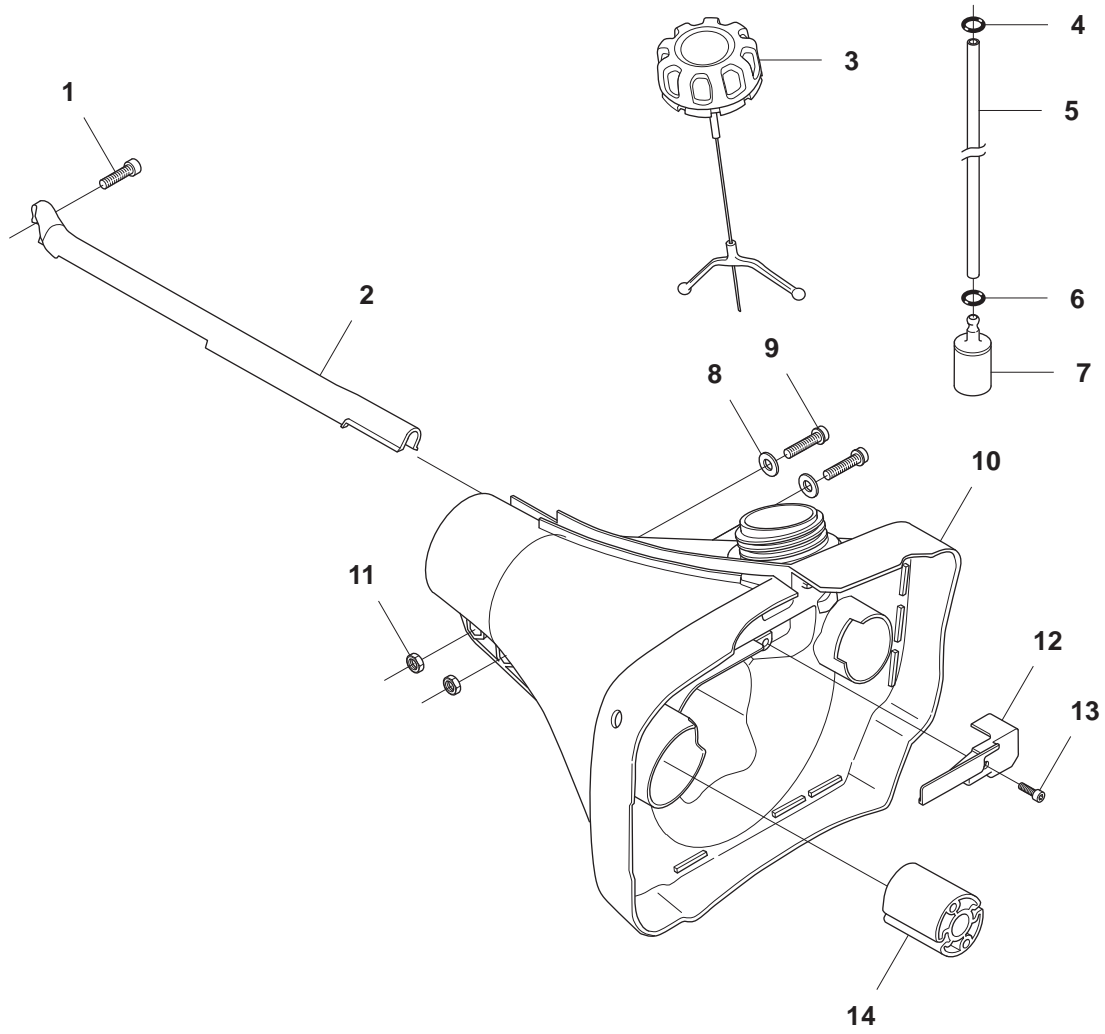
Position	Article	Quantity	Notes	Kit
1	577 07 19-01	1		
2	504 20 98-05	1		1
3	537 18 08-12	1		1, 2
4	537 18 07-12	1		1, 2
5	537 16 07-02	1		1, 2
6	537 17 42-01	1		1, 2
7	506 49 77-02	1		1, 2
8	537 17 43-01	1		1, 2
9	503 21 66-18	2		1, 2
10	525 41 98-02	1		1
11	503 21 66-16	1		1, 10
12	537 41 90-01	1		
13	537 17 28-03	1		
14	731 23 14-05	1		
15	537 17 29-02	1		
16	503 20 02-45	1		
17	734 11 54-41	1		
18	502 20 38-01	1		
19	537 12 90-01	1		
20	502 28 21-01	1		
21	503 20 02-25	2		
22	505 43 33-03	1		
23	537 12 91-01	1		
24	503 20 07-35	1		
25	503 22 10-13	1		

# D2 FC 2245, FC 2245 W THROTTLE CONTROLS



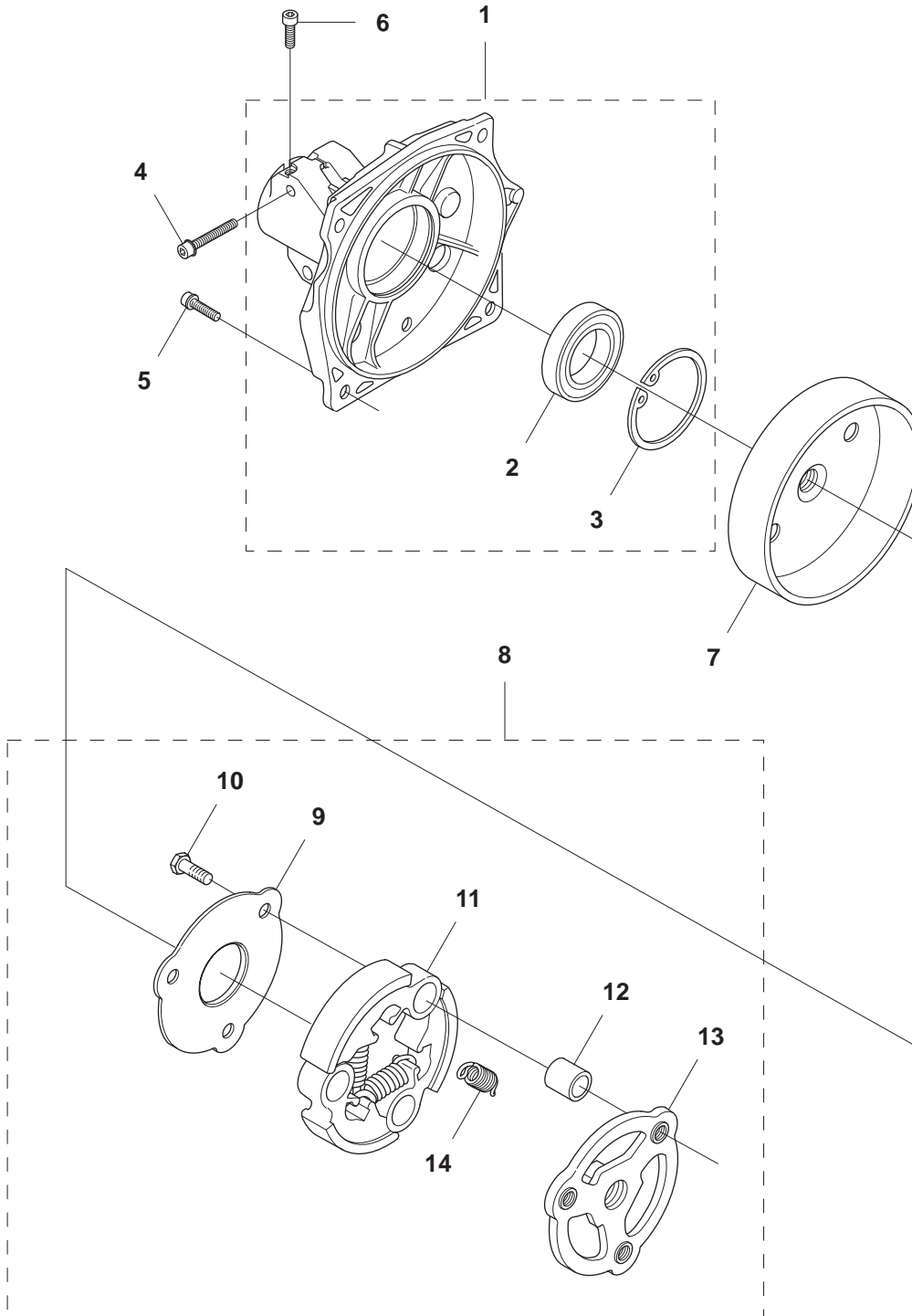
Position	Article	Quantity	Notes	Kit
1	537 19 72-13	1		34, 35
2	537 26 34-01	1		1, 34, 35
3	537 28 37-01	1		1, 34, 35
4	503 21 75-20	2		1, 34, 35
5	537 15 53-01	1		1, 34, 35
6	537 15 56-01	1		1, 34, 35
7	537 19 97-01	1		1, 34, 35
8	537 18 24-01	1		1, 34, 35
9	537 41 90-01	1		1, 34, 35
10	537 15 52-01	1		1, 34, 35
11	537 26 35-01	1		1, 34, 35
12	537 34 27-01	1		1, 34, 35
13	503 21 70-10	1		1, 34, 35
14	537 25 11-01	1		1, 34, 35
15	503 21 71-20	2	FCW	35
16	537 20 16-01	1	FCW	35
17	731 23 14-05	1		
18	537 20 15-01	1	FCW	35
19	503 20 02-35	1		
19	503 20 02-45	1	FCW	35
20	503 71 82-02	1	FCW	35
21	537 17 28-05	1		
22	731 23 14-05	1		
23	537 17 29-02	1		
24	503 20 02-45	1		
25	537 22 72-01	1	FCW	35
26	503 95 86-01	1		
26	503 95 86-02	1		
27	537 12 90-02	1		
28	503 20 02-25	2		
29	502 20 38-01	1		
30	725 23 82-85	1		
31	537 22 71-01	1	FCW	35
32	537 26 51-01	2	FCW	35
33	537 12 91-01	1		
34	577 00 03-01	1	FC	
35	577 00 03-02	1	FCW	
36	525 43 75-01	1	FC	34
37	525 43 75-02	1	FCW	35

**E** FC 2245, FC 2245 W, CC 2245  
FUEL TANK



Position	Article	Quantity	Notes	Kit
1	503 20 02-16	1		
2	537 17 25-02	1		
2	537 17 25-01	1		
3	544 07 69-02	1		
4	537 18 49-01	1		
5	544 32 49-32	1		
6	537 18 49-01	1		
7	503 44 32-01	1		
8	503 23 00-11	2		
9	503 20 02-16	2		
10	503 94 93-01	1		
11	503 22 10-12	2		
12	537 21 99-01	1		
13	503 21 71-16	1		
14	510 20 87-01	2		

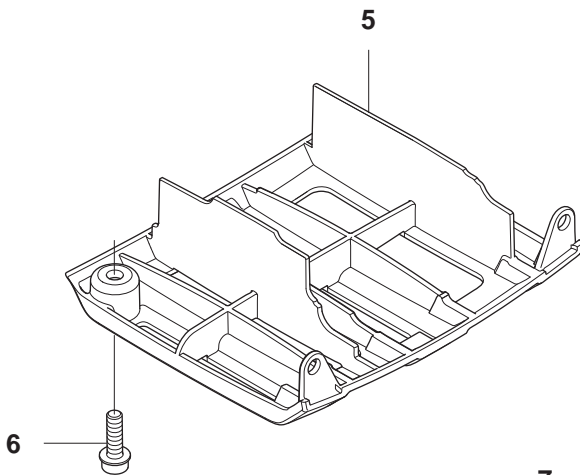
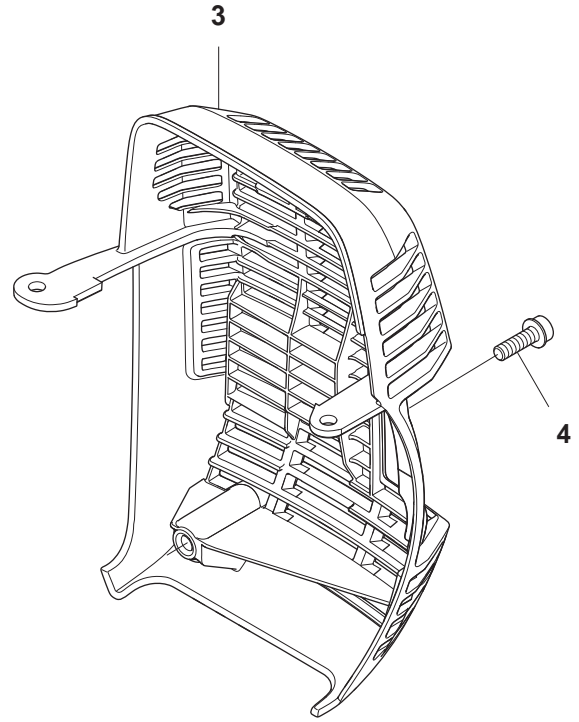
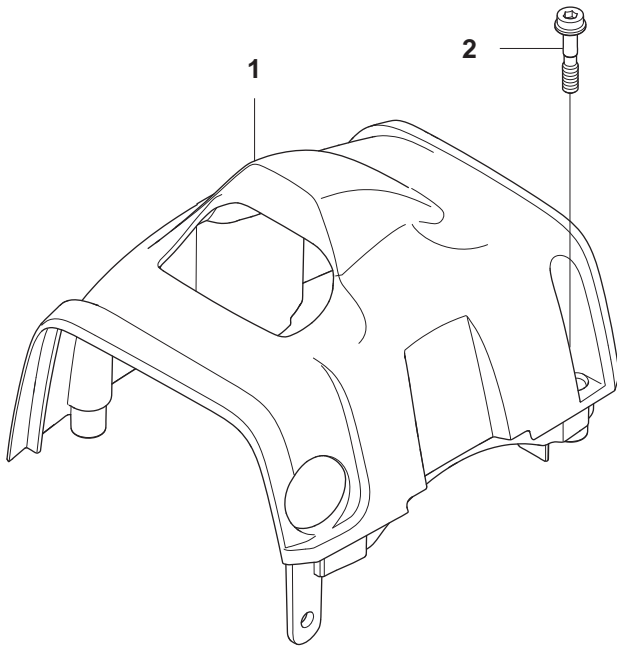
**F** FC 2245, FC 2245 W, CC 2245  
CLUTCH





Position	Article	Quantity	Notes	Kit
1	503 95 41-03	1		
2	738 22 02-19	1		1
3	735 31 33-10	1		1
4	503 20 02-30	2		
5	503 20 02-20	4		
6	503 20 20-01	1		
7	544 90 07-01	1		
8	503 95 35-01	1		
9	537 13 53-01	1		8
10	503 20 18-18	3		8
11	503 95 36-01	3		8
12	537 13 54-01	3		8
13	503 95 37-01	1		8
14	505 43 53-01	3	ø1.7mm	8

**G** FC 2245, FC 2245 W, CC 2245  
CYLINDER COVER

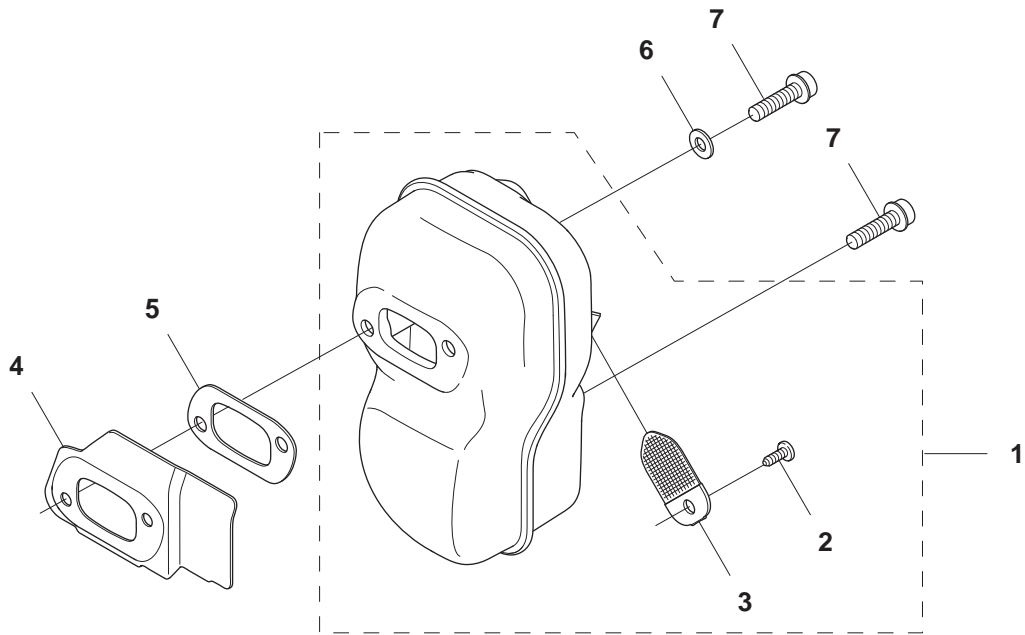


- 7 — FC 2245
- 8 — FC 2245 W
- 9 — CC 2245

## CYLINDER COVER

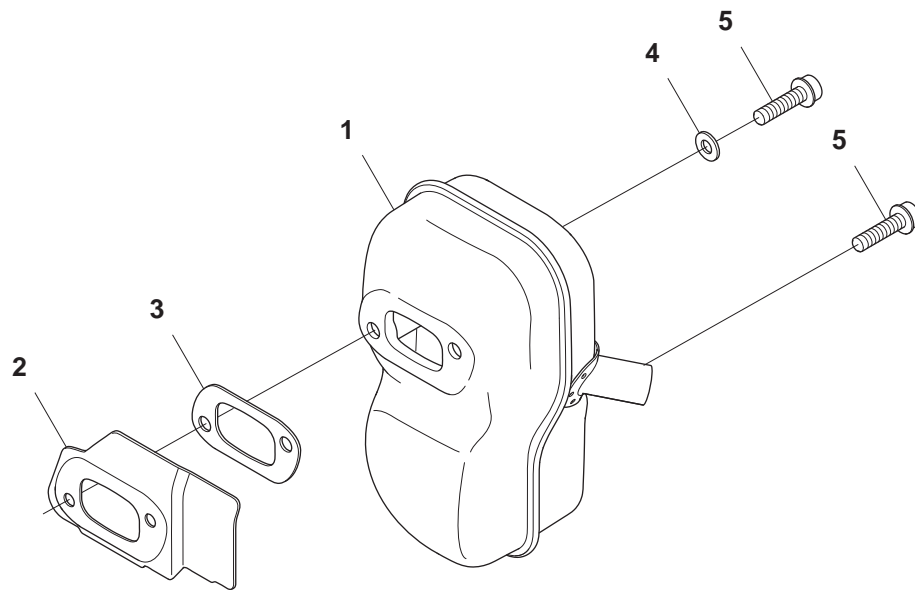
Position	Article	Quantity	Notes	Kit
1	522 52 83-01	1		
2	573 99 43-04	3	Captive Screw	
3	576 92 00-02	1		
4	503 20 07-74	1		
5	510 42 22-02	1		
6	503 20 07-74	2		
7	504 06 15-09	1	FC	
8	504 06 15-10	1	FCW	
9	504 06 15-11	1	CC	

**H1** FC 2245, FC 2245 W, CC 2245  
MUFFLER, FF



Position	Article	Quantity	Notes	Kit
1	522 60 98-01	1	CAT	
2	724 12 87-59	1		1
3	522 60 95-01	1		1
4	522 93 87-01	1		
5	522 95 44-01	1		
6	503 23 04-02	1		
7	503 20 07-76	3		

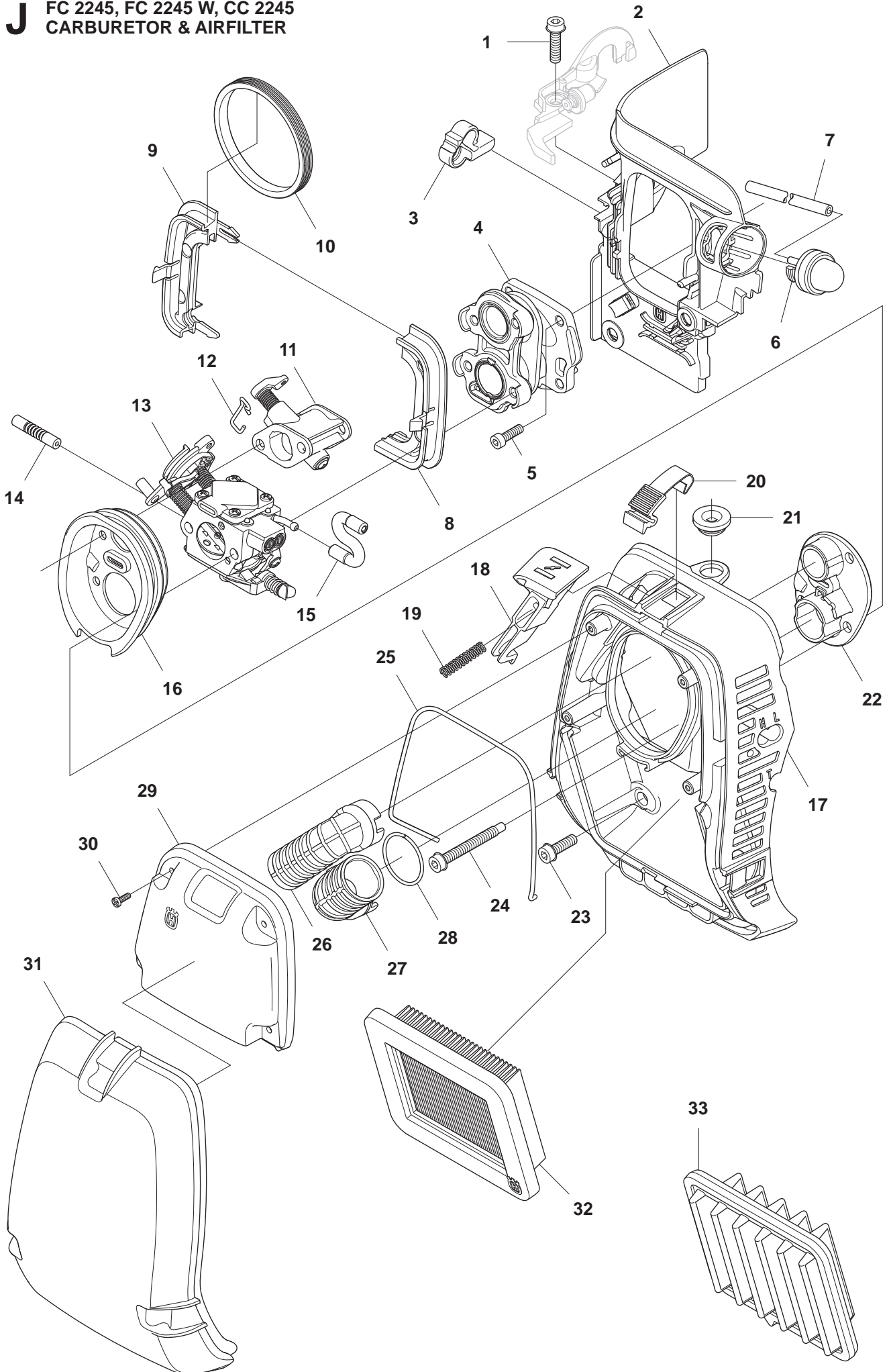
**H2** FC 2245, FC 2245 W, CC 2245  
MUFFLER, PIPE



MUFFLER, PIPE

Position	Article	Quantity	Notes	Kit
1	522 80 12-01	1		
2	522 93 87-01	1		
3	522 95 44-01	1		
4	503 23 04-02	1		
5	503 20 07-76	3		

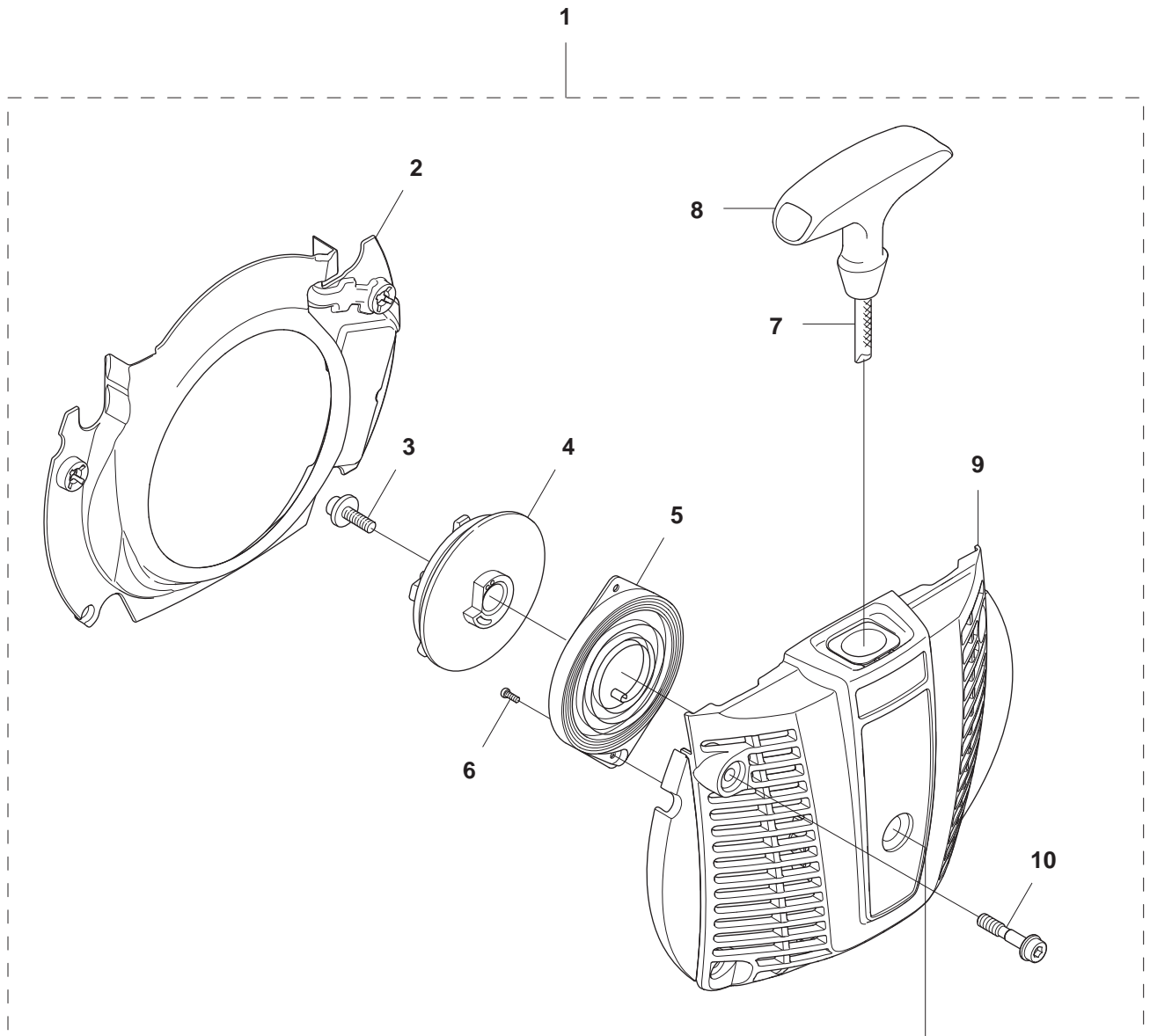
**J** FC 2245, FC 2245 W, CC 2245  
CARBURETOR & AIRFILTER





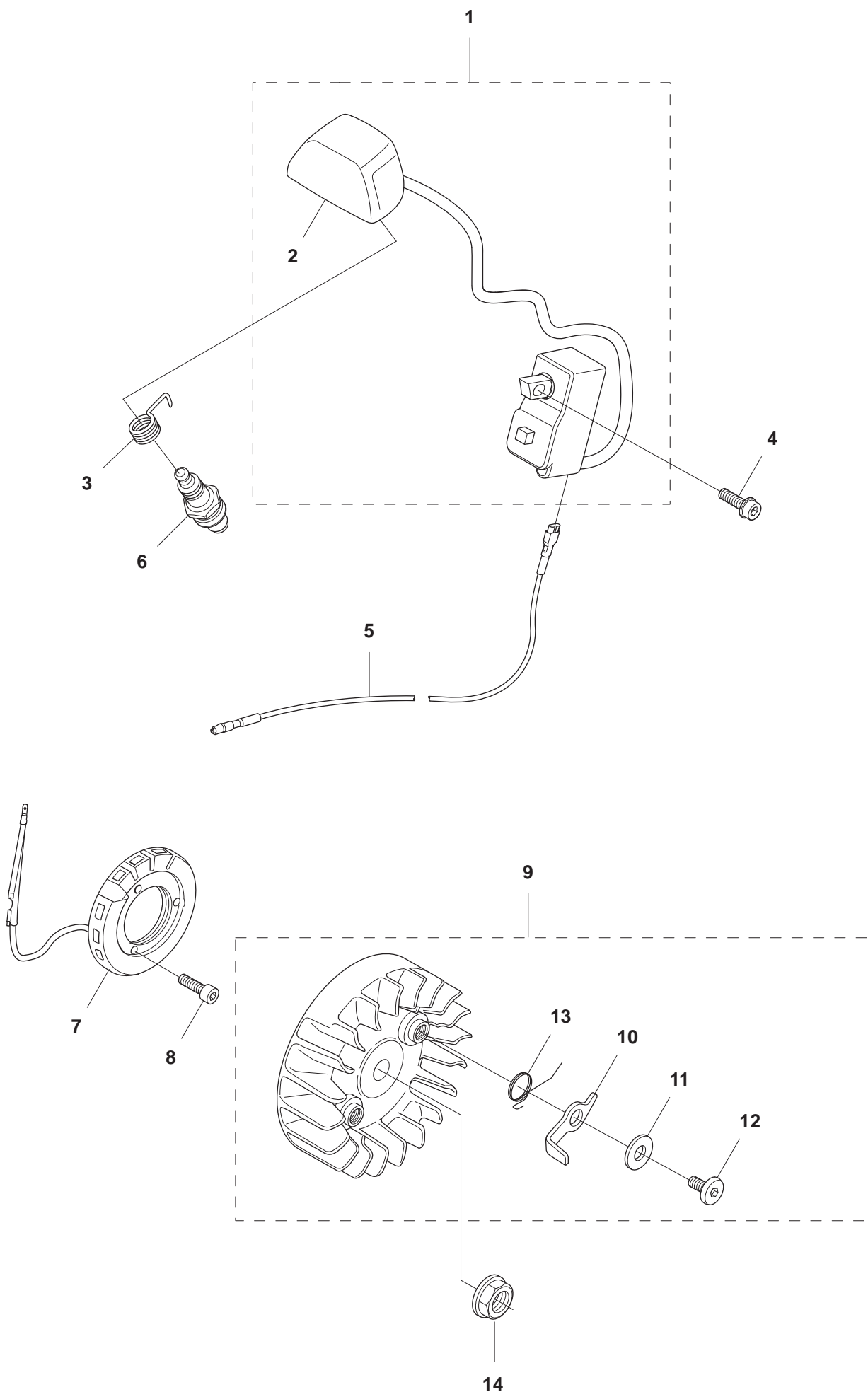
Position	Article	Quantity	Notes	Kit
1	503 20 07-76	1		
2	525 28 92-01	1		
3	575 23 95-01	1		
4	574 44 03-01	1		
5	503 20 25-16	4		
6	503 93 66-01	1		
7	537 04 24-07	1		
8	576 12 27-01	1		
9	576 12 37-01	1		
10	576 22 37-01	1		
11	574 29 79-01	1		
12	522 54 33-01	1		
13	574 32 91-01	1		
14	515 98 80-01	1		
15	523 05 68-01	1		
16	574 85 12-01	1		
17	523 04 48-02	1		
18	522 44 99-01	1		
19	524 85 30-01	1		
20	503 74 01-02	3		
21	537 01 65-01	1		
22	574 85 13-01	1		
23	503 20 07-74	2		
24	537 31 60-01	4		
25	503 26 32-04	1		
26	576 46 62-01	1		
27	576 47 58-01	1		
28	576 47 59-01	1		
29	575 23 74-01	1		
30	503 21 29-10	4		
31	510 18 97-02	1		
32	574 66 80-01	1		
33	537 41 08-01	1		

**K** FC 2245, FC 2245 W, CC 2245  
STARTER



Position	Article	Quantity	Notes	Kit
1	573 96 09-01	1		
2	510 20 50-01	1		1
3	503 21 69-16	1		1
4	503 95 73-01	1		1
5	502 20 06-01	1		1
6	503 21 29-10	2		1
7	505 30 51-25	1		1
8	544 37 65-01	1		1
9	522 93 60-01	1		1
10	573 99 43-04	4	Captive Screw	1
11	504 06 14-01	1		

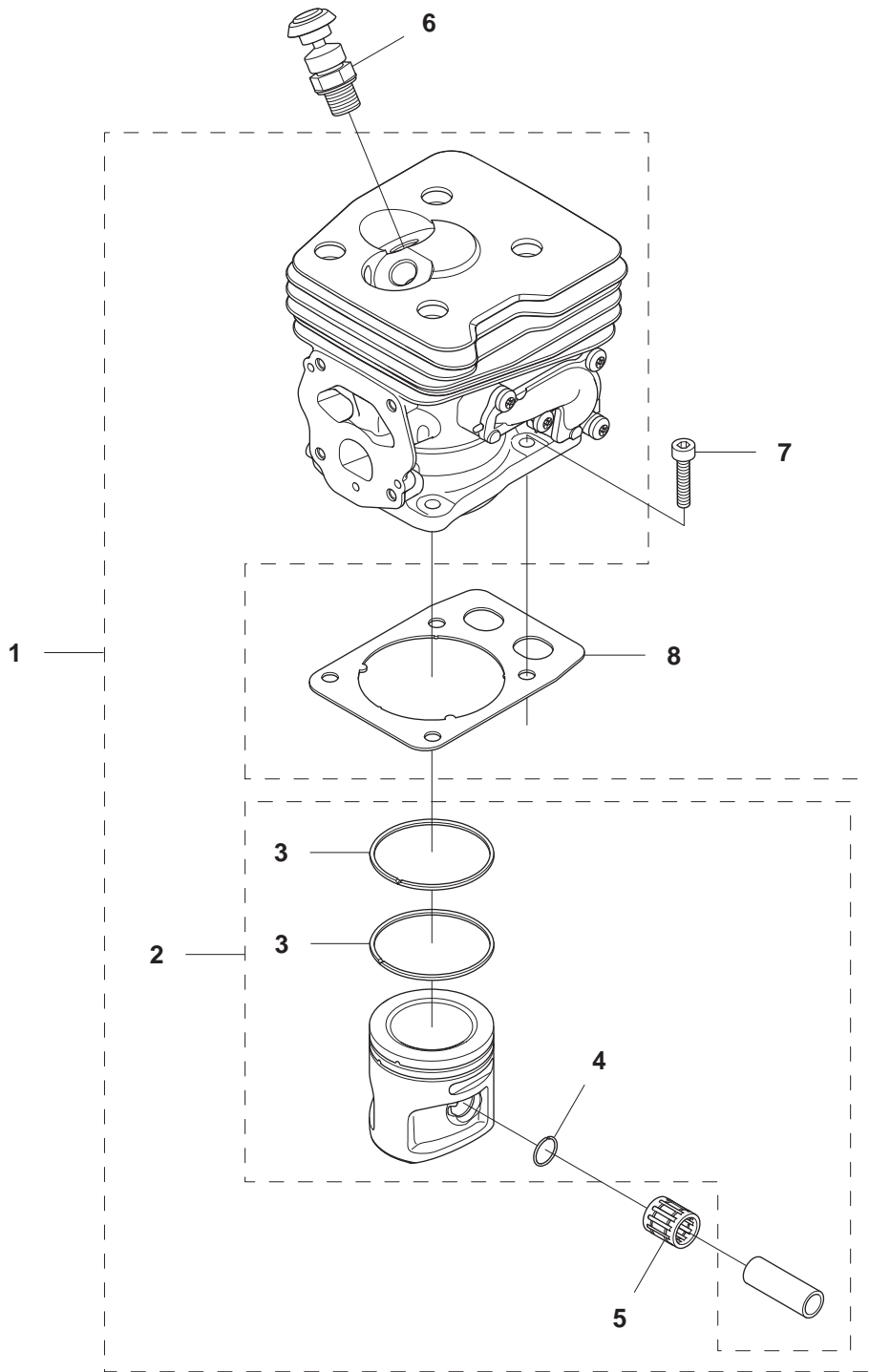
**L** FC 2245, FC 2245 W, CC 2245  
**IGNITION SYSTEM**



## IGNITION SYSTEM

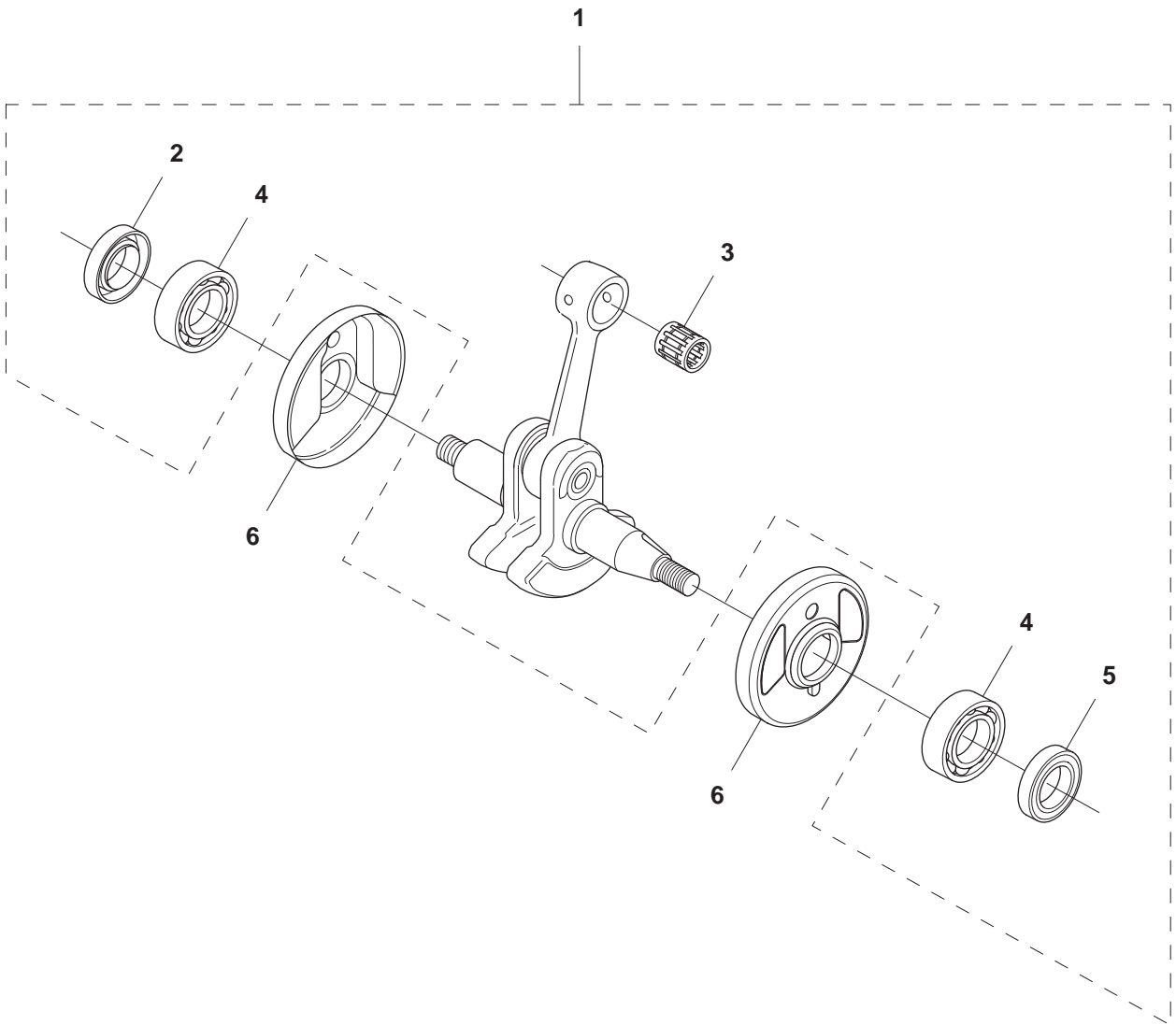
Position	Article	Quantity	Notes	Kit
1	525 85 00-01	1	CC	
1	525 85 00-02	1	FC, FCW	
2	537 23 73-01	1		1
3	501 48 56-01	1		
4	503 20 07-74	2		
5	525 85 84-01	1		
6	574 51 96-01	1		
7	537 25 63-01	1		
8	503 21 66-18	2		
9	503 95 33-01	1		
9	503 95 33-02	1		
10	503 81 24-01	2		9
11	503 23 00-42	2		9
12	501 81 99-03	2		9
13	503 81 29-01	2		9
14	503 22 04-01	1		

**M** FC 2245, FC 2245 W, CC 2245  
CYLINDER & PISTON



Position	Article	Quantity	Notes	Kit
1	577 27 49-01	1		
2	522 62 63-02	1		1
3	522 62 65-01	2		1, 2
4	737 44 10-00	2		1, 2
5	503 25 63-01	1		1
6	544 20 00-01	1		
7	725 53 31-55	4		
8	521 90 81-01	1		

**N** FC 2245, FC 2245 W, CC 2245  
CRANK SHAFT

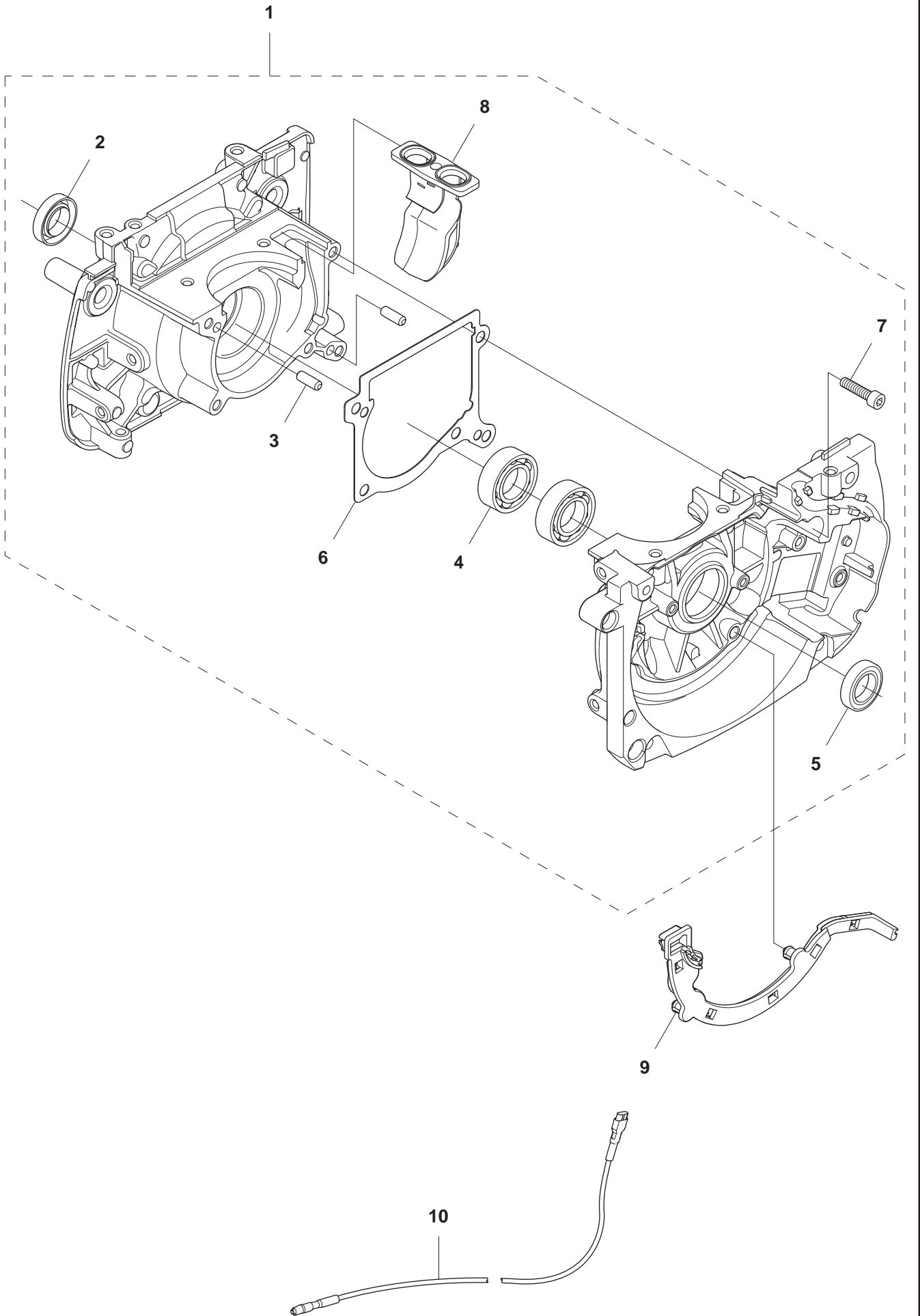




CRANK SHAFT

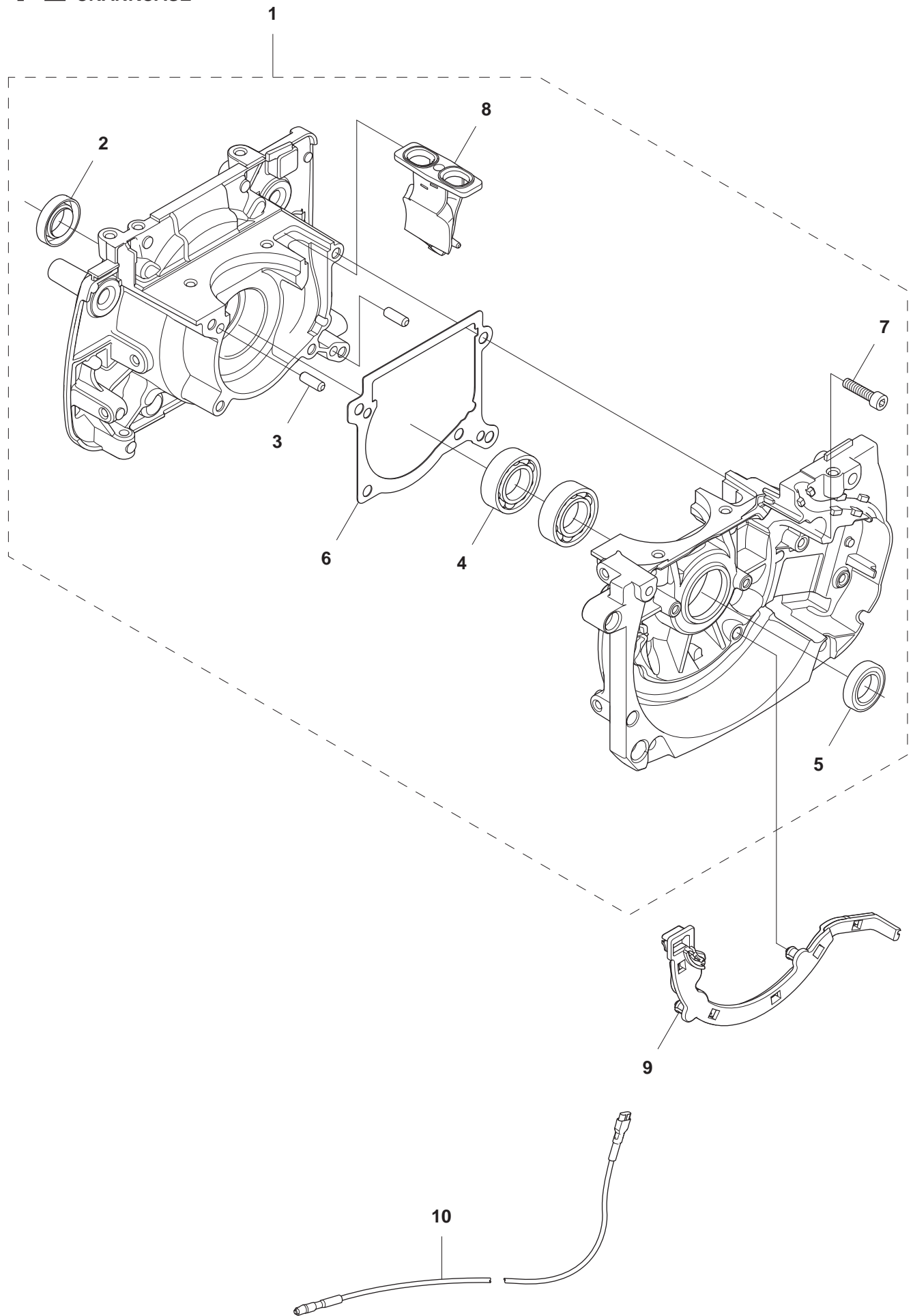
Position	Article	Quantity	Notes	Kit
1	577 27 48-01	1		
2	577 32 49-01	1		1
3	503 25 63-01	1		1
4	503 25 08-01	2		1
5	505 27 57-19	1		1
6	537 15 85-01	2		

**P1** FC 2245, FC 2245 W  
CRANKCASE

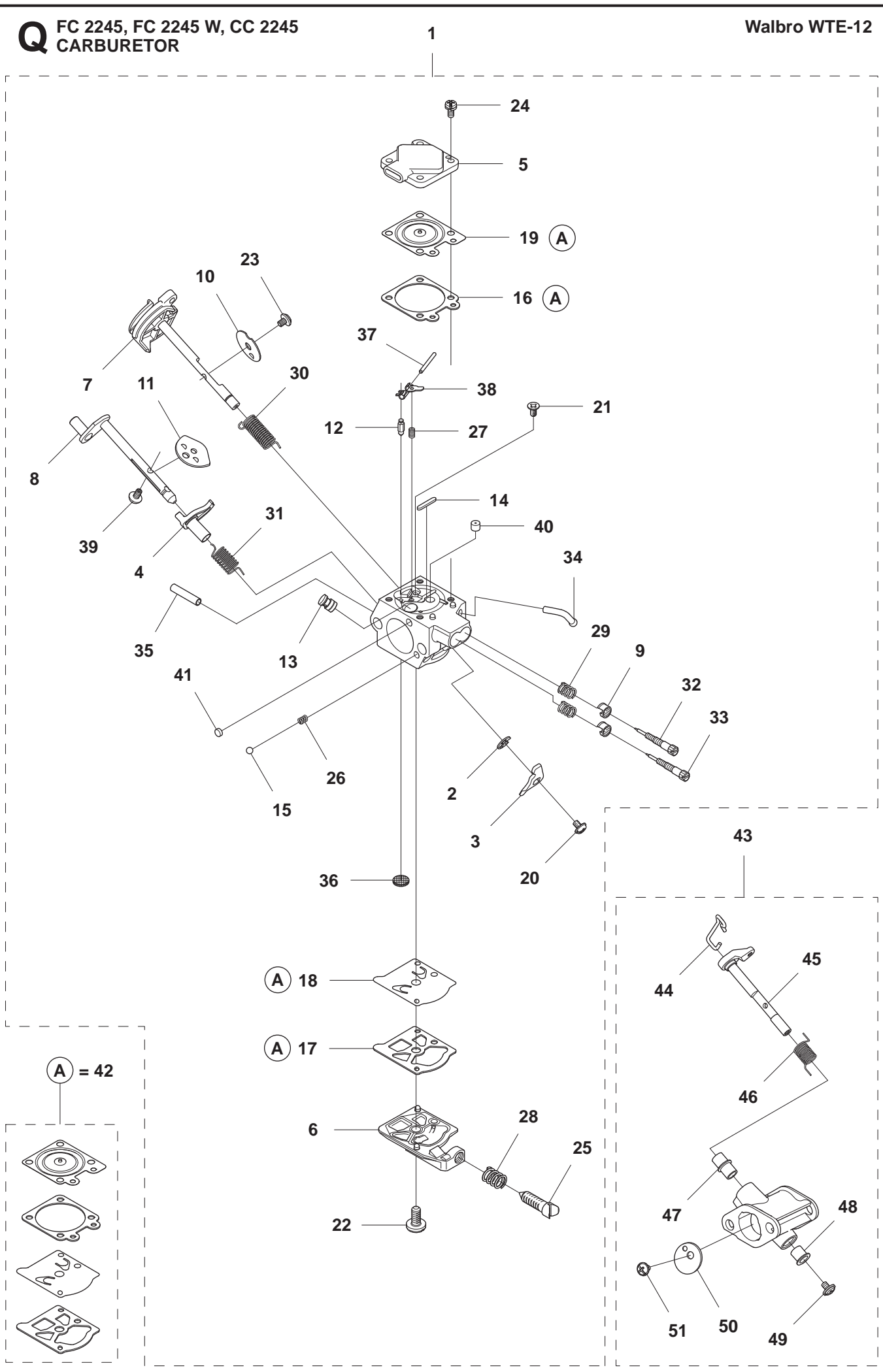


Position	Article	Quantity	Notes	Kit
1	577 27 47-01	1		
2	577 32 49-01	1		1
3	720 13 07-10	2		1
4	503 25 08-01	2		1
5	505 27 57-19	1		1
6	510 24 11-01	1		1
7	725 53 33-55	5		1
8	525 46 41 01	1		1
9	510 17 99-01	1		
10	525 85 84-01	1		

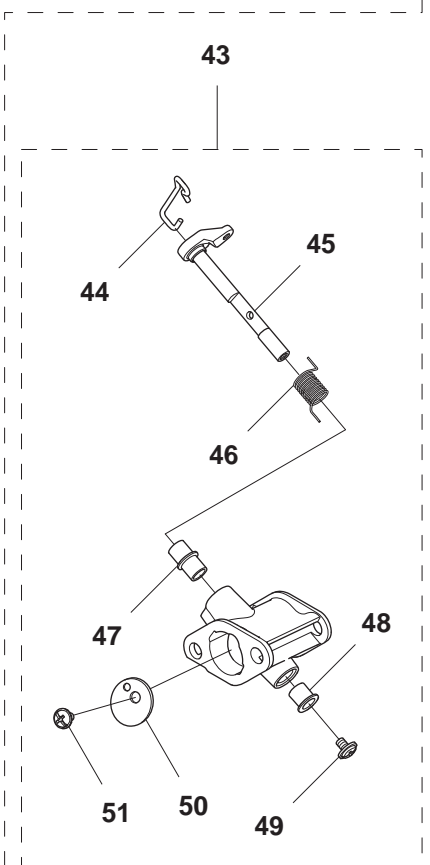
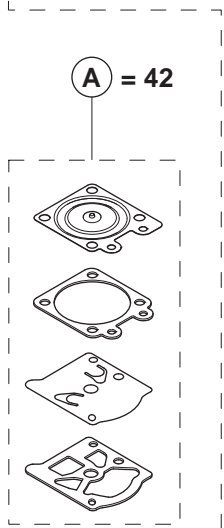
# P2 CC 2245 CRANKCASE



Position	Article	Quantity	Notes	Kit
1	577 27 47-02	1		
2	577 32 49-01	1		1
3	720 13 07-10	2		1
4	503 25 08-01	2		1
5	505 27 57-19	1		1
6	510 24 11-01	1		1
7	725 53 31-55	5		1
8	510 37 60-01	1		1
9	510 17 99-01	1		
10	525 85 84-01	1		



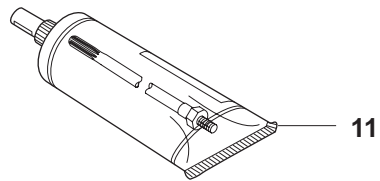
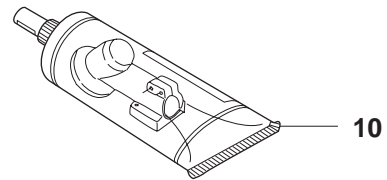
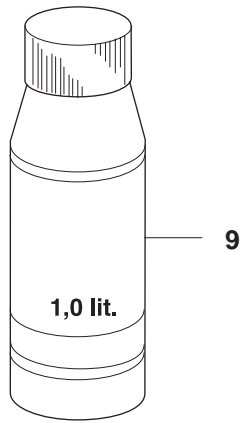
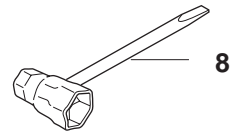
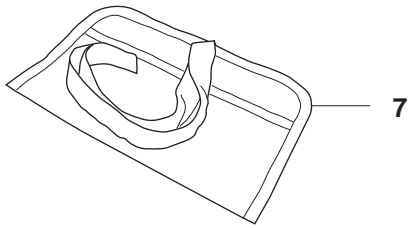
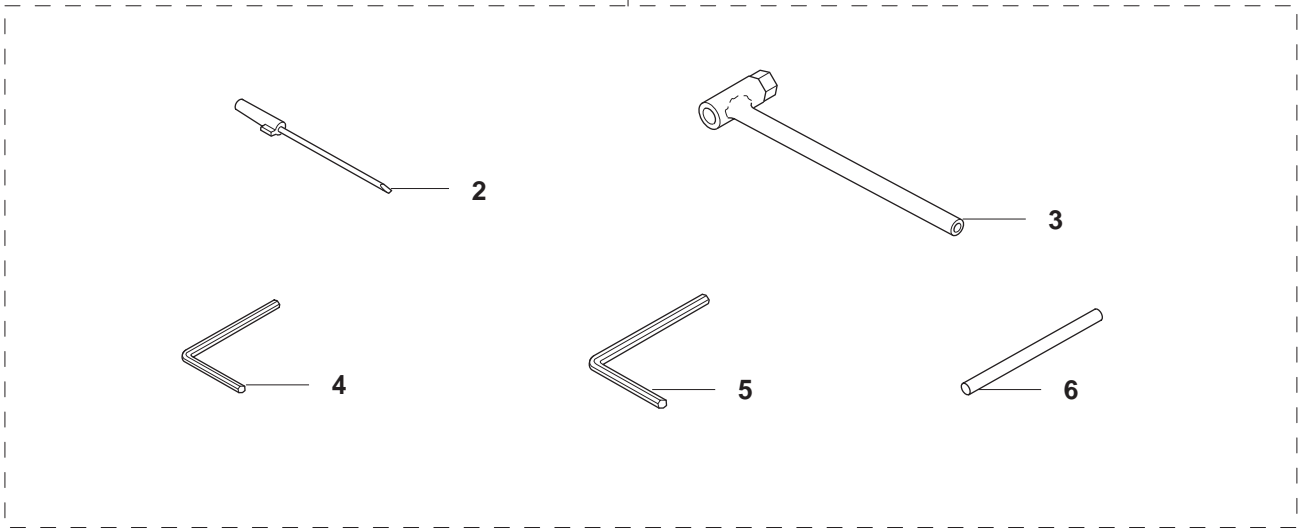
**A** = 42



Position	Article	Quantity	Notes	Kit
1	574 32 91-01	1	Walbro WTE 12	
2	505 31 67-36	1		1
3	575 46 37-01	1		1
4	544 17 77-01	1		1
5	574 35 81-01	1		1
6	503 58 43-01	1		1
7	577 01 67-01	1		1
8	544 04 40-01	1		1
9	544 97 08-01	2		1
10	503 93 51-01	1		1
11	537 10 96-01	1		1
12	503 56 34-01	1		1
13	502 84 68-01	1		1
14	502 84 69-01	1		1
15	501 46 85-01	1		1
16	504 35 09-06	1		1, 42
17	504 13 09-06	1		1, 42
18	577 01 66-01	1		1, 42
19	576 68 45-01	1		1, 42
20	501 46 87-01	1		1
21	502 84 71-01	1		1
22	501 46 69-01	1		1
23	537 00 34-01	1		1
24	537 00 31-01	4		1
25	537 40 82-01	1		1
26	501 46 84-01	1		1
27	501 79 59-01	1		1
28	501 66 78-01	1		1
29	525 75 54-01	2		1
30	544 17 76-01	1		1
31	544 97 11-01	1		1
32	502 84 72-01	1		1
33	502 84 73-01	1		1
34	577 01 68-01	1		1
35	544 97 16-01	1		1
36	501 66 61-01	1		1
37	505 52 01-25	1		1
38	502 84 74-01	1		1
39	544 11 15-01	1		1
40	505 42 69-01	1		1
41	503 57 43-01	1		1
42	515 99 96-01	1		
43	574 29 79-01	1		
44	522 54 33-01	1		43
45	574 32 39-01	1		43
46	544 97 18-01	1		43
47	501 02 19-01	1		43
48	501 02 20-01	1		43
49	503 51 55-01	1		43
50	522 54 35-01	1		43
51	537 00 34-01	1		43

**R1** FC 2245, FC 2245 W, CC 2245  
ACCESSORIES

1

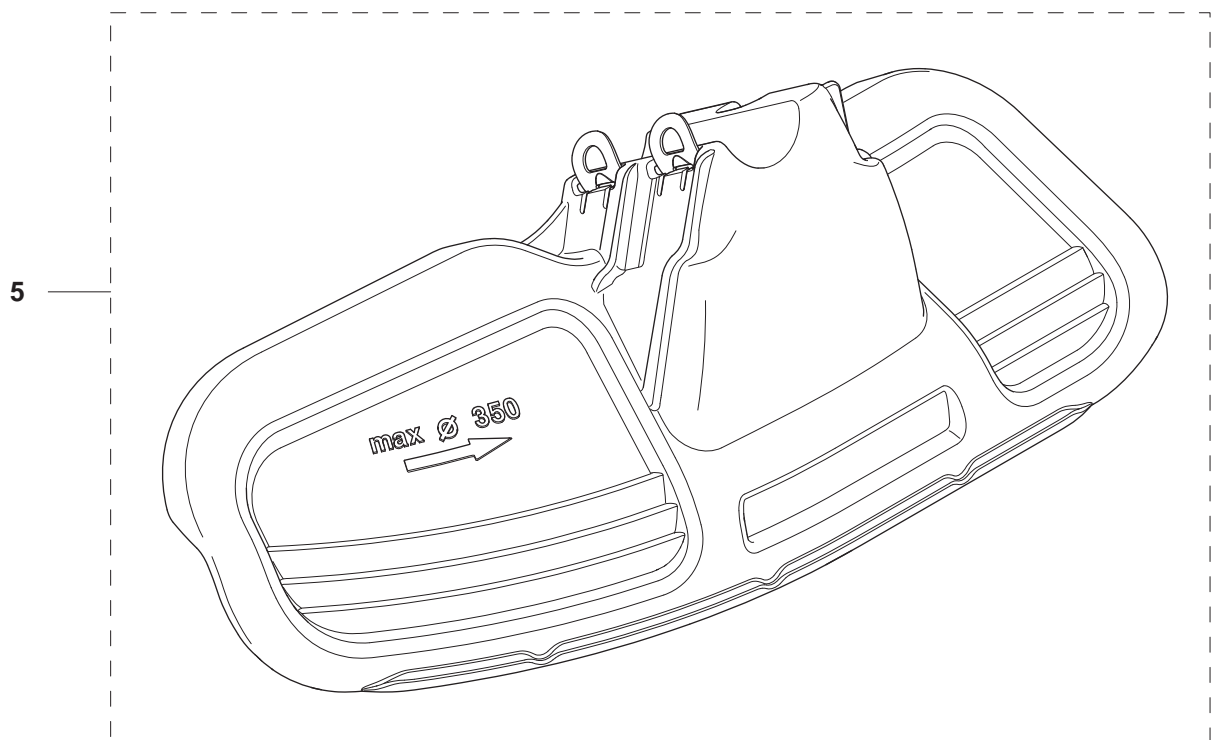
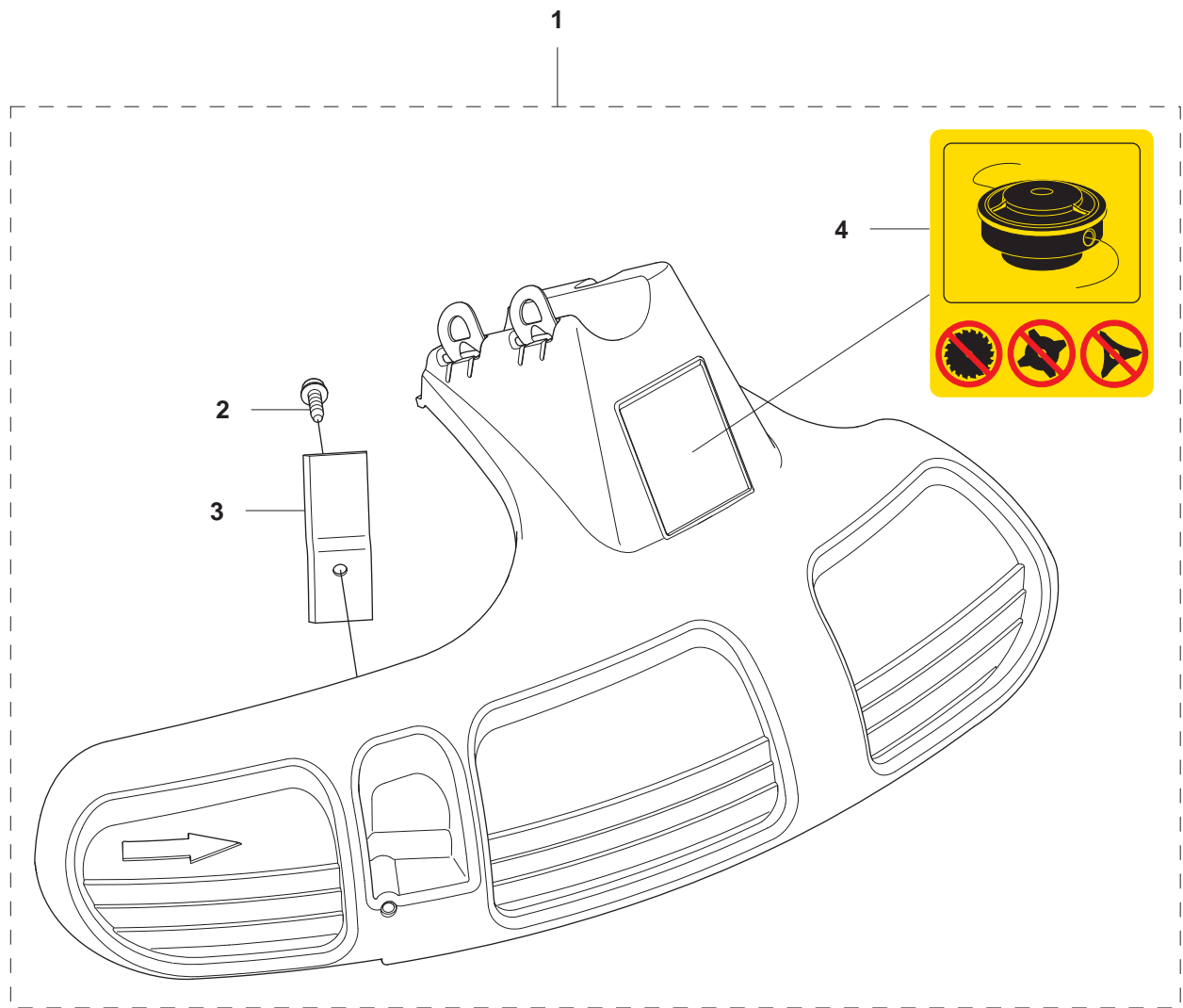




## ACCESSORIES

Position	Article	Quantity	Notes	Kit
1	502 21 60-13	1		
2	501 60 02-03	1		1
3	502 11 46-03	1		1
4	502 21 58-01	1	4 mm	1
5	503 55 86-02	1	5 mm	1
6	502 28 59-01	1		1
7	501 19 22-01	1		
8	537 36 21-01	1		
9	531 00 92-48	1		
10	503 97 64-01	1		
11	503 80 17-01	1		

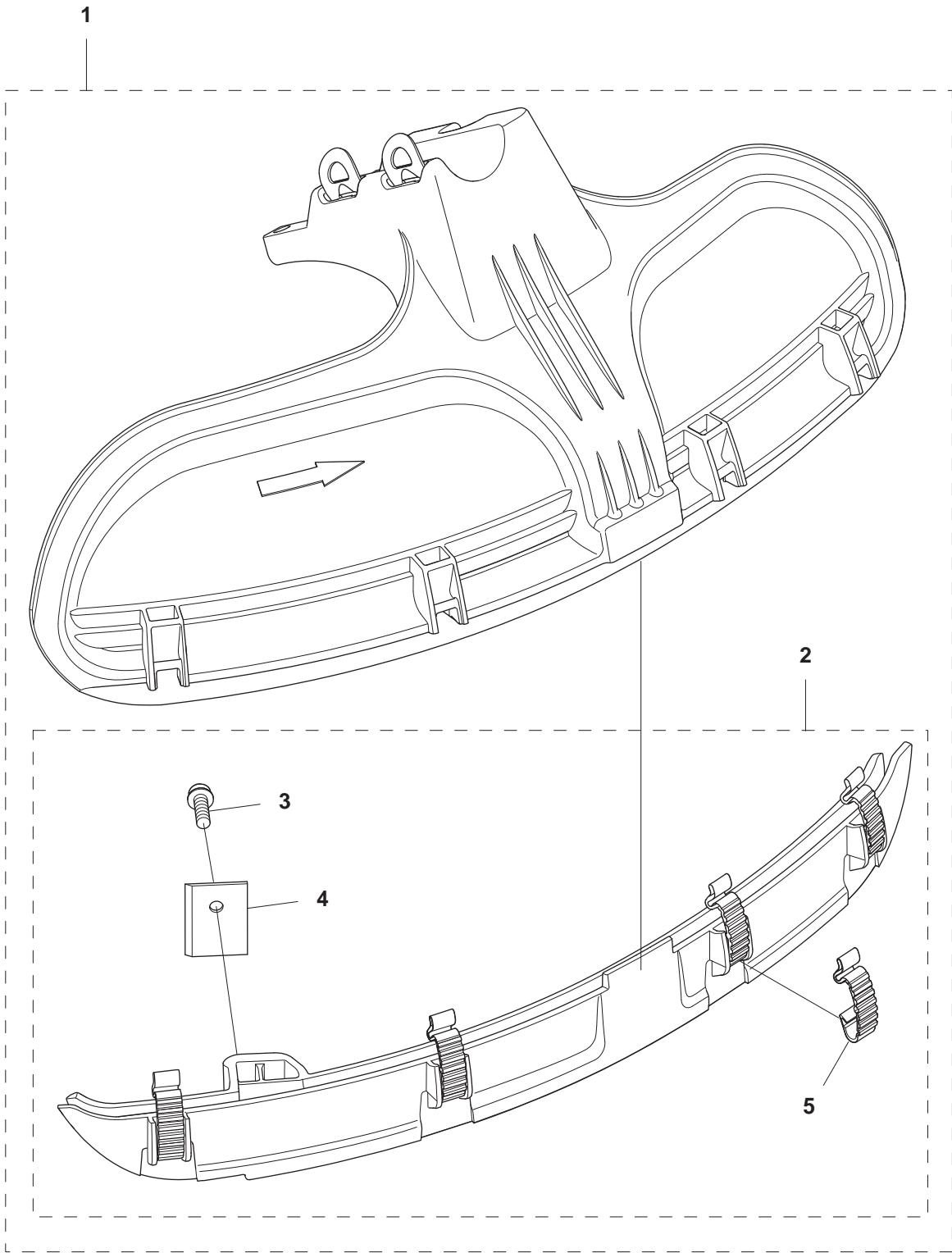
# R2 CC 2245 ACCESSORIES



ACCESSORIES

Position	Article	Quantity	Notes	Kit
1	503 95 43-01	1		
2	503 21 07-16	1		1
3	503 79 88-01	1		1
4	503 74 29-01	1		1
5	537 28 85-01	1		

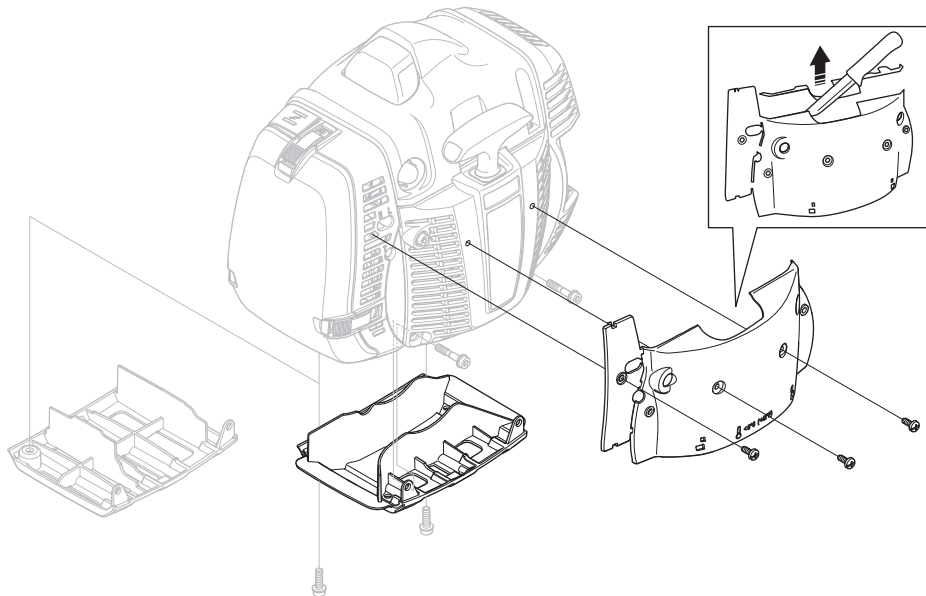
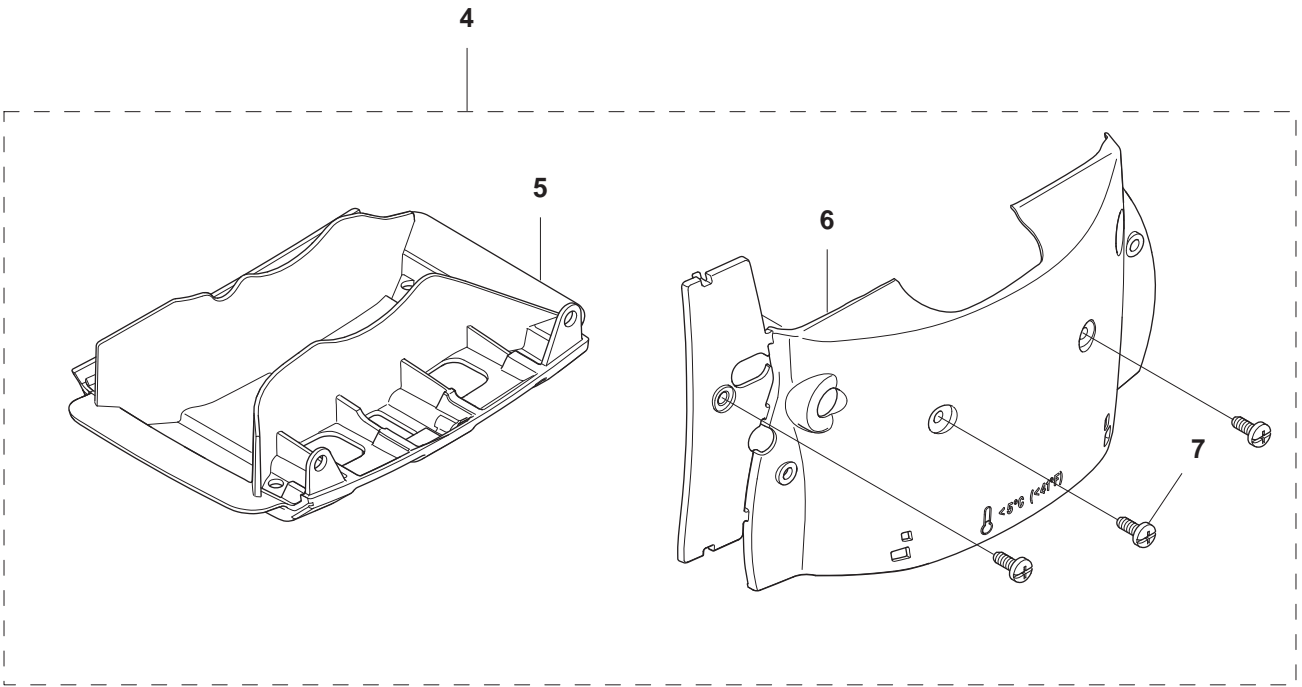
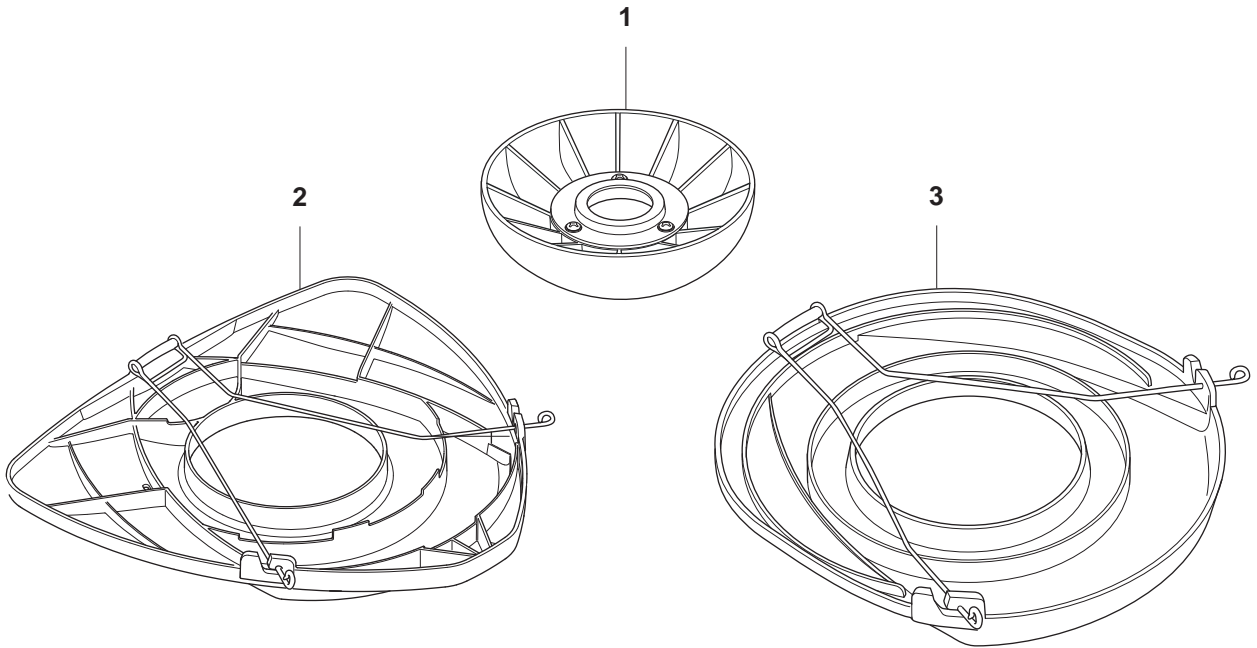
**R3** CC 2245  
ACCESSORIES



ACCESSORIES

Position	Article	Quantity	Notes	Kit
1	544 46 43-01	1		
2	537 39 63-01	1		1
3	503 21 07-16	1		1, 2
4	503 79 88-01	1		1, 2
5	537 38 72-01	4		1, 2

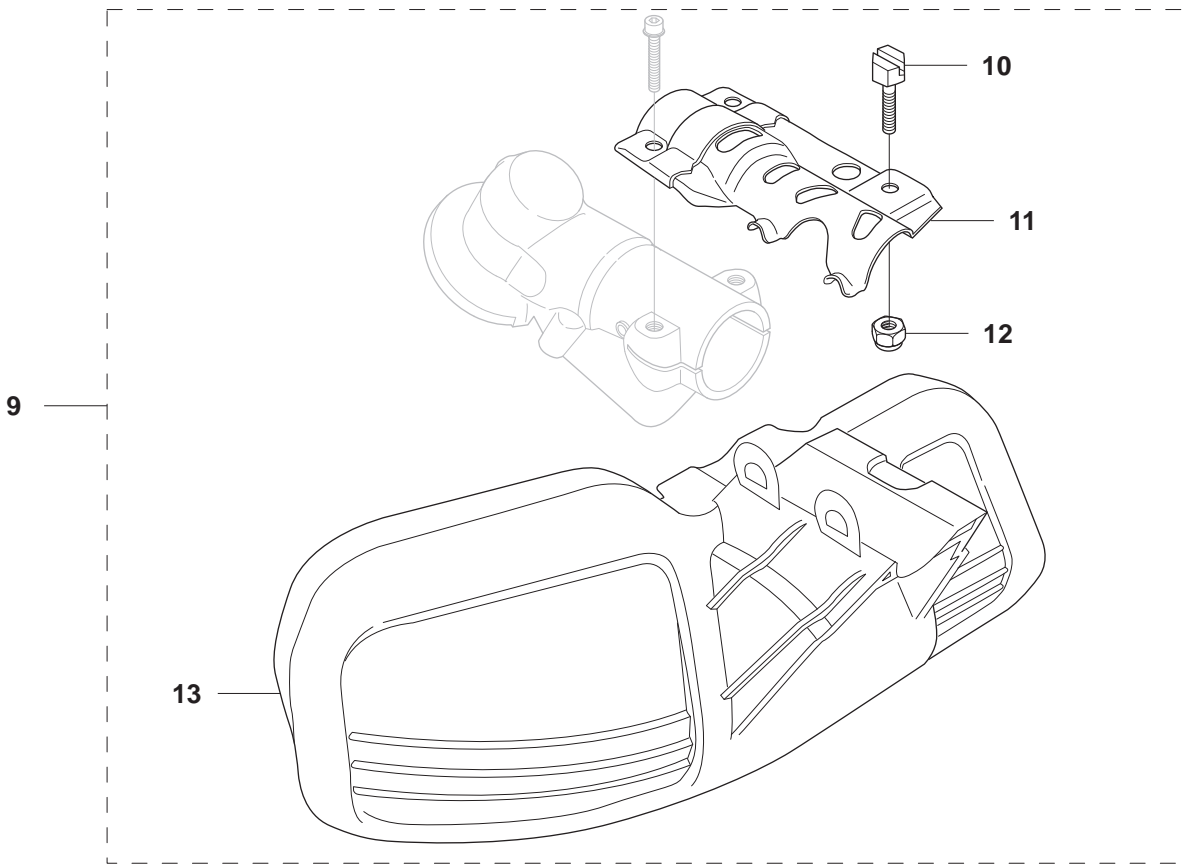
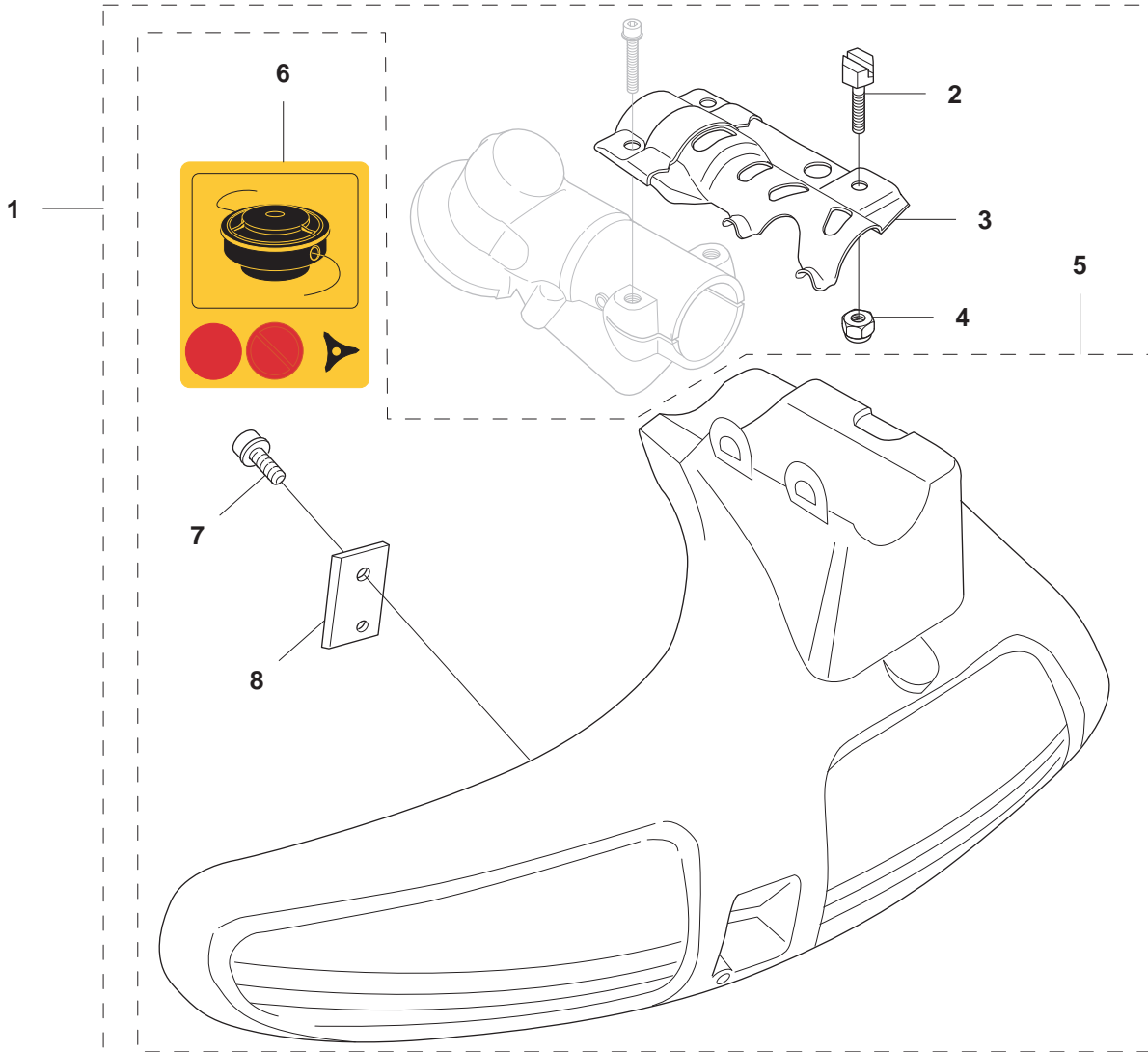
**R4** FC 2245, FC 2245 W, CC 2245  
ACCESSORIES



ACCESSORIES

Position	Article	Quantity	Notes	Kit
1	502 15 70-02	1		
2	544 35 91-01	1		
3	537 31 29-01	1		
4	577 04 39-02	1		
5	575 94 80-01	1		4
6	522 55 09-01	1		4
7	503 21 70-10	3		4

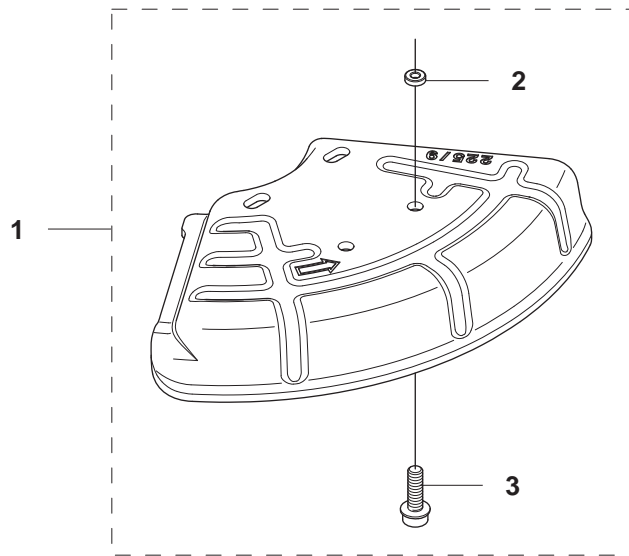
# R5 FC 2245, FC 2245 W ACCESSORIES





Position	Article	Quantity	Notes	Kit
1	537 29 73-01	1		
2	537 18 95-01	1		1
3	537 23 03-01	1		1
4	732 21 16-01	1		1
5	503 95 43-02	1		1
6	503 74 29-01	1		1, 5
7	503 21 07-16	1		1, 5
8	537 28 53-01	1		1, 5
9	537 29 74-01	1		
10	537 18 95-01	1		9
11	537 23 03-01	1		9
12	732 21 16-01	1		9
13	537 28 85-01	1		9

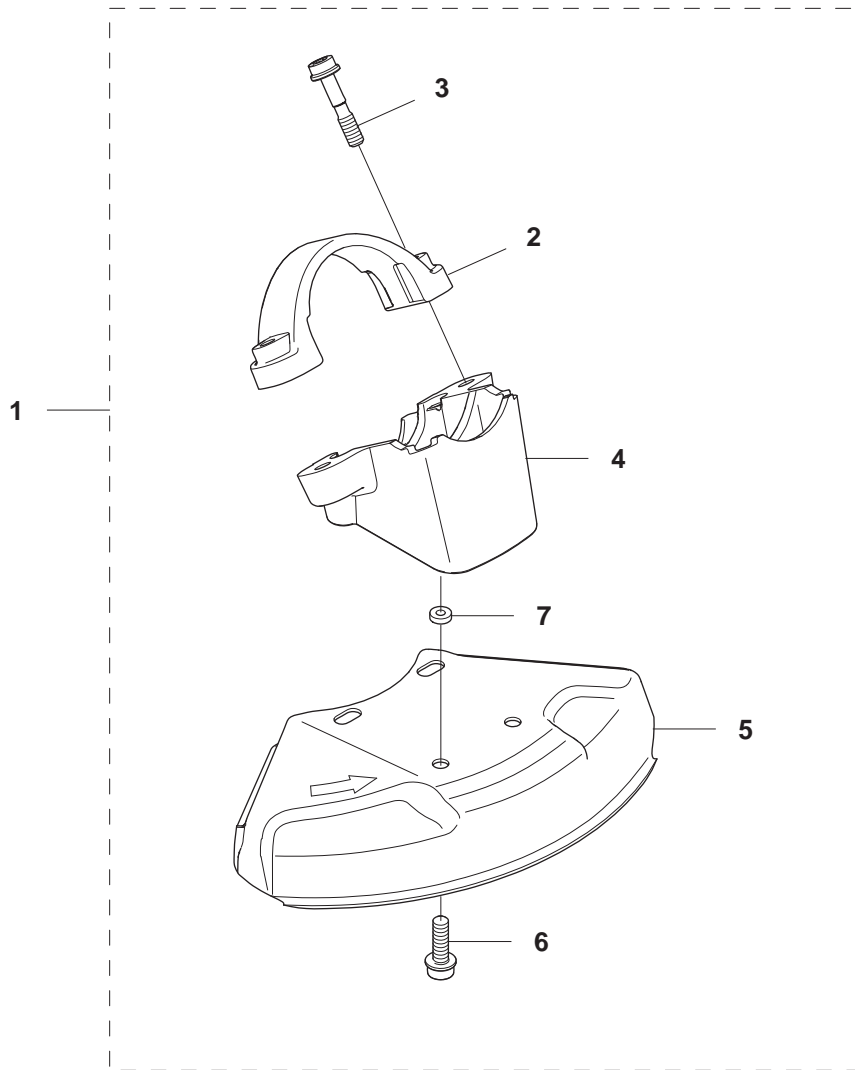
**R6** FC 2245, FC 2245 W  
ACCESSORIES



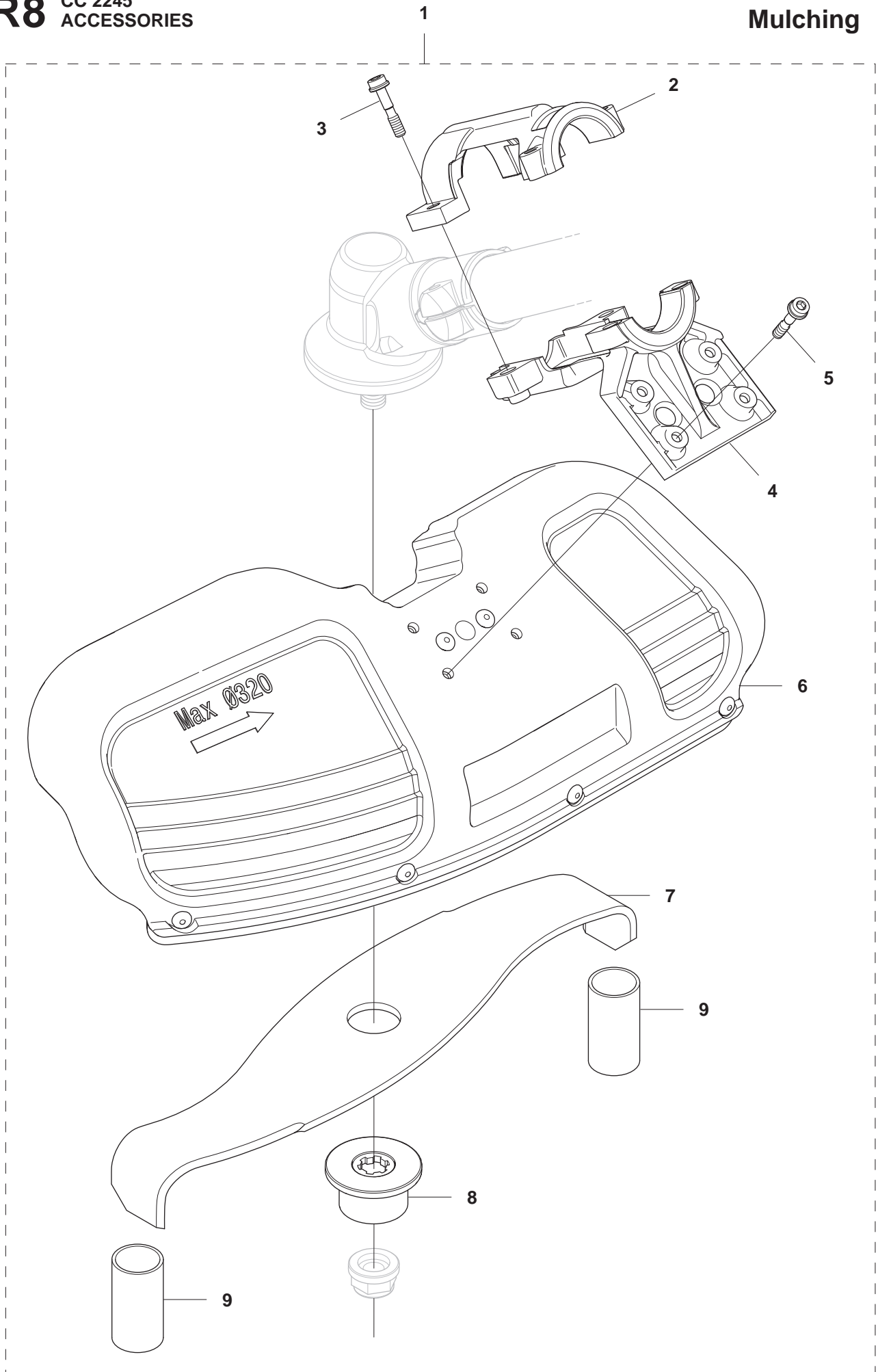
ACCESSORIES

Position	Article	Quantity	Notes	Kit
1	574 50 67-02	1	225 mm Sawblade guard	
1	574 53 26-01	1	200 mm Sawblade guard	
2	574 03 95-01	1		1
3	503 20 03-16	1		1

**R7** CC 2245  
ACCESSORIES



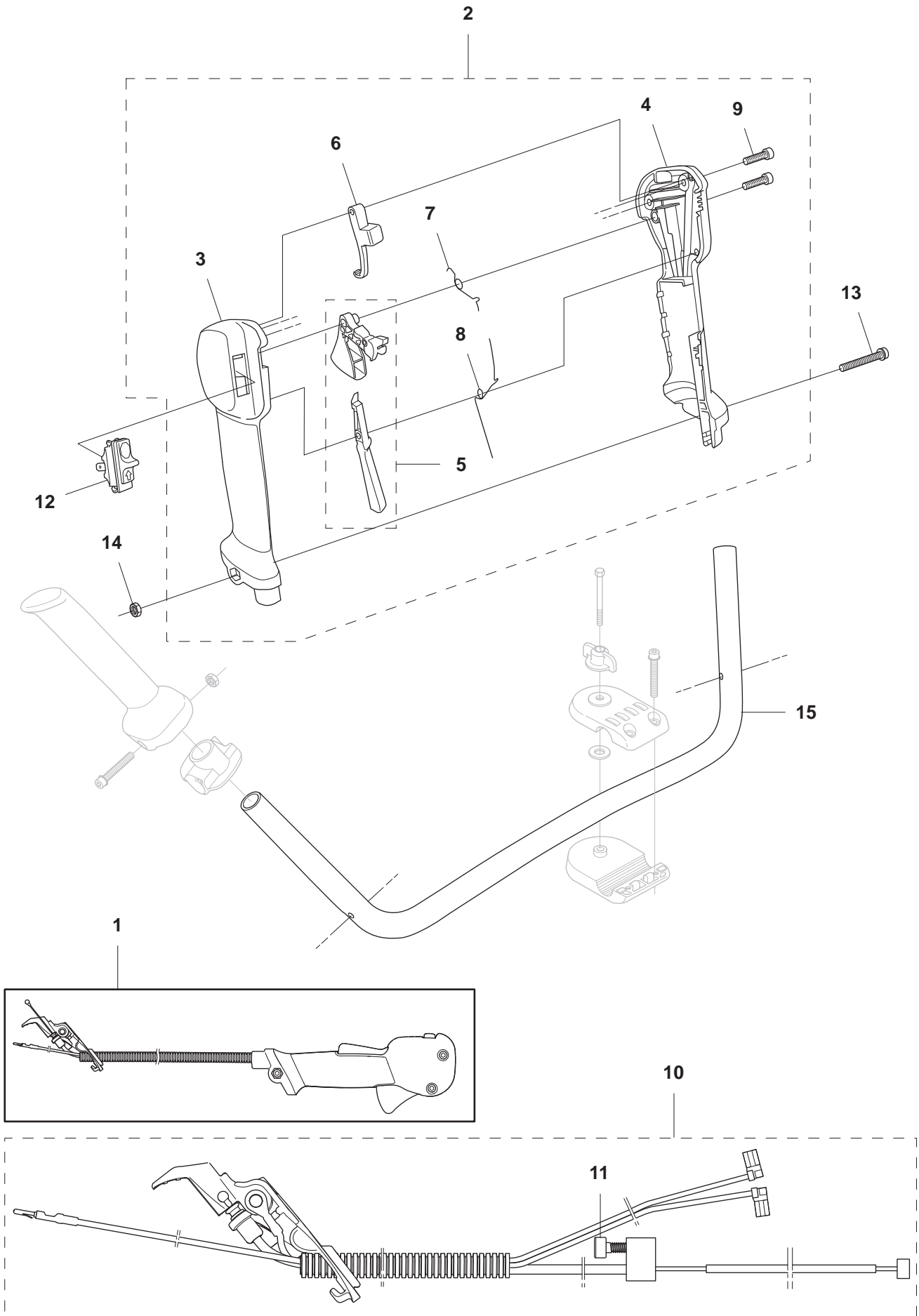
Position	Article	Quantity	Notes	Kit
1	537 31 09-02	1		
2	574 55 54-01	1	Spare part with Captive Screw	1
3	573 99 43-04	2	Captive Screw	1, 2
4	504 00 33-01	1		1
5	537 21 71-04	1		1
6	503 20 03-16	4		1
7	574 03 95-01	4		1



## ACCESSORIES

Position	Article	Quantity	Notes	Kit
1	544 84 29-01	1		
2	544 11 87-01	1	Spare part with Captive Screw	1
3	573 99 43-04	4	Captive Screw	1, 2
4	544 11 88-01	1	Spare part with Captive Screw	1
5	573 99 43-04	4	Captive Screw	1, 4
6	544 02 65-02	1		1
7	522 82 54-01	1		1
8	510 13 94-01	1		1
9	537 19 49-01	2		1

# R9 FC 2245 ACCESSORIES



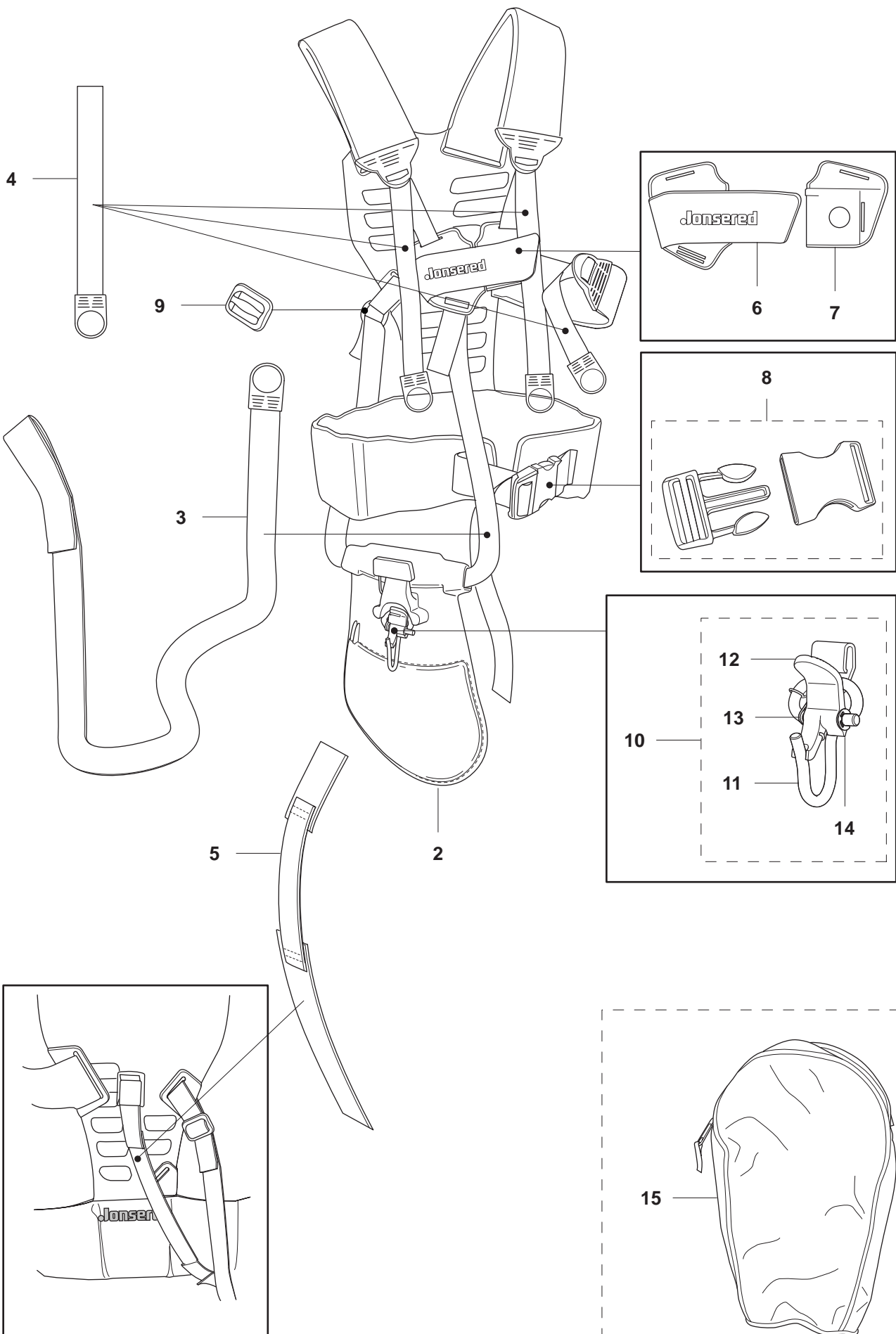


## ACCESSORIES

Position	Article	Quantity	Notes	Kit
1	577 07 19-01	1		
2	504 20 98-05	1		1
3	537 18 07-12	1		1, 2
4	537 18 08-12	1		1, 2
5	506 49 77-02	1		1, 2
6	537 16 07-02	1		1, 2
7	537 17 42-01	1		1, 2
8	537 17 43-01	1		1, 2
9	503 21 66-74	2		1, 2
10	525 41 98-01	1		1
10	525 41 98-02	1		1, 10
11	503 21 66-16	1		
12	537 41 90-01	1		
13	503 20 07-82	1		
14	503 22 10-13	1		
15	505 43 33-03	1		

# S1 VECTOR 3-55 HARNESS

1



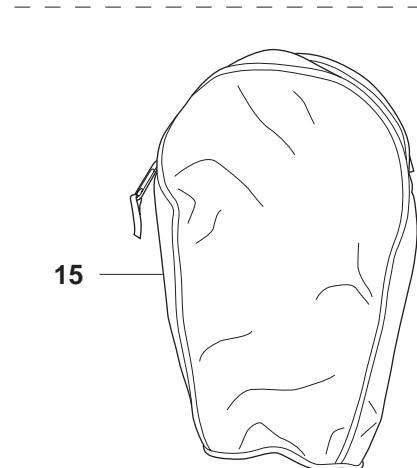
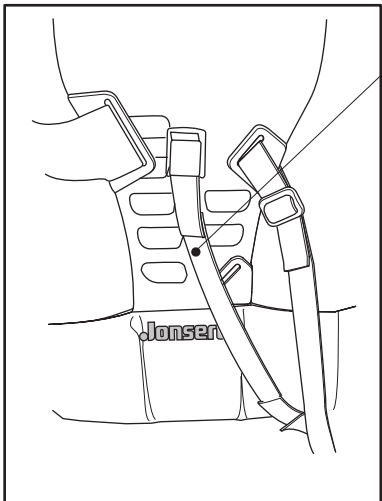
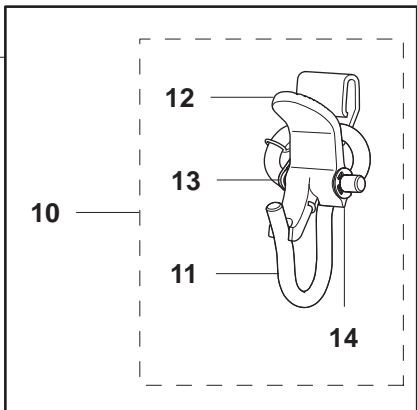
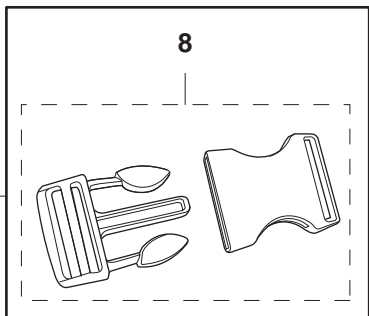
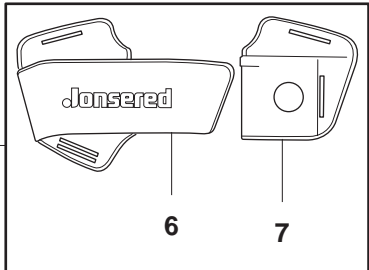
4

9

3

5

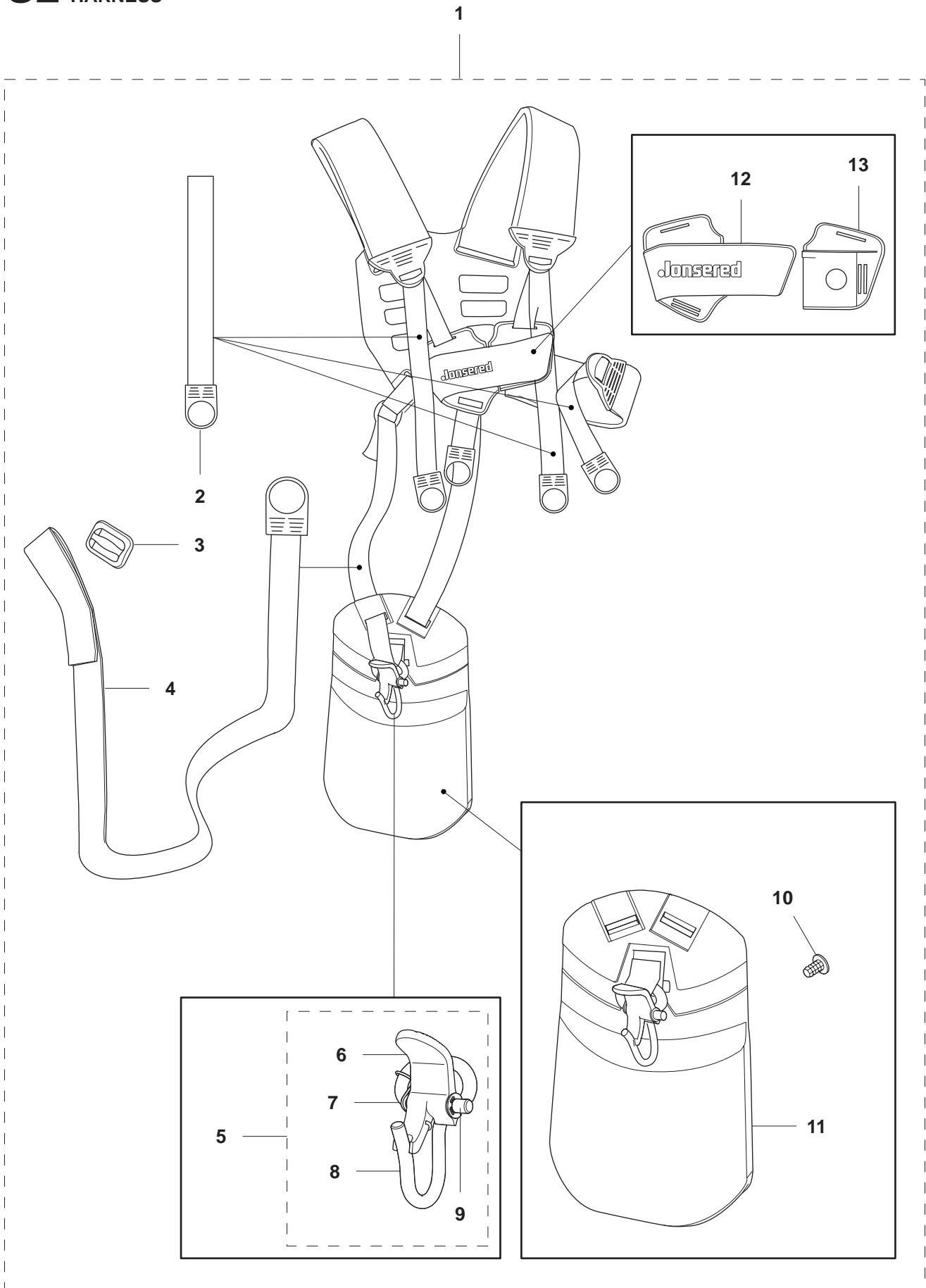
2



15

Position	Article	Quantity	Notes	Kit
1	504 04 52-01	1		
1	505 40 62-01	1	US	1
2	544 90 17-01	1		1
3	503 99 61-03	1		1
4	503 99 61-01	3		1
5	537 15 35-01	1		1
6	537 28 84-01	1		1
7	537 28 83-01	1		1
8	537 33 15-01	1		1
9	537 11 35-01	1		1
10	544 96 07-02	1		1
11	502 02 29-02	1		1, 10
12	502 02 30-02	1		1, 10
13	502 02 38-01	1		1, 10
14	735 31 09-20	1		1, 10
15	537 30 66-01	1	VECTOR 3-55 Tool bag	

**S2** VECTOR 2-55, 2-35  
HARNESS



Position	Article	Quantity	Notes	Kit
1	537 27 58-01	1		
1	537 27 58-03	1	US	
2	503 99 61-01	3		1
3	537 11 35-01	1		1
4	503 99 61-03	1		1
5	502 02 28-01	1		1
6	502 02 30-02	1		1, 5
7	502 02 38-01	1		1, 5
8	502 02 29-02	1		1, 5
9	735 31 09-20	1		1, 5
10	537 17 54-01	1		1
11	537 27 59-02	1		1
12	537 27 70-01	1		1
13	537 27 69-01	1		1