



# BC2256

# FC2256,

# MC2256

# FC2256 W

**Spare parts**

**Ersatzteile**

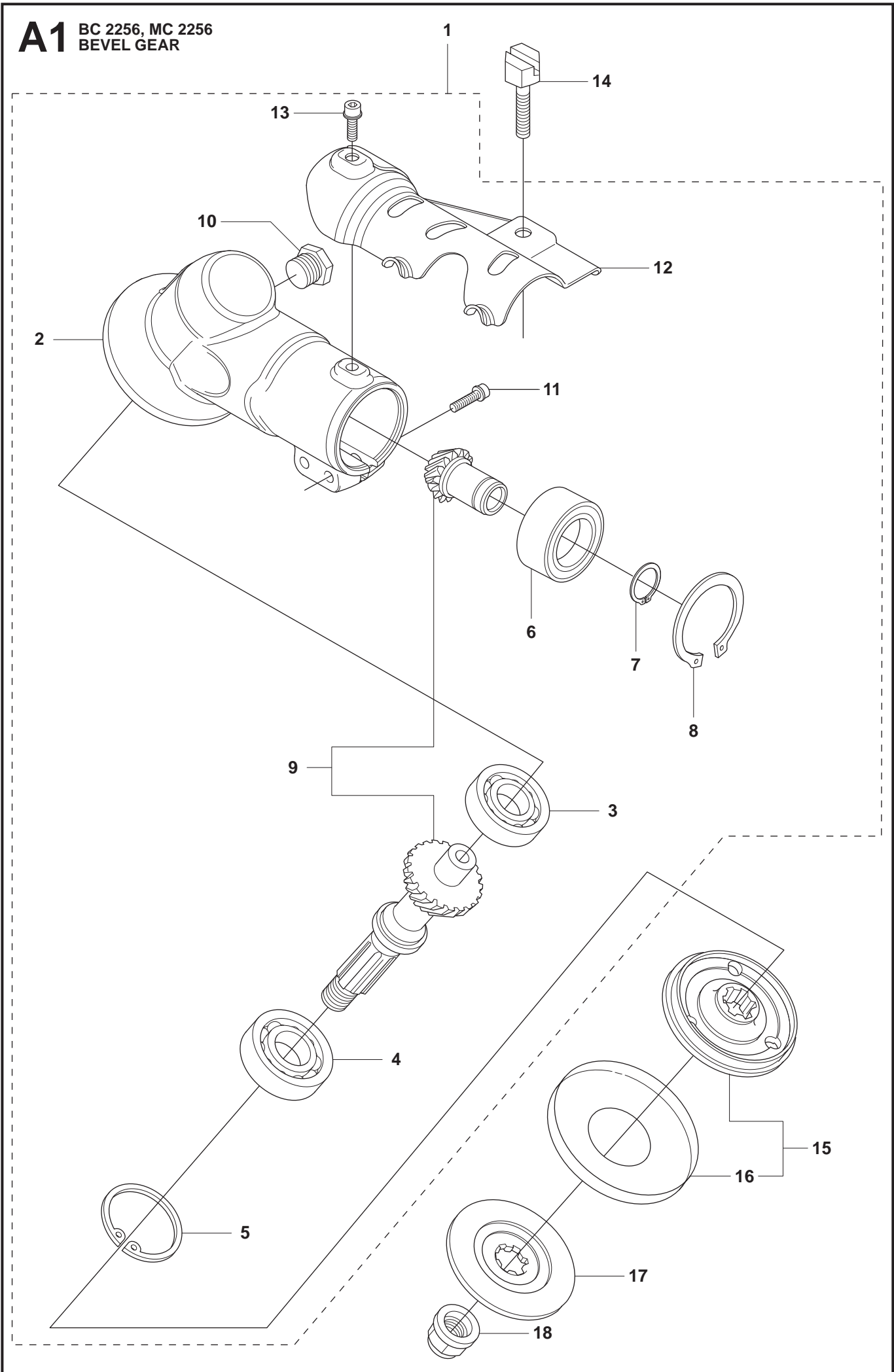
**Pièces détachées**

**Reserve onderdelen**

**Repuestos**

**Reservdelar**

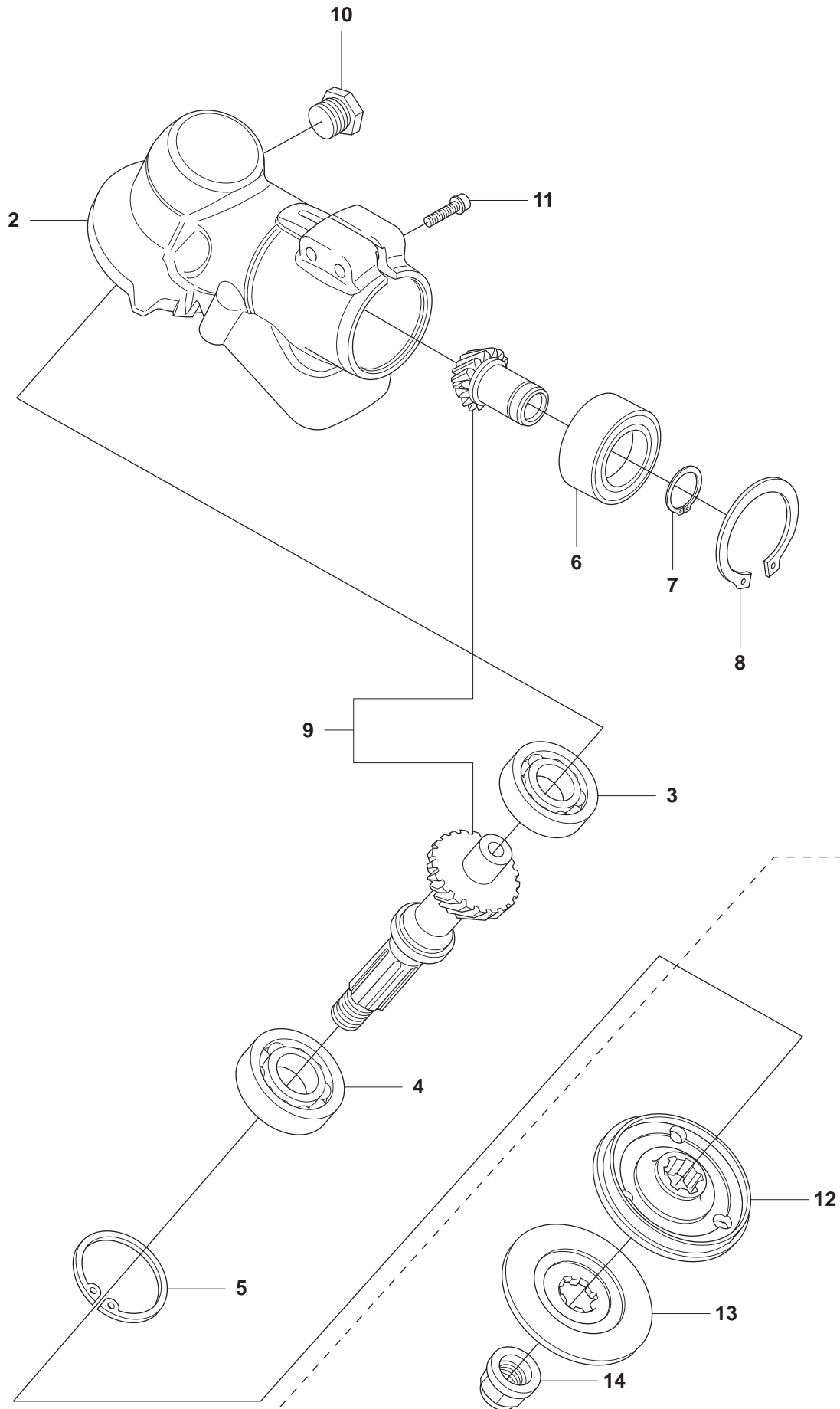
**A1** BC 2256, MC 2256  
BEVEL GEAR



Position	Article	Quantity	Notes	Kit
1	537 42 84-05	1	Incl. Pos. 2-13	
2	537 42 85-01	1		1
3	738 21 01-10	1		1
4	503 25 25-01	1		1
5	735 31 33-10	1		1
6	503 25 18-01	1		1
7	735 31 17-00	1		1
8	735 31 31-10	1		1
9	502 43 46-01	1	Kit	1
10	503 20 15-01	1		1
11	725 53 72-65	2		1
12	501 36 59-01	1		1
13	503 20 07-76	1		1
14	537 18 95-01	1		
15	537 35 14-01	1	Incl. Pos. 16	
16	537 24 03-01	1		15
17	544 21 78-01	1		
18	503 22 73-01	1		

**A2** FC 2256, FC 2256W  
BEVEL GEAR

1

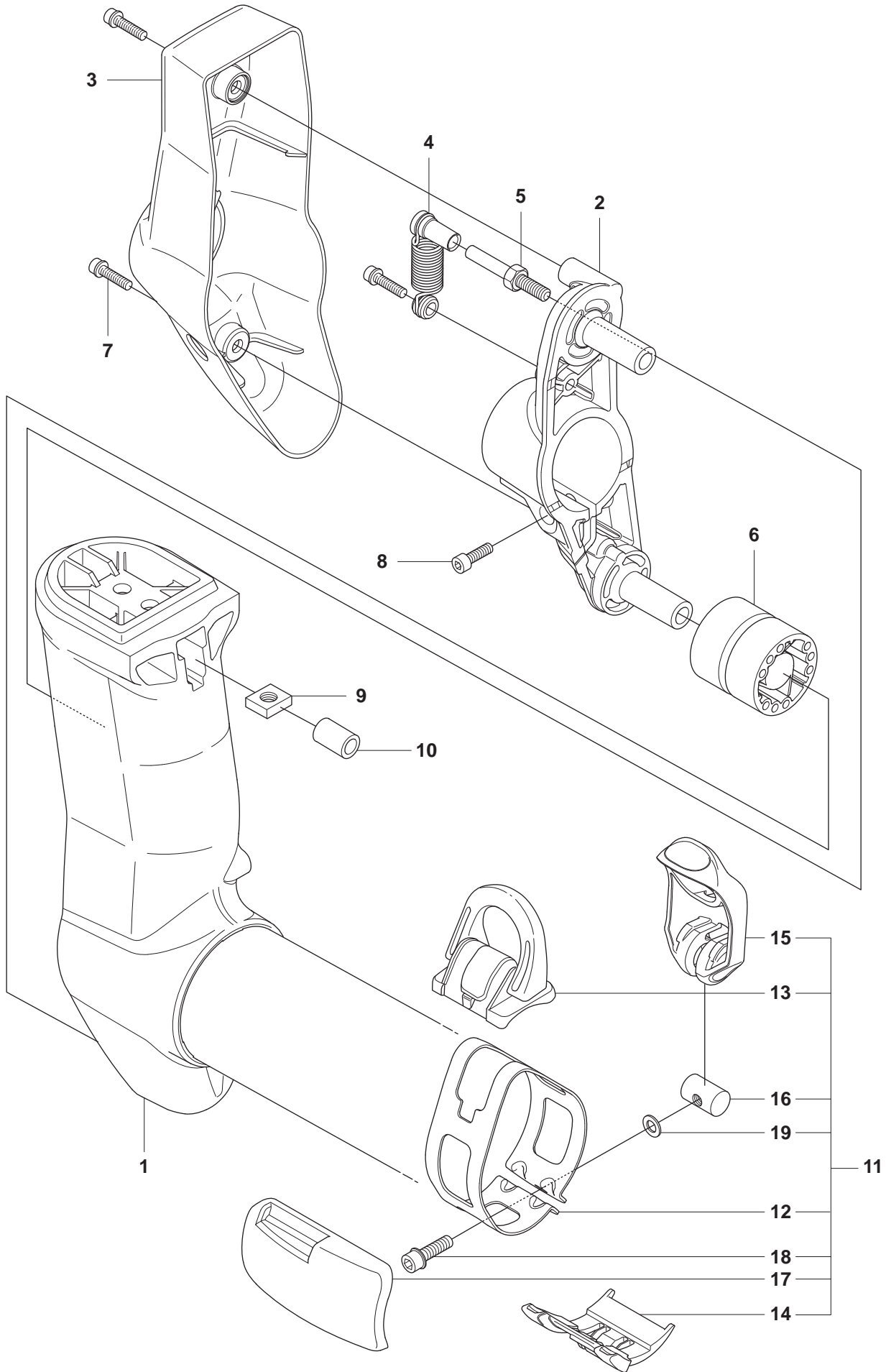


Position	Article	Quantity	Notes	Kit
1	537 42 82-04	1	Incl. Pos. 2-11	
2	537 42 83-01	1		1
3	738 21 01-10	1		1
4	503 25 25-01	1		1
5	735 31 33-10	1		1
6	503 25 18-01	1		1
7	735 31 17-00	1		1
8	735 31 31-10	1		1
9	502 43 47-01	1	Kit	1
10	503 20 15-01	1		1
11	725 53 72-65	2		1
12	544 19 78-01	1		
13	544 21 78-01	1		
14	503 22 73-01	1		



Position	Article	Quantity	Notes	Kit
1	537 35 79-04	1	BC, Incl. Pos. 2-3 L=1465mm, Ø=35.2mm	
1	510 02 78-03	1	FC, FCW, Incl. Pos. 2-3, Reinforced L=1354mm, Ø=35.2mm	
1	510 02 78-04	1	MC, Incl. Pos. 2-3 L=1465mm, Ø=35.2mm	
2	544 32 05-01	2	BC, FC, MC	1
3	544 86 85-02	1	BC, L=1368mm, Ø=10.5mm	1
3	505 13 13-02	1	MC, L=1368mm, Ø=10.5mm	1
3	505 13 13-01	1	FC, FCW, L=1257mm, Ø=10.5mm	1
4	544 15 67-02	1	BC, MC, L=1514mm, Ø=9.0mm	
4	544 15 67-01	1	FC, FCW, L=1401mm, Ø=9.0mm	
5	537 29 47-10	1		

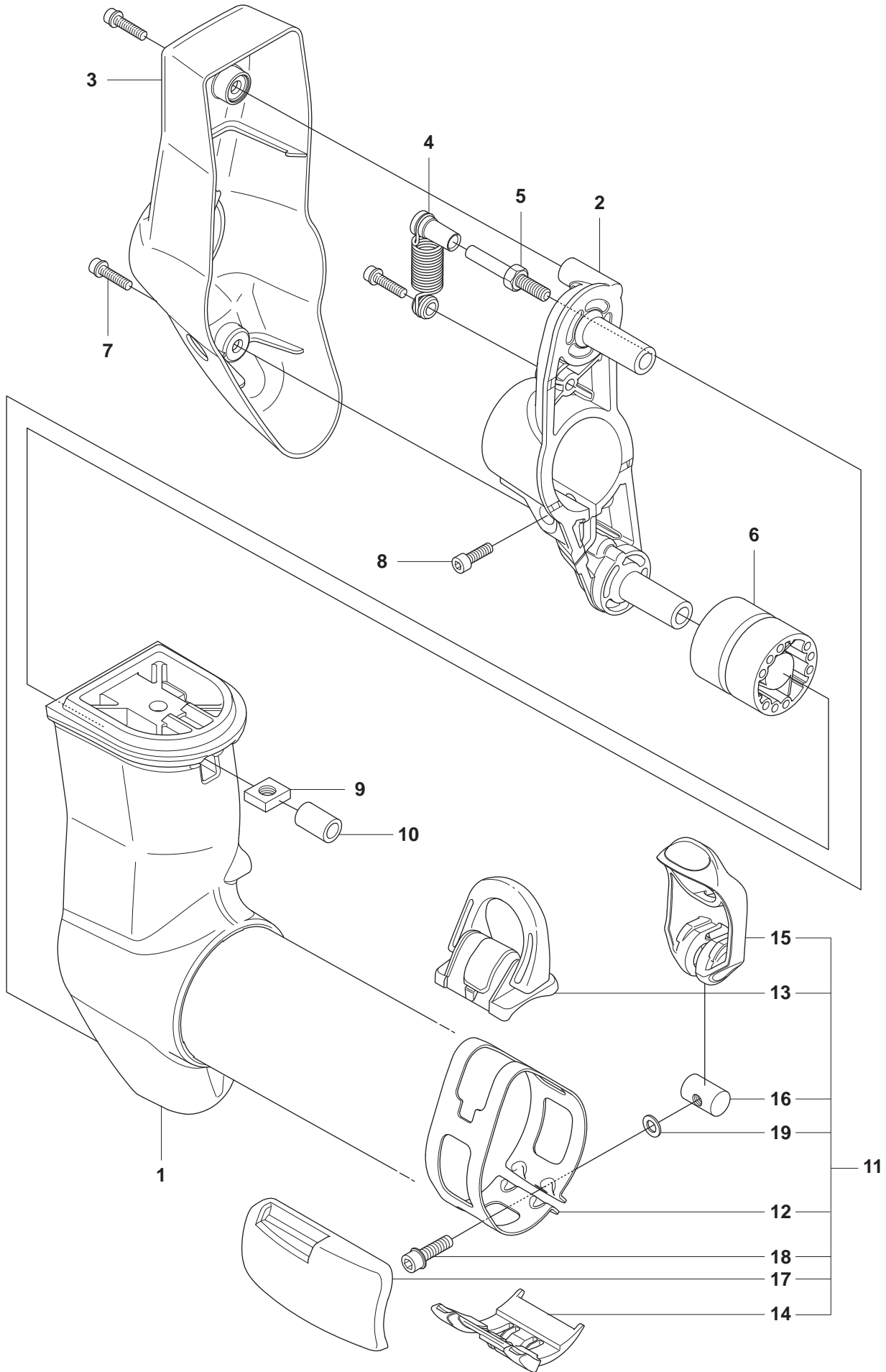
**C1** BC 2256  
SUSPENSION





Position	Article	Quantity	Notes	Kit
1	544 40 16-02	1		
2	544 37 83-01	1		
3	544 37 85-02	1		
4	506 06 88-01	1		
5	544 36 77-01	1		
6	544 23 09-01	2		
7	503 20 07-74	3		
8	725 53 72-65	1		
9	502 19 71-01	1		
10	503 85 73-02	1		
11	504 02 38-02	1	Incl. Pos. 12-19	
12	537 39 57-01	1		11
13	537 20 18-03	1		11
14	537 42 74-02	1		11
15	537 42 70-02	1		11
16	537 42 73-01	1		11
17	544 25 07-02	1		11
18	503 20 07-25	1		11
19	503 23 00-11	1		11

**C2** FC 2256, FC 2256W, MC 2256  
SUSPENSION

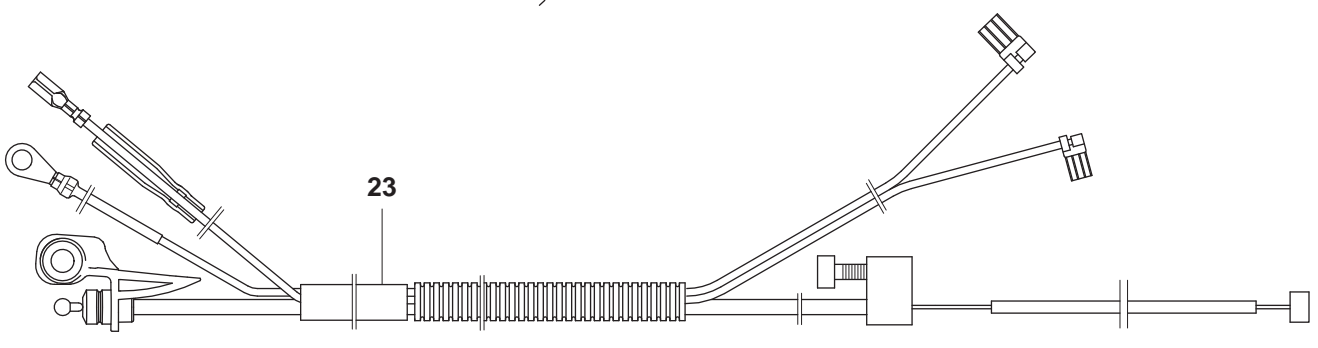
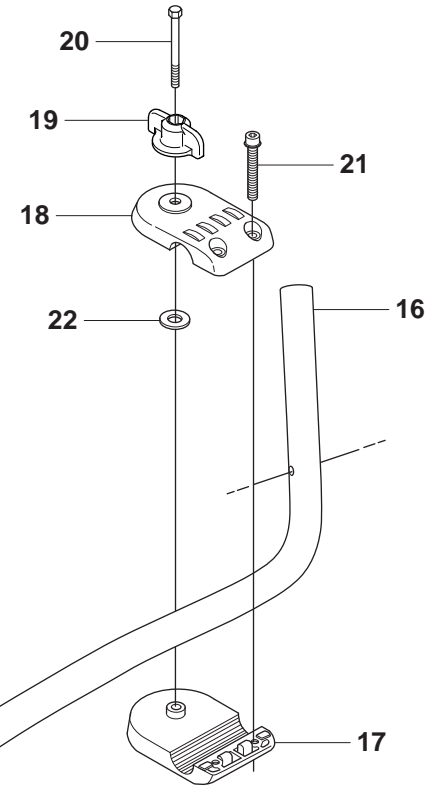
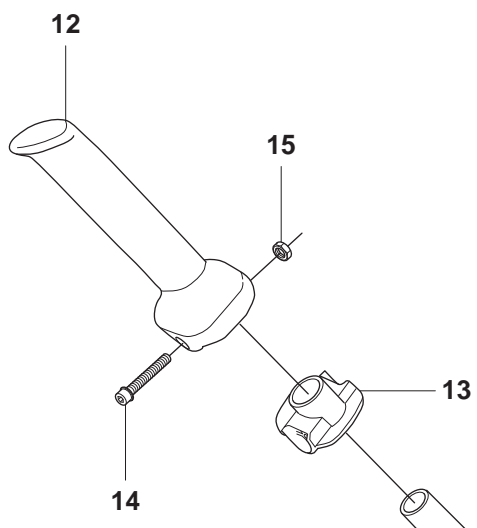
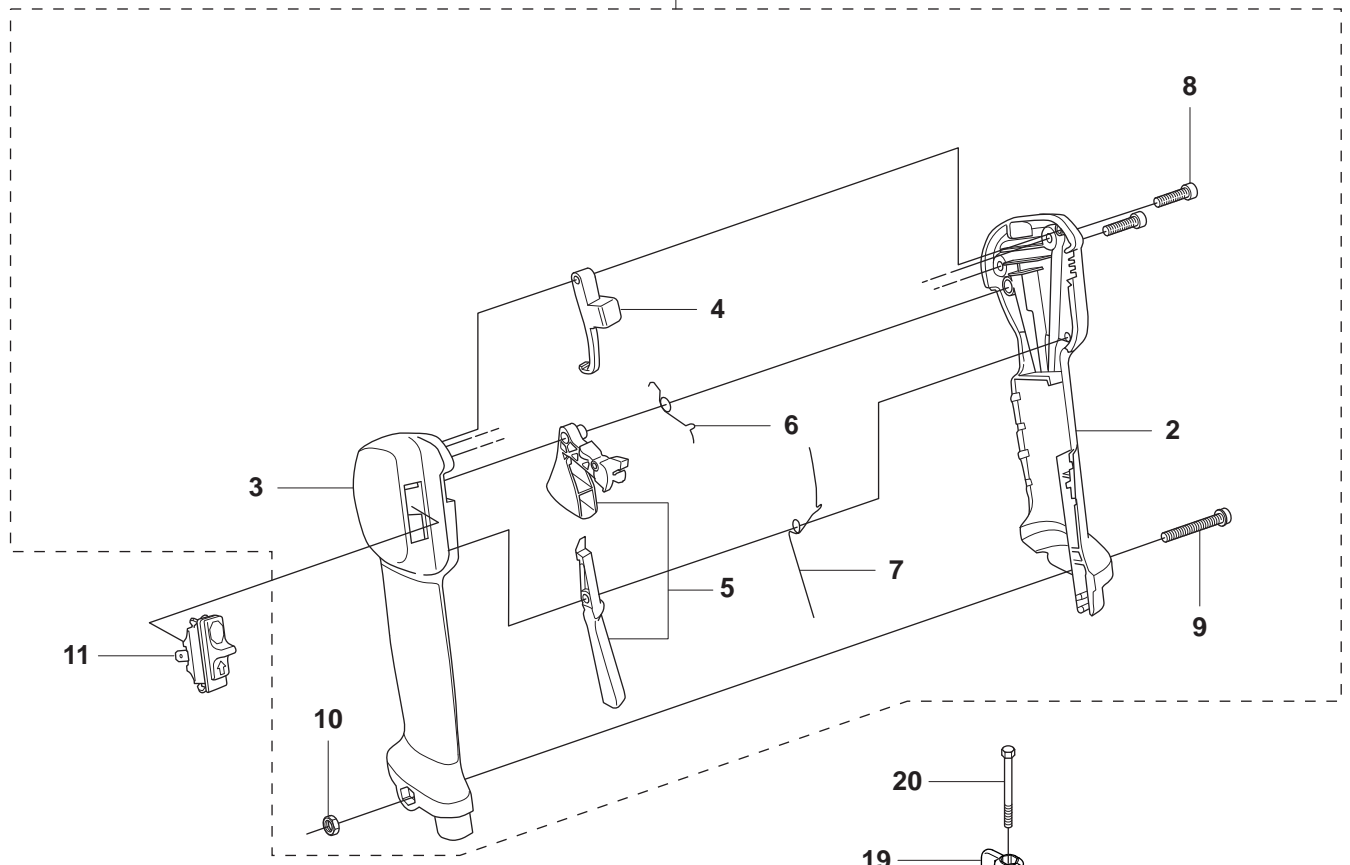


**Page C2 FC 2256, FC 2256W, MC 2256 SUSPENSION**

<b>Position</b>	<b>Article</b>	<b>Quantity</b>	<b>Notes</b>	<b>Kit</b>
1	544 24 59-02	1	FC, FCW	
1	544 24 59-03	1	MC	
2	544 37 83-01	1		
3	544 37 85-02	1		
4	506 06 88-01	1		
5	544 36 77-01	1		
6	544 23 09-01	2		
7	503 20 07-74	3		
8	725 53 72-65	1		
9	502 19 71-01	1		
10	503 85 73-02	1		
11	504 02 38-02	1	Incl. Pos. 12-19	
12	537 39 57-01	1		11
13	537 20 18-04	1		11
14	537 42 74-02	1		11
15	537 42 70-02	1		11
16	537 42 73-01	1		11
17	544 25 07-02	1		11
18	503 20 07-25	1		11
19	503 23 00-11	1		11

**D1** BC 2256, MC 2256  
THROTTLE CONTROLS

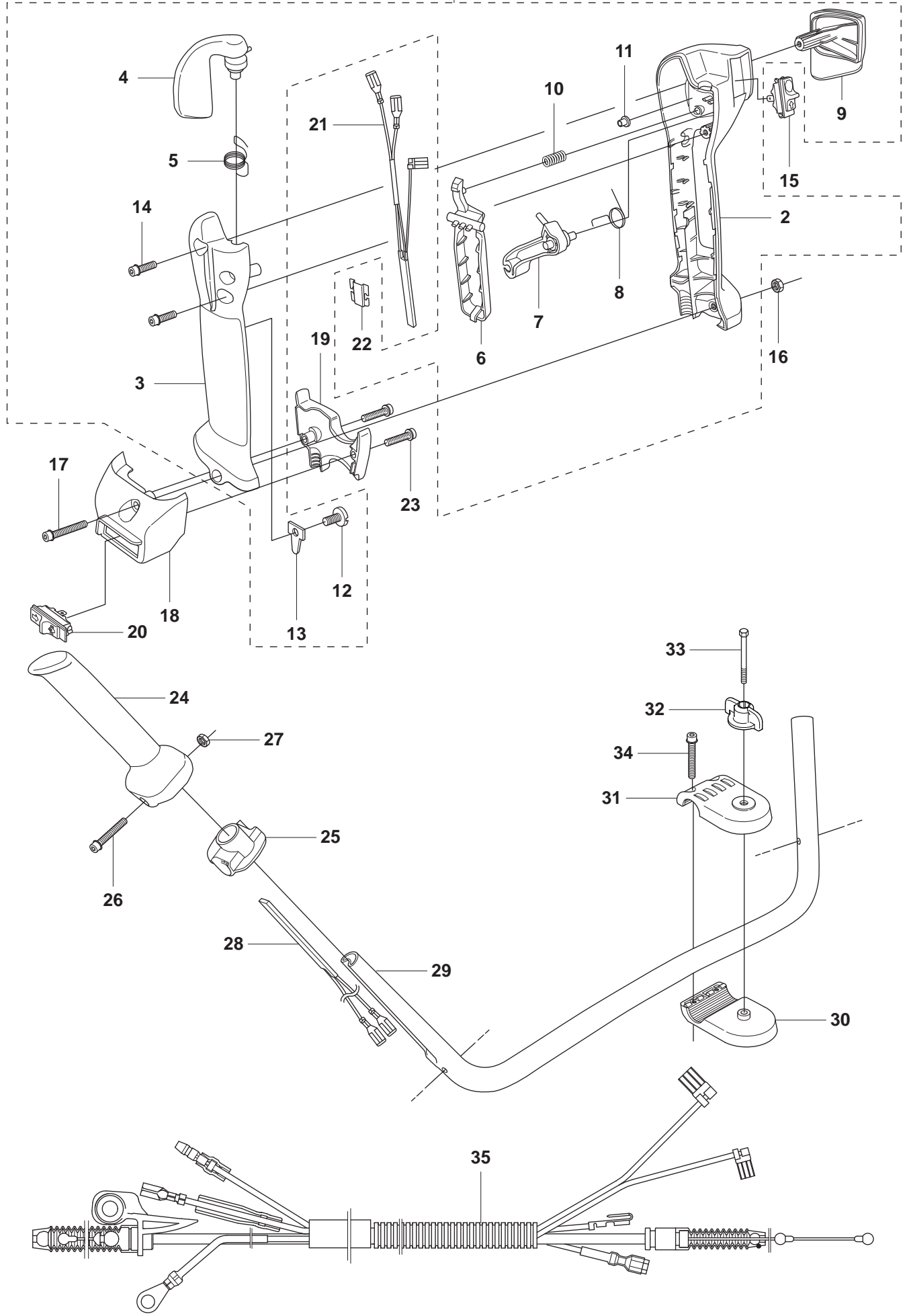
1



Position	Article	Quantity	Notes	Kit
1	504 20 98-05	1	Incl. Pos. 2-10	
2	537 18 08-12	1		1
3	537 18 07-12	1		1
4	537 16 07-02	1		1
5	506 49 77-02	1	Kit	1
6	537 17 42-01	1		1
7	537 17 43-01	1		1
8	503 21 66-18	2		1
9	503 20 07-35	1		1
10	503 22 10-13	1		1
11	537 41 90-01	1		
12	537 17 28-09	1		
13	537 17 29-02	1		
14	503 20 02-45	1		
15	731 23 14-05	1		
16	503 95 86-03	1		
17	537 12 91-02	1		
18	537 12 90-02	1		
19	502 21 93-01	1		
20	725 23 82-85	1		
21	503 20 07-78	2		
22	502 28 21-01	1		
23	544 20 31-01	1	BC, MC	
23	544 20 31-02	1	FC	

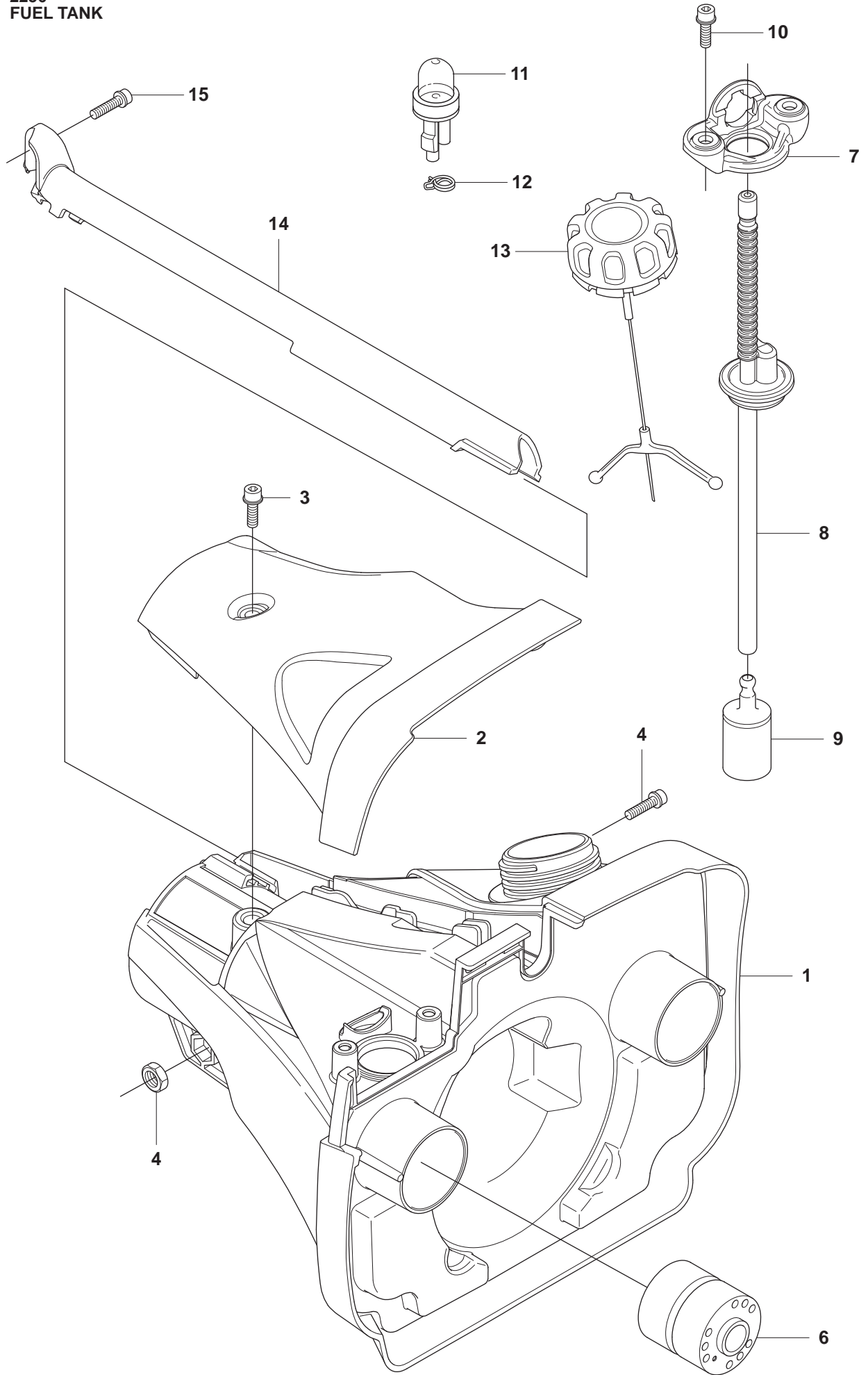
# D2 FC 2256, FC 2256W THROTTLE CONTROLS

1



Position	Article	Quantity	Notes	Kit
1	537 19 72-14	1	Incl. Pos. 2-14	
2	537 15 52-05	1		1
3	537 15 53-05	1		1
4	537 26 34-02	1		1
5	537 28 37-01	1		1
6	537 15 56-02	1		1
7	537 26 35-01	1		1
8	537 34 27-01	1		1
9	537 18 24-02	1		1
10	537 19 97-01	1		1
11	537 30 72-01	1		1
12	503 21 70-10	1		1
13	537 25 11-01	1		1
14	503 21 75-20	2		1
15	537 41 90-01	1		
16	731 23 14-05	1		
17	503 20 02-35	1	FC	
17	503 20 02-45	1	FCW	
18	537 20 15-02	1	FCW	
19	537 20 16-02	1	FCW	
20	503 71 82-02	1	FCW	
21	537 22 71-01	1	FCW	
22	537 26 51-01	2		
23	503 21 71-20	2	FCW	
24	537 17 28-08	1		
25	537 17 29-04	1		
26	503 20 02-45	1		
27	731 23 14-05	1		
28	537 22 72-01	1	FCW	
29	503 95 86-02	1		
30	537 12 91-02	1		
31	537 12 90-02	1		
32	502 21 93-01	1		
33	725 23 82-85	1		
34	503 20 02-25	2		
35	537 40 34-01	1	FC	
35	537 40 34-02	1	FCW	

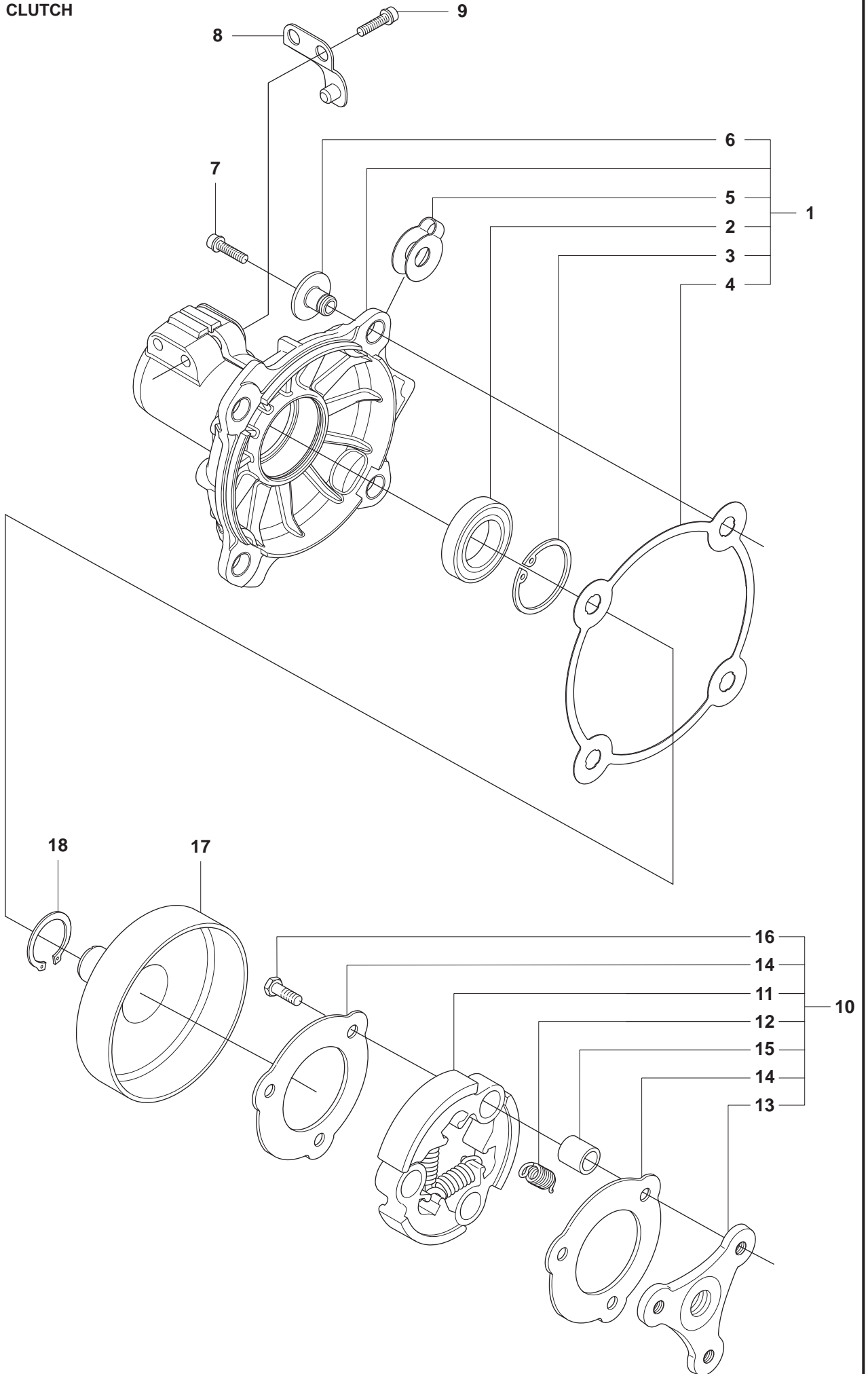
**E** 2256  
FUEL TANK





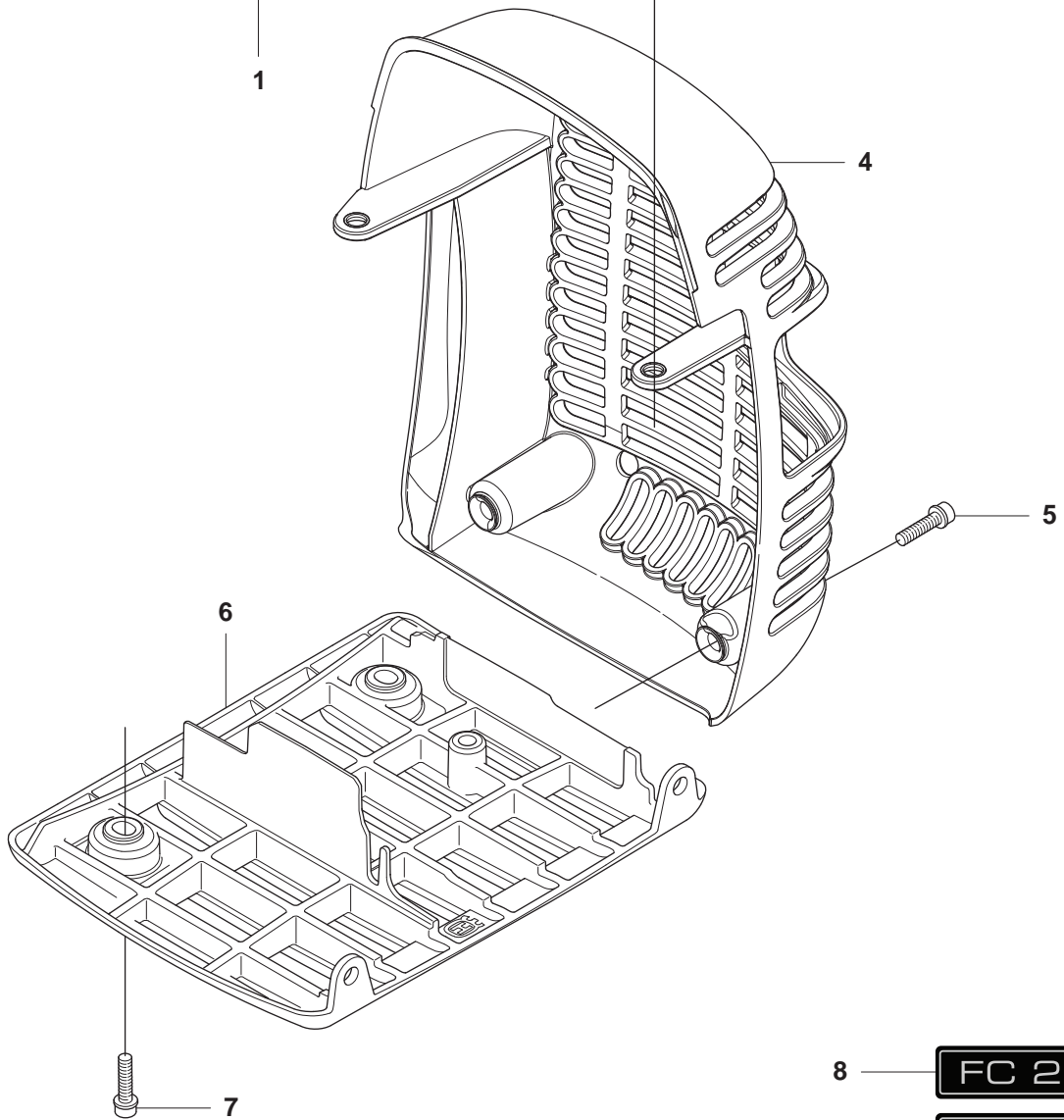
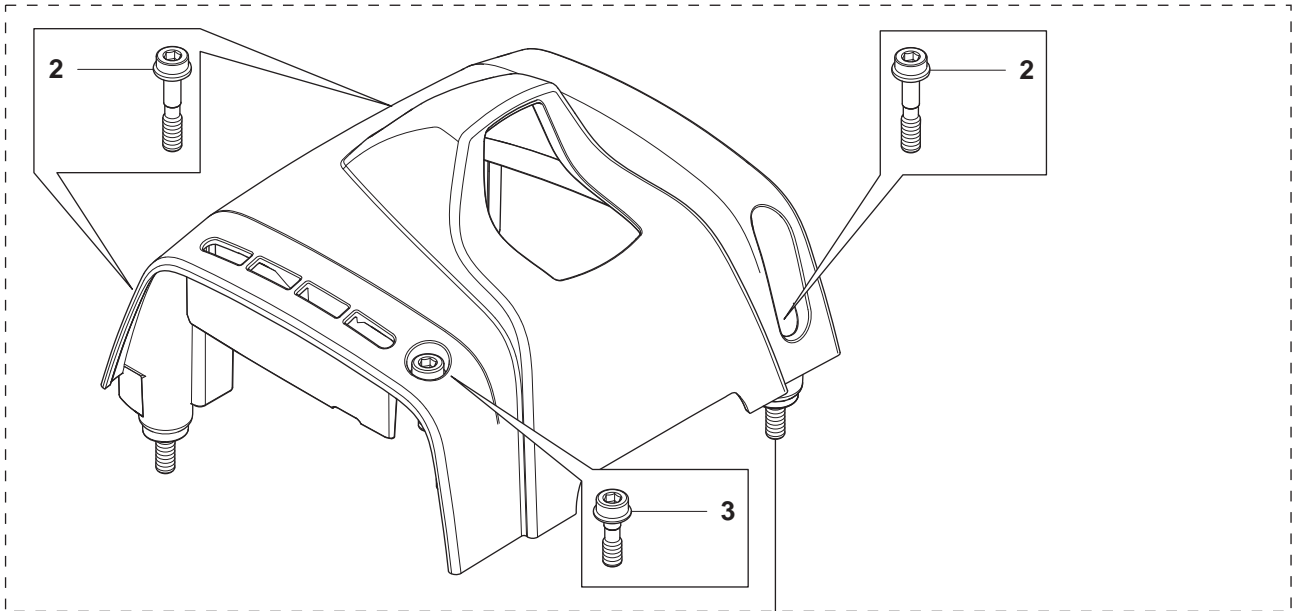
## FUEL TANK

Position	Article	Quantity	Notes	Kit
1	537 35 88-02	1		
2	537 35 86-02	1		
3	503 20 07-72	1		
4	503 20 07-76	1		
5	503 22 10-12	1		
6	544 23 09-01	2		
7	544 21 53-01	1		
8	544 21 54-01	1		
9	503 44 32-01	1		
10	503 20 07-76	2		
11	503 93 66-01	1		
12	544 34 86-01	1		
13	504 11 32-01	1		
14	544 10 95-03	1	BC	
14	544 10 95-04	1	FC, FCW, MC	
15	503 20 07-74	1		

**F****2256  
CLUTCH**

Position	Article	Quantity	Notes	Kit
1	502 49 35-04	1	Incl. Pos. 2-6	
2	738 22 02-19	1		1
3	735 31 33-10	1		1
4	544 90 81-01	1		1
5	544 09 36-01	4		1
6	544 09 35-01	4		1
7	503 20 07-78	4		
8	544 29 48-01	1		
9	725 53 72-65	2		
10	537 40 40-02	1	Incl. Pos. 11-16	
11	537 40 37-01	1		10
12	505 43 53-01	3	Ø 1.7 mm	10
13	537 40 36-01	1		10
14	544 89 28-01	2		10
15	537 13 54-01	3		10
16	503 20 18-02	3		10
17	575 86 16-01	1		
18	735 31 17-00	1		

**G** 2256  
CYLINDER COVER



8 — FC 2256

8 — FC 2256W

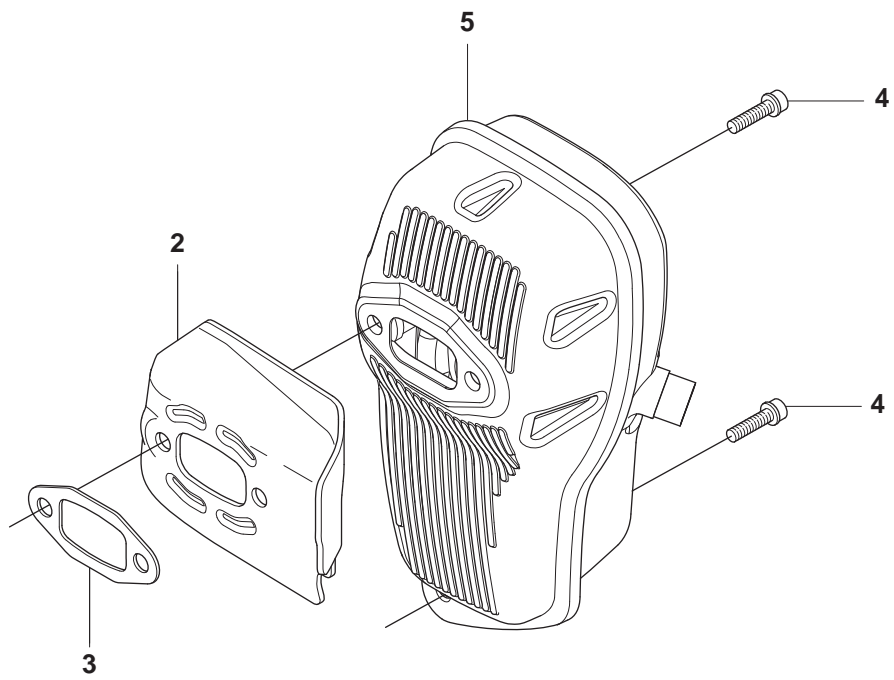
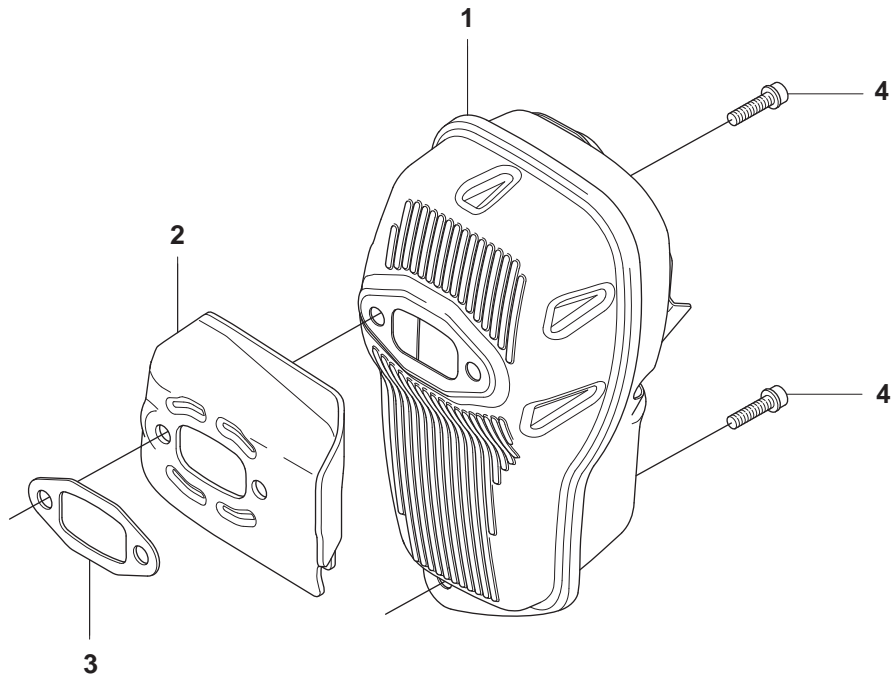
8 — BC 2256

8 — MC 2256

## CYLINDER COVER

Position	Article	Quantity	Notes	Kit
1	575 52 77-01	1	Spare part incl. Screws Pos. 2-3	
2	573 99 43-04	3	Captive Screw M5	1
3	573 99 43-01	1	Captive Screw M5	1
4	544 32 63-01	1		
5	503 20 07-76	2		
6	505 49 26-02	1		
7	503 20 07-76	2		
8	504 06 15-05	1	FC	
8	504 06 15-06	1	FCW	
8	504 06 15-07	1	BC	
8	504 06 15-08	1	MC	

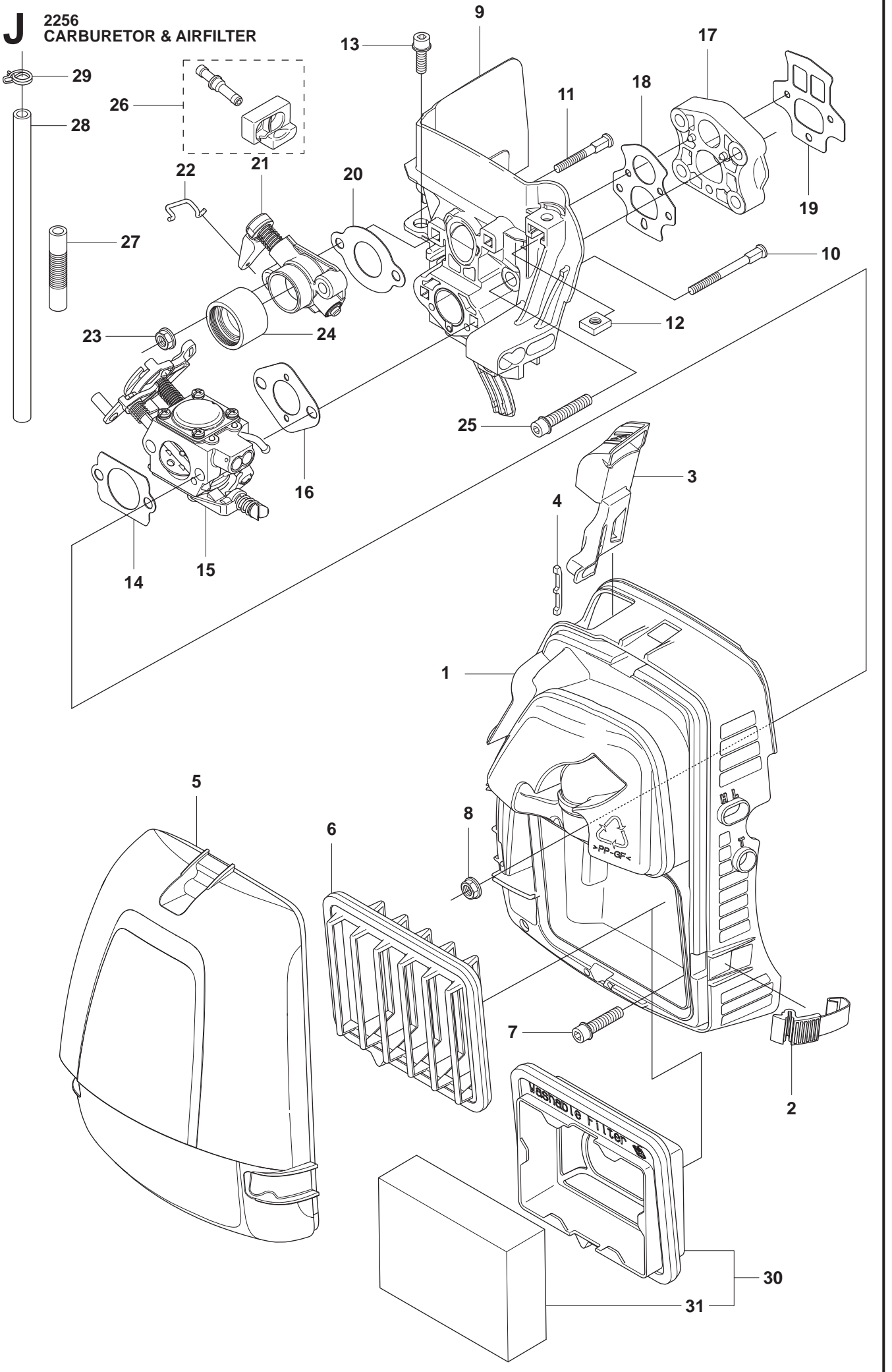
**H** 2256  
MUFFLER



MUFFLER

Position	Article	Quantity	Notes	Kit
1	537 36 03-01	1	Mesh	
2	537 34 57-01	1		
3	503 82 11-01	1		
4	503 20 02-20	3		
5	504 03 79-01	1	Pipe	

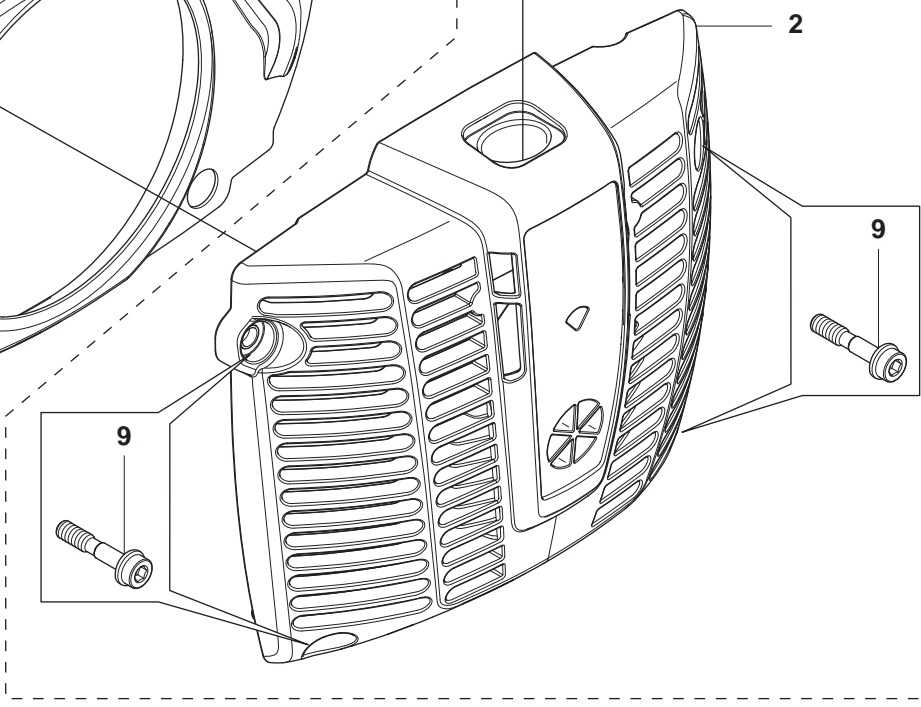
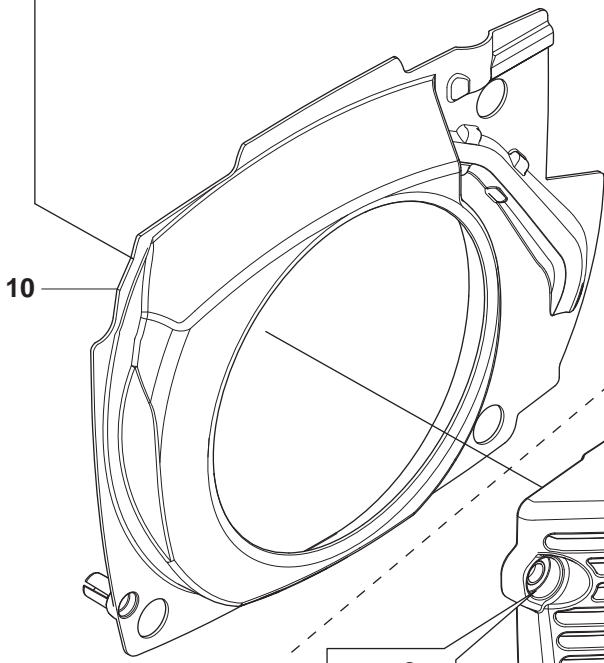
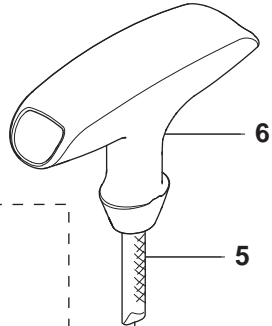
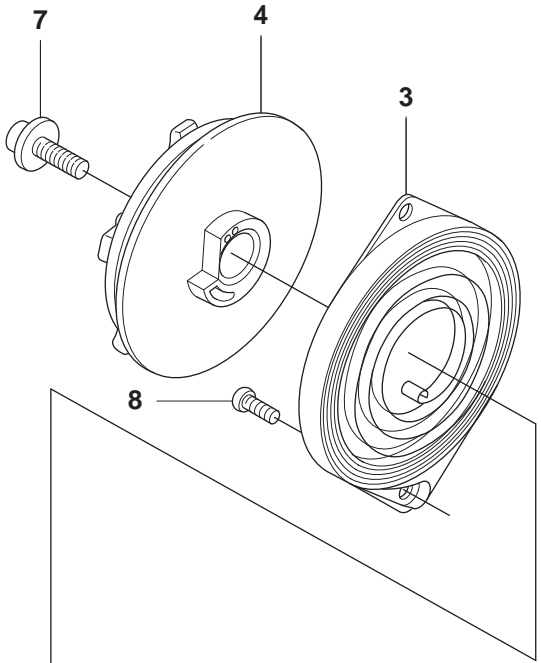
**J** 2256  
CARBURETOR & AIRFILTER





Position	Article	Quantity	Notes	Kit
1	544 32 62-01	1		
2	503 74 01-03	3		
3	537 35 26-01	1		
4	537 38 78-01	1		
5	544 27 86-01	1		
6	537 41 08-01	1	Nylon 80/32 Winter	
6	537 41 08-02	1	Nylon 44/27	
6	537 41 08-03	1	Flock	
7	503 20 07-76	2		
8	731 71 14-51	2		
9	537 35 04-01	1		
10	503 98 81-01	2		
11	503 98 81-04	2		
12	503 22 65-04	1		
13	503 20 07-76	1		
14	544 42 99-01	1		
15	510 24 20-01	1	Walbro WTE7 Incl. Pos.16-19	
16	510 04 37-01	1		15
17	544 04 33-01	1		15
18	544 04 30-01	1		15
19	544 04 31-01	1		15
20	544 16 08-01	1		
21	544 21 40-01	1		
22	544 84 78-01	1		
23	731 71 14-51	2		
24	537 41 05-01	1		
25	503 20 07-80	4		
26	544 16 15-01	1	Kit	
27	537 42 58-02	1		
28	544 32 49-14	1		
29	544 34 86-01	1		
30	505 03 47-01	1	BC, Incl. Pos. 31	
31	505 03 10-02	1		30

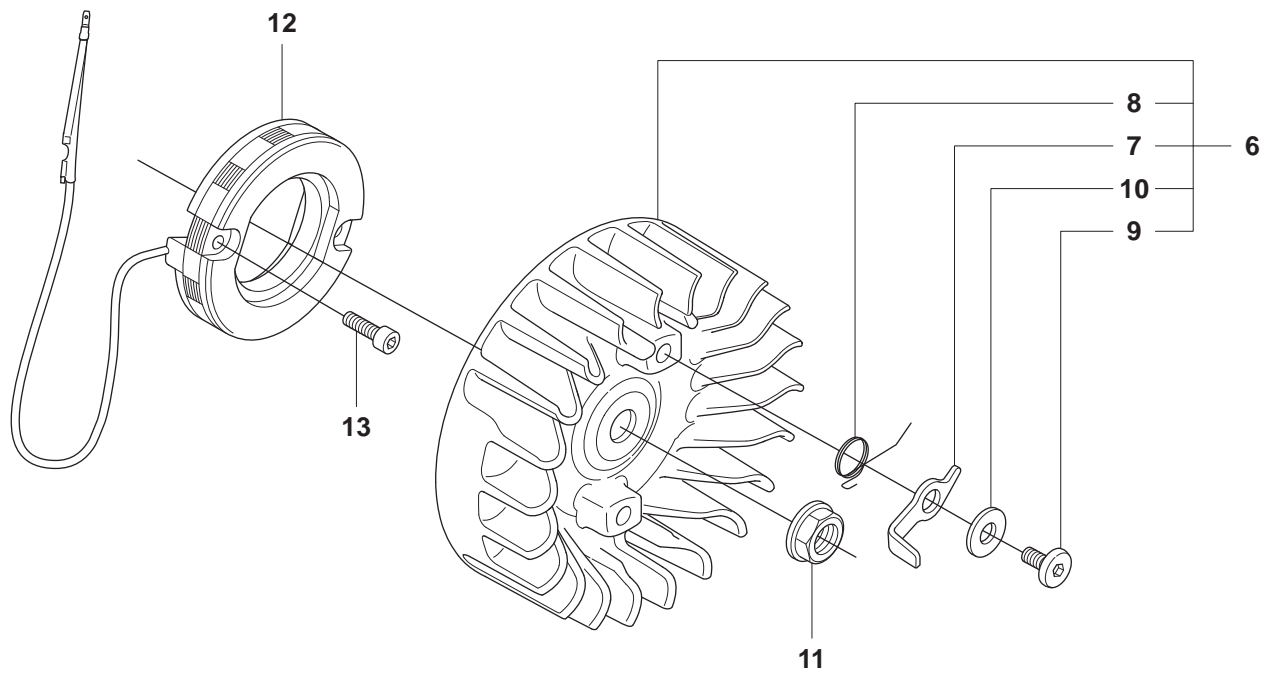
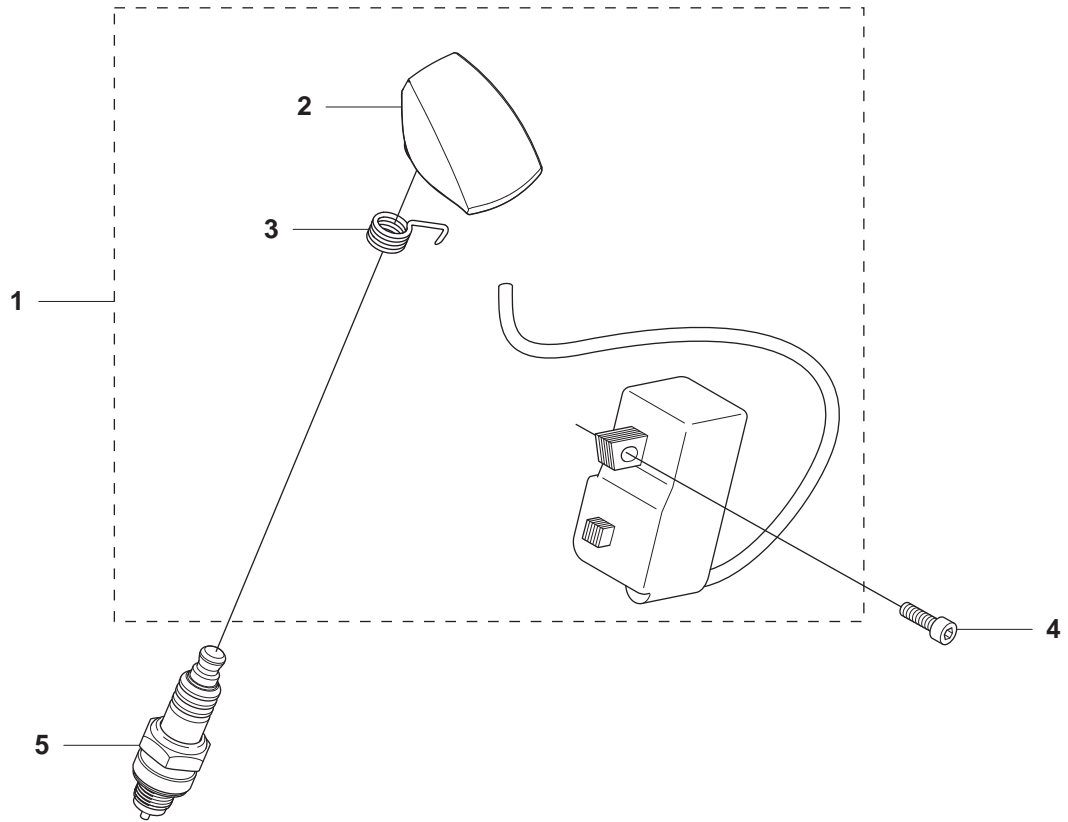
1



11

Position	Article	Quantity	Notes	Kit
1	575 52 79-01	1	Incl. Pos. 2-9	
2	575 54 16-01	1	Spare part incl. Screws Pos. 9	1
3	502 20 06-01	1		1
4	503 95 73-01	1		1
5	505 30 51-25	1		1
6	544 37 65-01	1		1
7	503 21 69-16	1		1
8	503 21 29-06	2		1
9	573 99 43-04	4	Captive Screw M5	1, 2
10	544 27 89-01	1		
11	504 06 14-01	1		

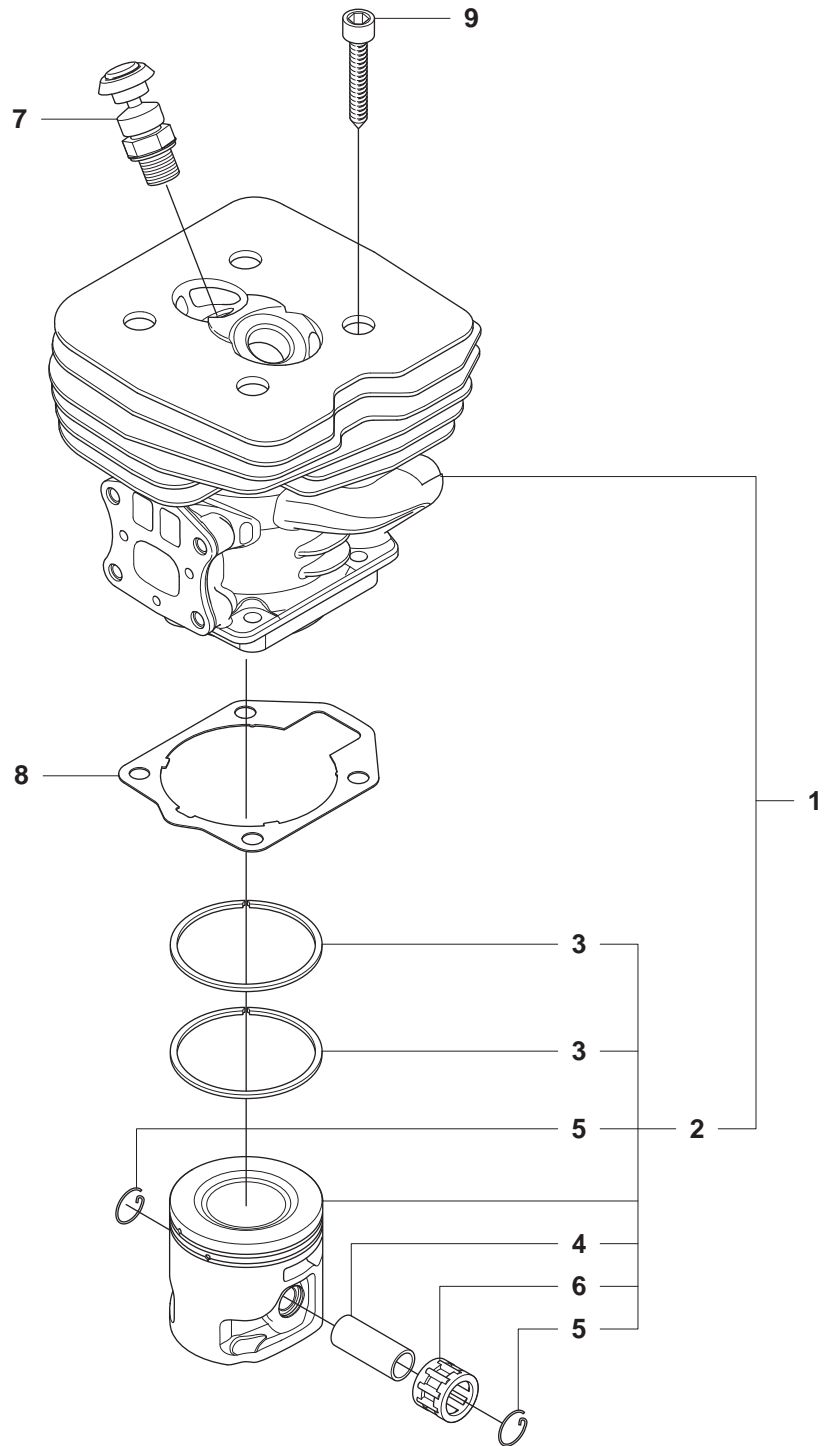
**L** 2256  
IGNITION SYSTEM



## IGNITION SYSTEM

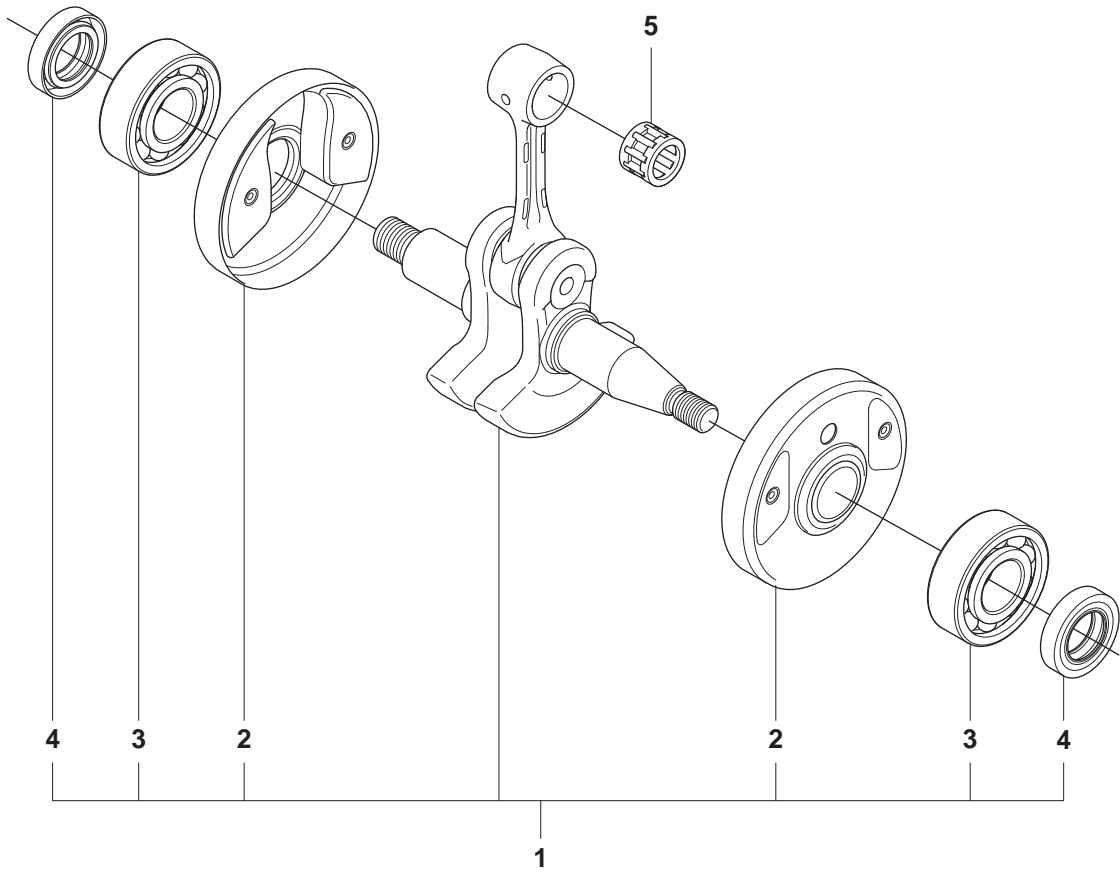
Position	Article	Quantity	Notes	Kit
1	504 70 87-01	1	Pos. 2-3	
2	544 30 70-01	1		1
3	501 48 56-01	1		1
4	503 20 25-16	2		
5	503 23 51-11	1	NGK BPMR7A	
6	537 24 05-01	1	BC, FC, MC Incl. Pos. 7-10	
6	537 24 05-02	1	FCW Incl. Pos. 7-10	
7	503 81 24-01	2		6
8	503 81 29-01	2		6
9	501 81 99-03	2		6
10	503 23 00-42	2		6
11	503 22 04-01	1		
12	537 25 63-02	1	FCW	
13	544 44 43-01	2	FCW	

**M** 2256  
CYLINDER & PISTON



<b>Position</b>	<b>Article</b>	<b>Quantity</b>	<b>Notes</b>	<b>Kit</b>
1	544 98 60-02	1	Incl. Pos. 2-6	
2	576 95 48-01	1	Incl. Pos. 3-6	1
3	502 65 39-01	2		1, 2
4	505 49 57-01	1		1, 2
5	505 49 58-01	2		1, 2
6	501 45 16-01	1		1, 2
7	544 20 00-01	1		
8	537 34 68-01	1		
9	725 53 33-55	4		

**N** 2256  
CRANK SHAFT

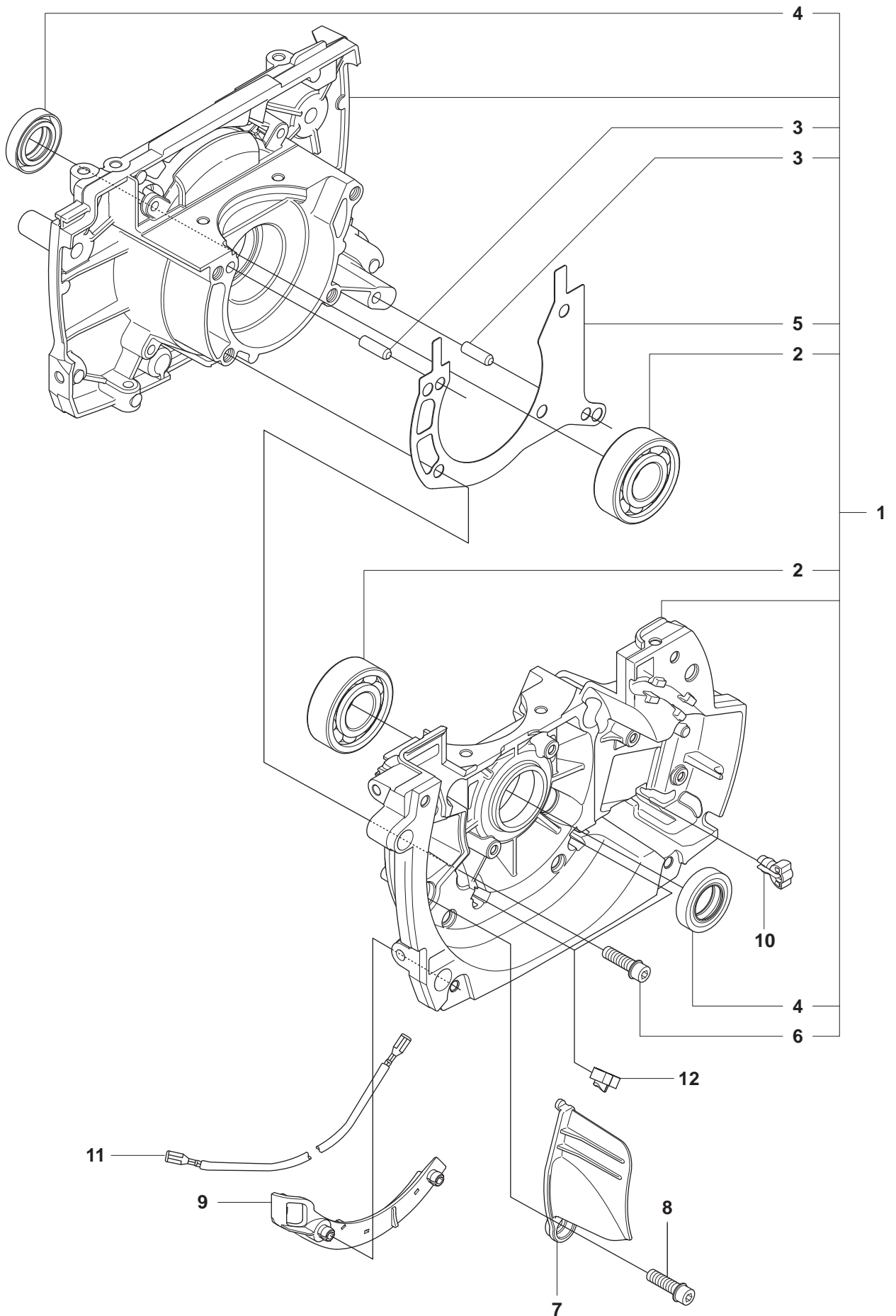




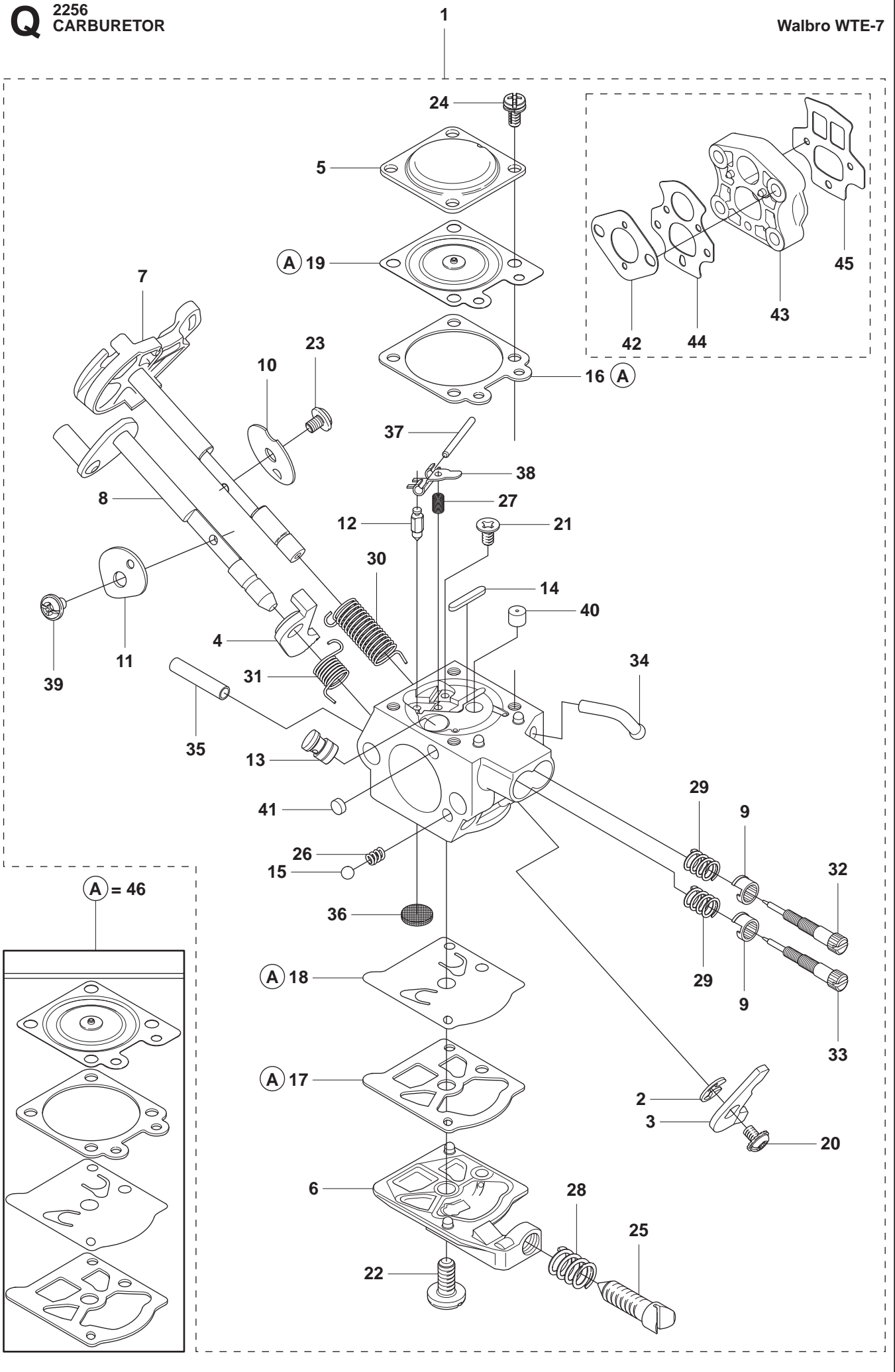
CRANK SHAFT

Position	Article	Quantity	Notes	Kit
1	544 95 26-02	1	Incl. Pos. 2-4	
2	544 01 01-01	2		1
3	503 25 08-01	2		1
4	503 26 02-04	2		1
5	501 45 16-01	1		

**P** 2256  
CRANKCASE



Position	Article	Quantity	Notes	Kit
1	544 95 25-01	1	Incl. Pos. 2-6	
2	503 25 08-01	2		1
3	720 13 07-10	2		1
4	503 26 02-04	2		1
5	537 34 67-01	1		1
6	725 53 33-55	5		1
7	544 09 45-01	1		
8	503 20 25-16	1		
9	544 09 44-01	1		
10	540 07 01-01	1		
11	544 33 18-01	1		
12	501 04 44-01	2		

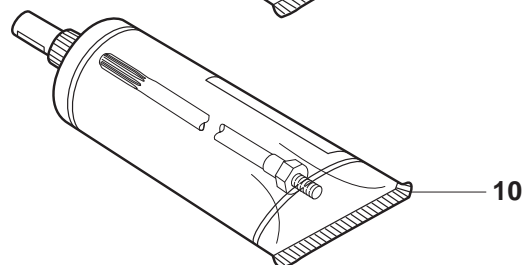
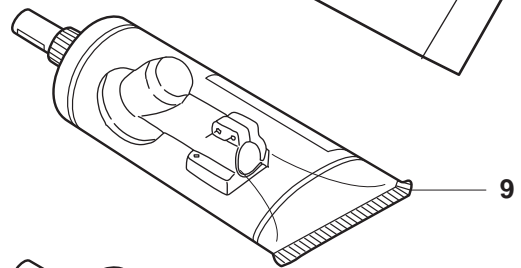
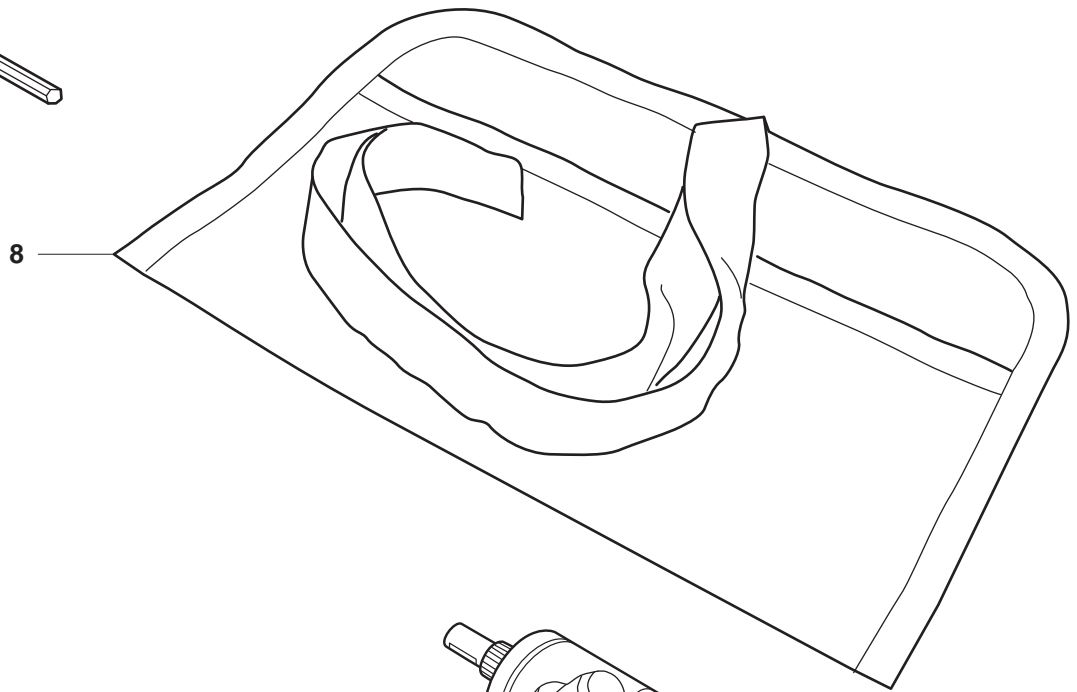
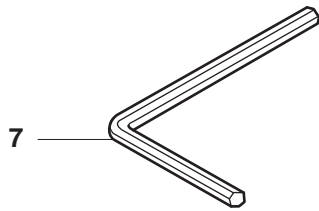
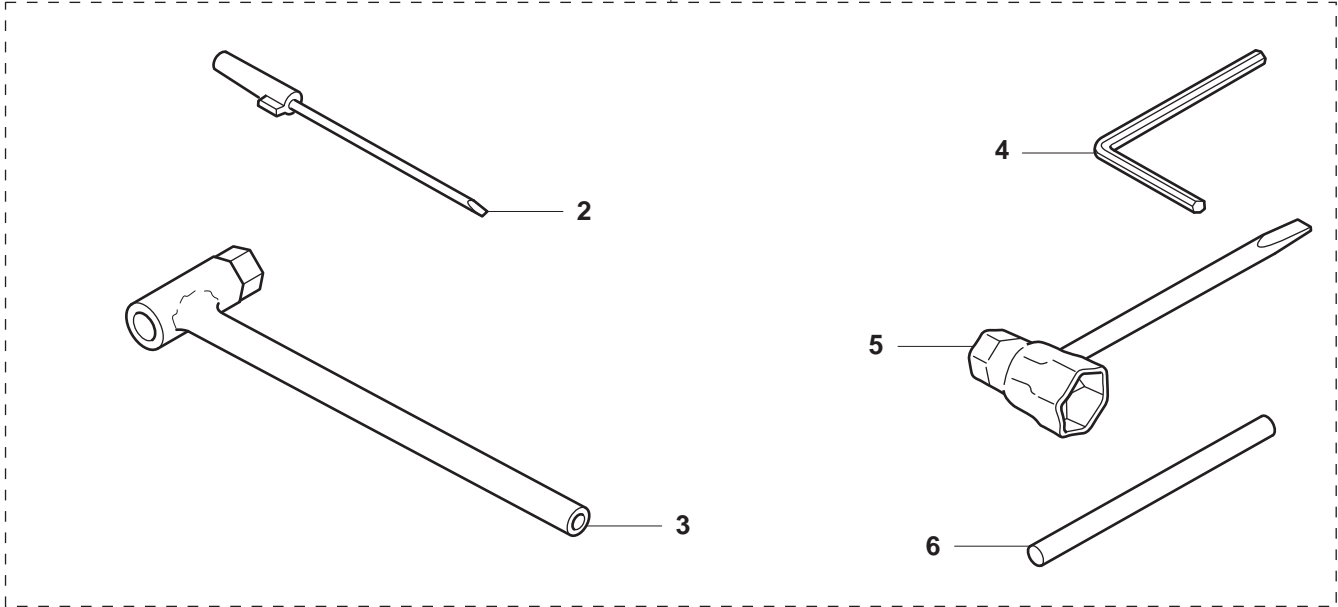


## CARBURETOR

Position	Article	Quantity	Notes	Kit
1	510 24 20-01	1	Walbro WTE7 Incl. Pos. 2-45	
2	505 31 67-36	1		1
3	544 97 07-01	1		1
4	544 17 77-01	1		1
5	505 31 67-54	1		1
6	503 58 43-01	1		1
7	544 04 36-01	1		1
8	544 04 40-01	1		1
9	544 97 08-01	2		1
10	505 42 71-01	1		1
11	537 10 96-01	1		1
12	503 56 34-01	1		1
13	502 84 68-01	1		1
14	502 84 69-01	1		1
15	501 46 85-01	1		1
16	504 35 09-06	1		1, 42
17	504 13 09-06	1		1, 42
18	502 21 36-01	1		1, 42
19	502 84 70-01	1		1, 42
20	501 46 87-01	1		1
21	502 84 71-01	1		1
22	501 46 69-01	1		1
23	537 00 34-01	1		1
24	503 10 87-01	4		1
25	537 40 82-01	1		1
26	501 46 84-01	1		1
27	501 79 59-01	1		1
28	501 66 78-01	1		1
29	544 97 10-01	2		1
30	544 17 76-01	1		1
31	544 97 11-01	1		1
32	502 84 72-01	1		1
33	502 84 73-01	1		1
34	544 97 15-01	1		1
35	544 97 16-01	1		1
36	501 66 61-01	1		1
37	505 52 01-25	1		1
38	502 84 74-01	1		1
39	544 11 15-01	1		1
40	505 42 69-01	1		1
41	503 57 43-01	1		1
42	Delivered with 510 24 20-01. Separate spare part, see page J.			1
43	Delivered with 510 24 20-01. Separate spare part, see page J.			1
44	Delivered with 510 24 20-01. Separate spare part, see page J.			1
45	Delivered with 510 24 20-01. Separate spare part, see page J.			1
46	515 99 96-01	1		

**R1** 2256  
ACCESSORIES

1

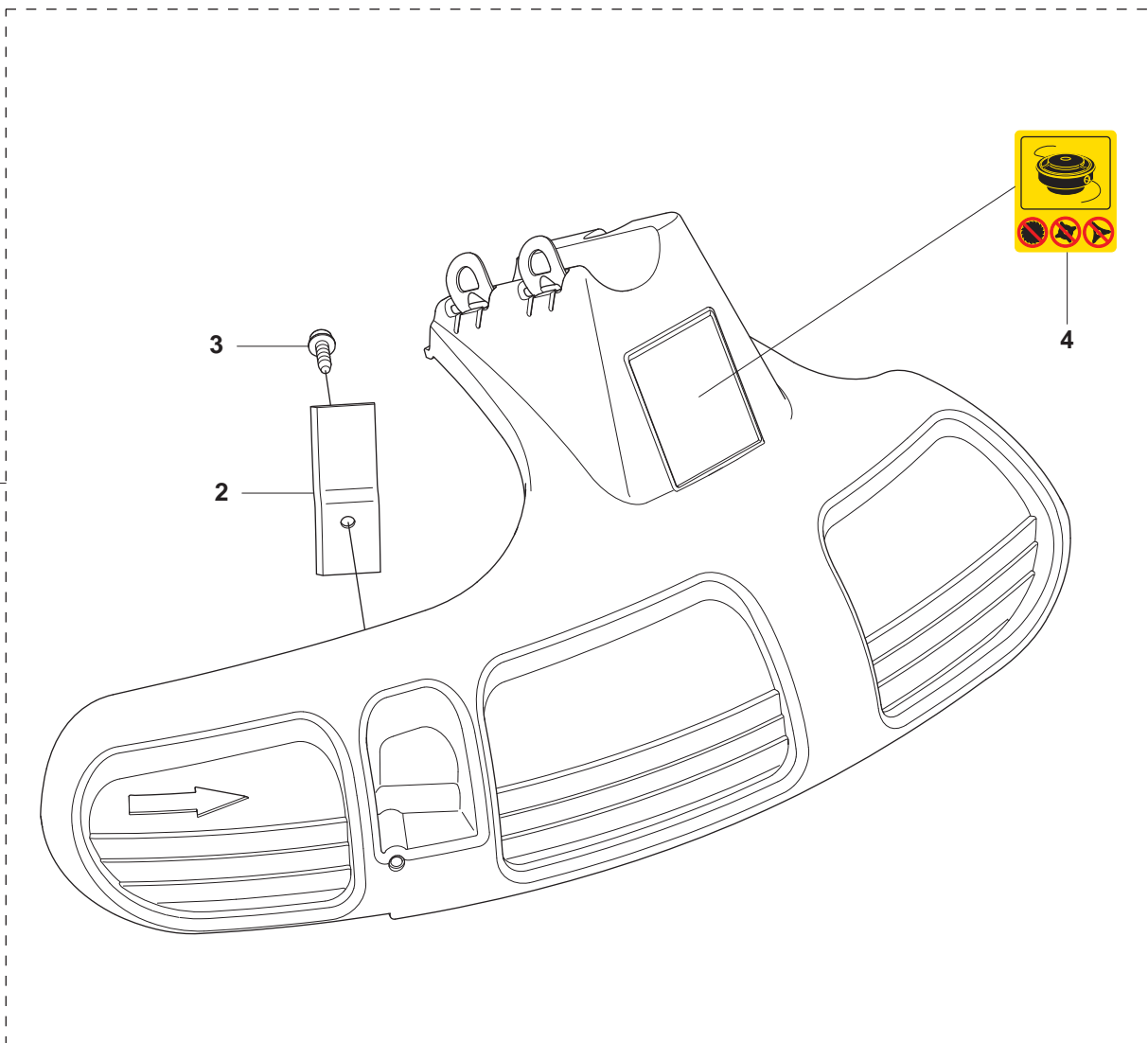


## ACCESSORIES

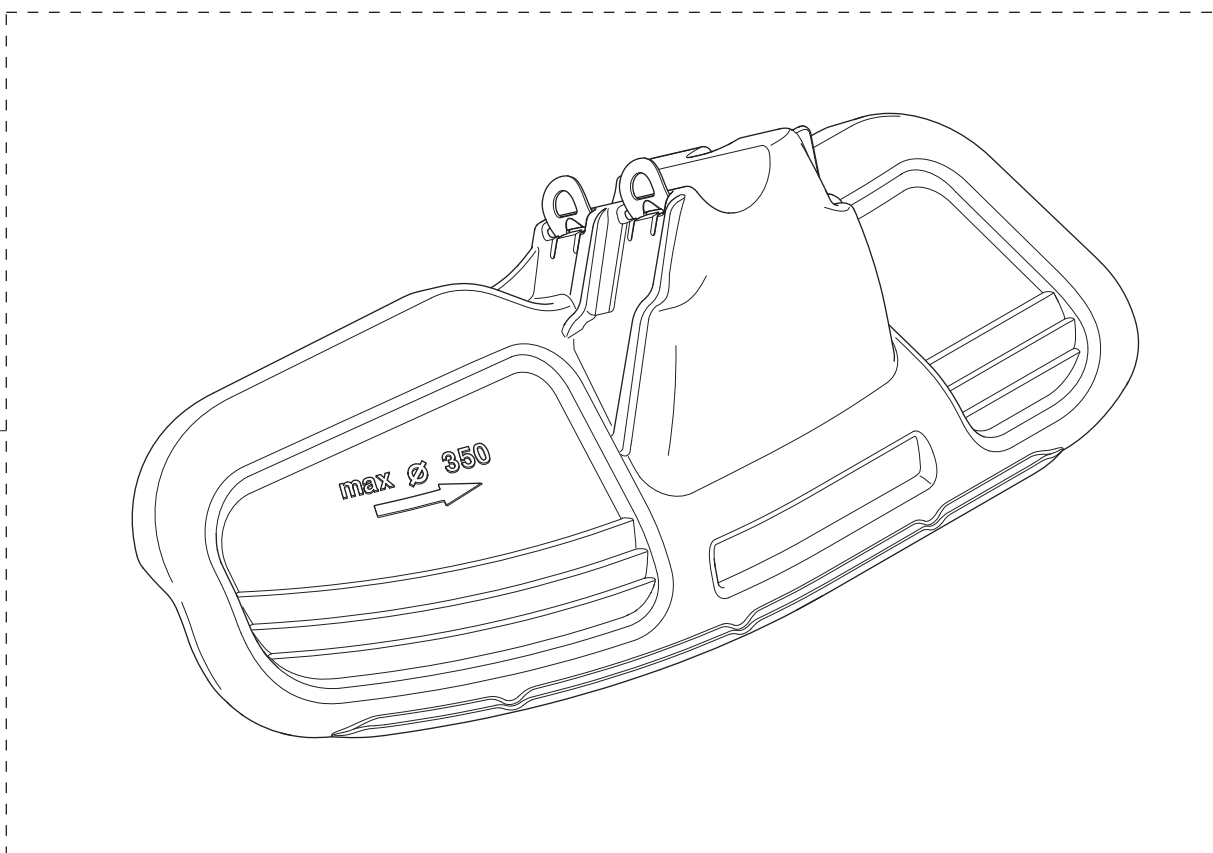
Position	Article	Quantity	Notes	Kit
1	502 21 60-15	1	Incl. Pos. 2-6	
2	501 60 02-03	1		1
3	502 11 46-03	1		1
4	502 21 58-01	1	4mm	1
5	501 69 17-01	1		1
6	502 28 59-01	1		1
7	503 55 86-05	1	5mm	
8	501 19 22-01	1		
9	503 97 64-01	1		
10	503 80 17-01	1		

# R2 BC 2256 ACCESSORIES

1



5



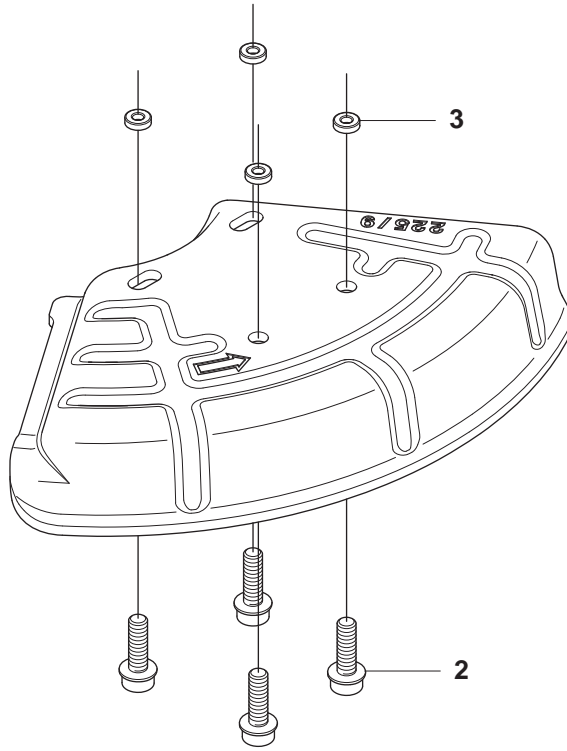


ACCESSORIES

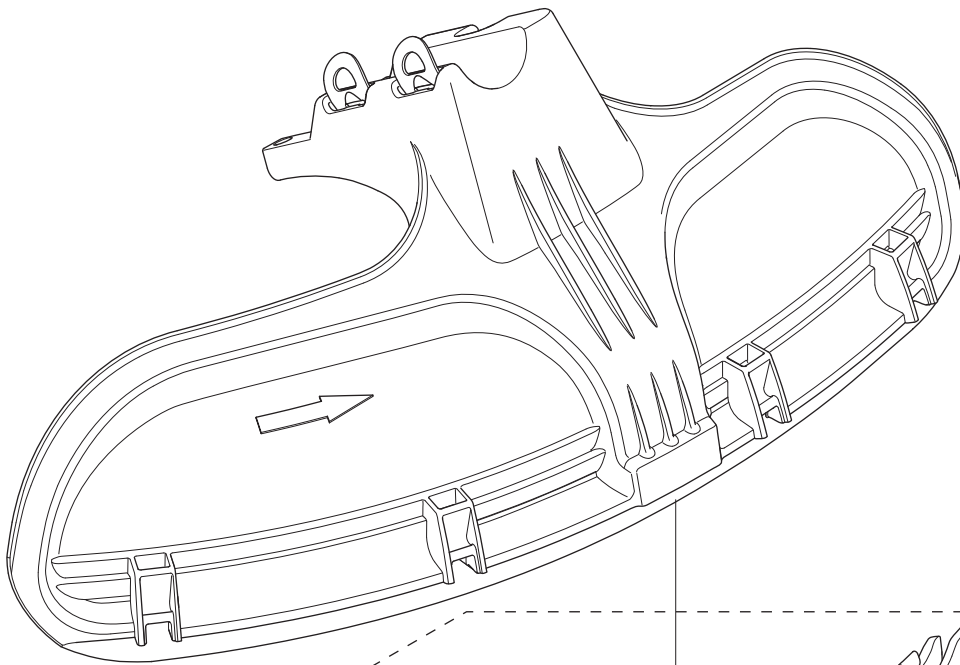
Position	Article	Quantity	Notes	Kit
1	544 10 74-04	1	BC Incl. Pos. 2-4	
2	537 28 53-01	1		1
3	503 21 07-16	1		1
4	503 74 29-01	1		1
5	544 16 03-02	1	BC	

# R3 2256 ACCESSORIES

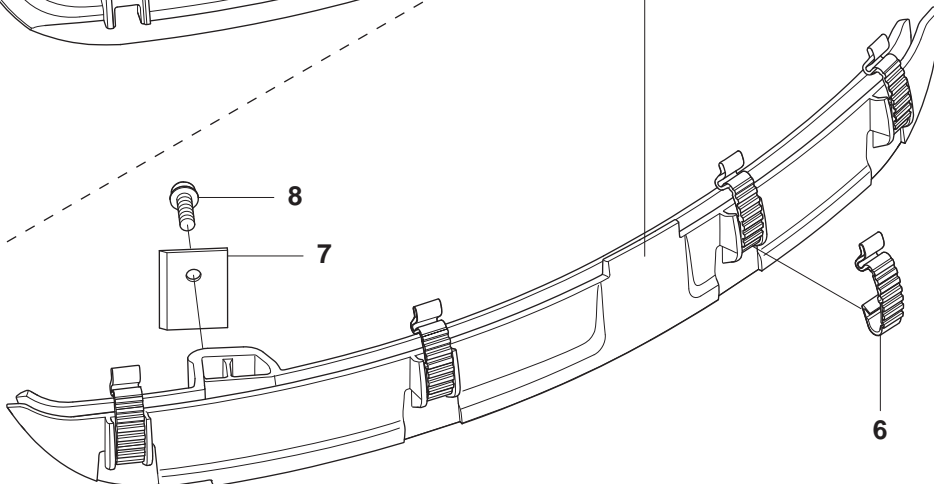
1



4



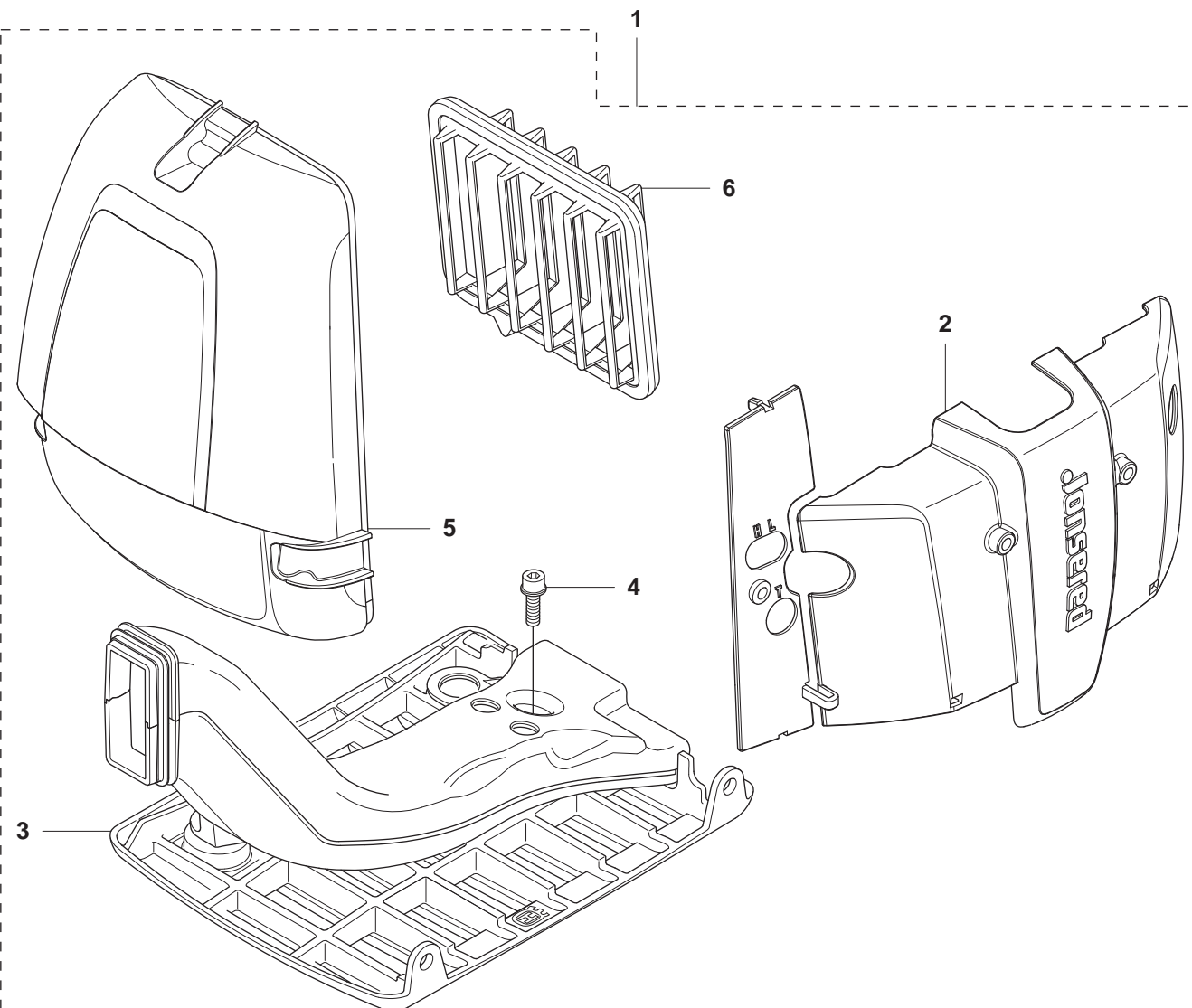
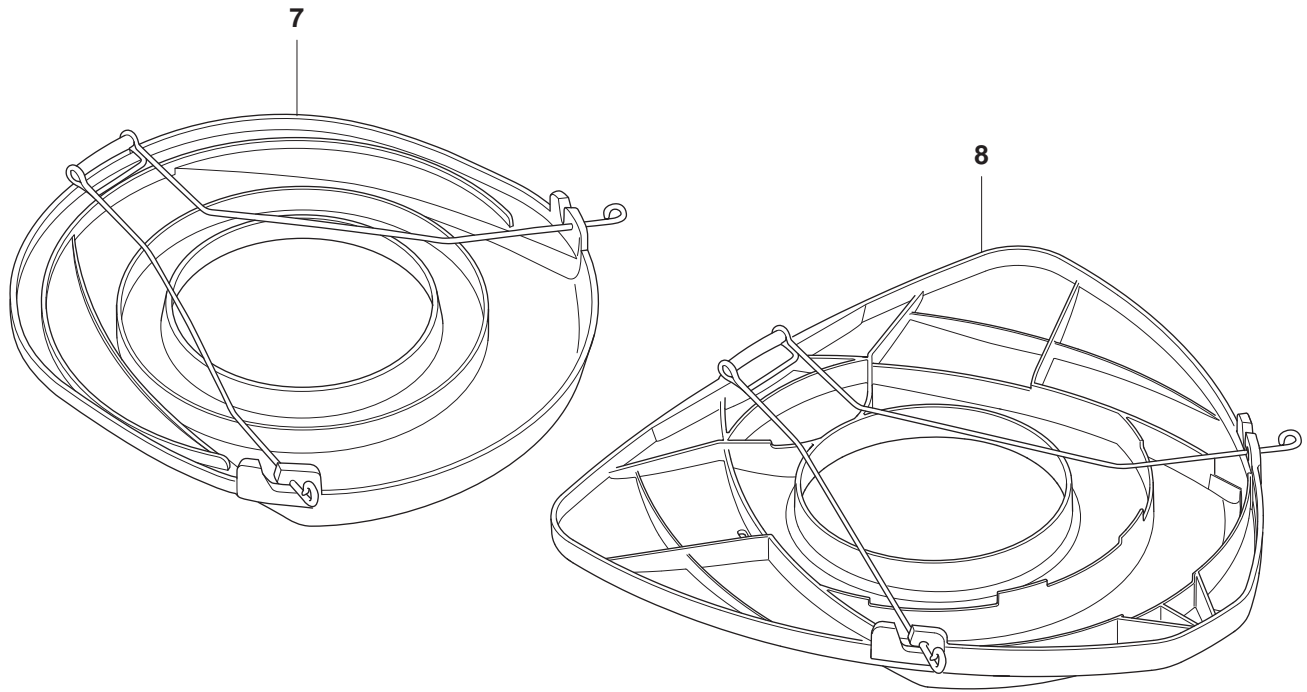
5



ACCESSORIES

Position	Article	Quantity	Notes	Kit
1	574 50 67-02	1	FC, FCW Incl. Pos. 2-3	
2	503 20 03-16	4		1
3	574 03 95-01	4		1
4	544 46 43-03	1	BC Incl. Pos. 5-8	
5	544 46 44-03	1	Incl. Pos. 6-8	4
6	537 38 72-01	4		4, 5
7	503 79 88-01	1		4, 5
8	503 21 07-16	1		4, 5

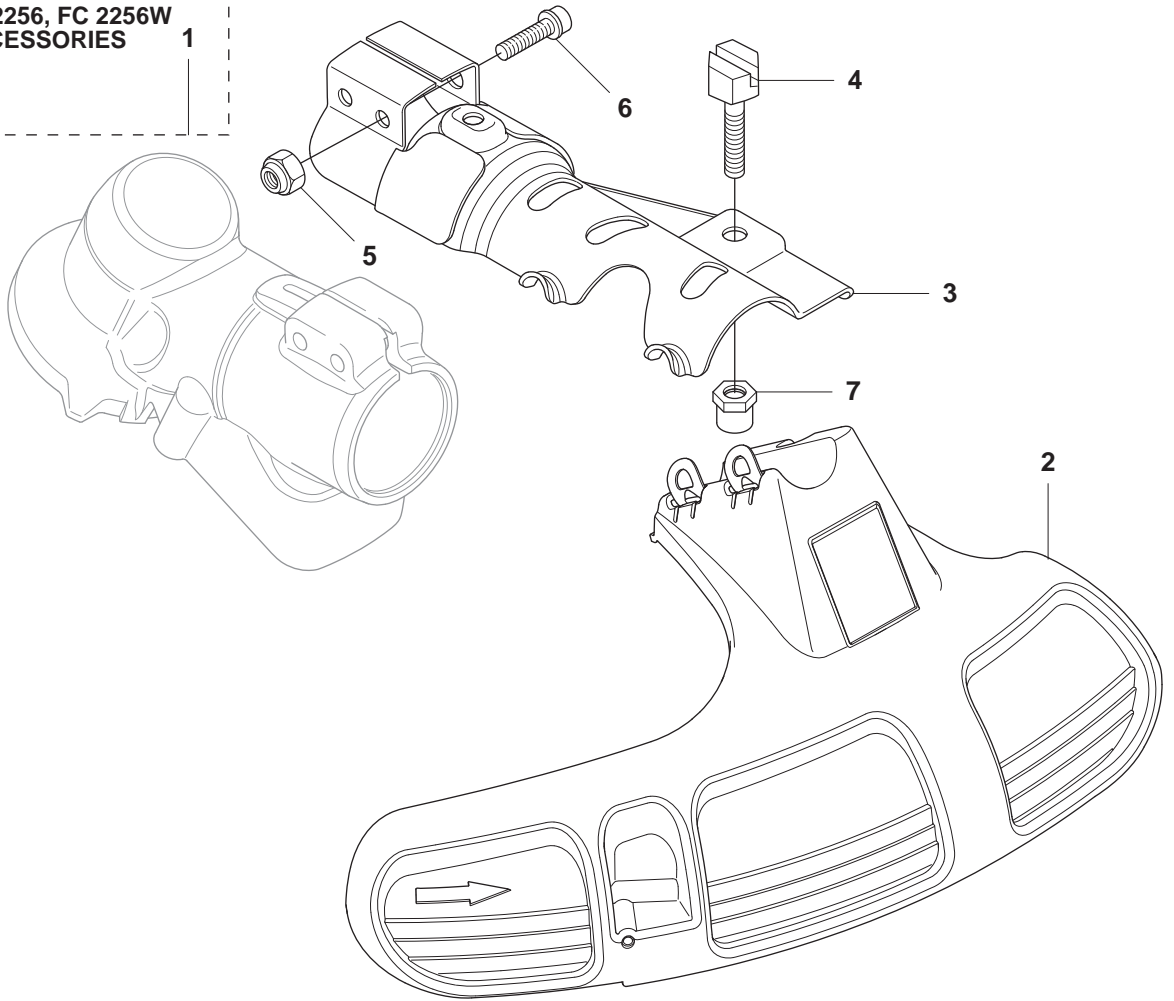
# R4 2256 ACCESSORIES



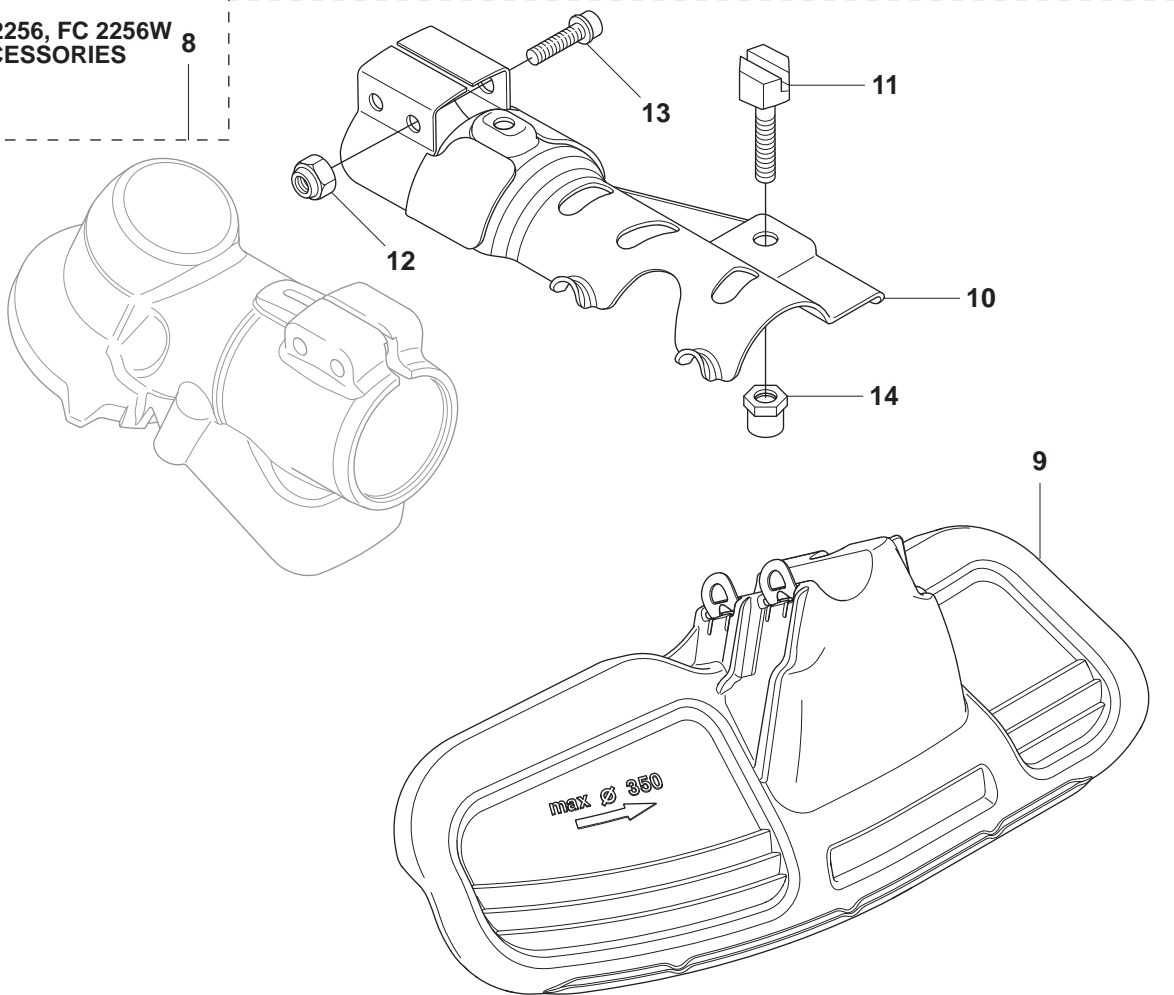
ACCESSORIES

Position	Article	Quantity	Notes	Kit
1	502 43 58-02	1	Winter kit Incl. Pos. 2-6	
2	544 96 16-01	1		1
3	537 35 10-01	1		1
4	503 21 07-16	1		1
5	544 87 03-01	1		1
6	537 41 08-01	1		1
7	537 31 29-01	1		
8	544 35 91-01	1		

**R5** FC 2256, FC 2256W  
ACCESSORIES



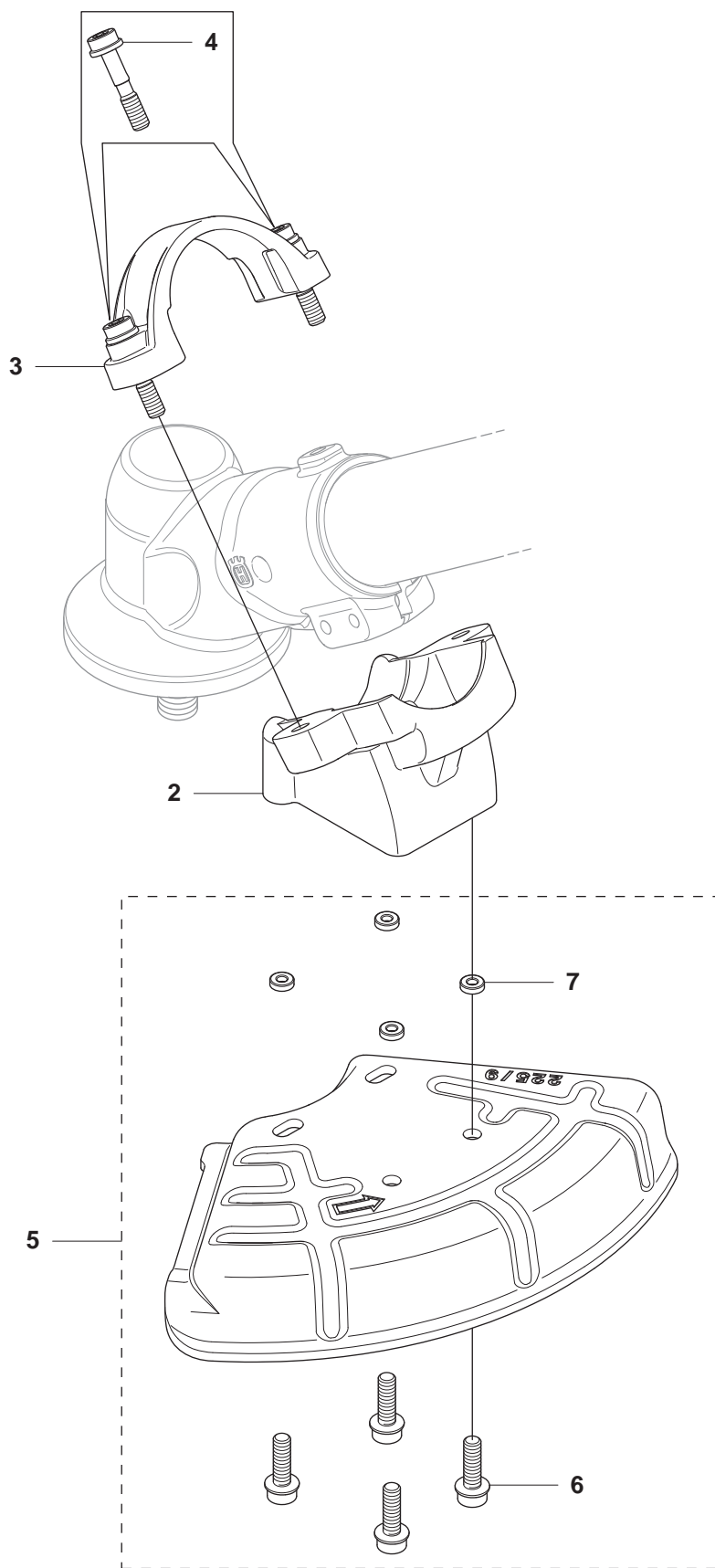
FC 2256, FC 2256W  
ACCESSORIES



Position	Article	Quantity	Notes	Kit
1	502 46 50-02	1	Incl. Pos. 2-7	
2	544 10 74-04	1		1
3	544 89 57-01	1		1
4	537 18 95-01	1		1
5	732 21 16-01	2		1
6	725 53 76-55	2		1
7	505 43 67-01	1		1
8	502 46 49-02	1	Incl. Pos. 9-14	
9	544 16 03-02	1		8
10	544 89 57-01	1		8
11	537 18 95-01	1		8
12	732 21 16-01	2		8
13	725 53 76-55	2		8
14	505 43 67-01	1		8

# R6 BC 2256 ACCESSORIES

1

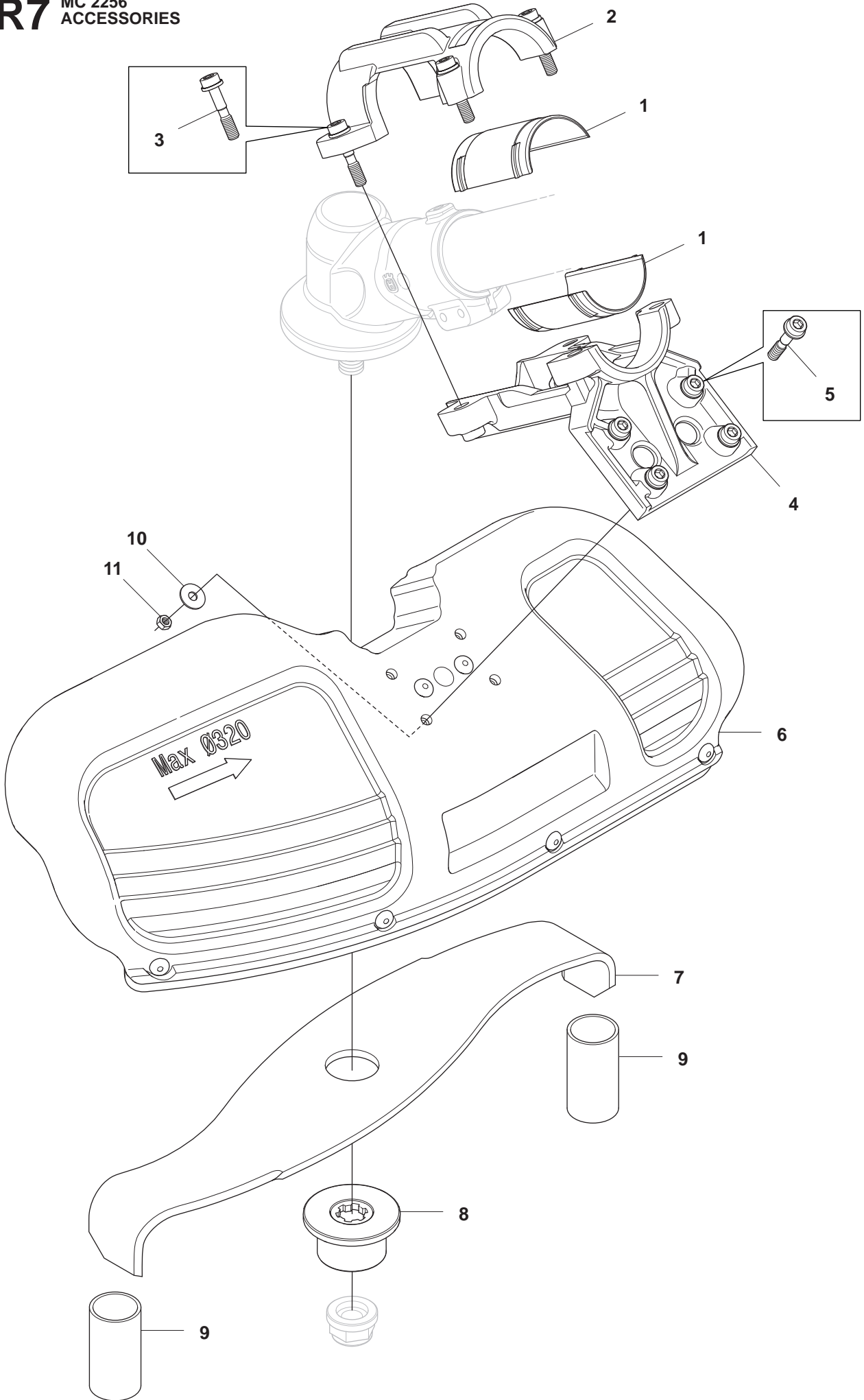




**ACCESSORIES**

<b>Position</b>	<b>Article</b>	<b>Quantity</b>	<b>Notes</b>	<b>Kit</b>
1	502 43 55-01	1	Incl. Pos. 2-7	
2	544 83 69-01	1		1
3	574 52 03-01	1	Spare part incl. Screws Pos. 3	1
4	573 99 43-04	2	Captive Screw M5	1, 3
5	574 50 67-02	1	Incl. Pos. 6-7	1
6	503 20 03-16	4		1, 5
7	574 03 95-01	4		1, 5

**R7** MC 2256  
ACCESSORIES

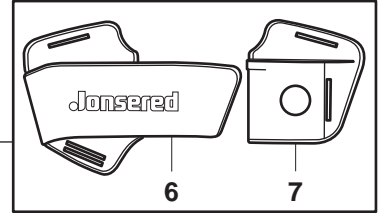


Position	Article	Quantity	Notes	Kit
1	505 12 17-01	2		
2	501 32 14-01	1	Spare part incl. Screws Pos. 3	
3	573 99 43-04	4	Captive Screw M5	2
4	501 32 17-01	1	Spare part incl. Screws Pos. 3	
5	573 99 43-04	4	Captive Screw M5	4
6	544 02 65-03	1		
7	522 82 54-01	1		
8	510 13 94-01	1		
9	537 19 49-01	2		
10	734 11 47-41	4		
11	732 21 14-01	4		

**S** VECTOR 3-55  
HARNESS

1

4



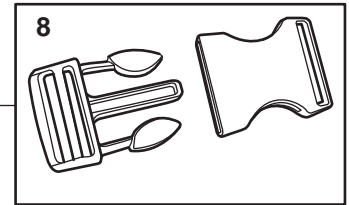
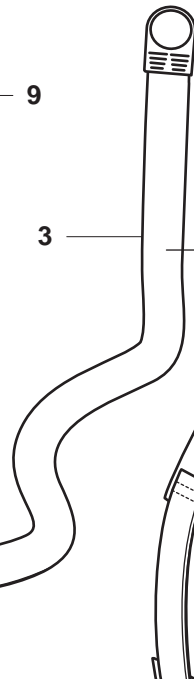
6

7



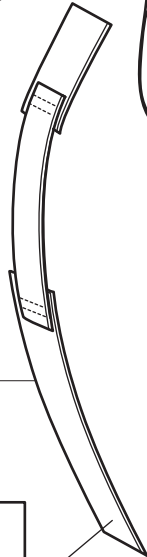
9

3



8

2



5

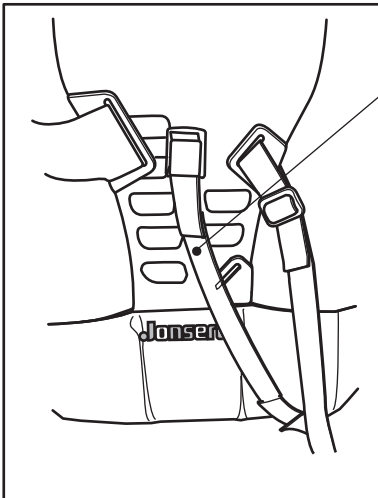
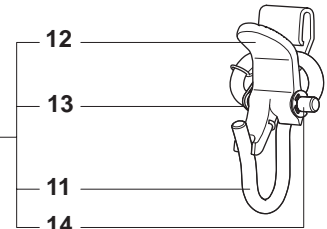
10

12

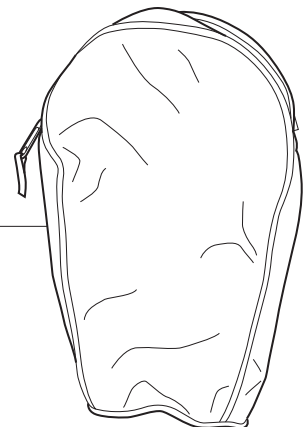
13

11

14



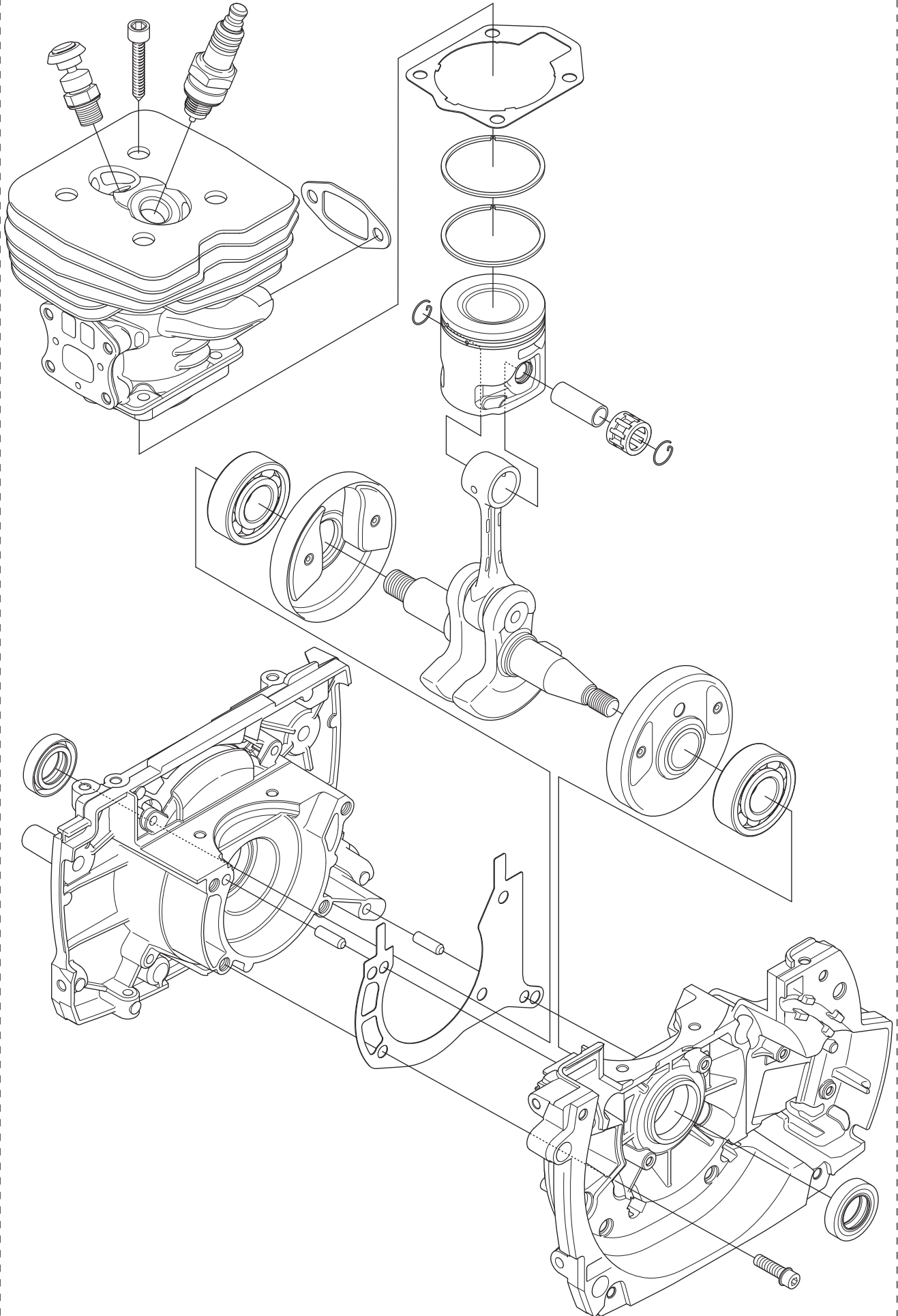
15



Position	Article	Quantity	Notes	Kit
1	504 04 53-01	1	Incl. Pos. 2-14	
2	544 90 17-02	1		1
3	503 99 61-05	1		1
4	503 99 61-01	3		1
5	537 15 35-02	1		1
6	537 27 70-01	1		1
7	537 27 69-01	1		1
8	537 33 15-01	1		1
9	537 11 35-01	1		1
10	544 96 07-02	1	Incl. Pos. 11-14	1
11	502 02 29-02	1		1, 10
12	502 02 30-02	1		1, 10
13	502 02 38-01	1		1, 10
14	735 31 09-20	1		1, 10
15	537 30 66-01	1	VECTOR 3-55 Tool bag	1

**T** 2256  
SHORT BLOCK

1



Position	Article	Quantity	Notes	Kit
1	576 79 88-01	1	Assembled	