

# **LT2317 CMA**

**Spare parts**

**Ersatzteile**

**Pièces détachées**

**Reserve onderdelen**

**Repuestos**

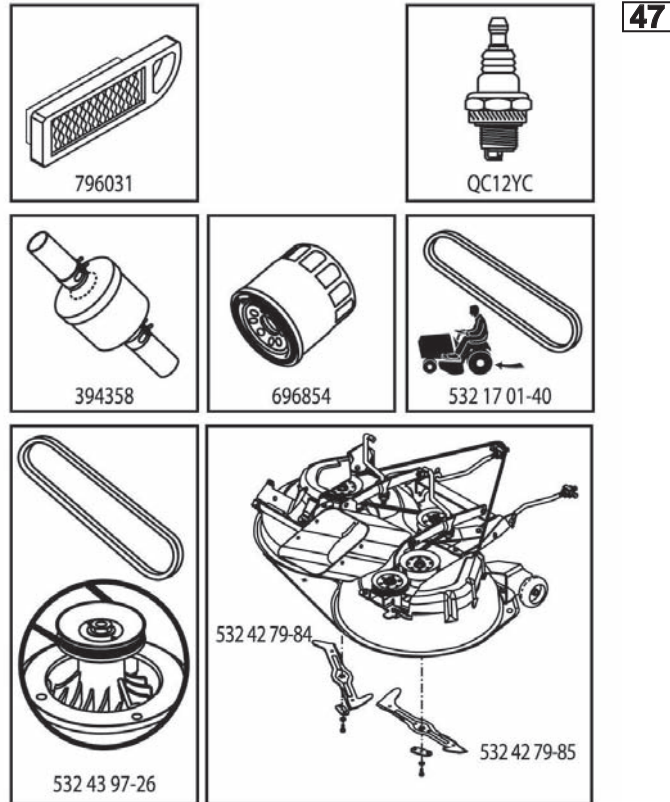
**Reservdelar**

# ILLUSTRATED PARTS LIST

**MFG. ID NO. 96051000500**

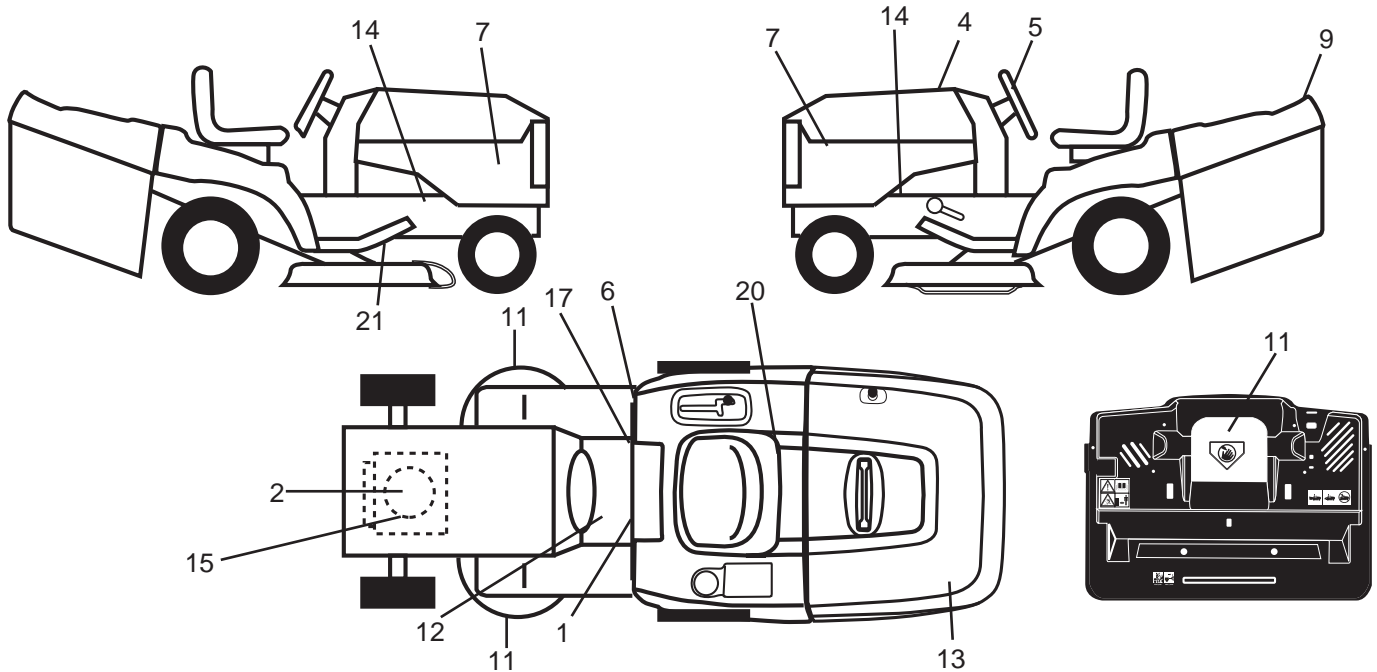
**CUSTOMER CATALOG NO. LT2317CMA**

**PRODUCT NO. 960 51 00-05**



439833

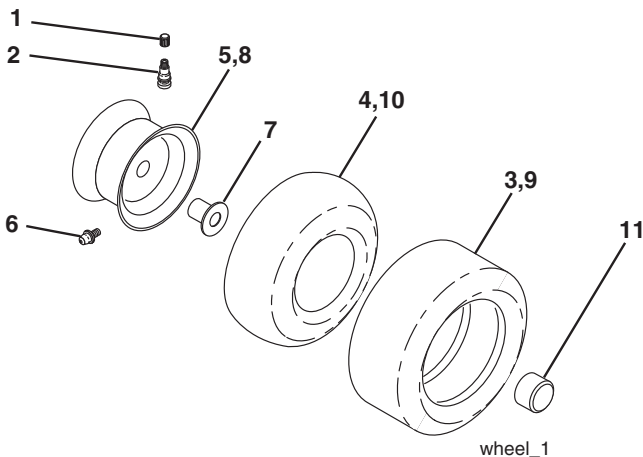
**TRACTOR - - MODEL NO. LT2317CMA (96051000500), PRODUCT NO. 960 51 00-05  
DECALS 27**



KEY NO.	PART NO.	DESCRIPTION
1	532 40 03-89	Decal Warning Sym. CE
2	532 19 68-41	Decal Warning Eng. Sym.
4	532 43 98-33	Decal Replacement
5	532 44 26-47	Decal Wheel Steering
6	532 18 04-32	Decal 100 DBA
7	532 44 10-70	Decal Side Panel
9	532 43 74-43	Decal Fender Logo
11	532 18 21-66	Decal Mower Cut Finger Symbol
12	532 15 97-37	Decal Brake/Clutch Symbol Lt
13	532 43 75-46	Decal Bagger

KEY NO.	PART NO.	DESCRIPTION
14	532 15 97-36	Decal Chassis Hot Muffler
15	532 43 74-82	Decal Engine HP
17	532 14 08-37	Decal Saddle Brake Parking
20	532 16 69-60	Decal Bypass Fender CRD
21	532 44 11-89	Decal Belt Sch CRD
--	532 42 59-28	Pad Footrest RH
--	532 42 59-76	Pad Footrest LH
--	532 44 08-87	Manual Operator's (Euro)
--	532 44 08-89	Manual Operator's (Scan)
--	532 44 08-90	Manual Operator's (E-Bloc)
--	532 44 08-91	Manual Operator's (Baltic)

**WHEELS & TIRES**

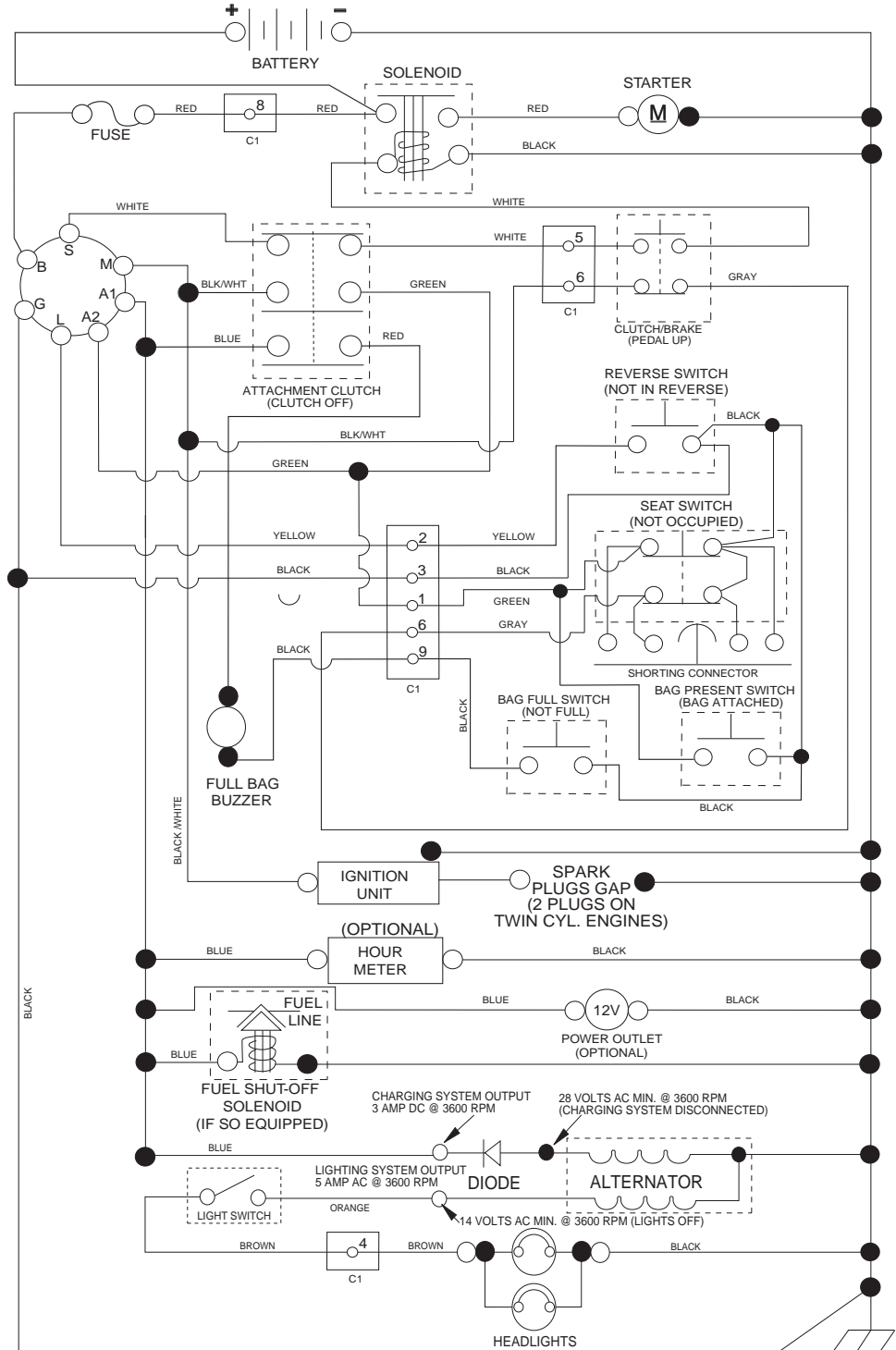


KEY NO.	PART NO.	DESCRIPTION
1	532 05 91-92	Cap Valve Tire
2	532 06 51-39	Stem Valve
3	532 10 62-22	Tire F Ts 15 x 6 0 - 6 Service
4	532 05 99-04	Tube Inner Front #35060
5	532 13 83-36	Rim Asm 6" Front Silver Service
6	532 12 49-57	Fitting Grease
7	532 12 49-59	Bearing Flange
8	532 13 83-37	Rim Asm 8" Rear Silver Service
9	532 42 05-31	Tire R.Ts-LT 18 x 9.5-8 C Ser.
10	532 12 49-26	Tube Rear 9 5 x 8 Service
11	532 17 50-39	Cap Axle Blk 1 50 x 1 00
--	532 14 43-34	Sealant, Tire (10 oz. Tube)

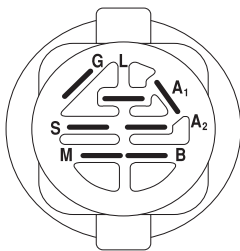
**NOTE:** All component dimensions given in U.S. inches  
1 inch = 25.4 mm

# TRACTOR - - MODEL NO. LT2317CMA (96051000500), PRODUCT NO. 960 51 00-05 SCHEMATIC **38**

SCH17

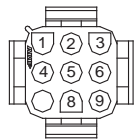


**NOTE**  
YOUR TRACTOR IS EQUIPPED WITH A SPECIAL ALTERNATOR SYSTEM. THE LIGHTS ARE NOT CONNECTED TO THE BATTERY, BUT HAVE THEIR OWN ELECTRICAL SOURCE. BECAUSE OF THIS, THE BRIGHTNESS OF THE LIGHTS WILL CHANGE WITH ENGINE SPEED. AT IDLE THE LIGHTS WILL DIM. AS THE ENGINE SPEED IS INCREASED, THE LIGHTS WILL BECOME THEIR BRIGHTEST.

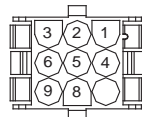


IGNITION SWITCH

POSITION	CIRCUIT	"MAKE"
OFF	M+G+A1	
RUN/OVERRIDE	B+A1	
RUN	B+A1	L+A2
START	B + S + A1	



CHASSIS HARNESS CONNECTOR (C1) (MATING SIDE)



DASH HARNESS CONNECTOR (C1) (MATING SIDE)

WIRING INSULATED CLIPS  
NOTE: IF WIRING INSULATED CLIPS WERE REMOVED FOR SERVICING OF UNIT, THEY SHOULD BE RE-INSTALLED TO PROPERLY SECURE YOUR WIRING.

NON-REMOVABLE CONNECTIONS

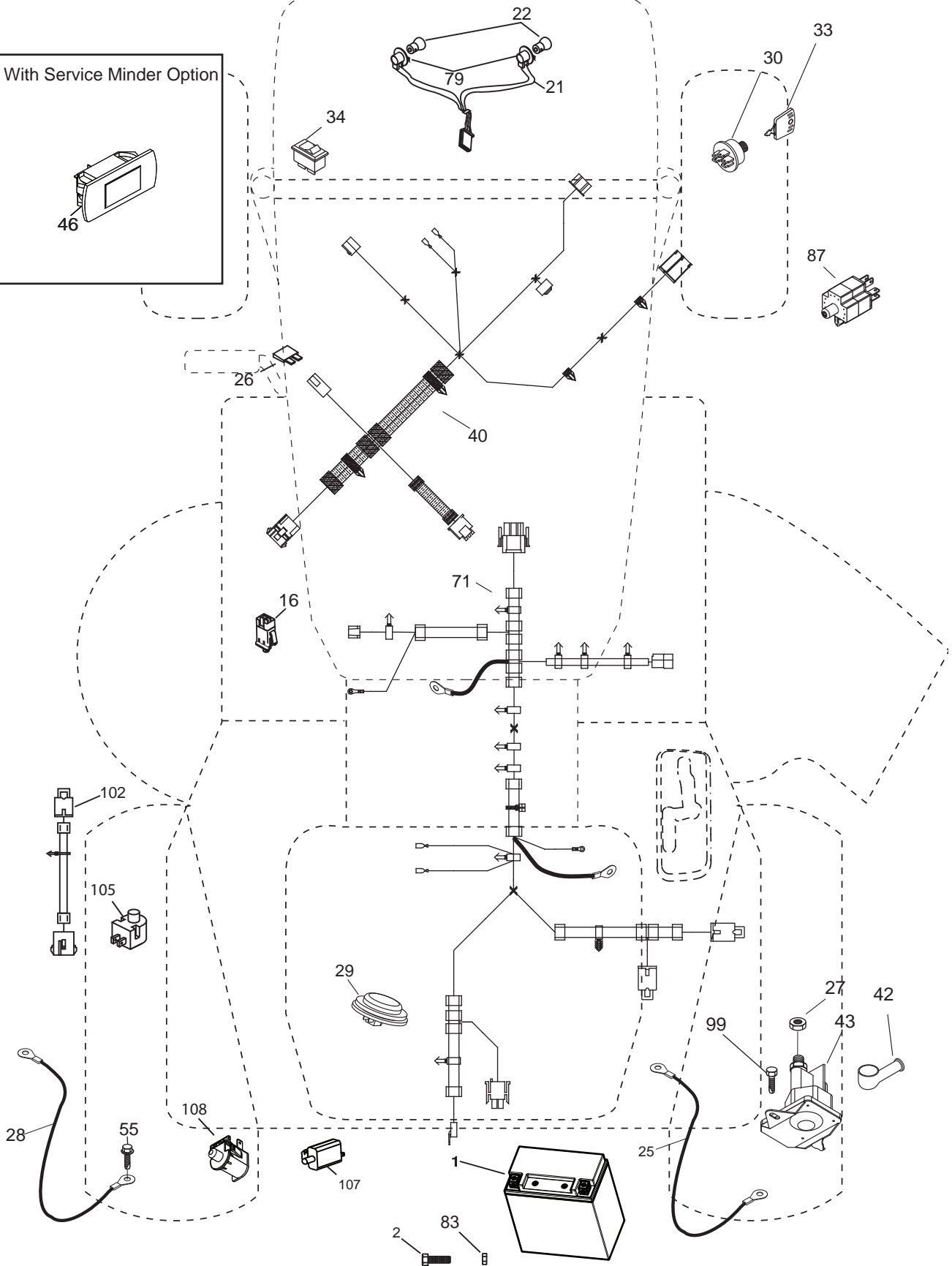
REMOVABLE CONNECTIONS

TRACTOR - - MODEL NO. LT2317CMA (96051000500), PRODUCT NO. 960 51 00-05  
 ELECTRICAL **32**

TC03S

With Service Minder Option

46

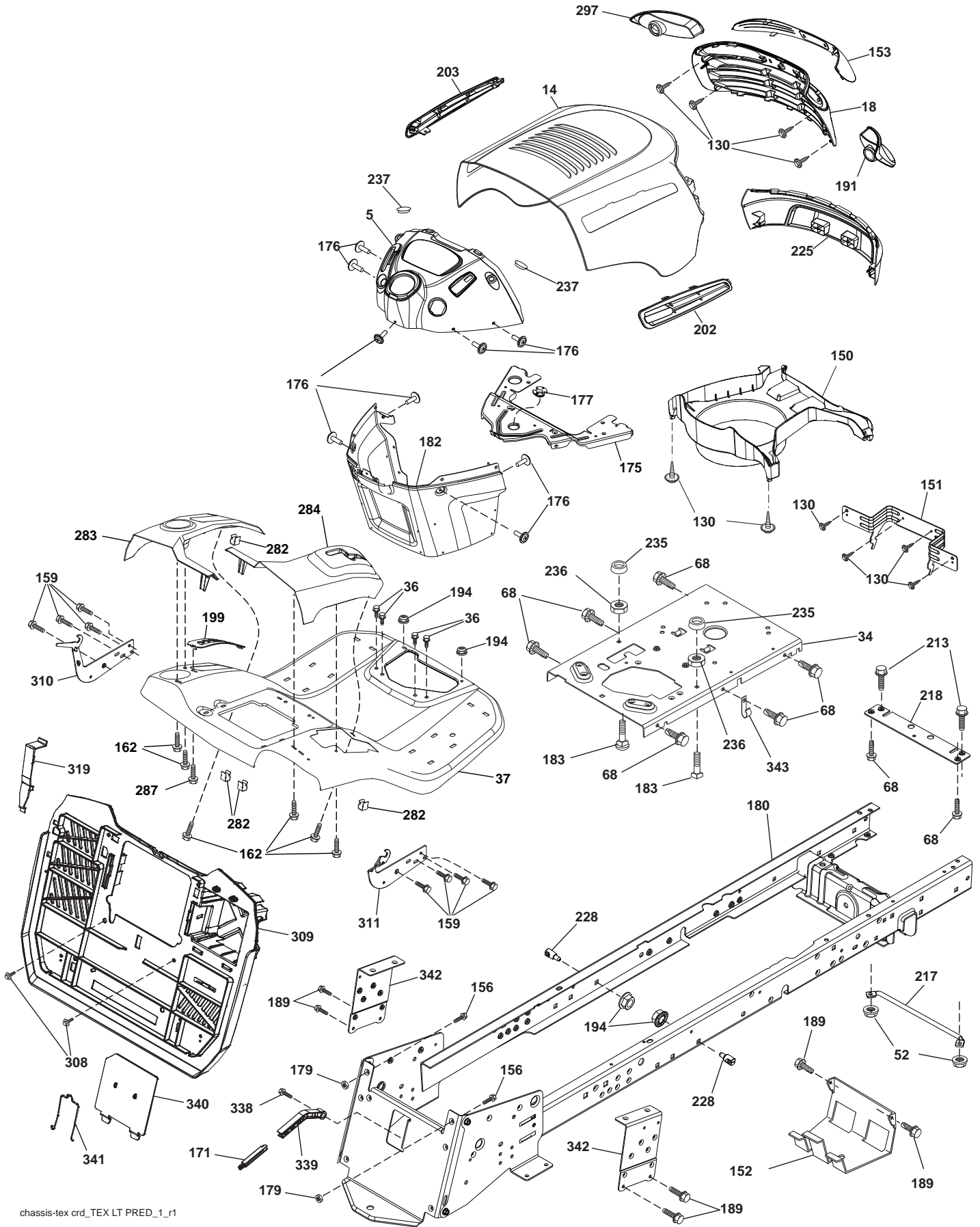


**TRACTOR - - MODEL NO. LT2317CMA (96051000500), PRODUCT NO. 960 51 00-05  
ELECTRICAL 32**

<b>KEY NO.</b>	<b>PART NO.</b>	<b>DESCRIPTION</b>
1	532 43 71-57	Battery
2	532 44 09-23	Screw Hex Hd Cap M6 x 1.12mm
16	532 17 61-38	Switch Interlock
21	532 40 02-52	Harness Asm Light w/4152J
22	532 00 41-52	Bulb Light #1156
25	532 43 71-62	Cable Battery 24" 8 AWG Red
26	532 17 51-58	Fuse
27	873 51 04-00	Nut Keps Hex 1/4-20 unc
28	532 43 71-63	Cable Ground 8 AWG 18" Black
29	532 40 15-45	Switch Seat
30	532 19 33-50	Switch Ignition
33	532 41 19-35	Key/Chain
34	532 11 07-12	Switch Light
40	532 42 10-02	Harness Ignition
42	532 13 15-63	Cover Terminal Red
43	532 19 25-07	Solenoid
55	817 06 05-12	Screw 5/16-18 x 3/4
71	532 44 08-19	Harness Chassis
79	532 17 52-42	Socket Asm.
83	532 43 67-74	Nut Square M6 x 1 x 8.5 x 11mm
87	532 42 10-60	Switch Railmount
99	817 72 04-08	Screw 1/4-20 x 1/2
102	532 40 44-54	Harness Reverse
105	532 40 75-68	Switch Reverse
107	532 18 03-79	Switch Full Bagger Indicator
108	532 42 10-62	Switch Snapmount

**NOTE:** All component dimensions given in U.S. inches  
1 inch = 25.4 mm

TRACTOR - - MODEL NO. LT2317CMA (96051000500), PRODUCT NO. 960 51 00-05  
CHASSIS AND ENCLOSURES **39**



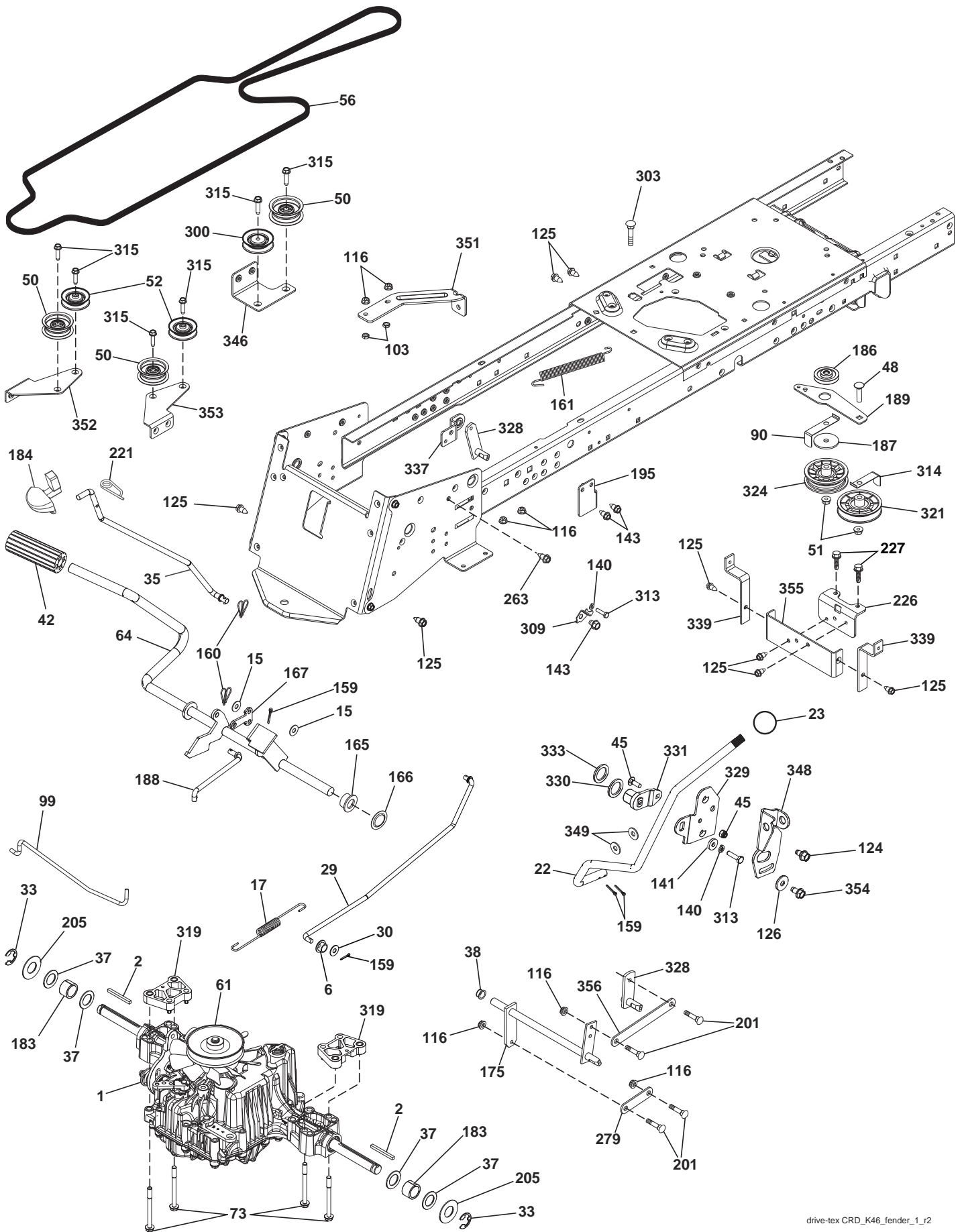
**TRACTOR - - MODEL NO. LT2317CMA (96051000500), PRODUCT NO. 960 51 00-05  
CHASSIS AND ENCLOSURES 39**

<b>KEY NO.</b>	<b>PART NO.</b>	<b>DESCRIPTION</b>	<b>KEY NO.</b>	<b>PART NO.</b>	<b>DESCRIPTION</b>
5	532 40 95-97	Dash	213	874 76 05-12	Bolt 5/16-18 x 3/4
14	532 44 12-87	Hood	217	532 40 91-67	Rod Pivot Hood
18	532 42 65-11	Grille	218	532 19 63-95	X-Piece Hood Stop
34	532 19 61-25	Plate Engine	225	532 42 32-28	Bumper Grille
36	817 06 05-12	Screw 5/16-18 x 3/4	228	532 19 51-61	Stud Fastener
37	532 43 94-60	Fender	235	532 40 61-29	Spacer Fender
52	873 68 05-00	Nut Crown Lock 5/16	236	873 93 05-00	Nut Lock 5/16-18 unc
68	817 49 05-08	Screw Thdrol. 5/16-18 x 1/2	237	532 40 37-04	Plug Mount Cargo
130	532 41 63-58	Screw #10 x 0.750 BOS Thread	282	532 41 41-10	Clip Retainer
150	532 40 02-67	Air Duct	283	532 44 03-61	Console Deck Lift
151	532 18 75-68	Bracket Pivot Hood	284	532 44 12-92	Console Shift
152	532 19 95-35	Shield Browning	287	817 60 04-06	Screw Hex Washhead 1/4-20 x 3/8
153	532 40 97-40	Lens	297	532 40 18-27	Insert Reflective LH
156	872 14 06-14	Bolt 3/8-16 unc x 1-3/4	308	532 17 18-77	Bolt 5/16-18 unc x 3/4
159	817 00 06-12	Screw Kexwsh Thdr 3/8-16 x 3/4	309	532 43 66-26	Backplate Bagger
162	532 14 24-32	Screw Hex Wsh. Hi-Lo 1/4 x 1/2 unc	310	532 43 68-88	Bracket Hangar Bag LH
171	532 44 12-89	Extension Bagger Full	311	532 43 68-89	Bracket Hangar Bag RH
175	532 19 94-72	Crossmember	319	532 17 46-62	Bracket Actuator
176	532 40 07-76	Screw 10-24 x 5/8	338	532 43 66-40	Bolt Shoulder
177	532 19 52-28	Bushing Steering	339	532 44 12-88	Lever Bagger Full
179	532 16 89-37	Nut Push	340	532 44 09-31	Door Battery Tray
180	532 43 54-72	Chassis	341	532 43 66-38	Latch Battery Door
182	532 40 71-76	Dash Lower	342	532 43 59-38	Support Fender
183	874 52 05-20	Bolt 5/16-18 x 1-1/4	343	532 44 07-49	Clip
189	817 00 05-12	Screw 5/16-18 x 3/4			
191	532 41 65-02	Insert Reflective RH			
194	873 90 05-00	Nut Lock Hex Flange 5/16-18			
199	532 41 87-39	Plate Deck Lift			
202	532 42 33-17	Vent Side Hood RH			
203	532 42 33-16	Vent Side Hood LH			

**NOTE:** All component dimensions given in U.S. inches  
1 inch = 25.4 mm



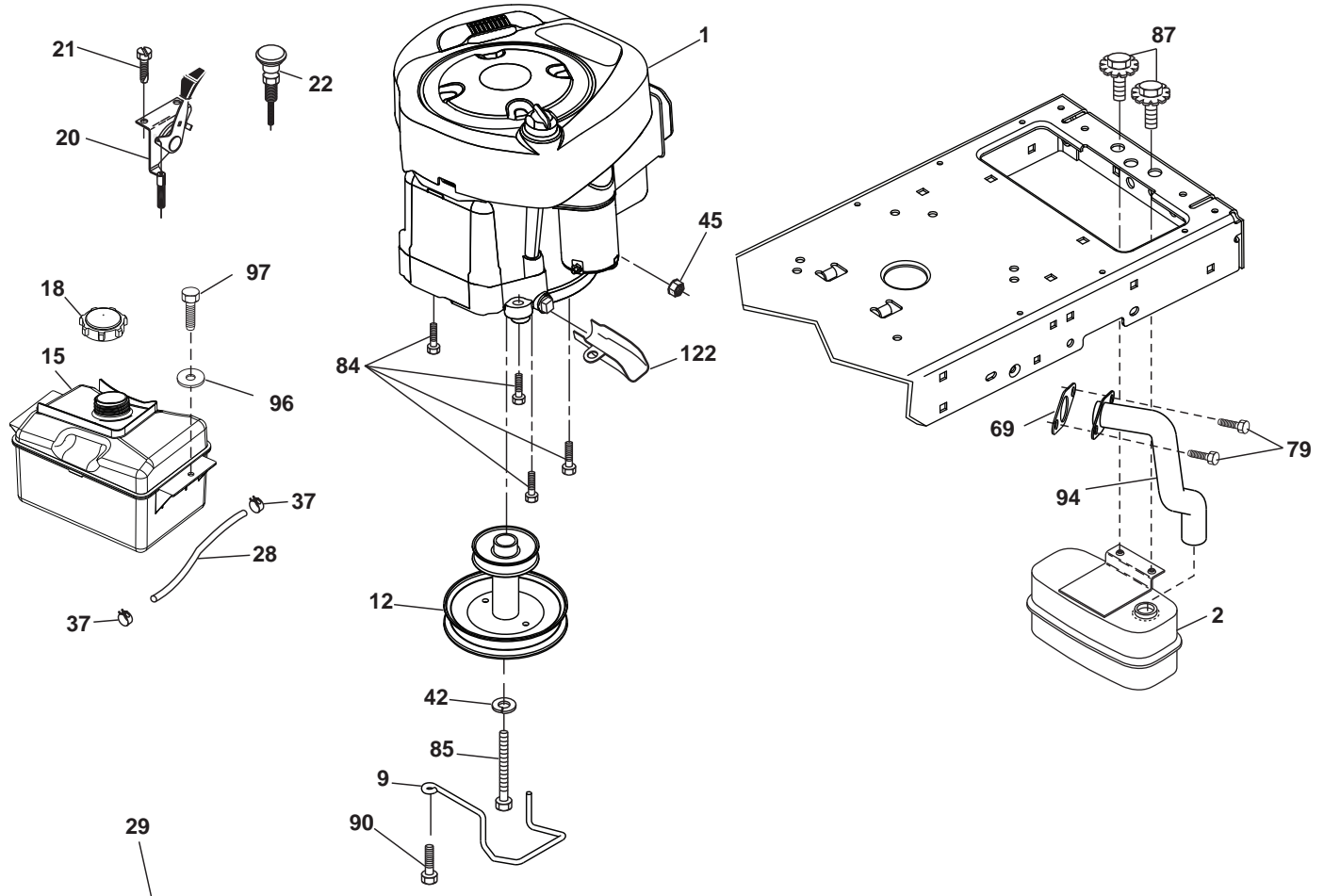
TRACTOR - - MODEL NO. LT2317CMA (96051000500), PRODUCT NO. 960 51 00-05  
DRIVE **40**



**TRACTOR - - MODEL NO. LT2317CMA (96051000500), PRODUCT NO. 960 51 00-05  
DRIVE **40****

KEY NO.	PART NO.	DESCRIPTION	KEY NO.	PART NO.	DESCRIPTION
1	---	Transaxle, Tufftorq K46DC	189	532 43 36-11	Bellcrank Ground Drive
2	532 12 35-83	Key Square	195	532 43 58-65	Bracket Rod Brake
6	532 12 42-08	Bushing Snap	201	532 16 96-12	Bolt Shoulder 5/16-18 unc
15	819 13 13-16	Washer 13/32 x 13/16 x 16 Ga.	205	532 12 17-48	Washer 25/32 x 1-5/8 x 16 Ga.
17	532 43 62-27	Spring, Brake	221	532 40 31-87	Retainer Spring
22	532 43 56-70	Rod Shift	226	532 40 15-64	Bracket Mount Torque
23	532 13 05-64	Knob	227	817 49 05-12	Screw Thdrol 5/16-18 x 3/4
29	532 43 58-81	Rod, Brake	263	817 00 06-12	Screw Thdr 3/8-16 x 3/4
30	819 13 16-16	Washer	279	532 43 72-62	Link Shift
33	812 00 00-01	Ring E	300	532 41 56-80	Pulley Idler V-Groove
35	532 40 10-31	Rod, Brake, Park	303	872 11 06-18	Bolt 3/8-16 x 2-1/4
37	532 12 17-49	Washer 25/32 x 1-1/4 x 16 Ga.	309	532 16 55-80	Plate Fstnr. Cross
38	532 16 96-13	Nyliner Snap In	313	874 78 04-16	Bolt Hex Fin 1/4-20 unc x 1 Gr. 5
42	532 12 48-72	Cover, Foot Pedal	314	532 12 32-05	Retainer Belt Spring
45	873 80 04-00	Lock Nut 1/4-20	315	817 58 05-20	Screw Thdrol 5/16-18 x 1.25
48	872 11 06-12	Bolt Carr. 3/8-16 x 1-1/2 Gr. 5	319	532 43 67-94	Spacer Transaxle
50	532 43 68-12	Pulley Idler Flat	321	532 12 77-83	Pulley Idler Groove
51	873 90 06-00	Lock Nut 3/8-16	324	532 43 82-85	Pulley Idler Composite
52	532 19 95-34	Idler V Pulley Grnd. Dr.	328	532 43 57-58	Shaft Shift Front
56	532 44 18-34	V-Belt, Drive	329	532 43 74-58	Bracket Shift Mount
61	532 43 77-88	Pulley Transaxle	330	532 16 95-93	Washer Nyliner
64	532 19 62-00	Shaft Asm. Pedal Brake Control	331	532 18 39-00	Hub Shift
73	874 49 05-60	Bolt Hex 5/16-18 x 2-1/2 G5	333	532 17 08-68	Washer Spring Wave
90	532 43 98-48	Keeper Belt Clutching	337	532 43 59-37	Bracket Support Shift
99	532 43 72-10	Rod Spring Bypass	339	532 43 68-67	Strap Torque
103	873 35 05-00	Nut Hex Jam 5/16-18 unc	346	532 43 02-08	Bracket V-Idler
116	873 90 05-00	Nut Lock Hex Flange 5/16-18	348	532 43 82-50	Bracket Pivot Lever
124	532 16 54-92	Bolt Shoulder 5/16-18 x .561	349	819 17 12-16	Washer 17/32 x 3/4 x 16 Ga.
125	817 00 05-12	Screw 5/16-18 x 3/4	351	532 43 69-98	Bracket Deck Sway
126	532 16 60-02	Washer Srrtd. 5/16 ID x 1 x .125	352	532 43 58-19	Bracket Idler
140	810 04 04-00	Washer Lock 1/4	353	532 43 65-77	Bracket Idler RH
141	819 09 12-10	Washer 9/32 x 3/4 x 10 Ga.	354	817 49 05-10	Screw 5/16-18 x 5/8
143	817 49 05-08	Screw Thdrol 5/16-18 x 1/2	355	532 43 56-99	Bracket
159	876 02 04-12	Pin Cotter 1/8 x 3/4	356	532 43 64-64	Link Shift Cross Shaft
160	532 16 94-84	Retainer Clip			
161	532 10 57-09	Spring, Return, Clutch			
165	532 19 62-12	Nyliner			
166	532 42 91-64	Nut Push .625			
167	532 40 52-57	Latch Brake Parking			
175	532 44 18-23	Shaft Asm Shift			
183	532 13 70-57	Spacer Axle			
184	532 40 97-47	Handle Parking Brake			
186	532 19 43-21	Spacer Retainer			
187	819 13 32-10	Washer			
188	532 19 43-23	Link Clutch Ground Drive			

**NOTE:** All component dimensions given in U.S. inches  
1 inch = 25.4 mm



**OPTIONAL EQUIPMENT**  
**SPARK ARRESTER**

engine-tex-BS\_39

**TRACTOR - - MODEL NO. LT2317CMA (96051000500), PRODUCT NO. 960 51 00-05  
ENGINE 24**

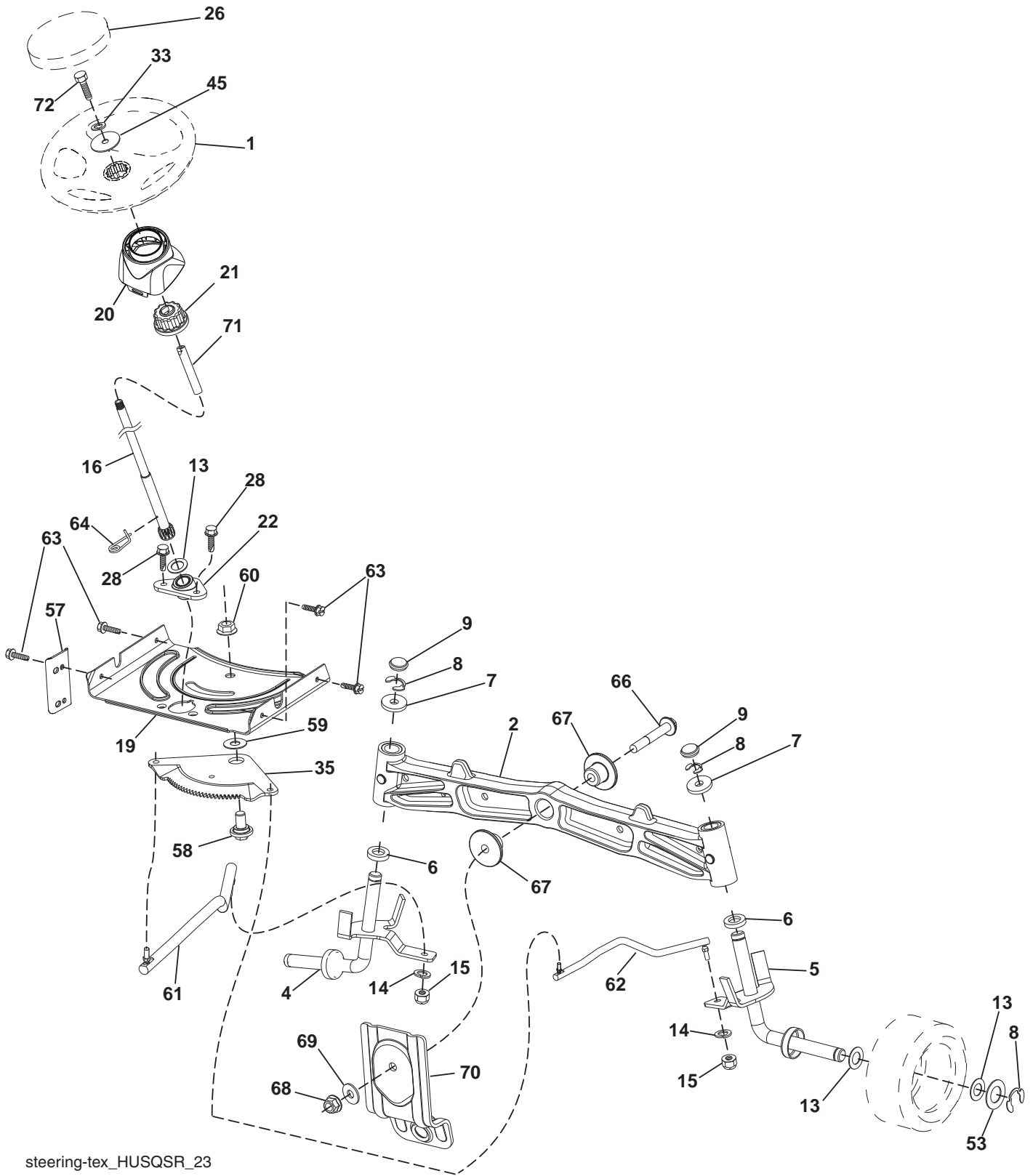
<b>KEY NO.</b>	<b>PART NO.</b>	<b>DESCRIPTION</b>
1	532 43 85-86	Engine Briggs Model 31E777-2439-B1
2	532 18 86-55	Muffler
9	532 19 43-20	Keeper Belt Engine
12	532 40 54-71	Pulley Engine
15	532 40 75-45	Tank Fuel
18	532 43 02-20	Cap Fuel
20	532 18 38-97	Control Throttle/Choke
21	532 41 63-58	Screw #10 x 0.750
22	532 19 49-81	Control Choke
28	532 13 70-40	Line Fuel
29	532 13 71-80	Kit Spark Arrester (Flat Scrn)
37	532 12 34-87	Clamp Hose Blk
42	810 04 07-00	Washer Lock 7/16
45	873 51-04-00	Nut Keps Hex 1/4-20 unc
69	532 16 52-91	Gasket Muffler
79	532 19 23-34	Screw 5/16-18 x .75
84	817 06 06-20	Screw 3/8-16 x 1-1/4
85	532 17 39-37	Bolt 7/16-20 x 4 x Gr. 5-1.5 THR
87	532 17 18-77	Bolt 5/16-18 unc x 3/4 w/Sems
90	817 00 06-16	Screw 3/8-16 x 1
94	532 40 54-50	Exhaust Tube
96	819 09 14-16	Washer 9/32 x 7/8 x 16 Ga.
97	817 67 04-12	Screw Hexwsh Thdrol 1/4-20 x 3/4
122	532 42 19-22	Extension Drain Oil

**NOTE:** All component dimensions given in U.S. inches  
1 inch = 25.4 mm

**Engine Power Rating Information**

The gross power rating for individual gas engine models is labeled in accordance with SAE (Society of Automotive Engineers) code J1940 (Small Engine Power & Torque Rating Procedure), and rating performance has been obtained and corrected in accordance with SAE J1995 (Revision 2002-05). Torque values are derived at 3060 RPM; horsepower values are derived at 3600 RPM. Actual gross engine power will be lower and is affected by, among other things, ambient operating conditions and engine-to-engine variability. Given both the wide array of products on which engines are placed and the variety of environmental issues applicable to operating the equipment, the gas engine will not develop the rated gross power when used in a given piece of power equipment (actual "on-site" or net power). This difference is due to a variety of factors including, but not limited to, accessories (air cleaner, exhaust, charging, cooling, carburetor, fuel pump, etc.), application limitations, ambient operating conditions (temperature, humidity, altitude), and engine-to-engine variability. Due to manufacturing and capacity limitations, Briggs & Stratton may substitute an engine of higher rated power for this Series engine.

TRACTOR - - MODEL NO. LT2317CMA (96051000500), PRODUCT NO. 960 51 00-05  
STEERING ASSEMBLY **41**



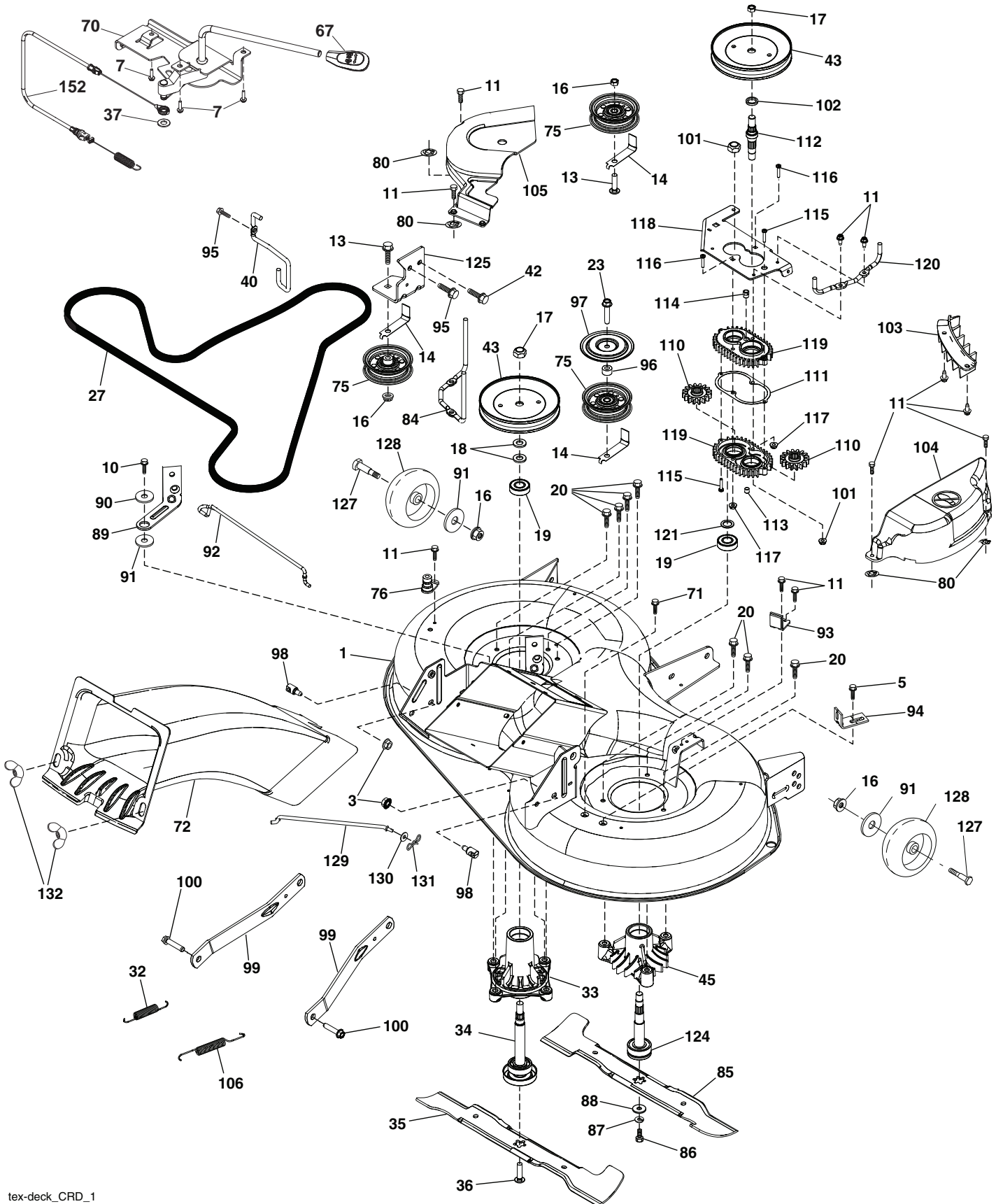
steering-tex\_HUSQSR\_23

**TRACTOR - - MODEL NO. LT2317CMA (96051000500), PRODUCT NO. 960 51 00-05  
STEERING ASSEMBLY **41****

<b>KEY NO.</b>	<b>PART NO.</b>	<b>DESCRIPTION</b>
1	532 19 46-37	Wheel, Steering
2	532 19 59-68	Axle Asm., Front
4	532 40 30-87	Spindle Asm., LH
5	532 40 30-88	Spindle Asm., RH
6	532 12 49-31	Bearing, Race Thrust Harden
7	532 12 17-48	Washer 25/32 x 1-5/8 x 16 Ga.
8	812 00 00-29	Ring, Klip #T5304-75
9	532 12 12-32	Cap, Spindle
13	532 12 17-49	Washer 25/32 x 1-1/4 x 16 Ga.
14	810 04 06-00	Washer, Lock Hvy Hlcl Spr 3/8
15	873 54 06-00	Nut, Crown Lock 3/8-24 unf
16	532 42 93-73	Shaft Steering
19	532 19 47-29	Plate Steering
20	532 42 47-02	Boot, Steering
21	532 18 67-37	Adapter, Wheel Steering
22	532 42 05-37	Strg. Supt. Lower
26	532 19 46-03	Insert, Wheel Steering
28	817 00 06-12	Screw 3/8-16 x 3/4
33	810 04 05-00	Washer Lock 5/16
35	532 19 47-32	Gear, Sector Plate
45	819 11 38-12	Washer 11/32 x 3/8 x 12 Ga.
53	532 18 89-67	Washer Hardened .793 x 1.637 x .060
57	532 40 74-65	Bracket Upstop
58	532 19 47-47	Bolt Shoulder Sector Pivot CFM
59	532 19 47-48	Washer Thrust Sector Steering
60	873 97 10-00	Nut Flange Lock 5/8-11
61	532 19 47-40	Draglink, LH
62	532 19 47-41	Draglink, RH
63	817 00 05-12	Screw 5/16-18 x 3/4
64	532 19 98-49	Retainer Clip Spring Steering
66	871 02 07-48	Bolt Hex Fghd 7/16-14 x 3 Serr
67	532 19 47-37	Bushing PM Front Axle
68	873 90 07-00	Nut Lock Flange 7/16-14 Gr. 5
69	532 19 91-62	Washer 1.5 x .505 x .118
70	532 19 61-97	Bracket Deck Susp. Front
71	532 19 07-52	Shaft Extension Steering
72	532 42 89-82	Bolt Fin Hx 5/16-18 x 4

**NOTE:** All component dimensions given in U.S. inches  
1 inch = 25.4 mm

TRACTOR - - MODEL NO. LT2317CMA (96051000500), PRODUCT NO. 960 51 00-05  
MOWER DECK **44**



tex-deck\_CRD\_1

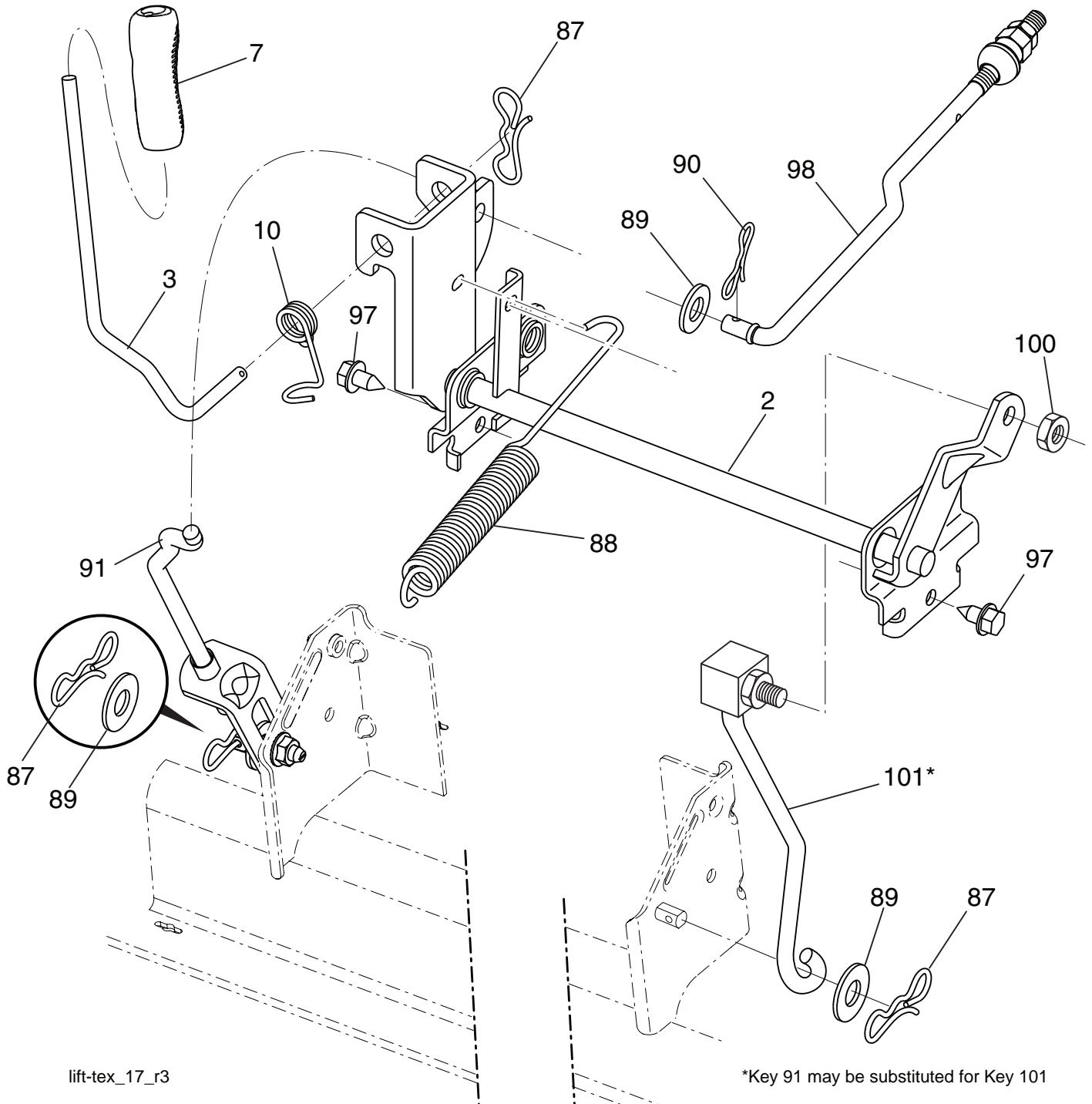
**TRACTOR - - MODEL NO. LT2317CMA (96051000500), PRODUCT NO. 960 51 00-05  
MOWER DECK 44**

KEY NO.	PART NO.	DESCRIPTION	KEY NO.	PART NO.	DESCRIPTION
1	532 44 09-71	Deck Weldment	97	532 18 20-61	Shield Idler Mower
3	873 90 05-00	Nut Lock Hex Flange 5/16 - 18	98	532 19 51-61	Stud Fastener
5	817 00 05-10	Bolt 5/16-18	99	532 19 51-86	Arm Suspension Mower Rear
7	532 41 63-58	Screw #10 x 0.750 BOS Thread	100	532 19 65-39	Bolt Shoulder
11	532 13 77-29	Screw Thd Roll 1/4 - 20 X 5/8	101	873 68 09-00	Nut Crownlock 9/16 - 18 unc
13	872 11 06-12	Bolt Carr Sh 3/8 - 16 X 1 - 1/2 Gr. 5	102	532 40 25-11	Spacer Bearing Swing Plate
14	532 15 60-85	Keeper Belt Idler	103	532 43 69-92	Guard Front Vent
16	873 90 06-00	Nut Lock FIG 3/8 - 16 unc	104	532 43 89-68	Mandrel Cover RH
17	532 40 02-34	Nut Flange Lock Top	105	532 43 87-44	Mandrel Cover LH
18	532 18 76-90	Washer Spacer Mandrel	106	532 19 32-16	Spring Brake Return
19	532 11 04-85	Bearing Ball Mandrel	110	532 41 53-56	Gear Output
20	532 17 39-84	Screw Thread Roll	111	532 43 69-79	Gasket Gearcase
23	817 49 06-28	Screw Thdrol 3/8 - 16 X 1-3/4	112	532 43 69-88	Shaft Gearcase
10	817 00 06-16	Screw 3/8-16x1 smgml tap	113	532 43 85-33	Plug Oil
27	532 43 97-26	V-Belt Drive	114	532 43 85-34	Valve Relief
32	532 40 18-72	Spring Return Deck	115	818 03 10-16	Screw Torx #10-24 x 1
33	532 18 72-81	Housing Mandrel 4pt Service	116	872 11 04-14	Bolt 1/4-20 x 1.75 Gr. 5
34	532 19 28-72	Shaft Asm Mndrl N/Greaseable38	117	873 90 04-00	Nut Hex Flange 1/4-20 unc
35	532 42 79-84	Blade Mower LH	118	532 43 69-89	Arm Clutching
36	532 19 30-03	Bolt/Washer Asm 7/16 - 20 unf	119	532 43 81-66	Gearcase Subasm
37	819 13 13-16	Washer 13/32 x 13/16 x 16 Ga.	120	532 43 69-91	Keeper Belt RH
40	532 19 72-58	Keeper Belt Engine LH	121	532 43 69-85	Washer
42	817 00 05-12	Screw 5/16-18 x 3/4	124	532 43 69-86	Non Greasable Mandrel Shaft
43	532 19 74-73	Pulley Mandrel	125	532 43 69-94	Bracket Idler Chasses
45	532 13 71-52	Housing Mandrel	127	532 19 34-06	Bolt Shoulder 3/8-16 x 3-5/8 Gr. 5
67	532 40 30-12	Handle Clutch Cable	128	532 17 48-73	Wheel Guage
70	532 40 12-46	Clutch Asm Manual LT Pred	129	532 40 48-51	Rod Anti-Sway
71	817 67 06-08	Screw Thdrol 3/8-16 x 1/2	130	819 13 13-12	Washer 13/32 x 13/16 x 12 Ga.
72	532 43 66-58	Chute Upper	131	532 19 42-08	Pin Cotter 5/16 Bow Tie Lock
75	532 13 14-94	Pulley Idler Flat	132	532 17 88-99	Knob Handle
76	532 41 55-98	Washout Port	152	532 44 04-88	Cable Clutch Manual w/Spring
80	532 42 30-62	Palnut 1/4"	--	532 19 28-70	Mandrel Assembly (Includes Housing, Shaft Assembly, And Bearing Only - Pulley/Nut/Washer And Blade Bolt/Washers Not Included)
84	532 43 25-20	Keeper Belt LH Mandrel	--	532 44 03-32	Replacement Mower Complete
85	532 42 79-85	Blade Mower RH			
86	532 18 17-13	Bolt 3/8-24 x 1.50 Gr. 8			
87	810 03 06-00	Washer Lock Hvy 3/8			
88	532 14 02-96	Washer Hard Blade Mower Vented			
89	532 43 81-24	Arm Brake 97 LH			
90	532 19 90-92	Spacer Retainer			
91	819 13 20-12	Washer 13/32 x 1-1/4 x 12 Ga.			
92	532 43 69-93	Rod Brake			
93	532 43 81-25	Arm Brake RH			
94	532 19 72-50	Bracket Clutch Cable			
95	817 00 06-12	Screw 3/8-16 x 3/4			
96	532 40 02-71	Spacer			

**NOTE:** All component dimensions given in U.S. inches  
1 inch = 25.4 mm



TRACTOR - - MODEL NO. LT2317CMA (96051000500), PRODUCT NO. 960 51 00-05  
 MOWER LIFT **45**

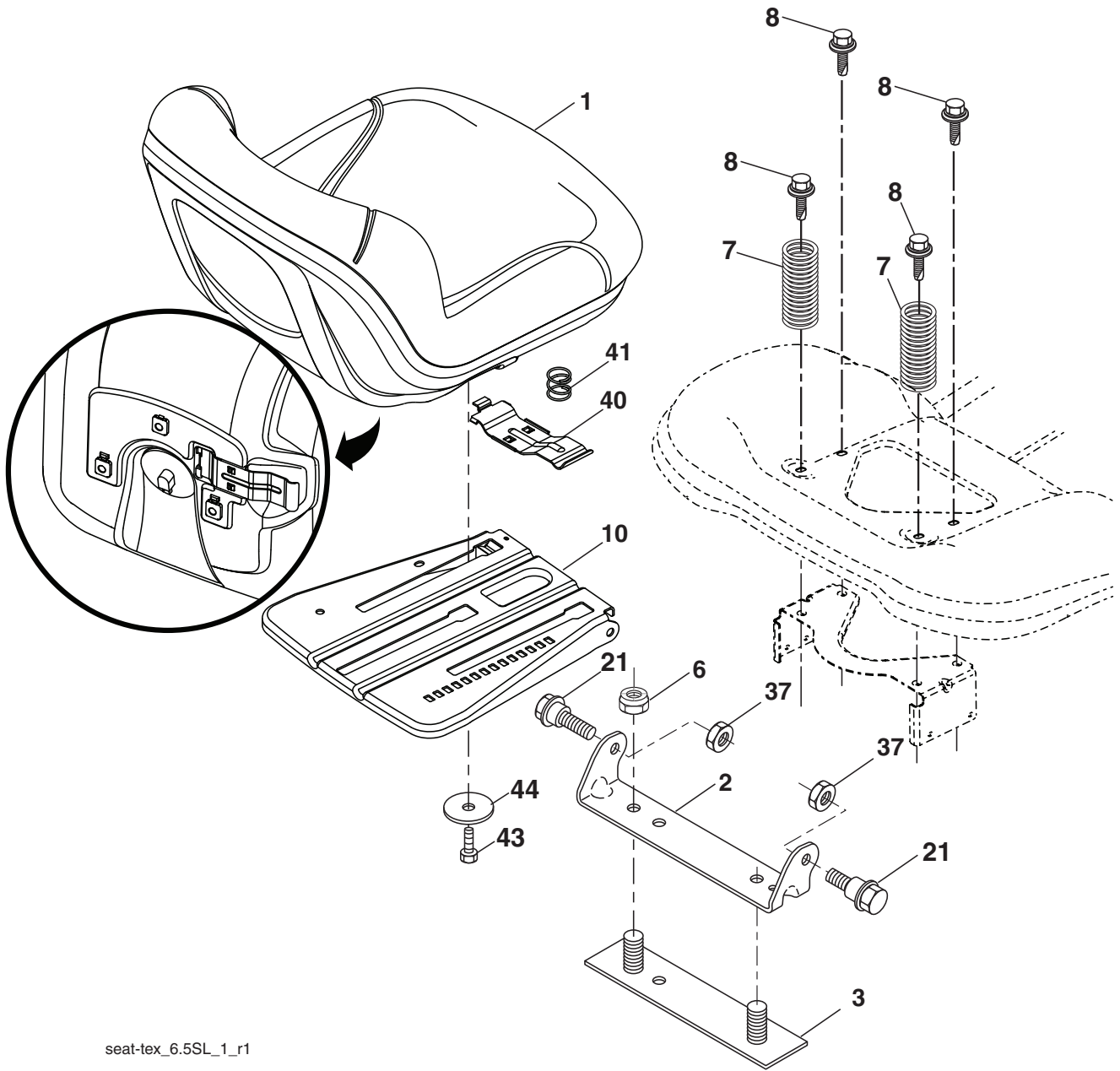


KEY NO.	PART NO.	DESCRIPTION
2	532 43 69-96	Deck Lift
3	532 19 52-31	Lever Asm., Lift RH
7	532 41 15-55	Grip, Lever
10	532 19 63-14	Spring Torsion
87	532 19 42-09	Pin Cotter 7/16 Bow Tie Lock
88	532 43 69-95	Spring Lift Assist
89	819 19 19-12	Washer 17/32 x 1-3/16 x 12 Ga.
90	532 19 42-08	Pin Cotter 5/16 Bow Tie Lock

KEY NO.	PART NO.	DESCRIPTION
91	532 19 51-81	Link Lift Susp Mower Rear
97	817 49 06-08	Screw 3/8-16 x 1/2
98	532 19 52-70	Link Lift Susp. Front Mower
100	873 93 06-00	Nut Centerlock 3/8-16
101	532 40 70-03	Link Asm Lift FXD

**NOTE:** All component dimensions given in U.S. inches  
 1 inch = 25.4 mm

**TRACTOR - - MODEL NO. LT2317CMA (96051000500), PRODUCT NO. 960 51 00-05  
SEAT ASSEMBLY 42**



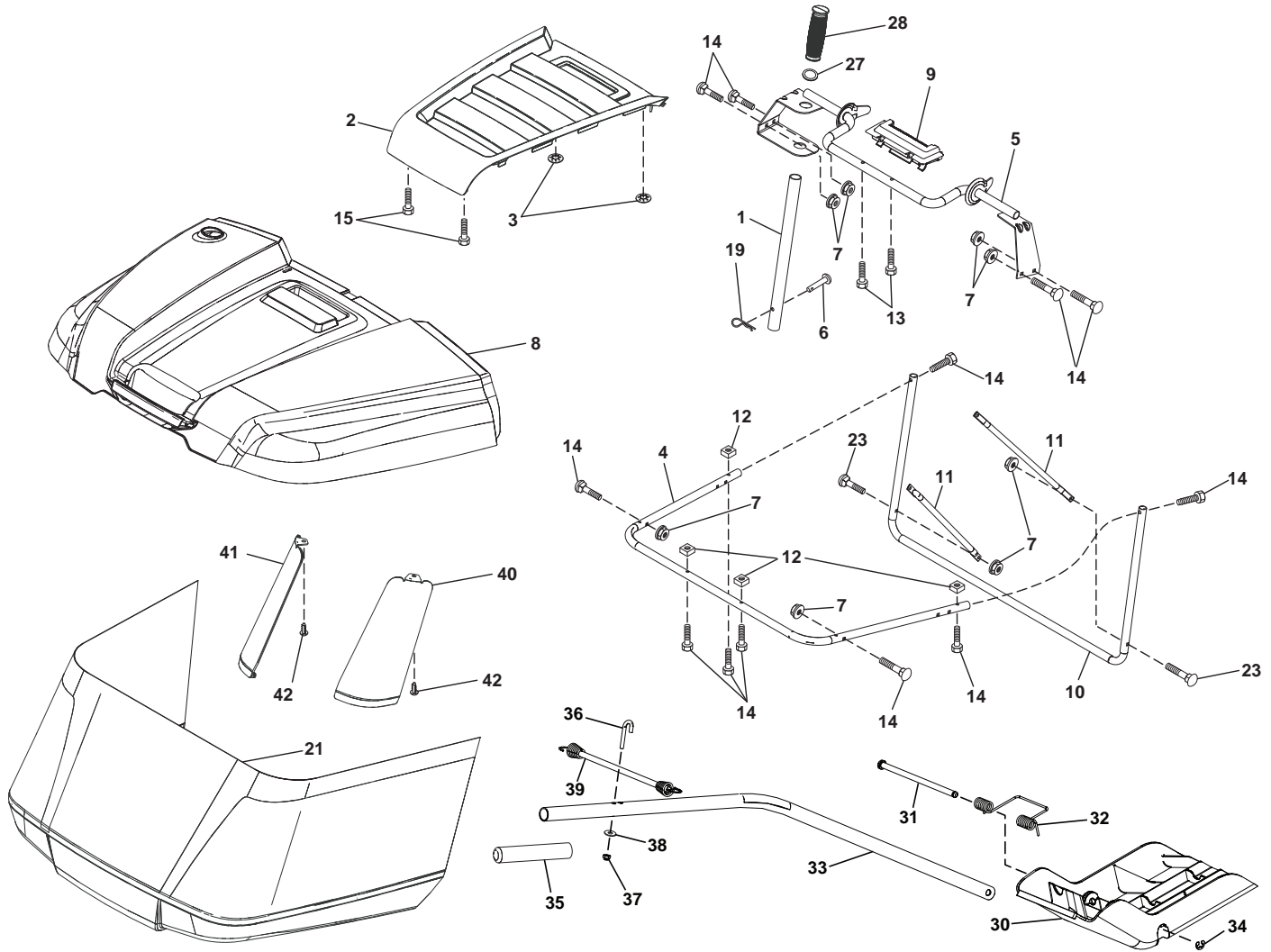
seat-tex\_6.5SL\_1\_r1

KEY NO.	PART NO.	DESCRIPTION
1	532 41 14-05	Seat
2	532 18 01-66	Bracket Pnt Pivot Fender
3	532 14 06-75	Strap
6	873 80 06-00	Nut Lock Hex w/Ins 3/8-16
7	532 12 41-81	Spring Seat Cprsn 2 250 Blk Zi
8	532 17 18-77	Bolt 5/16-18 unc x 3/4
10	532 19 69-77	Pan Pnt Seat
21	532 17 18-52	Bolt Shoulder 5/16-18 unc-2A

KEY NO.	PART NO.	DESCRIPTION
37	873 80 05-00	Nut Hex Lock w/Ins 5/16-18
40	532 19 76-61	Handle Slide
41	532 19 82-00	Spring Latch
43	874 76 06-12	Bolt 3/8-16 unc x 3/4
44	819 13 38-12	Washer 13/32 x 2-3/8 x 12 Ga.

**NOTE:** All component dimensions given in U.S. inches  
1 inch = 25.4 mm

**TRACTOR - - MODEL NO. LT2317CMA (96051000500), PRODUCT NO. 960 51 00-05  
BAGGER 46**



Bagger\_TEX CRD\_6

KEY NO.	PART NO.	DESCRIPTION
1	532 42 86-10	Tube Handle Bagger
2	532 41 71-87	Applique Top Bagger
3	532 41 38-08	Nut Push
4	532 43 96-12	Frame Asm Bagger Top
5	532 41 76-32	Frame Asm Top Bagger
6	532 12 68-75	Rivet Drilled
7	873 90 04-00	Nut Hex Flange 1/4-20 unc
8	532 44 12-61	Cover Bagger
9	532 41 76-29	Insert Handle Bagger
10	532 43 67-70	Frame Front
11	532 43 67-71	Tubing Brace Bagger
12	532 42 17-93	Nut Square 1/4
13	532 42 17-80	Screw 1/4 x 1.150
14	532 42 18-00	Bolt Shoulder 1/2 x 1.150
15	532 42 18-01	Screw #8 Flat Head Drill Tip
19	532 19 42-08	Cotter Pin 5/16 Bow Tie
21	532 43 81-62	Bag Asm
23	872 04 04-10	Bolt Carr. 1/4-20
27	532 42 12-62	Grommet Rubber

KEY NO.	PART NO.	DESCRIPTION
28	532 16 57-87	Grip Handle Black
30	532 43 74-52	Plug
31	532 43 58-61	Pin Hinge
32	532 43 74-54	Spring Double Torsion
33	532 43 84-51	Shaft Mulch Plug
34	532 43 79-88	E-Ring 5/16
35	532 43 91-39	Grip Mulch Plug
36	532 43 90-98	Bolt J
37	532 06 91-80	Nut Lock #10-24 unc
38	819 07 08-18	Washer 7/32 x 1/2
39	532 43 92-42	Bungee
40	532 43 94-18	Support Bagger Corner RH
41	532 43 94-35	Support Bagger Corner LH
42	532 44 04-28	Christmas Tree Clip

**NOTE:** All component dimensions given in U.S. inches  
1 inch = 25.4 mm

