

# LM2150 CMD

**Spare parts**

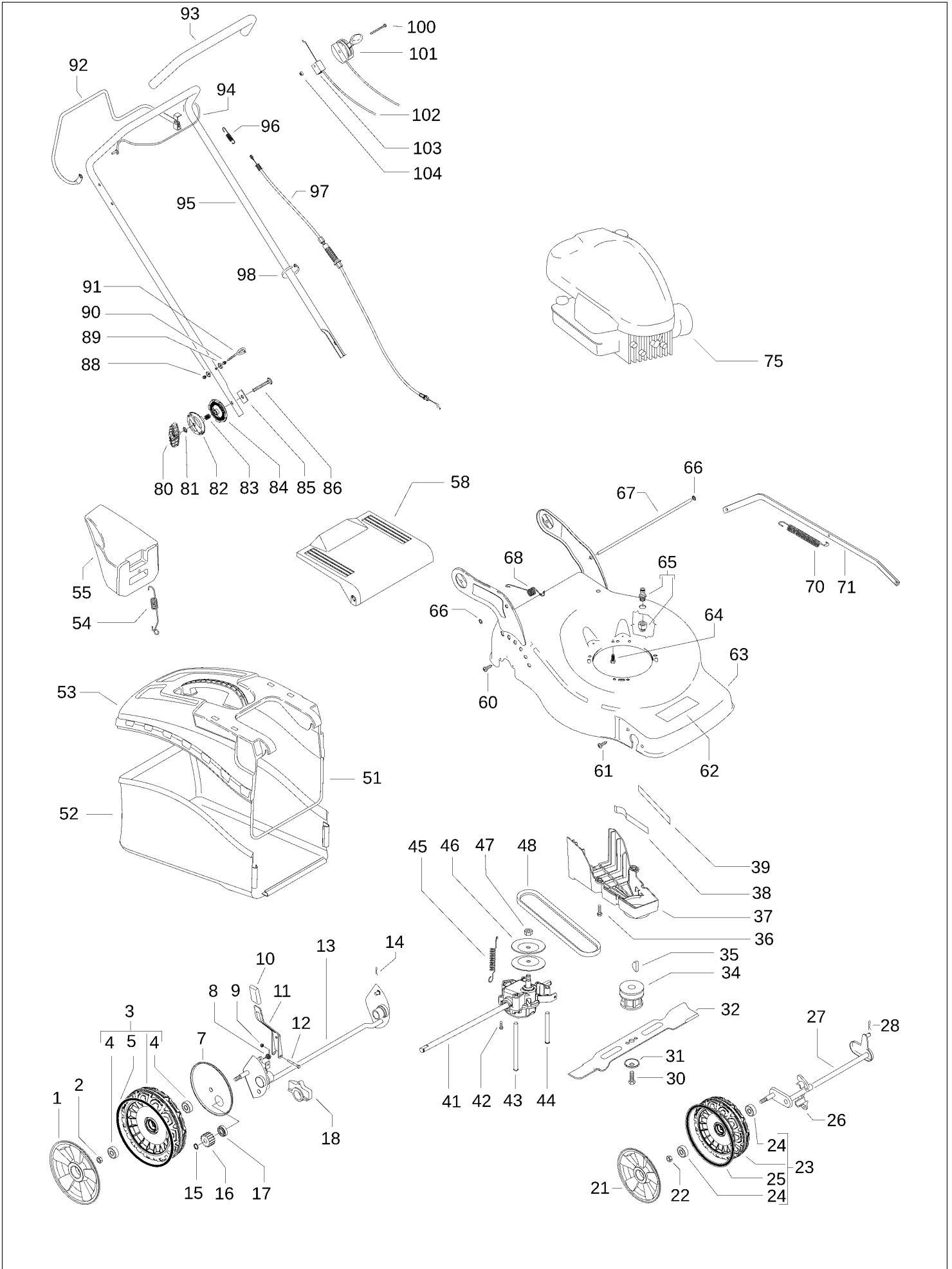
**Ersatzteile**

**Pièces détachées**

**Reserve onderdelen**

**Repuestos**

**Reservdelar**



| Item | PN           | Description                   | Qty |
|------|--------------|-------------------------------|-----|
| 1    | 544 44 61-01 | wheel cover Ø210              | 2   |
| 2    | 504 85 78-01 | nut M8, self locking, flanged | 2   |
| 3    | 502 44 56-03 | wheel assy Ø210               | 2   |
| 4    | 504 54 82-01 | ball bearing                  | 2   |
| 5    | 544 43 28-03 | o-ring, wheel Ø210            | 2   |
| 7    | 504 82 73-01 | dust shield Ø210              | 2   |
| 8    | 531 21 08-17 | spring, wheel regulator lever | 1   |
| 9    | 531 20 84-92 | nut M5, self locking          | 1   |
| 10   | 531 20 79-86 | handle, wheel regulator       | 1   |
| 11   | 501 97 99-01 | wheel regulator lever         | 1   |
| 12   | 538 23 58-07 | screw M5x45                   | 1   |
| 13   | 504 80 01-01 | rear axle                     | 1   |
| 14   | 531 20 66-53 | cotter pin                    | 1   |
| 15   | 531 20 87-72 | seeger                        | 2   |
| 16   | 544 34 23-01 | gear                          | 2   |
| 17   | 531 20 87-78 | ball bearing                  | 2   |
| 18   | 531 20 59-44 | rear axle housing             | 2   |
| 21   | 544 44 59-01 | wheel cover Ø190              | 1   |
| 22   | 504 85 78-01 | nut M8, self locking, flanged | 2   |
| 23   | 502 44 50-03 | wheel assy Ø190               | 2   |
| 24   | 504 54 82-01 | ball bearing                  | 2   |
| 25   | 544 43 31-03 | o-ring, wheel Ø190            | 2   |
| 26   | 531 20 50-57 | front axle housing            | 4   |
| 27   | 504 85 65-01 | front axle                    | 1   |
| 28   | 531 20 66-53 | cotter pin                    | 1   |
| 30   | 531 20 80-08 | screw, 3/8"                   | 1   |
| 31   | 531 20 72-37 | spring washer                 | 1   |
| 32   | 504 11 33-01 | blade                         | 1   |
| 34   | 531 20 61-69 | blade support                 | 1   |
| 35   | 505 29 09-01 | key                           | 1   |
| 36   | 531 20 78-56 | screw 5x10                    | 3   |
| 37   | 544 46 23-01 | belt cover                    | 1   |
| 38   | 504 04 61-01 | belt guide                    | 1   |
| 39   | 544 46 25-01 | belt guide                    | 1   |
| 41   | 544 34 32-04 | gear box                      | 1   |
| 42   | 538 24 08-62 | screw 4x18, self threading    | 2   |
| 43   | 504 10 31-01 | belt guide                    | 1   |
| 44   | 544 93 43-01 | belt guide                    | 1   |
| 45   | 544 93 47-01 | gear box spring               | 1   |
| 46   | 504 54 79-01 | pulley plate                  | 2   |
| 47   | 504 54 80-01 | nut                           | 2   |
| 48   | 504 10 33-01 | belt Z30 10X765               | 1   |
| 51   | 531 21 35-88 | sack frame                    | 1   |
| 52   | 531 21 32-11 | sack                          | 1   |
| 53   | 531 21 35-87 | sack cover                    | 1   |
| 54   | 531 21 11-91 | spring, mulching plug         | 1   |
| 55   | 531 21 33-93 | mulching plug                 | 1   |
| 58   | 544 25 55-01 | safety flap                   | 1   |
| 60   | 531 20 82-16 | screw 5x16, self threading    | 2   |
| 61   | 531 20 88-44 | screw 4.3x16, self threading  | 4   |
| 62   | 531 21 29-34 | label, Jonsered               | 1   |
| 63   | 515 99 14-42 | deck                          | 1   |
| 64   | 531 21 28-51 | screw 3/8" + split washer     | 3   |
| 65   | 531 20 58-48 | snap on connector 1/2"        | 1   |
| 66   | 531 21 08-24 | lock washer                   | 2   |
| 67   | 531 20 50-60 | safety flap bar               | 1   |

| Item | PN           | Description  | Qty |
|------|--------------|--|-----|
| 68   | 531 21 18-40 | spring   | 1   |
| 70   | 531 20 50-56 | wheel regulation spring                            | 1   |
| 71   | 531 21 32-63 | wheel regulation bar                               | 1   |
| 75   | ————         | engine, Briggs & Stratton, model number 126T024837 | 1   |
| 80   | 531 20 58-40 | handle   | 2   |
| 81   | 531 20 49-22 | washer   | 2   |
| 82   | 531 21 14-74 | locking disc, outer                                | 2   |
| 83   | 531 21 14-76 | spring   | 2   |
| 84   | 531 21 14-73 | locking disc, inner                                | 2   |
| 85   | 531 21 15-81 | plate  | 2   |
| 86   | 531 21 14-80 | screw M8x55  | 2   |
| 88   | 531 20 84-91 | nut M6 self  | 2   |
| 89   | 531 20 49-61 | washer   | 4   |
| 90   | 531 20 71-65 | nut M6   | 2   |
| 91   | 531 20 51-69 | starter cable guide                                | 2   |
| 92   | 531 21 26-75 | clutch lever                                       | 1   |
| 93   | 531 21 07-25 | handle sheat                                       | 1   |
| 94   | 531 21 20-63 | brake lever  | 1   |
| 95   | 531 21 20-60 | handle   | 1   |
| 96   | 531 20 52-15 | spring, clutch                                     | 1   |
| 97   | 544 90 80-02 | clutch cable                                       | 1   |
| 98   | 531 20 55-81 | binder   | 2   |
| 100  | 531 21 35-17 | screw M6x80  | 1   |
| 101  | 504 86 82-01 | accelerator lever and cable                        | 1   |
| 102  | 531 21 35-22 | brake cable  | 1   |
| 103  | 531 20 80-43 | cable support                                      | 1   |
| 104  | 531 20 84-91 | nut M6   | 1   |