

CS2245

CS2245 S

CS2250 S

Spare parts

Ersatzteile

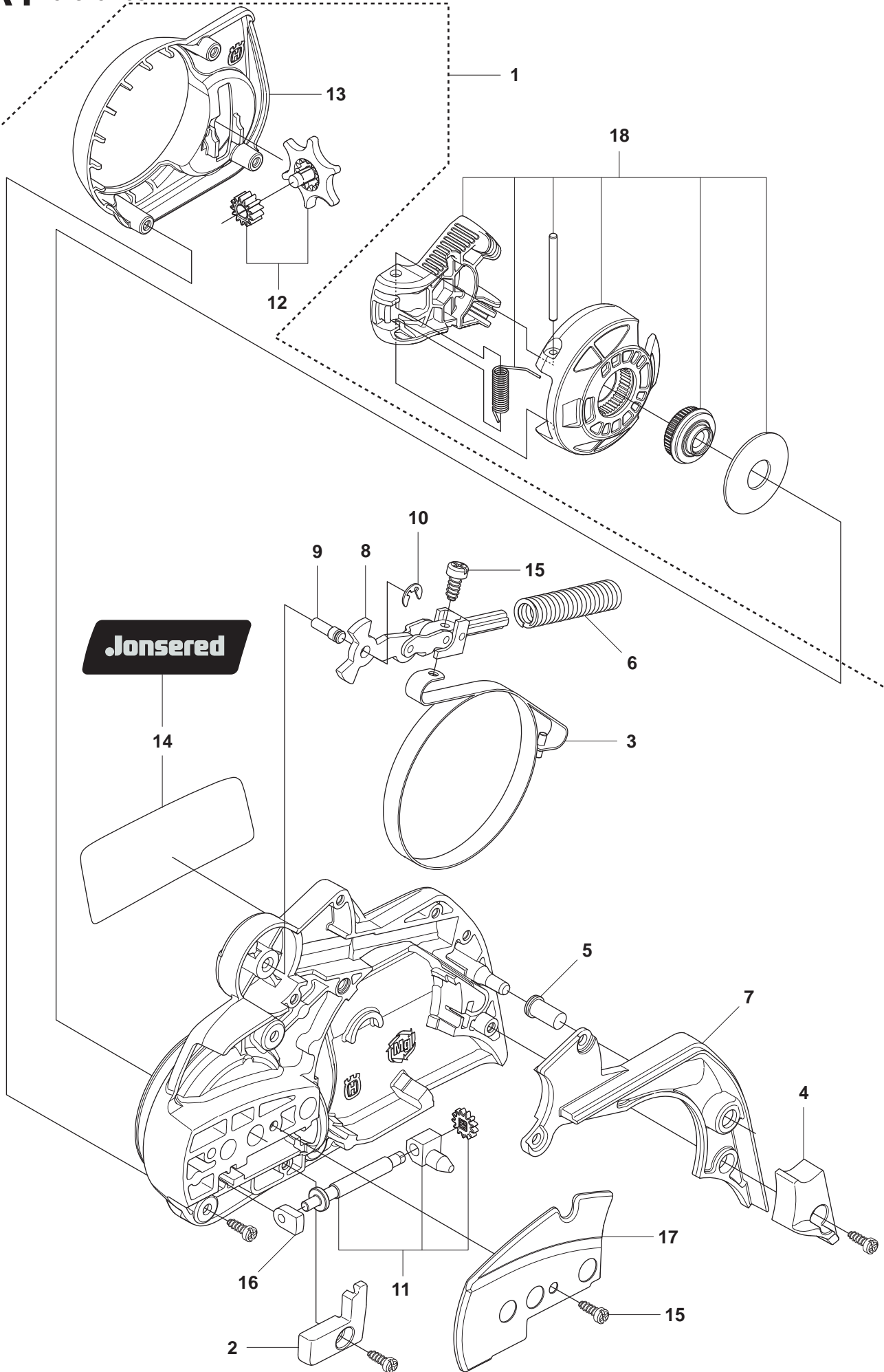
Pièces détachées

Reserve onderdelen

Repuestos

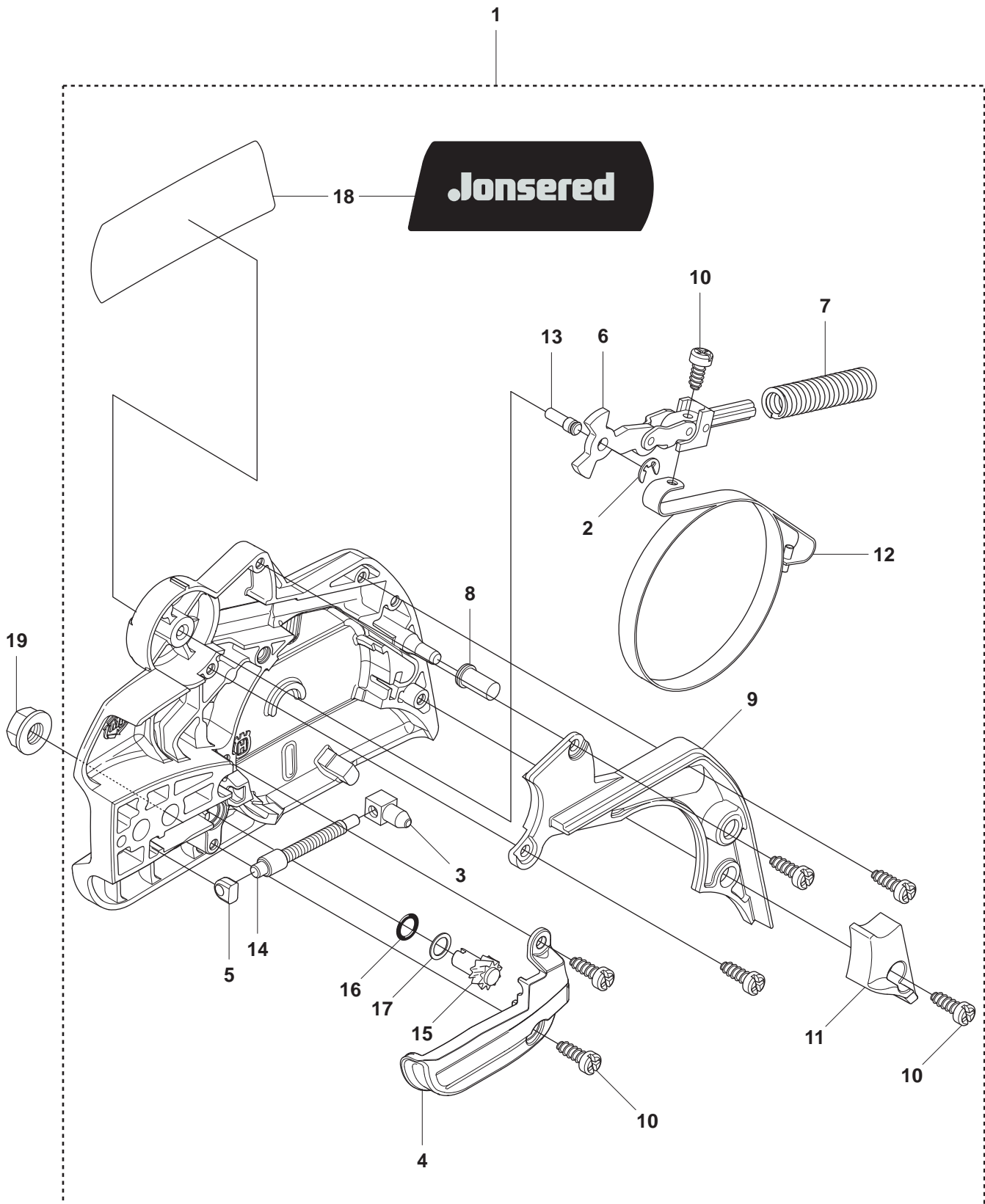
Reservdelar

A1 CS2245 S, CS2250 S
CLUTCH COVER

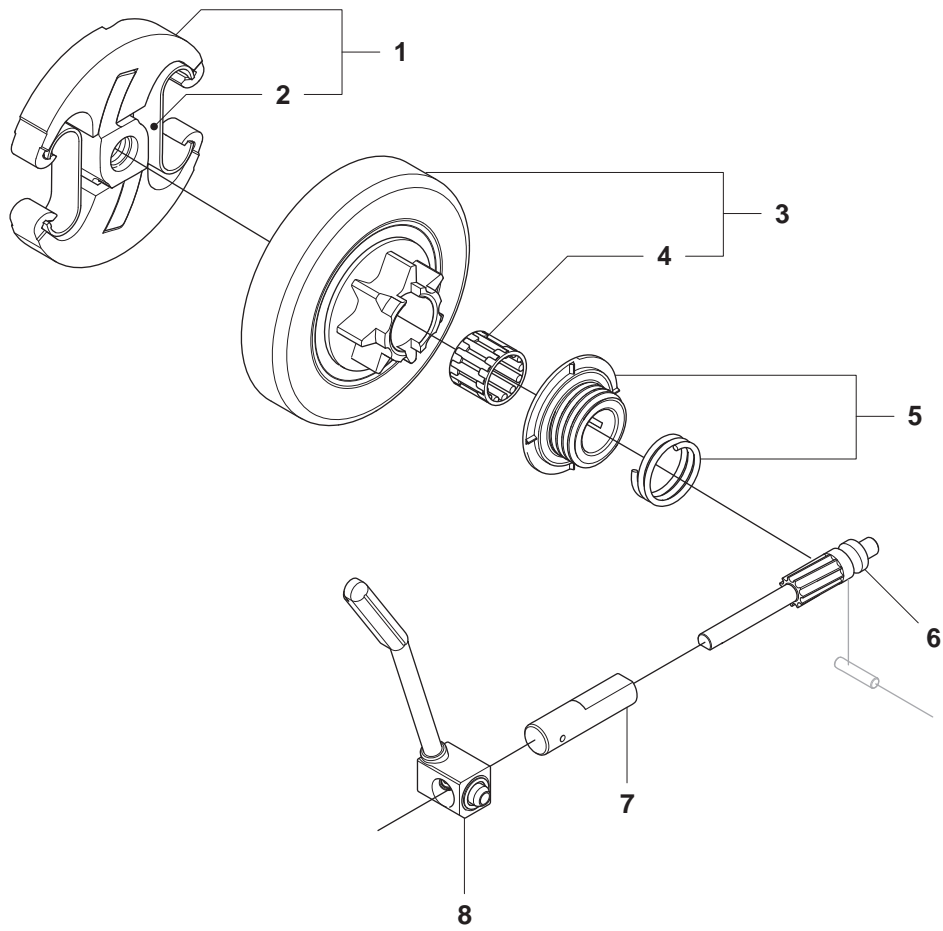


Position	Article	Quantity	Notes	Kit
1	544 21 72-02	1		
2	537 34 76-01	1		1
3	537 04 30-01	1		1
4	544 08 30-01	1		1
5	503 85 52-01	1		1
6	503 46 59-01	1		1
7	544 08 29-01	1		1
8	503 89 08-02	1		1
9	503 89 29-01	1		1
10	735 31 08-20	1		1
11	537 39 29-01	1		1
12	537 34 72-02	1		1
13	537 39 26-02	1		1
14	544 35 75-02	1		1
15	503 21 70-10	10		1
16	544 84 55-01	1		1
17	544 25 05-01	1		1
18	537 34 78-02	1		

A2 CS2245
CLUTCH COVER

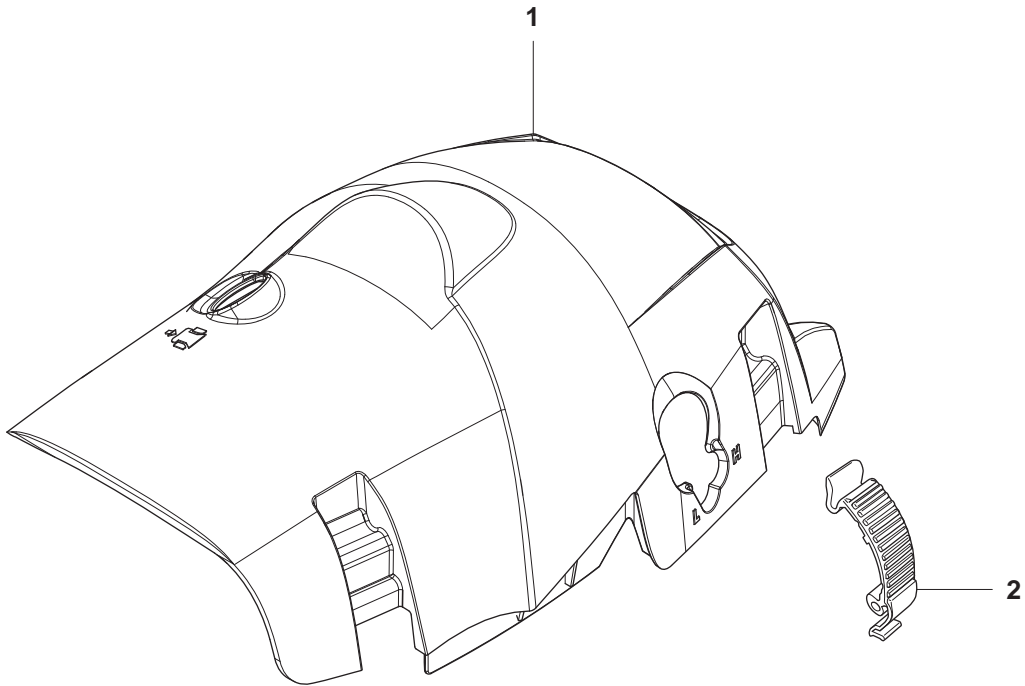


Position	Article	Quantity	Notes	Kit
1	544 09 79-03	1		
2	544 37 68-02	1		1
3	537 28 66-01	1		1
4	540 06 33-01	1		1
5	537 01 74-01	1		1
6	503 89 08-02	1		1
7	503 46 59-01	1		1
8	503 85 52-01	1		1
9	544 08 29-01	1		1
10	503 21 70-10	7		1
11	544 08 30-01	1		1
12	537 04 30-01	1		1
13	503 89 29-01	1		1
14	537 39 70-01	1		1
15	537 07 94-02	1		1
16	740 48 07-02	1		1
17	503 23 00-63	1		1
18	544 37 68-02	1		1
19	503 22 00-01	1		

B**CS2245, CS2245 S, CS2250 S
CLUTCH & OIL PUMP**

Position	Article	Quantity	Notes	Kit
1	537 11 05-03	1		
2	537 35 91-01	2		1
3	503 87 30-72	1		
4	503 25 52-01	1		3
5	503 93 18-01	1		
6	540 05 79-01	1		
7	537 15 48-01	1		
8	544 08 42-01	1		

C CS2245, CS2245 S, CS2250 S
COVER

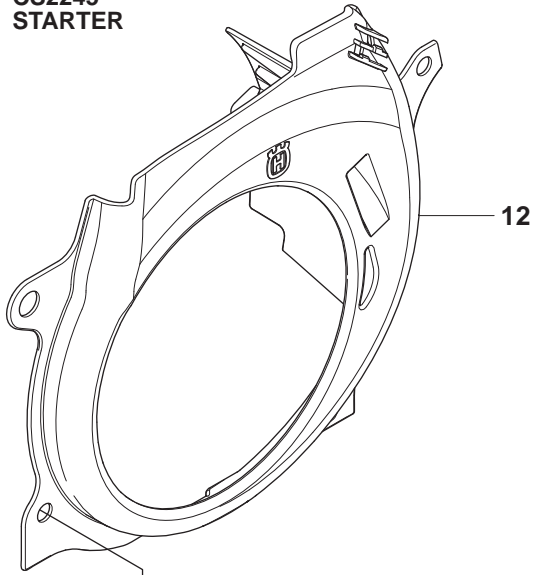


Page C CS2245,
CS2245S, CS2250S

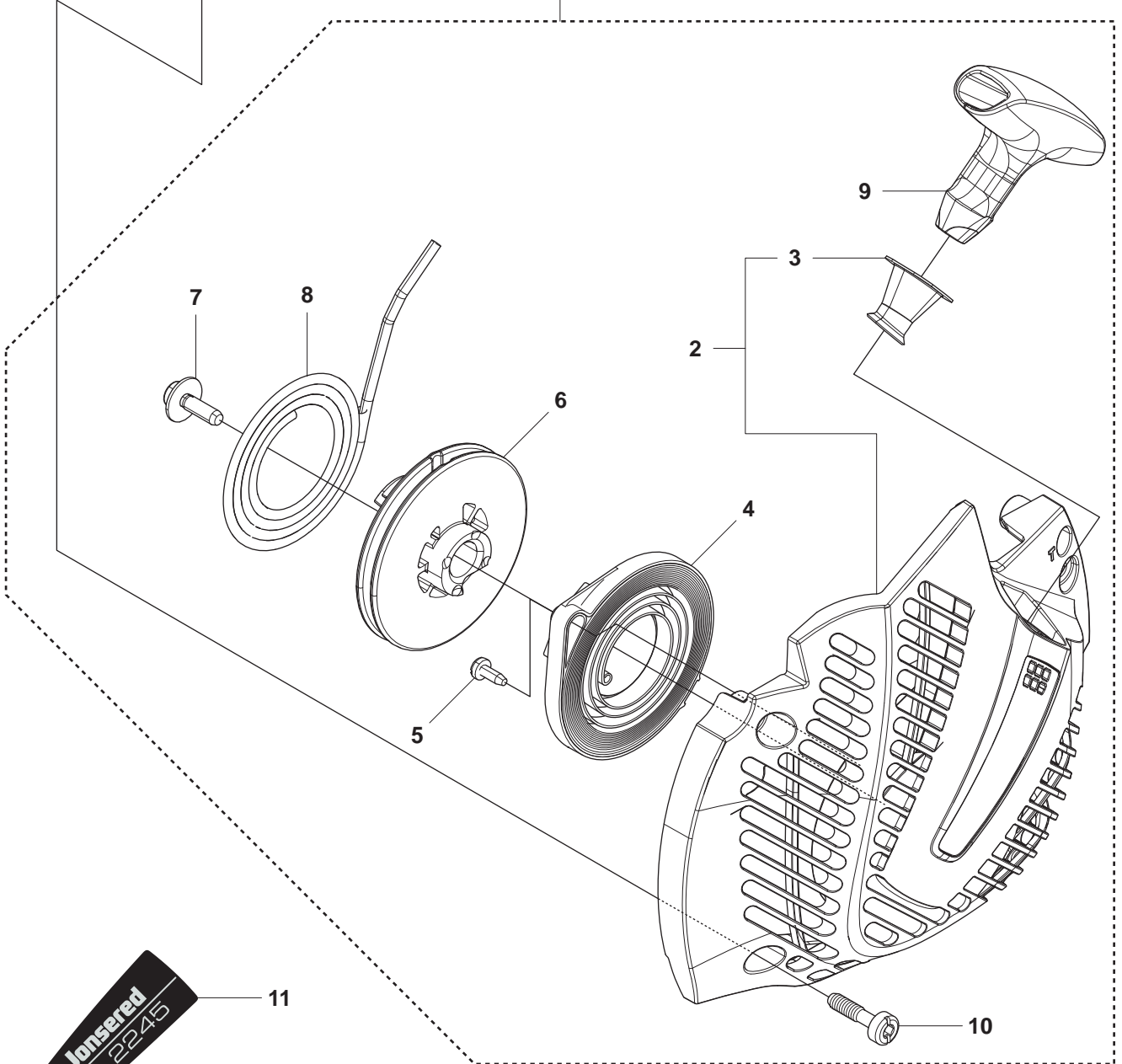
COVER

Position	Article	Quantity	Notes	Kit
1	502 30 03-01	1		
2	503 89 47-02	3		

D1 CS2245
STARTER



1

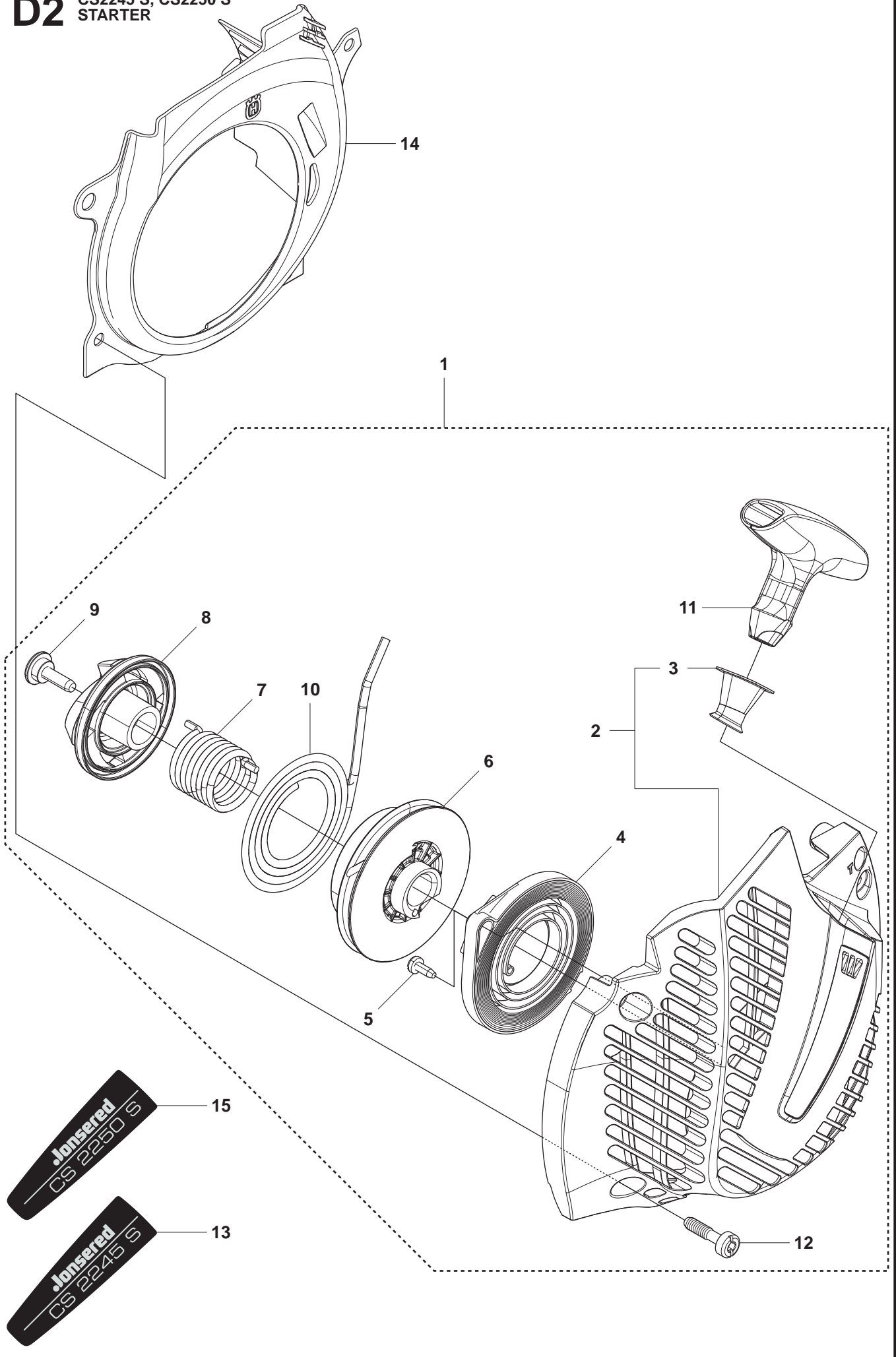


11

Position	Article	Quantity	Notes	Kit
1	502 30 06-02	1		
2	502 30 07-01	1		1
3	537 28 32-01	1		1
4	537 24 17-01	1		1
5	503 21 28-10	2		1
6	537 09 25-01	1		1
7	503 21 77-16	1		1
8	505 30 51-25	1		1
9	544 37 65-01	1		1
10	503 21 73-21	4		1
11	505 40 26-01	1		
12	544 08 15-01	1		

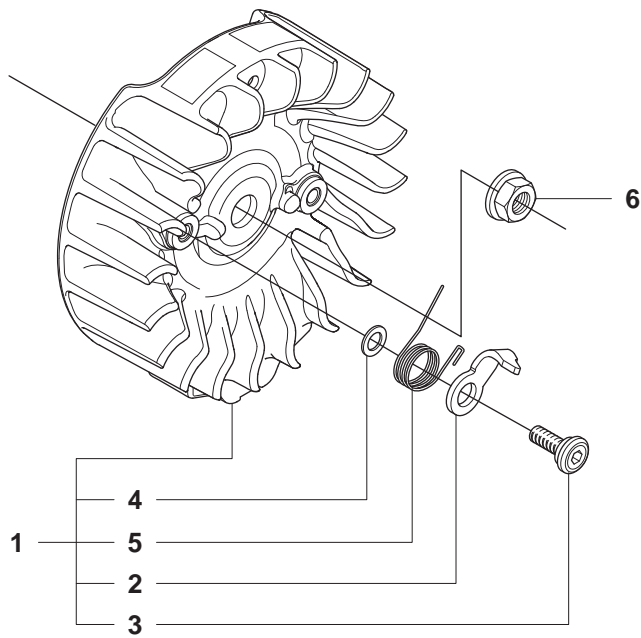
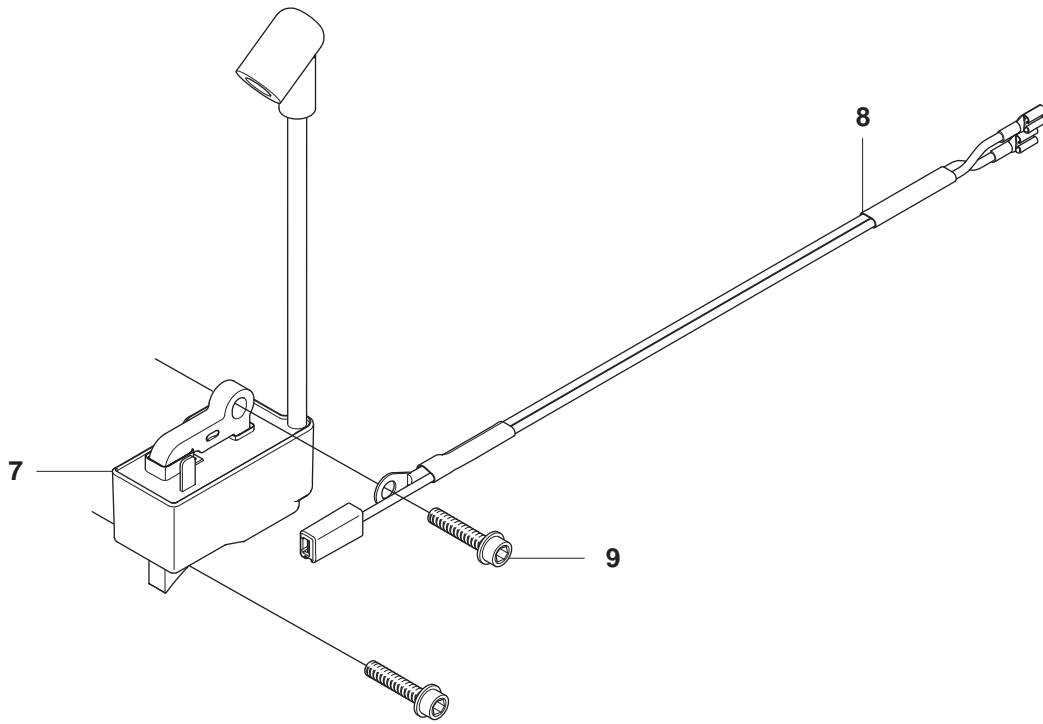
D2

CS2245 S, CS2250 S
STARTER



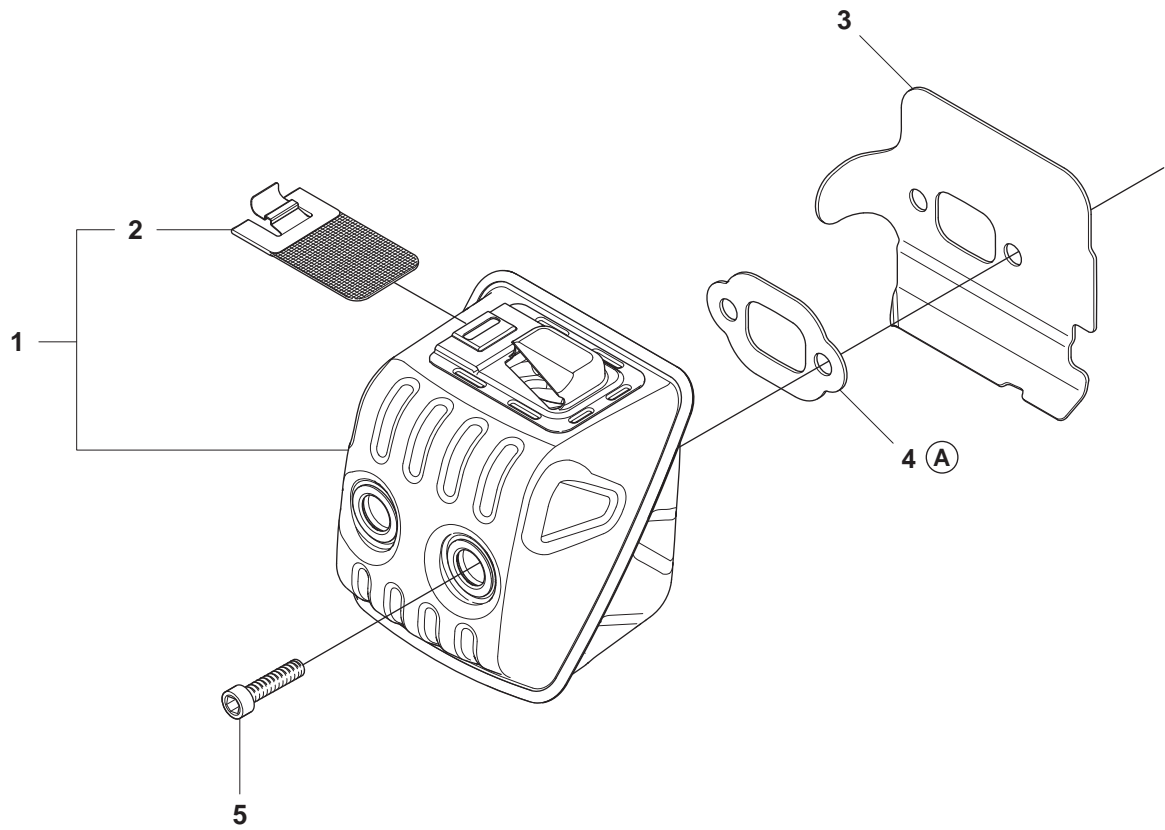
Position	Article	Quantity	Notes	Kit
1	502 30 04-02	1		
2	502 30 05-01	1		1
3	537 28 32-01	1		1
4	537 24 17-01	1		1
5	503 21 28-10	2		1
6	537 42 32-01	1		1
7	537 42 34-01	1		1
8	537 42 33-01	1		1
9	537 42 66-01	1		1
10	505 30 51-25	1		1
11	544 37 65-01	1		1
12	503 21 73-21	4		1
13	505 40 28-01	1		
14	544 08 15-01	1		
15	505 40 28-02	1		

E CS2245, CS2245 S, CS2250 S
ELECTRICAL



Position	Article	Quantity	Notes	Kit
1	544 11 18-01	1		
2	537 24 56-01	2		1
3	501 81 99-03	2		1
4	503 23 00-42	2		1
5	503 78 32-01	2		1
6	503 22 04-01	1		
7	544 24 38-01	1		
8	544 08 28-01	1		
9	503 20 02-20	2		

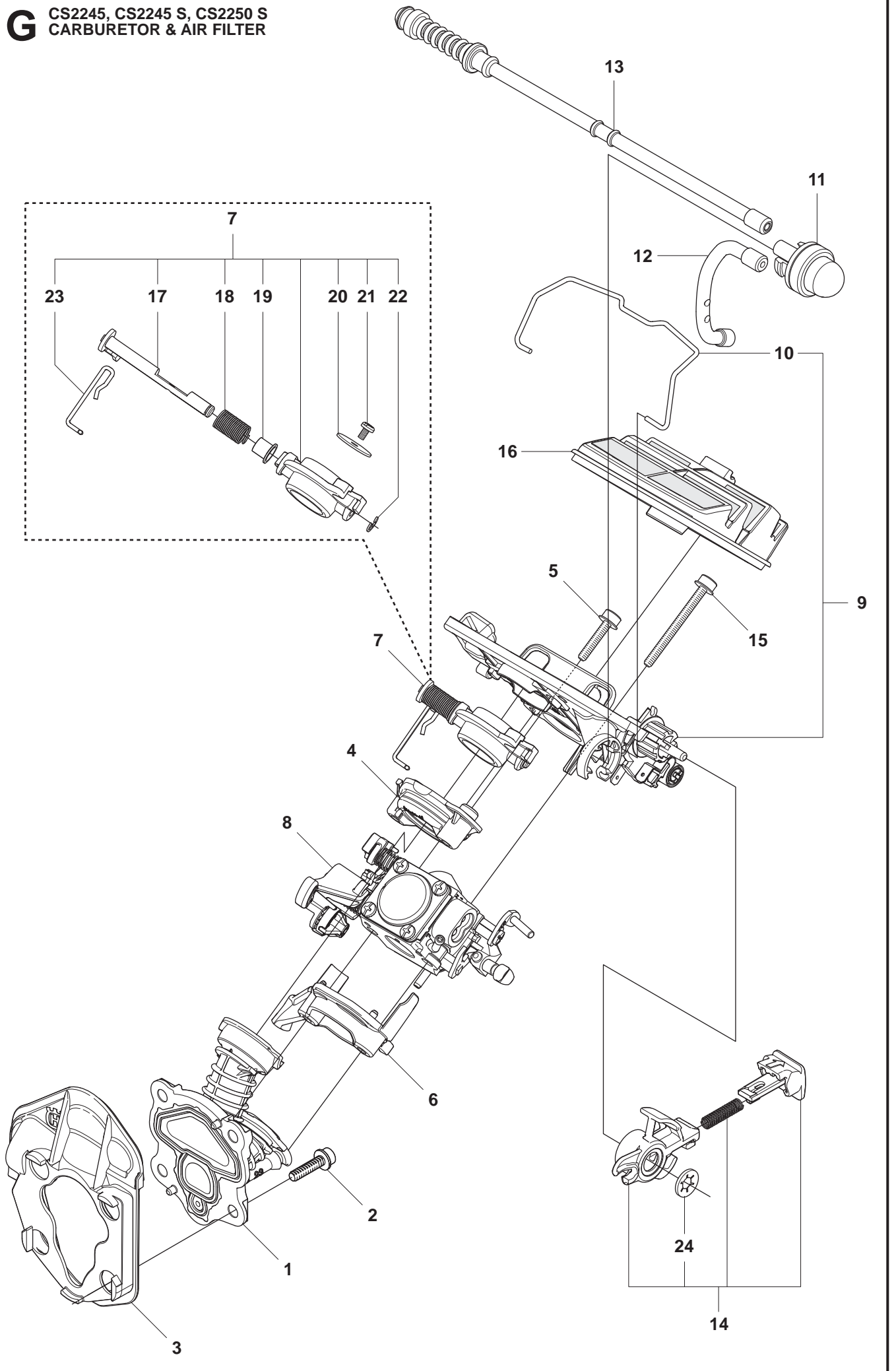
F CS2245, CS2245 S, CS2250 S
MUFFLER



Position	Article	Quantity	Notes	Kit
1	544 14 77-01	1		
2	544 14 84-01	1		1
3	544 08 31-03	1		
4	544 08 44-01	1		
5	725 53 68-55	2		



CS2245, CS2245 S, CS2250 S
CARBURETOR & AIR FILTER

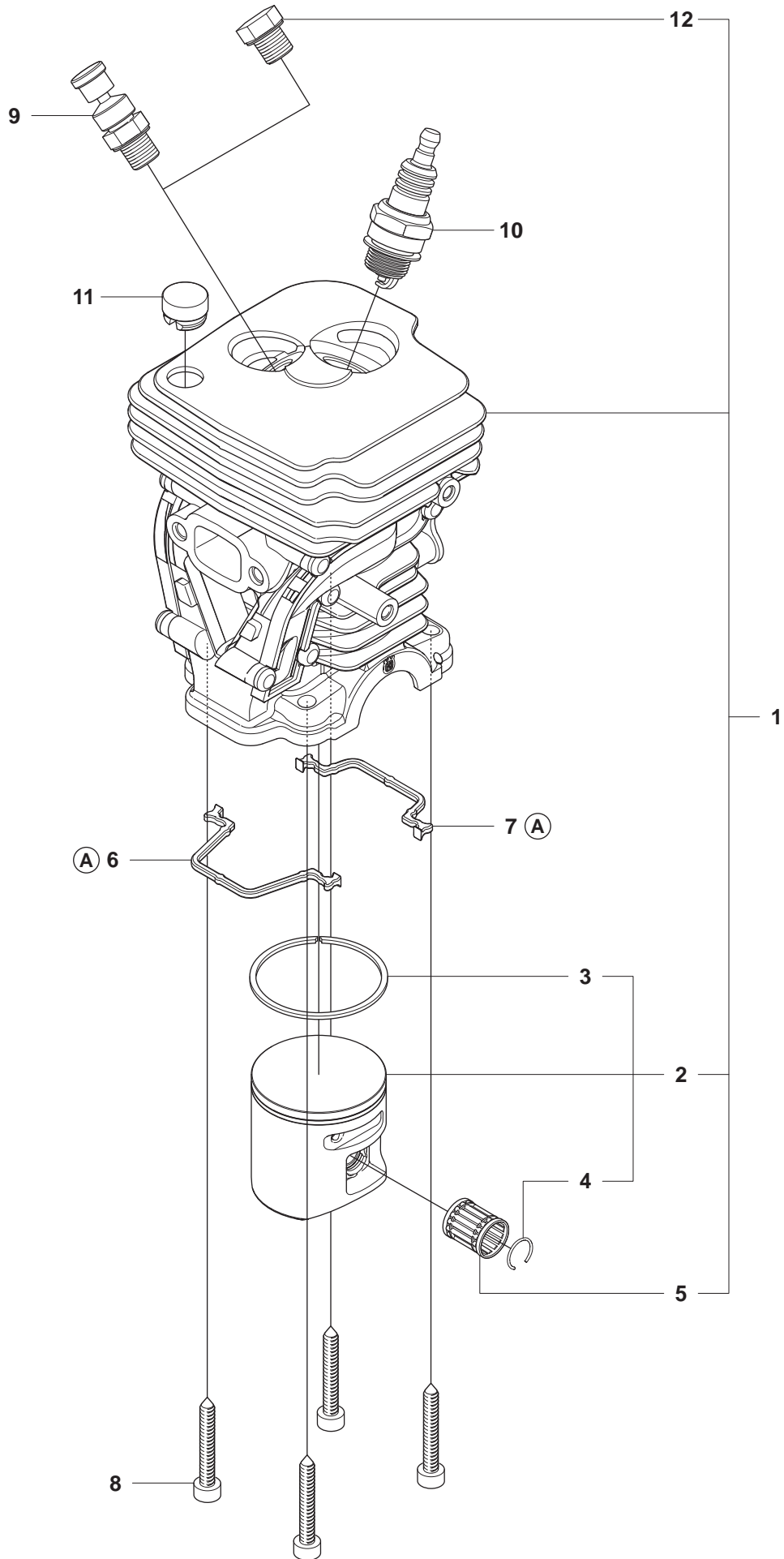


Page G CS2245, CS2245S, CS2250S CARBURETOR & AIR FILTER

Position	Article	Quantity	Notes	Kit
1	544 08 23-01	1		
2	503 20 02-16	4		
3	544 08 38-01	1		
4	544 08 40-01	1		
5	503 21 07-25	2		
6	544 08 41-01	1		
7	544 14 82-01	1		
8	506 45 04-01	1		
9	544 08 05-01	1		
10	544 23 14-01	1		9
11	503 93 66-01	1		
12	544 40 19-01	1		
13	544 12 97-01	1		
14	544 35 99-02	1		
15	503 21 07-50	2		
16	544 08 08-01	1	LS PA 80	
16	544 08 08-02	1	LS PA 44	
16	544 08 08-03	1	Felt	
17	502 08 10-01	1		7
18	502 08 11-01	1		7
19	502 08 08-01	1		7
20	502 08 12-01	1		7
21	503 48 18-01	1		7
22	537 38 52-01	1		7
23	502 08 09-01	1		7
24	735 58 30-00	1		

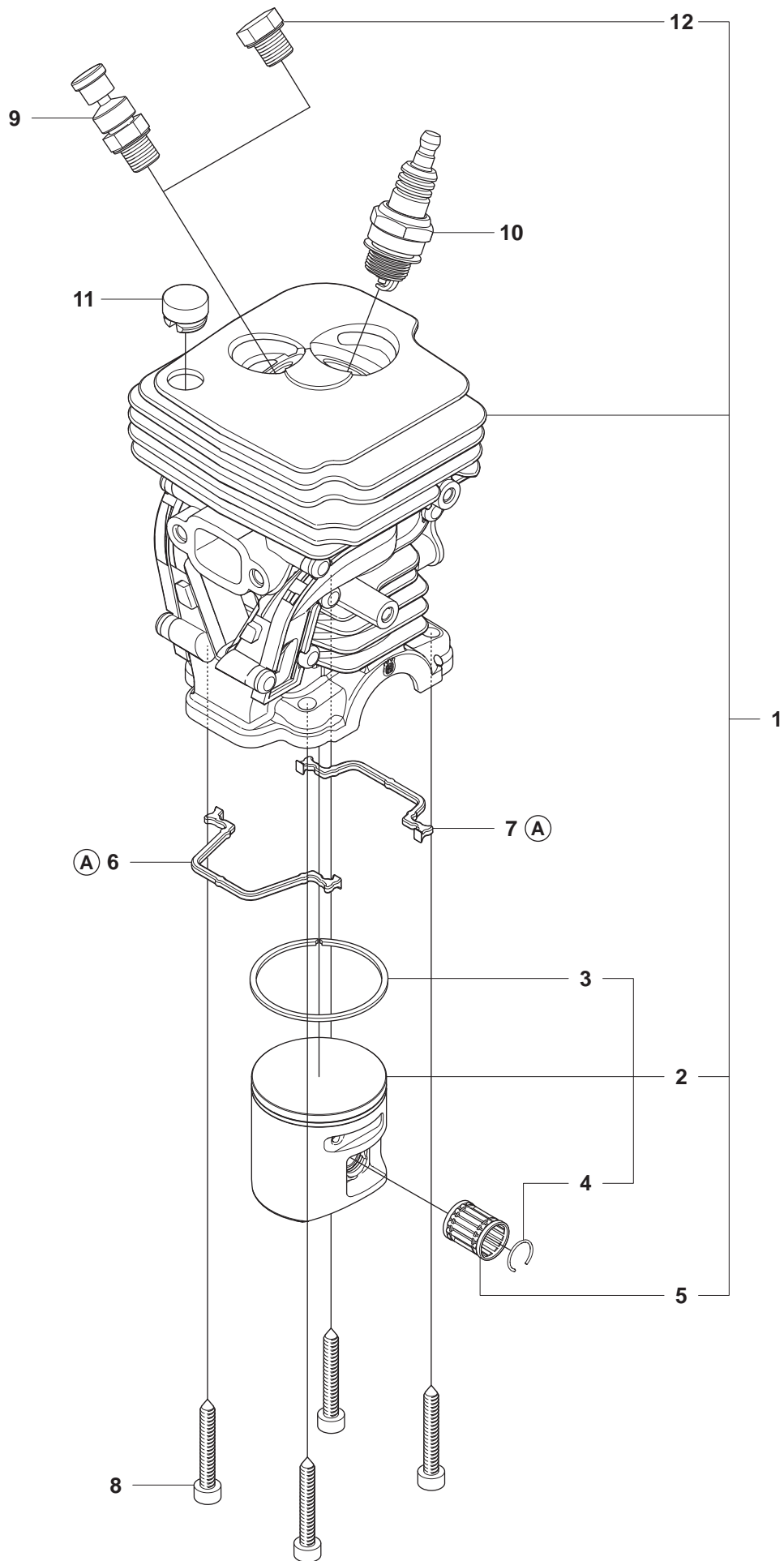
H1

CS2245, CS2245 S
CYLINDER PISTON



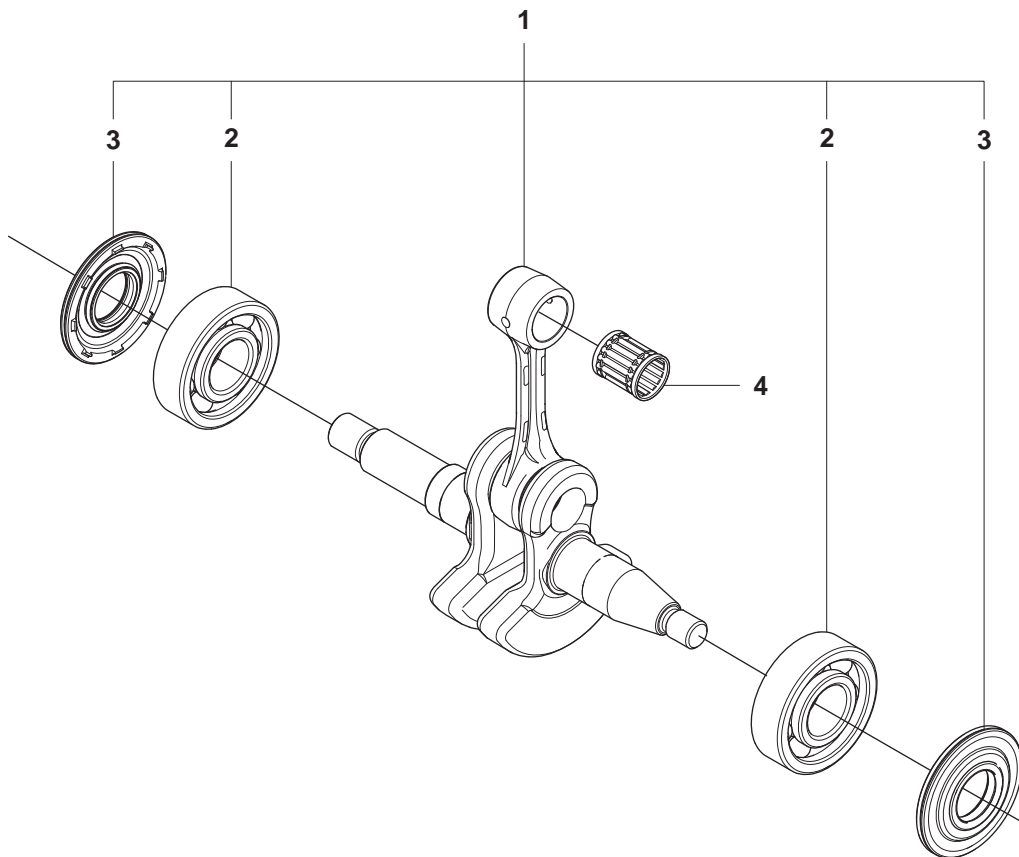
Position	Article	Quantity	Notes	Kit
1	544 11 99-02	1		
2	544 08 84-03	1		1
3	537 40 11-01	1		2
4	544 21 13-01	1		1
5	501 45 16-01	1		1
6	544 10 87-01	1		
7	544 10 92-01	1		
8	503 20 05-27	4		
9	544 87 07-01	1		
10	503 23 51-11	1		
11	540 05 73-01	1		
12	503 55 22-01	1		

H2 CS2250 S CYLINDER PISTON



Position	Article	Quantity	Notes	Kit
1	544 11 98-02	1		
2	544 08 89-03	1		1
3	544 08 87-01	1		2
4	544 21 13-01	1		1
5	501 45 16-01	1		1
6	544 10 87-01	1		
7	544 10 92-01	1		
8	503 20 05-27	4		
9	544 87 07-01	1		
10	503 23 51-11	1		
11	540 05 73-01	1		
12	503 55 22-01	1		

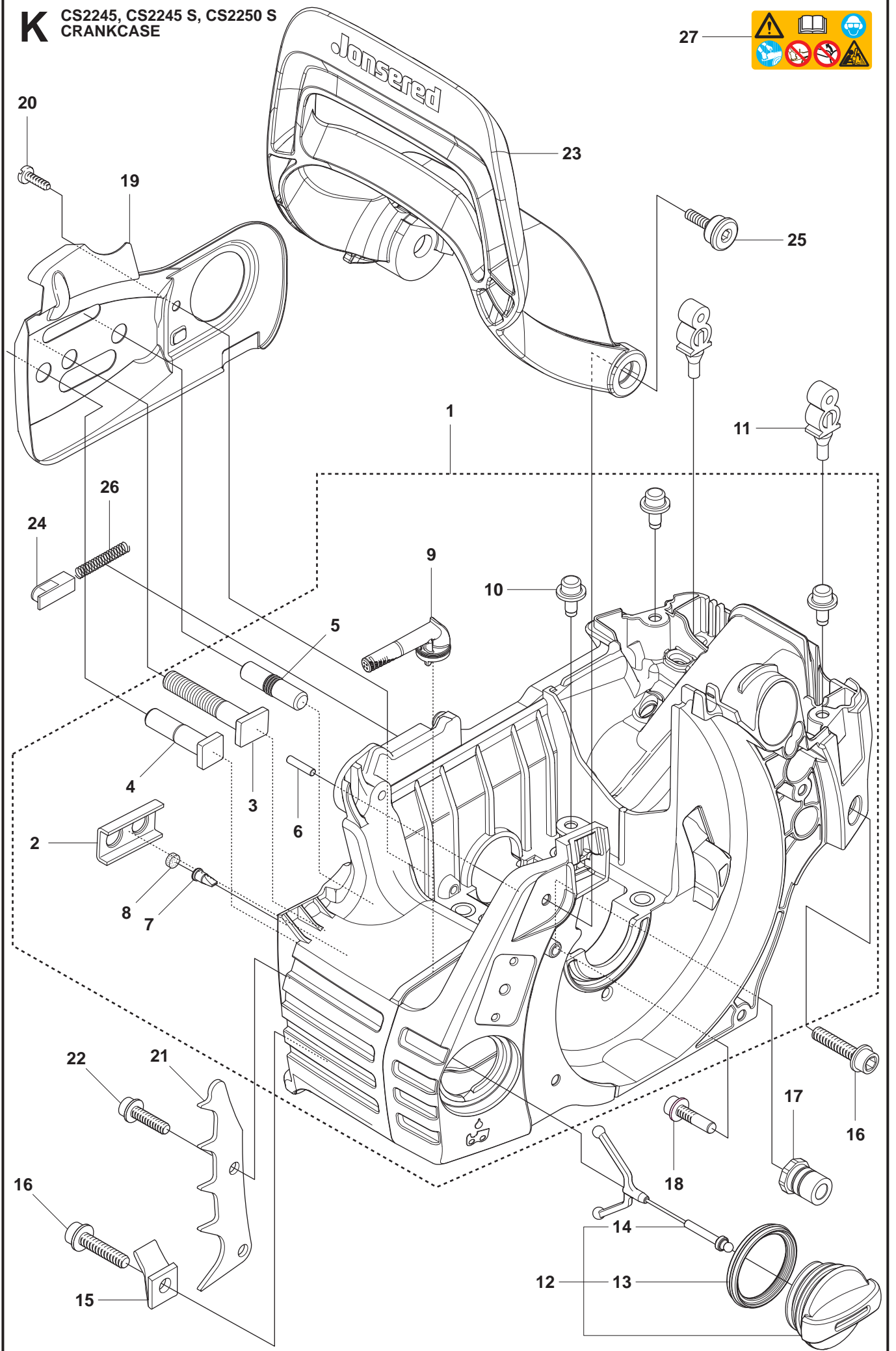
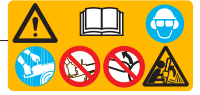
J CS2245, CS2245 S, CS2250 S
CRANKSHAFT



Position	Article	Quantity	Notes	Kit
1	544 06 19-01	1		
2	544 06 20-01	2		1
3	544 01 38-01	2		1
4	501 45 16-01	1		

K**CS2245, CS2245 S, CS2250 S
CRANKCASE**

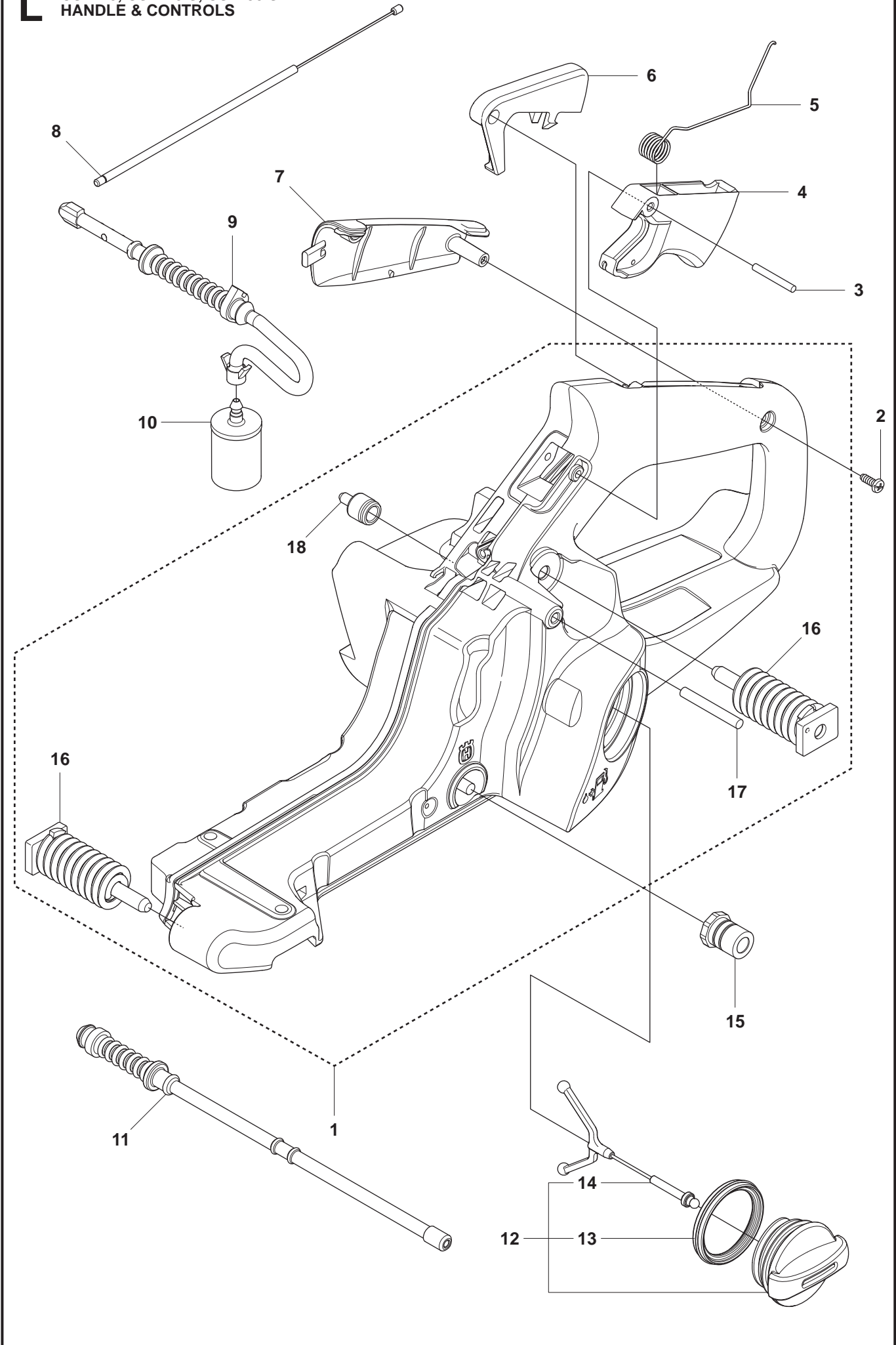
27



Position	Article	Quantity	Notes	Kit
1	537 43 82-03	1		
2	503 87 58-02	1		1
3	503 87 54-02	1		1
4	537 33 46-01	1		1
5	544 03 64-01	1		1
6	503 24 09-05	1		1
7	530 02 61-19	1		1
8	537 40 35-01	1		1
9	544 08 33-01	1		1
10	544 33 16-01	3		1
11	503 86 93-01	2		
12	544 11 12-02	1		
13	537 21 50-01	1		12
14	503 57 89-01	1		12
15	503 88 63-01	1		
16	544 31 62-01	2		
17	501 00 76-01	2		
18	503 21 51-03	1		
19	544 09 40-01	1		
20	503 21 70-10	1		
21	503 90 59-01	1		
22	503 21 75-20	2		
23	502 30 09-01	1		
24	503 89 24-01	1		
25	503 89 30-02	2		
26	503 43 65-01	1		
27	505 55 76-01	1		

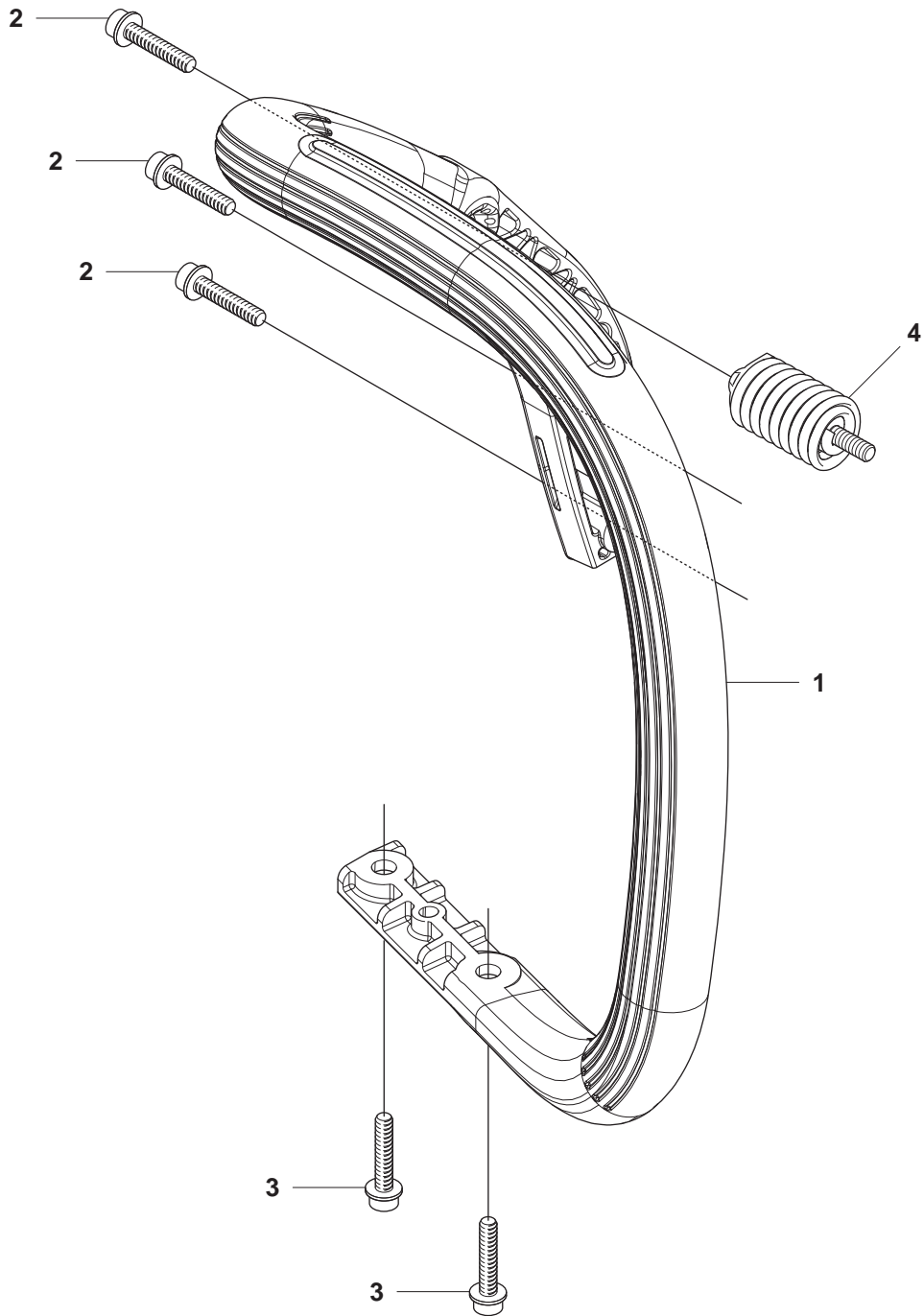


CS2245, CS2245 S, CS2250 S
HANDLE & CONTROLS



Position	Article	Quantity	Notes	Kit
1	537 43 79-03	1		
2	503 21 28-10	1		
3	720 18 25-20	1		
4	544 09 97-02	1		
5	544 09 99-01	1		
6	544 09 98-02	1		
7	504 12 22-02	1		
8	544 12 03-01	1		
9	544 12 86-01	1		
10	503 44 32-01	1		
11	544 12 97-01	1		
12	544 11 12-02	1		
13	537 21 50-01	1		12
14	503 57 89-01	1		12
15	501 00 76-01	1		
16	544 10 12-01	2		1
17	721 12 63-39	1		1
18	537 35 95-01	1		1

M CS2245, CS2245 S, CS2250 S
HANDLE



Page M CS2245,
CS2245S, CS2250S

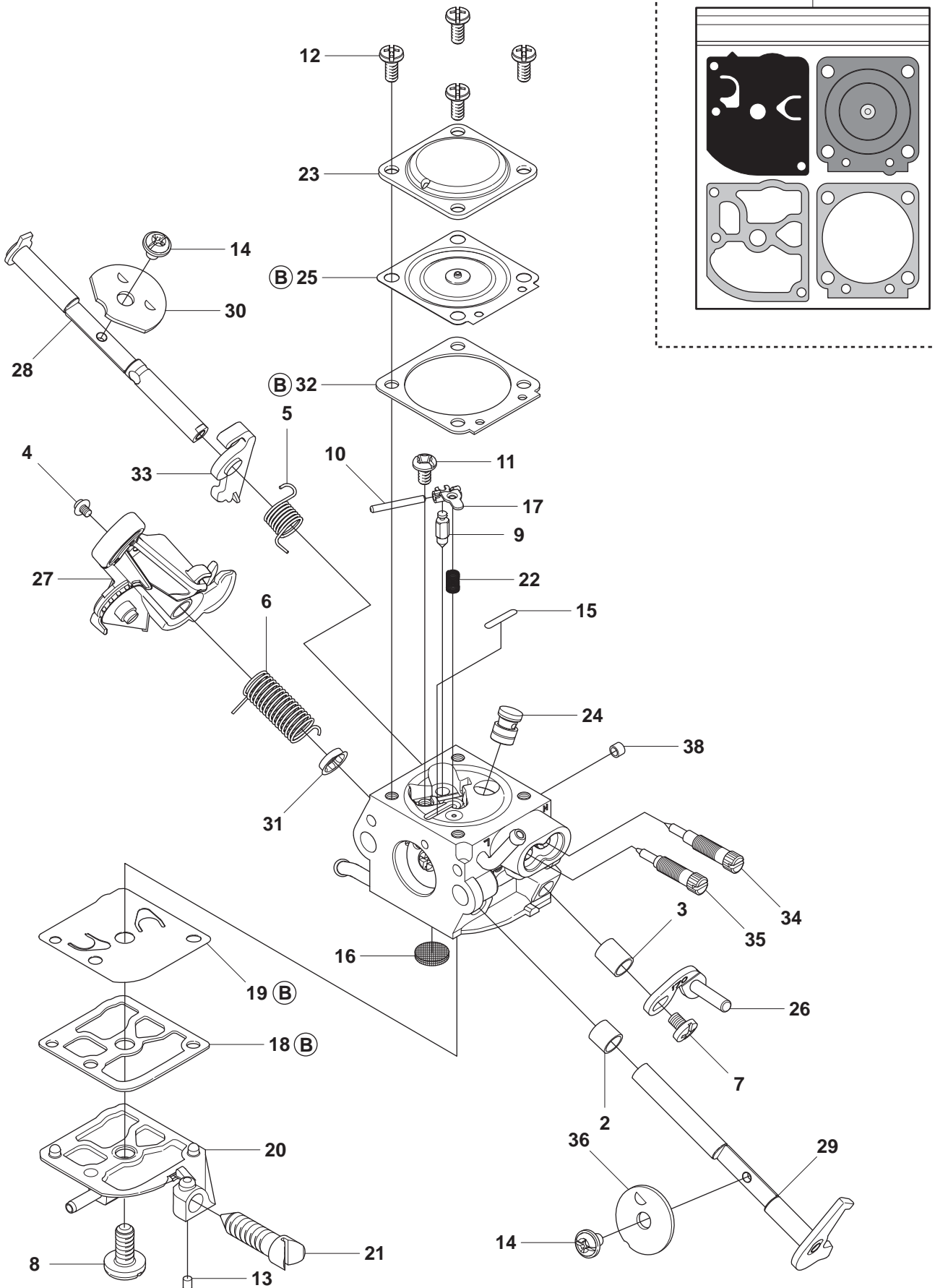
HANDLE

Position	Article	Quantity	Notes	Kit
1	502 30 08-01	1		
2	544 31 62-01	3		
3	503 21 02-70	2		
4	503 89 83-01	1		

N CS2245, CS2245 S, CS2250 S
CARBURETOR DETAILS

1

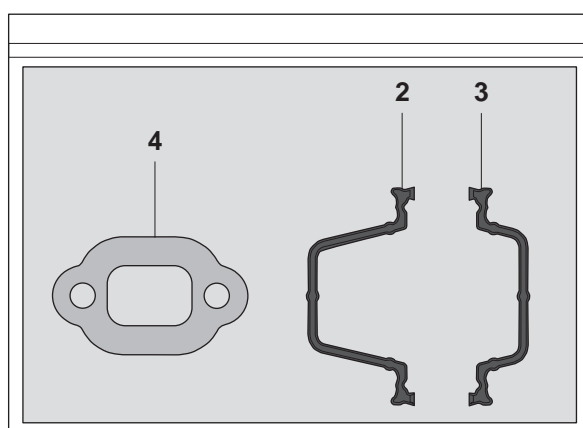
37 **(B)** GND-81



CARBURETOR DETAILS

Position	Article	Quantity	Notes	Kit
1	506 45 04-01	1		
2	502 07 82-01	1		1
3	502 07 83-01	1		1
4	502 07 84-01	1		1
5	502 07 86-01	1		1
6	502 07 87-01	1		1
7	503 47 90-01	1		1
8	503 47 96-01	1		1
9	503 47 97-01	1		1
10	503 48 00-01	1		1
11	503 48 01-01	1		1
12	503 48 05-01	4		1
13	503 48 11-01	1		1
14	503 48 18-01	2		1
15	503 53 56-01	2		1
16	503 53 57-01	1		1
17	503 66 59-01	1		1
18	537 02 01-01	1		1, 37
19	537 38 31-01	1		1, 37
20	502 07 89-01	1		1
21	537 38 33-01	1		1
22	537 38 34-01	1		1
23	537 38 37-01	1		1
24	544 23 77-01	1		1
25	502 07 90-01	1		1, 37
26	502 07 91-01	1		1
27	505 10 17-01	1		1
28	502 07 94-01	1		1
29	502 07 95-01	1		1
30	502 24 77-01	1		1
31	502 07 98-01	1		1
32	537 38 36-01	1		1, 37
33	502 08 17-01	1		1
34	502 07 99-01	1		1
35	502 08 00-01	1		1
36	502 08 01-01	1		1
37	502 08 02-01	1	B = Set of Gaskets	
38	544 11 95-01	1		1

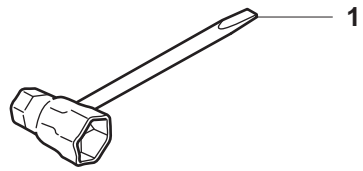
P Levereras endast som reservdel
Delivery as spare part only
Nur als Ersatzteil lieferbar
Livrabable seulement comme pièce de rechange
Solo como repuesto
Zasilà se jenom jako náhradni díl



1 (A)
Packningssats
Set of gaskets
Dichtungssatz
Jeu de joints
Juego de juntas

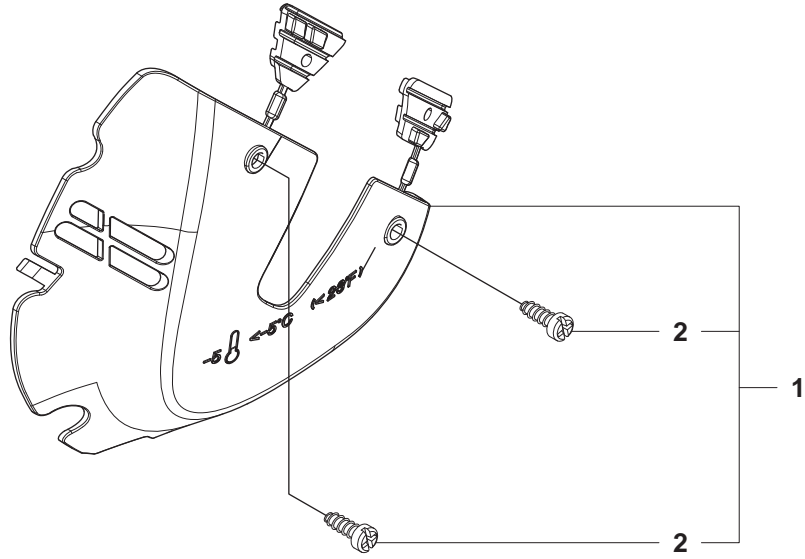
Position	Article	Quantity	Notes	Kit
1	544 97 20-01	1		
2	544 10 87-01	1		1
3	544 10 92-01	1		1
4	544 08 44-01	1		1

Q Tillbehör
Accessories
Zubehöre
Accessoires
Accesorios

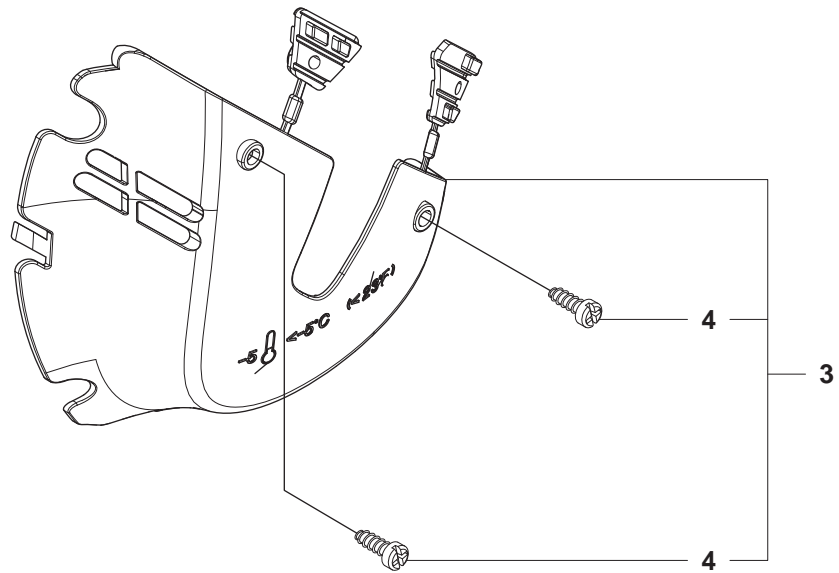


Page Q		CS2245, CS2245S, CS2250S		ACCESSORIES	
Position	Article	Quantity	Notes	Kit	
1	503 55 85-04	1			

R CS2245
WINTER KIT



R CS2245 S, CS2250 S
WINTER KIT



Position	Article	Quantity	Notes	Kit
1	504 83 57-01	1		
2	503 21 27-13	2		1
3	504 83 57-02	1		
4	503 21 27-13	2		3