



CS2188, CS2188 EPA CS2186, CS2186 EPA

Spare parts

Ersatzteile

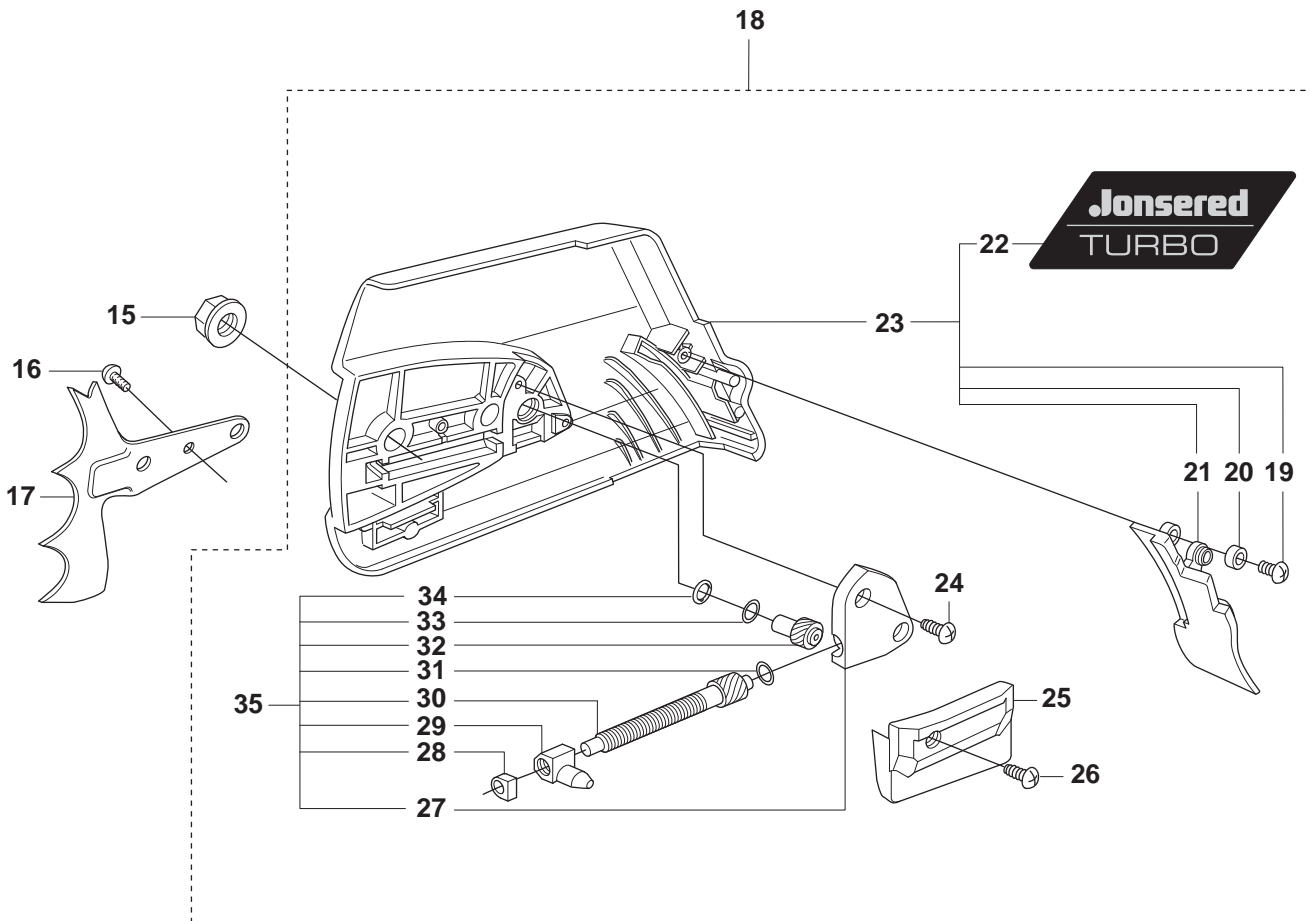
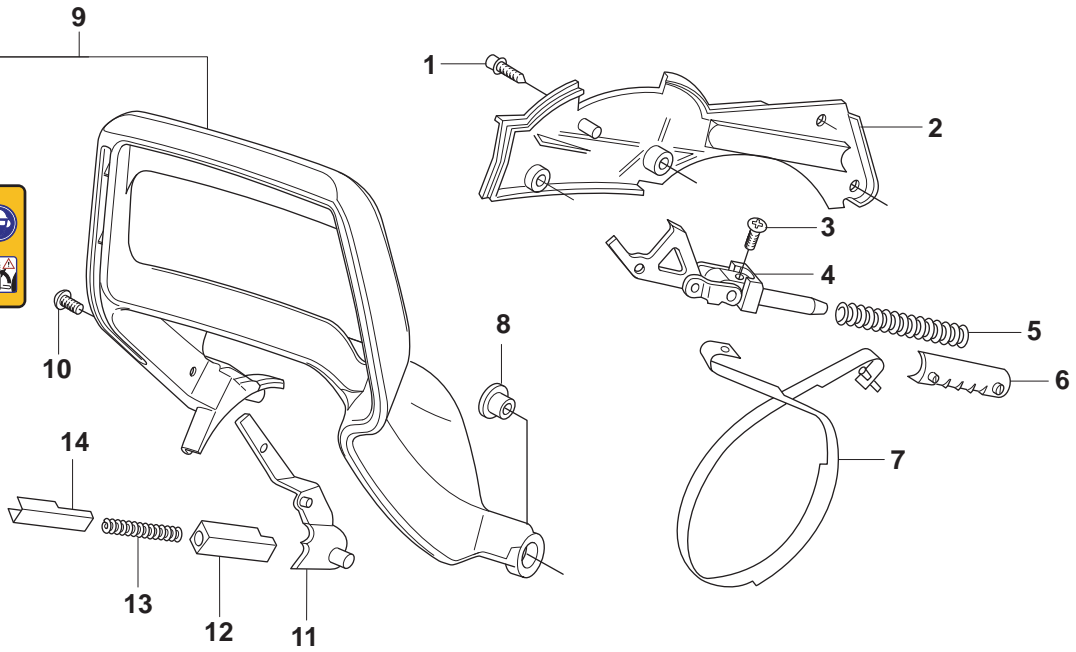
Pièces détachées

Reserve onderdelen

Repuestos

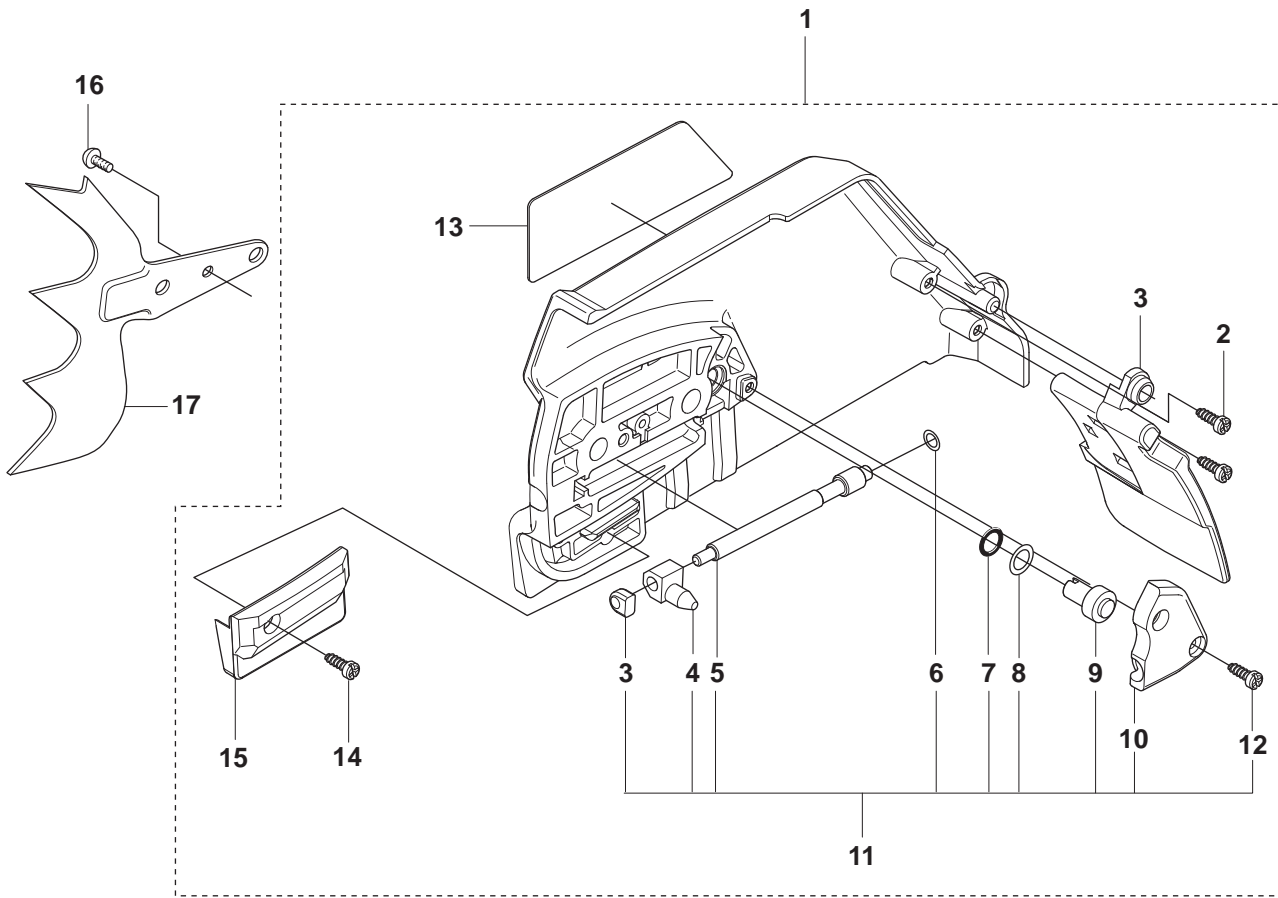
Reservdelar

A1 CS2188 BRAKE ASSY



Position	Article	Quantity	Notes	Kit
1	503 20 07-12	4		
2	503 75 11-03	1		
3	503 21 28-10	1		
4	501 87 53-03	1		
5	503 70 99-01	1		
6	503 79 27-01	1		
7	503 75 22-02	1		
8	503 77 52-01	1		
9	537 19 57-01	1		
10	503 20 25-12	1		
11	537 00 87-02	1		
12	503 83 81-02	1		
13	503 43 65-01	1		
14	537 01 67-01	1		
15	503 22 00-01	1		
16	503 21 28-10	1		
17	503 71 97-01	1		
18	537 07 20-02	1		
19	503 21 28-10	1		18, 23
20	503 89 70-01	1		18, 23
21	503 76 29-02	1		18, 23
22	537 24 43-01	1		18, 23
23	537 07 20-71	1		18
24	503 21 28-10	2		18
25	537 19 06-01	1		18
26	503 21 28-10	1		18
27	537 01 68-01	1		18, 35
28	537 01 74-01	1		18, 35
29	503 99 83-01	1		18, 35
30	537 07 95-02	1		18, 35
31	503 23 00-66	1		18, 35
32	537 07 94-01	1		18, 35
33	503 23 00-63	1		18, 35
34	740 48 07-02	1		18, 35
35	537 04 41-02	1		18
36	503 98 74-01	1		9

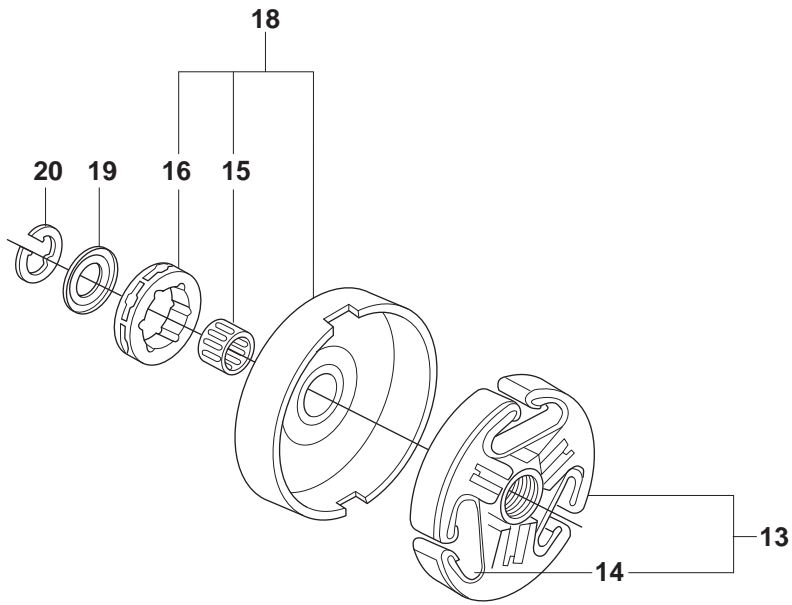
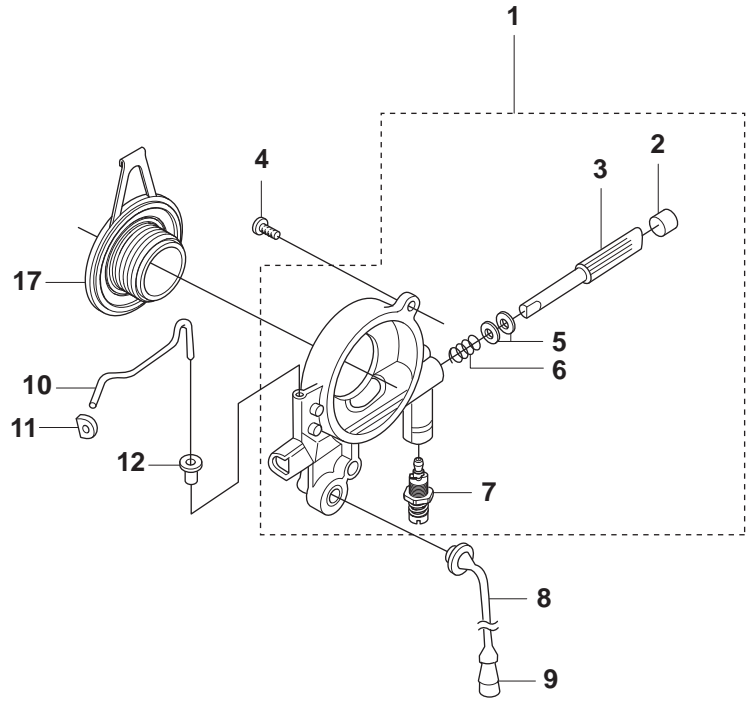
A2 CS2188
BRAKE ASSY



Position	Article	Quantity	Notes	Kit
1	537 33 10-02	1	WA	
2	503 21 28-10	2		1
3	537 17 41-01	1		1, 11
4	503 99 83-01	1		1, 11
5	537 07 95-01	1		1, 11
6	503 23 00-66	1		1, 11
7	740 48 07-02	1		1, 11
8	503 23 00-63	1		1, 11
9	537 07 94-01	1		1, 11
10	537 01 68-01	1		1, 11
11	537 04 41-02	1		1
12	503 21 28-10	2		1, 11
13	537 03 38-02	1		1
14	503 21 28-10	1		1
15	537 04 34-01	1		1
16	503 21 28-10	1		
17	503 92 27-01	1	WA	

B

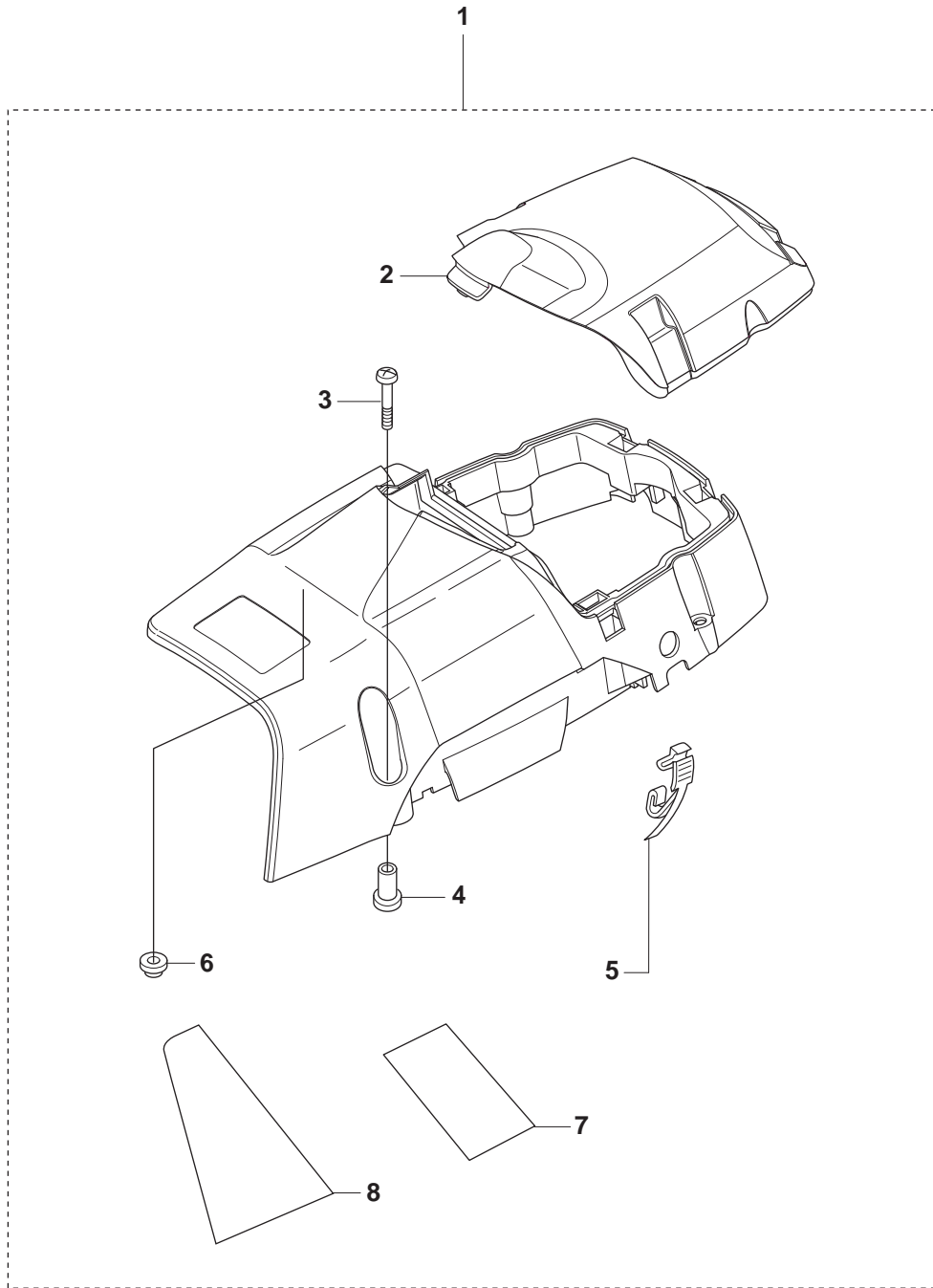
**CS2188
CLUTCH ASSY
OIL PUMP ASSY**



CLUTCH ASSY
OIL PUMP ASSY

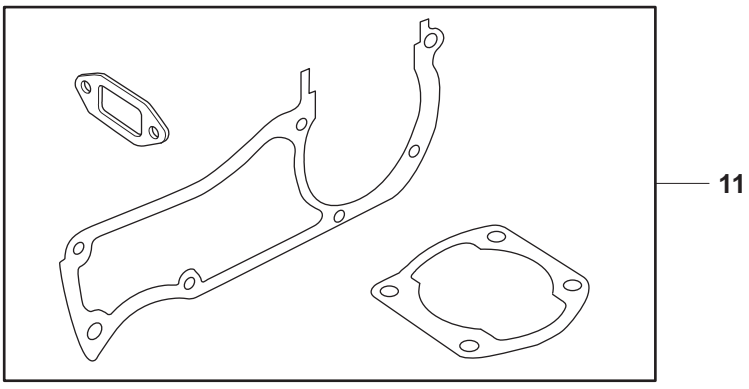
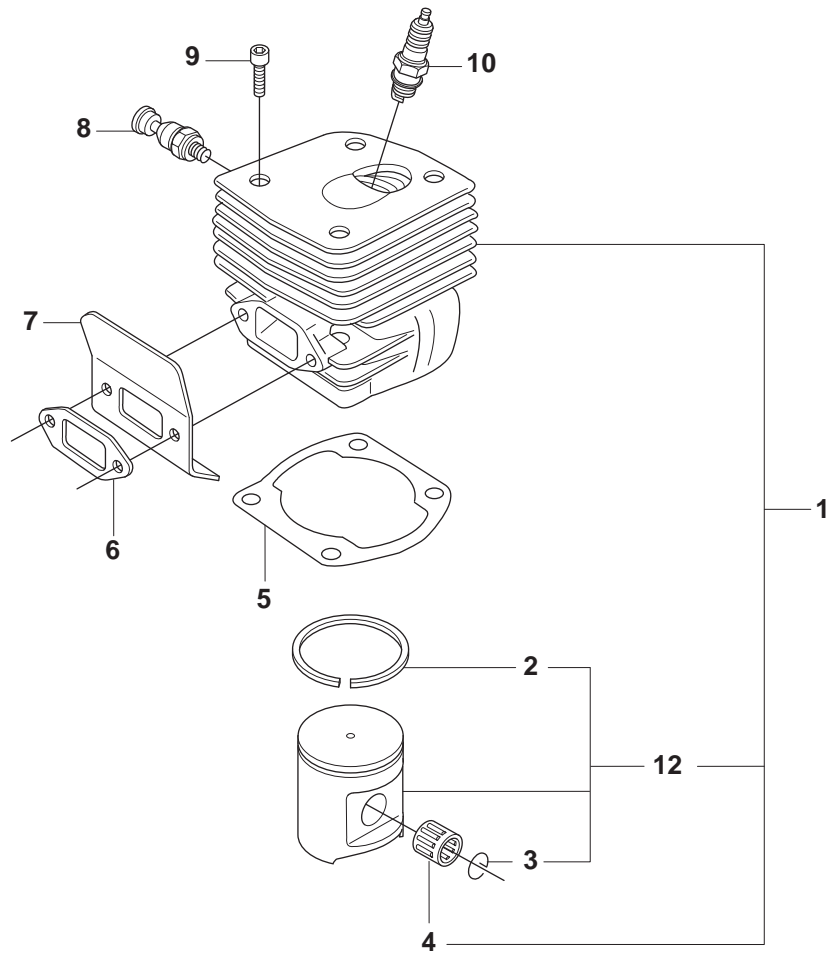
Position	Article	Quantity	Notes	Kit
1	503 52 13-05	1		
2	503 62 49-01	1		1
3	537 10 64-01	1		1
4	725 53 29-56	2		
5	503 23 00-04	2		1
6	501 61 58-01	1		1
7	537 39 60-01	1		1
8	503 42 67-01	1		
9	501 54 41-02	1		
10	503 77 43-01	1		
11	503 64 47-01	1		
12	504 30 00-26	1		
13	503 97 50-01	1		
14	503 97 51-01	3		13
15	503 43 20-01	1		18
16	501 59 80-02	1	3/8"x7T	18
16	505 30 36-61	1	3/8"x8T	18
17	537 20 78-06	1		
18	537 13 79-71	1	3/8"x7T	
18	537 13 79-72	1	3/8"x8T	
19	503 75 24-01	1		
20	503 27 21-01	1		

C CS2188
COVER



Position	Article	Quantity	Notes	Kit
1	537 16 80-01	1		
2	537 16 82-01	1		1
3	503 20 44-26	3		1
4	537 13 72-01	3		1
5	503 69 91-02	4		1
6	537 01 65-01	1		1
7	537 25 35-01	1		1
8	537 25 34-01	1		1

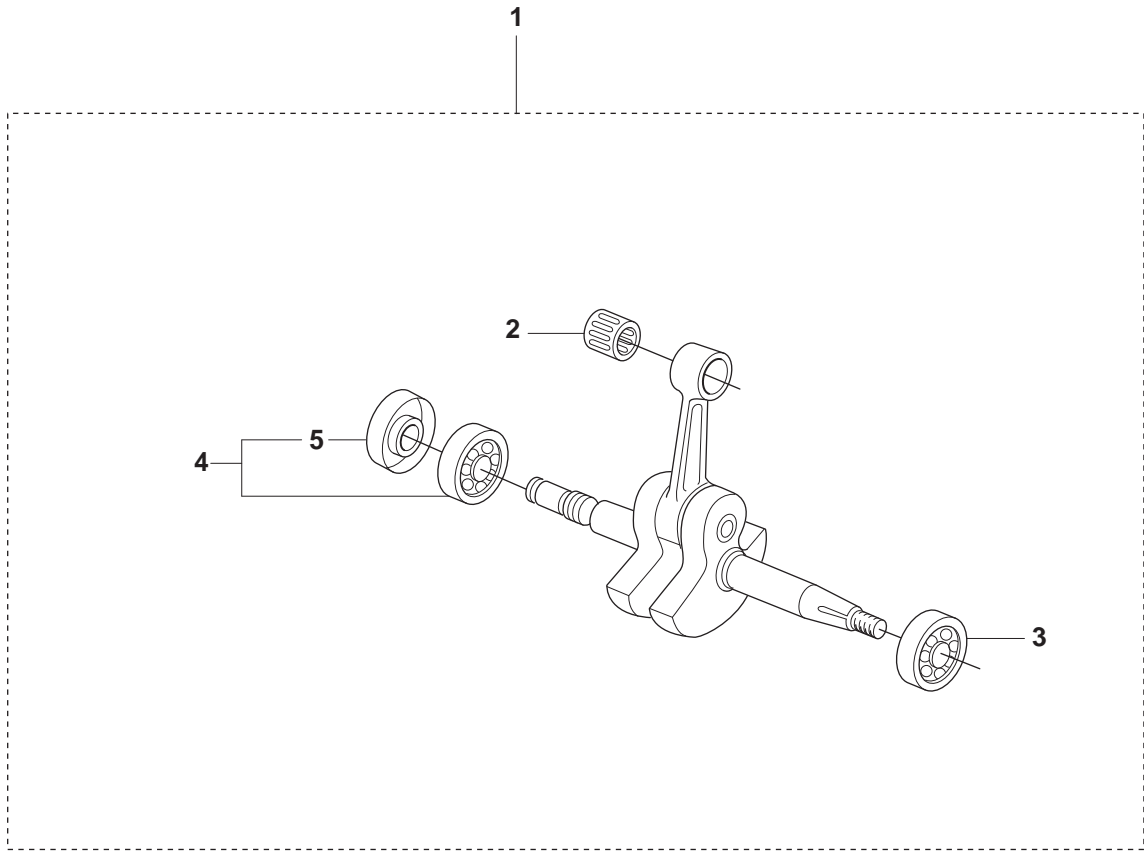
D CS2188
CYLINDER



Page D CS2188 CYLINDER

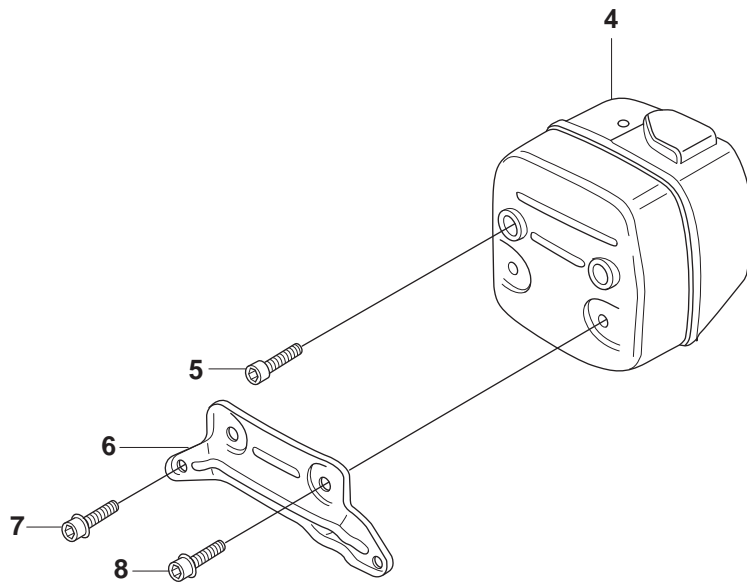
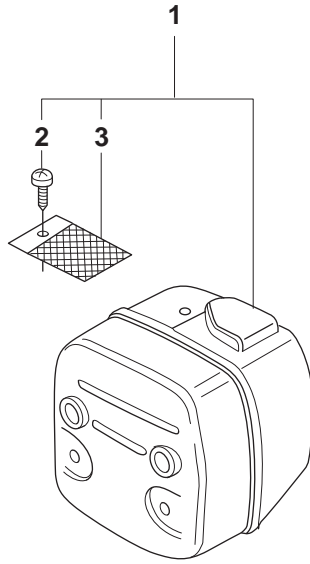
Position	Article	Quantity	Notes	Kit
1	537 16 97-71	1	CS2186	
1	544 00 65-02	1	CS2188	
2	503 28 90-53	2	CS2188	12
3	737 44 13-00	2		12
4	503 25 61-01	1		1
5	537 00 57-01	1		11
6	503 77 59-01	1		11
7	537 08 62-01	1		
8	503 71 53-01	1		
9	725 53 33-55	4		
10	503 23 51-08	1	RCJ 7 Y	
11	537 03 39-01	1	Set of gaskets	
12	537 42 02-02	1	CS2188	1
12	537 16 98-71	1	CS2186	1

E CS2188
CRANK SHAFT



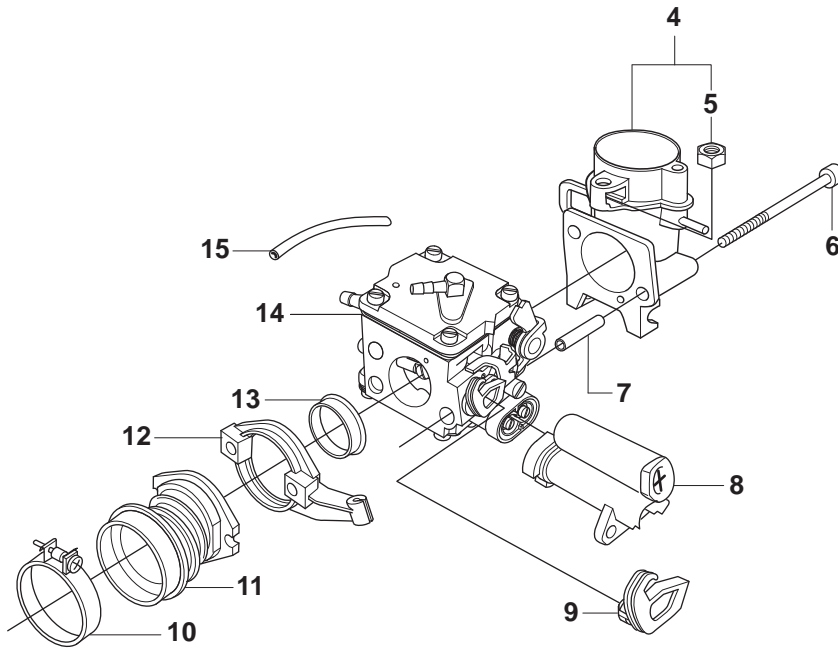
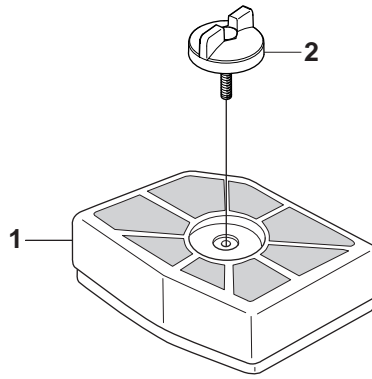
Position	Article	Quantity	Notes	Kit
1	503 99 34-04	1		
2	503 25 61-01	1		1
3	738 22 03-25	1		1
4	503 25 13-01	1		1
5	503 26 22-01	1		1, 4

F CS2188
MUFFLER ASSY



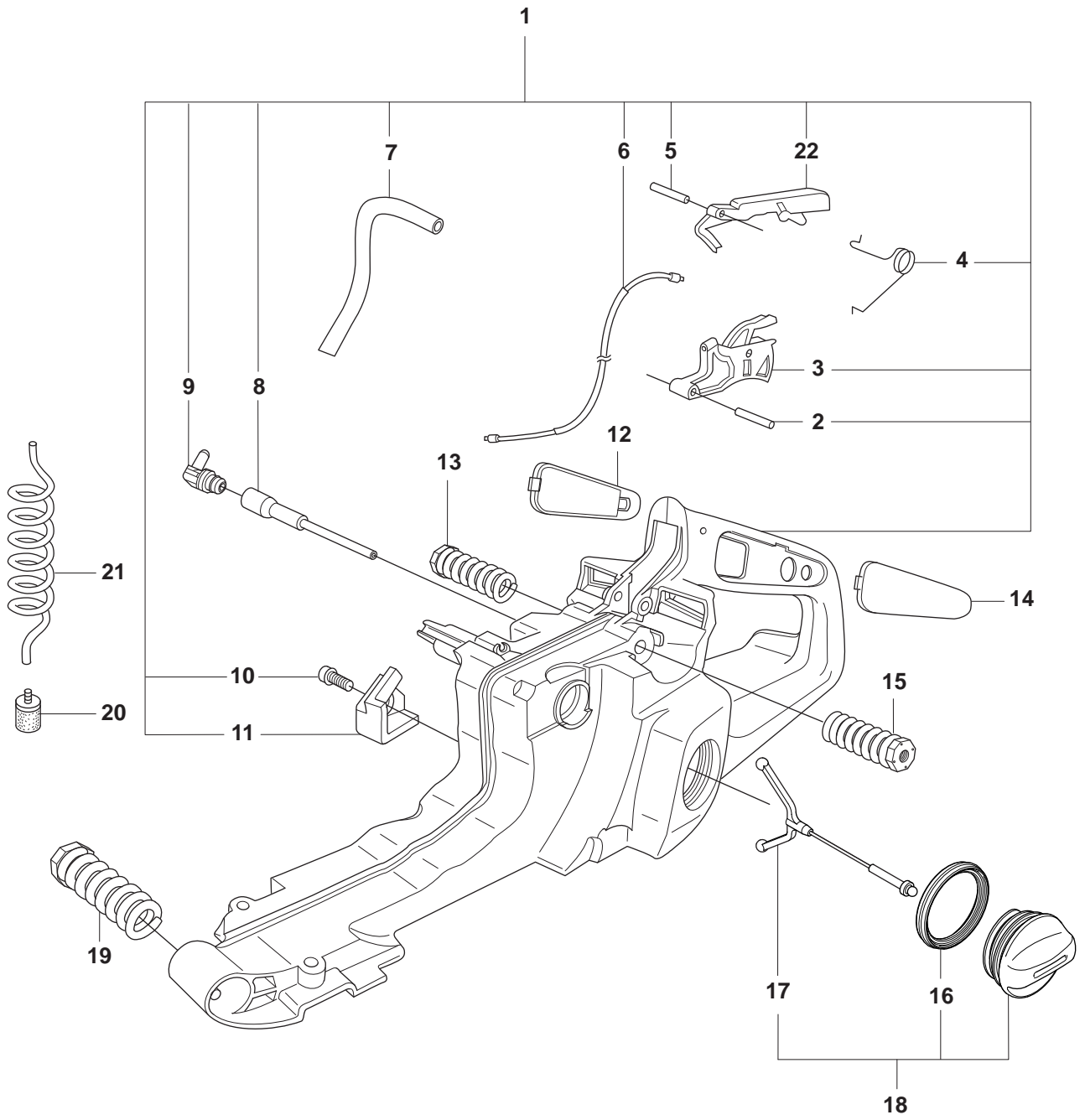
Position	Article	Quantity	Notes	Kit
1	544 02 91-04	1	DF	
2	724 12 87-59	1		1
3	503 76 64-02	1		1
4	544 02 91-03	1	JUNGLE	
5	725 53 70-55	2		
6	503 76 65-03	1		
7	503 20 02-16	2		
8	503 20 07-12	2		

G CS2186, CS2188
INTAKE

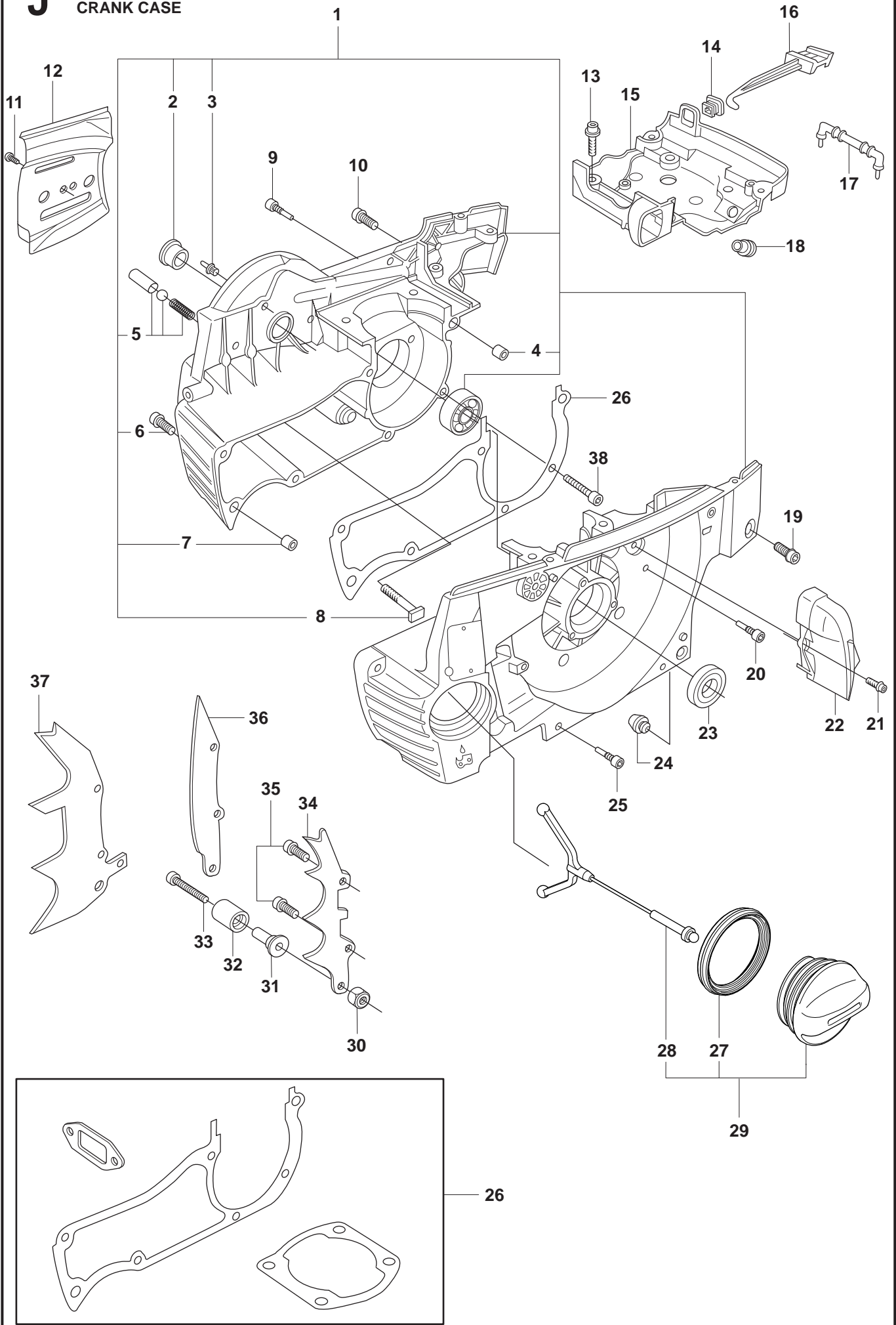


Position	Article	Quantity	Notes	Kit
1	537 01 47-01	1	80μ	
1	537 01 47-02	1	44μ	
1	537 01 47-03	1	Felt	
2	537 21 32-01	1		
4	537 00 91-01	1		
5	731 23 14-01	1		4
6	725 53 09-55	2		
7	503 70 11-01	2		
8	544 97 51-01	1		
9	503 68 41-01	1		
10	505 28 33-02	1		
11	537 11 14 -01	1		
12	537 00 37-01	1		
13	503 96 22-01	1		
14	501 35 54-01	1	WJ116	
14	501 35 52-01	1	W118 (EPA)	
15	503 40 06-04	1		

H CS2186, CS2188
HANDLE COMP

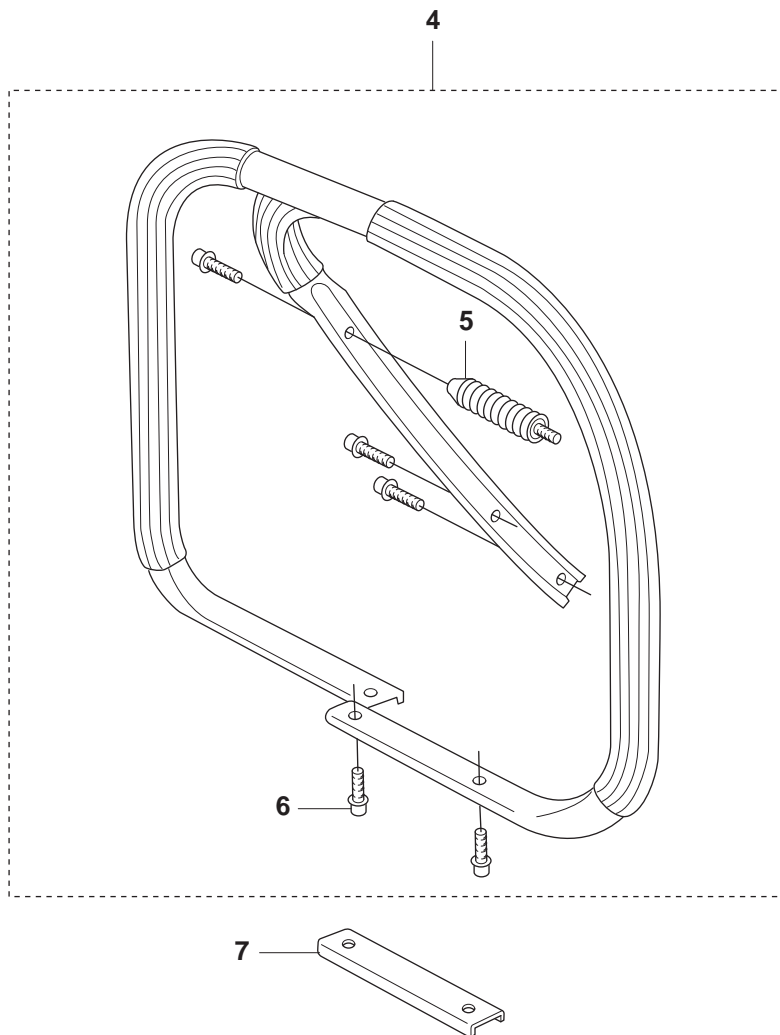
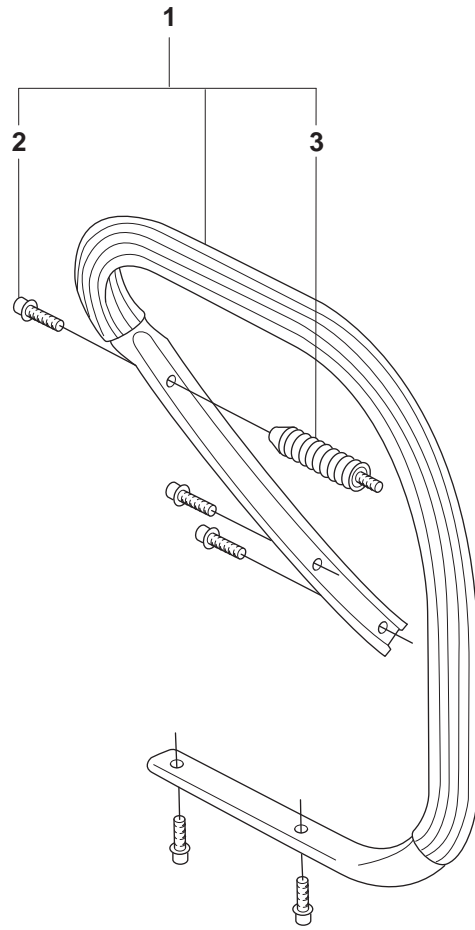


Position	Article	Quantity	Notes	Kit
1	537 00 03-72	1		
2	720 12 72-20	1		1
3	503 82 98-02	1		1
4	503 73 64-01	1		1
5	720 12 40-20	1		1
6	503 71 76-01	1		1
7	544 32 49-06	1		1
8	537 09 22-01	1		1
9	537 09 93-01	1		1
10	503 21 88-20	1		1
11	537 00 88-02	1		1
12	537 03 34-02	1		
13	537 01 79-01	1		
14	537 03 34-02	1		
15	537 01 79-01	1		
16	537 21 50-01	1		18
17	503 57 89-01	1		18
18	537 21 52-01	1		
19	537 01 75-01	1		
20	503 44 32-01	1		
21	544 32 50-02	1		
22	503 55 66-02	1		1

J**CS2186, CS2188
CRANK CASE**

Position	Article	Quantity	Notes	Kit
1	503 99 11-06	1		
2	503 96 70-01	1		1
3	503 75 18-01	1		1
4	501 27 08-01	1		1
5	537 04 03-01	1		1
6	503 21 88-25	1		
7	501 27 08-01	1		1
8	537 05 13-01	2		1
9	503 74 93-01	1		
10	503 21 88-76	1		
11	503 21 28-10	1		
12	537 04 66-01	1		
13	503 20 07-12	4		
14	503 73 44-01	1		
15	537 00 14-04	1		
16	537 00 12-01	1		
17	503 67 86-01	1		
18	537 09 54-01	1		
19	503 21 88-25	1		
20	503 74 93-01	1		
21	503 20 07-12	1		
22	537 00 79-01	1		
23	503 26 02-05	1		
24	503 84 61-01	2		
25	503 74 93-01	1		
26	537 03 39-01	1	Set of gaskets	
27	537 21 50-01	1		29
28	503 57 89-01	1		29
29	537 21 52-01	1		
30	503 22 24-01	1		
31	537 08 92-01	1		
32	537 02 44-01	1		
33	503 20 02-30	1		
34	537 01 71-01	1		
35	503 20 02-16	2		
36	537 04 29-01	1		
37	537 01 72-01	1	WA	
38	503 20 16-35	6		

K CS2186, CS2188
HANDLE ASSY

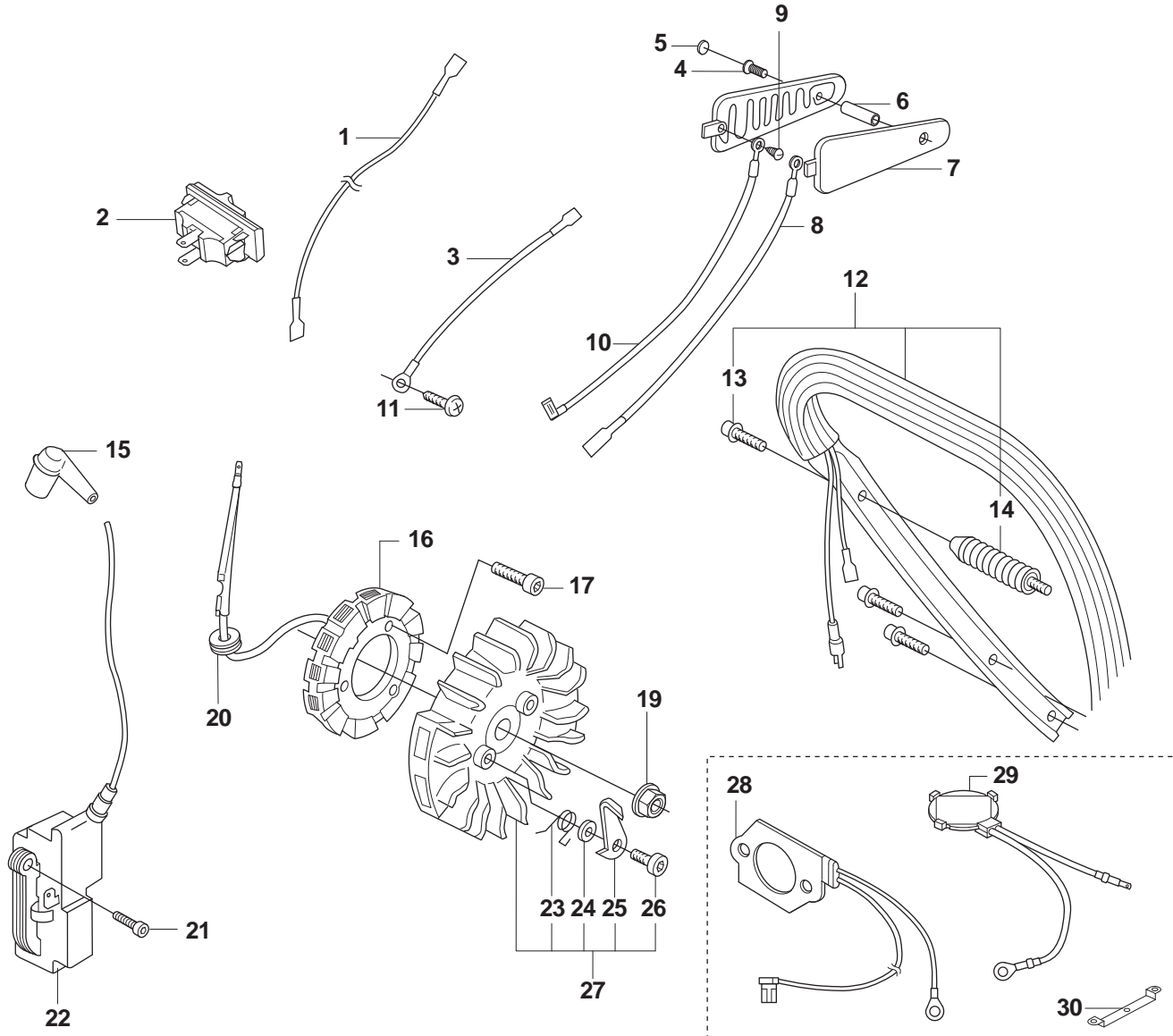


Page K CS2186 HANDLE ASSY
CS2188

Position	Article	Quantity	Notes	Kit
1	537 16 78-71	1		
1	537 16 78-72	1	W	
2	503 21 88-20	5		1
3	503 52 87-02	1		1
4	537 16 79-01	1	WA	
5	503 52 87-02	1		4
6	503 21 88-20	5		4
7	537 03 73-01	1	WA	

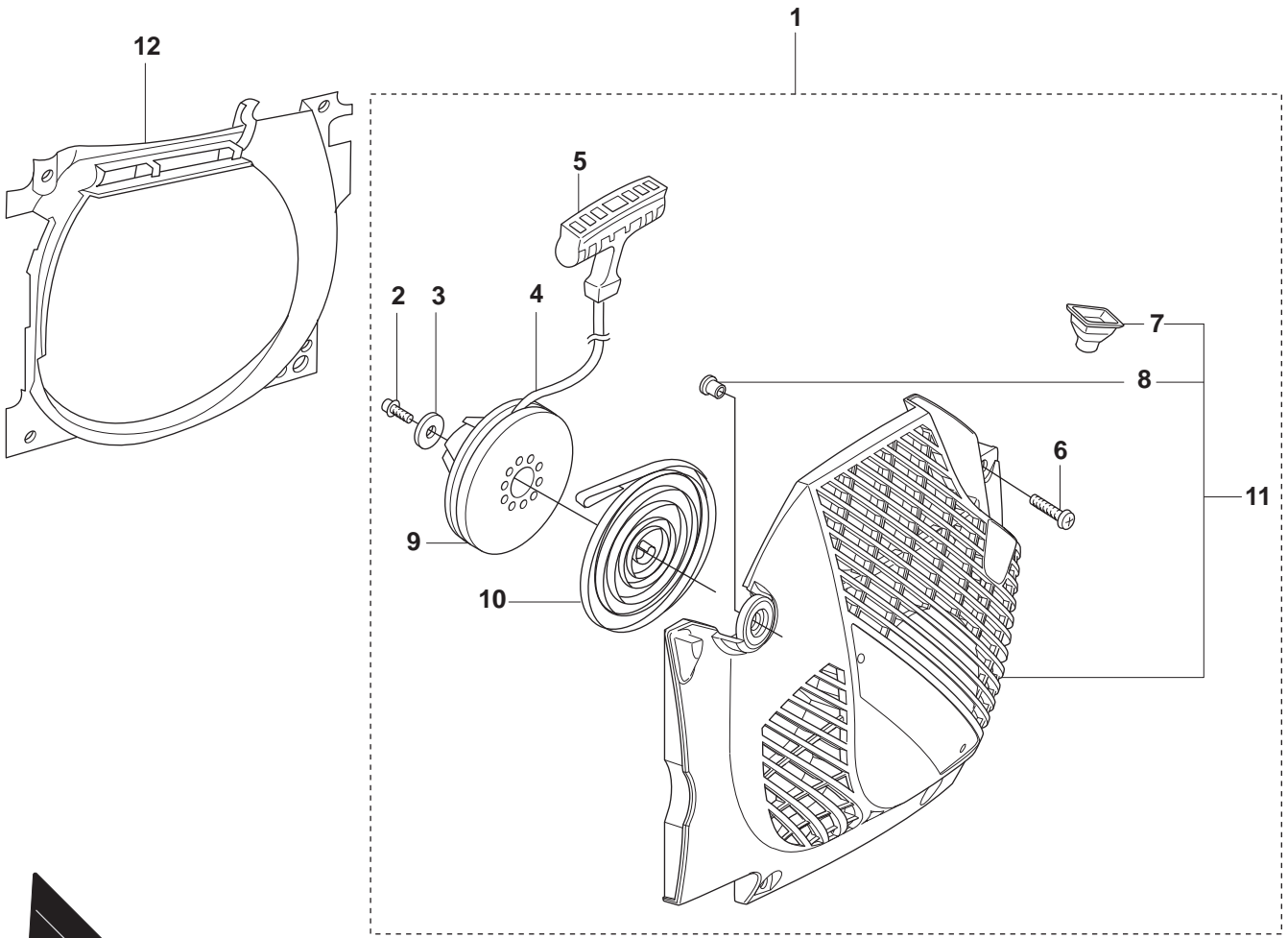


CS2186, CS2188
ROTOR ASSY
MODULE ASSY



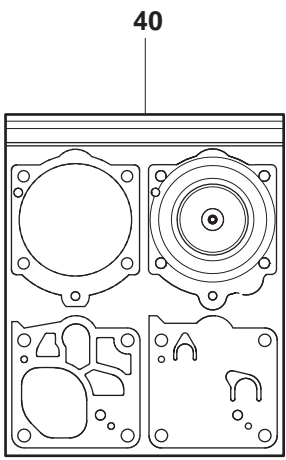
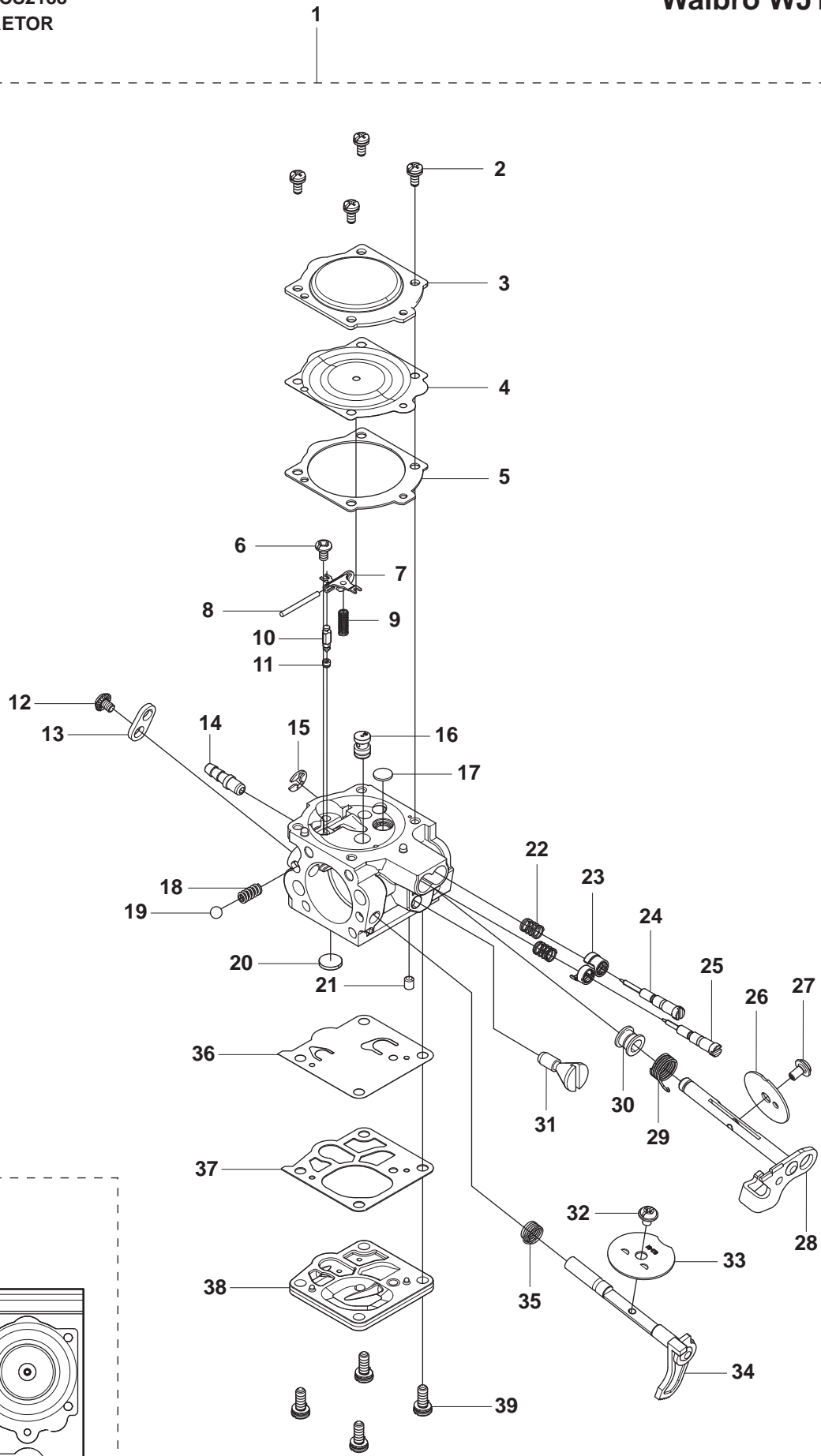
Position	Article	Quantity	Notes	Kit
1	503 62 61-02	1		
2	503 71 82-01	1		
2	503 71 82-02	1	W	
3	503 89 76-01	1		
4	724 32 24-05	2	W	
5	501 79 51-02	2	W	
6	537 05 26-01	1	W	
7	501 62 93-04	2	W	
8	537 04 06-01	1	W	
9	503 21 29-06	2	W	
10	537 04 05-01	1	W	
11	503 21 28-10	1		
12	537 16 78-72	1	W	
13	503 21 88-20	5		12
14	503 68 45-03	1		12
15	501 48 54-02	1		
16	537 07 18-02	1	W	
17	725 52 91-56	3	W	
19	503 22 04-01	1		
20	501 43 00-01	1	W	
21	503 20 02-20	2		
22	510 11 49-01	1		
23	501 67 35-01	2		27
24	503 23 00-42	2		27
25	537 01 55-01	2		27
26	501 81 99-01	2		27
27	537 05 16-05	1		
27	537 05 16-06	1	W	
28	537 06 53-01	1	WH	
29	537 18 98-01	1	WH	
30	537 06 32-01	1		

M CS2186, CS2188
STARTER ASSY

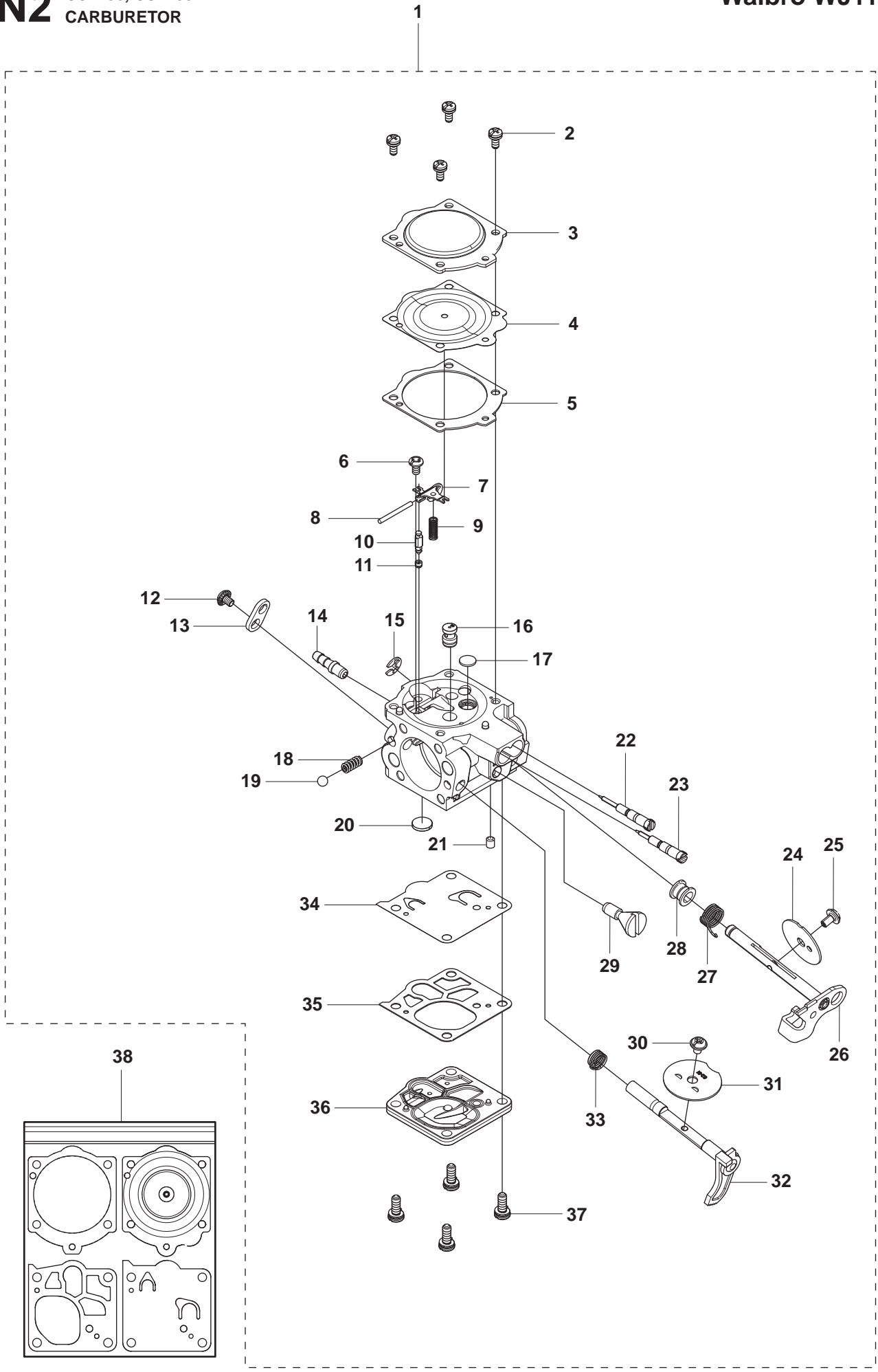


- 13 **Jonsered**
CS 2186
- 14 **Jonsered**
CS 2186 WH

Position	Article	Quantity	Notes	Kit
1	537 16 83-71	1		
2	503 21 49-16	1		1
3	503 23 43-02	1		1
4	503 43 29-01	1		1
5	504 65 42-03	1		1
6	503 20 34-19	4		1,11
7	501 63 06-01	1		1,11
8	537 08 67-01	1		1,11
9	503 85 96-01	1		1
10	503 78 72-01	1		1
11	537 16 84-71	1		1
12	537 00 13-01	1		
13	537 16 89-01	1	CS2186	
13	537 16 89-05	1	CS2188	
14	537 16 89-02	1	WH, CS2186	



Position	Article	Quantity	Notes	Kit
1	501 35 52-01	1		
2	503 10 87-01	4		1
3	505 31 67-02	1		1
4	505 31 67-15	1		1, 40
5	501 46 75-01	1		1, 40
6	505 31 67-17	1		1
7	505 31 67-34	1		1
8	505 31 67-31	1		1
9	504 79 12-01	1		1
10	503 56 34-01	1		1
11	503 59 23-01	1		1
12	501 46 87-01	1		1
13	504 79 07-01	1		1
14	505 69 69-01	1		1
15	505 31 67-36	1		1
16	504 79 09-01	1		1
17	504 79 08-01	1		1
18	503 11 77-01	1		1
19	503 11 71-01	1		1
20	501 66 61-01	1		1
21	503 80 05-01	1		1
22	544 97 10-01	2		1
23	544 97 08-01	2		1
24	504 79 18-01	1	Low speed	1
25	544 97 13-01	1	High speed	1
26	503 80 00-01	1		1
27	544 11 15-01	1		1
28	504 79 04-01	1		1
29	504 79 14-01	1		1
30	502 10 31-01	2		1
31	504 79 11-01	1		1
32	537 00 34-01	1		1
33	505 31 67-07	1		1
34	504 79 05-01	1		1
35	504 79 15-01	1		1
36	544 89 72-01	1		1, 40
37	503 11 72-01	1		1, 40
38	504 79 03-01	1		1
39	503 11 75-01	4		1
40	522 59 18-01	1	Set of gaskets	

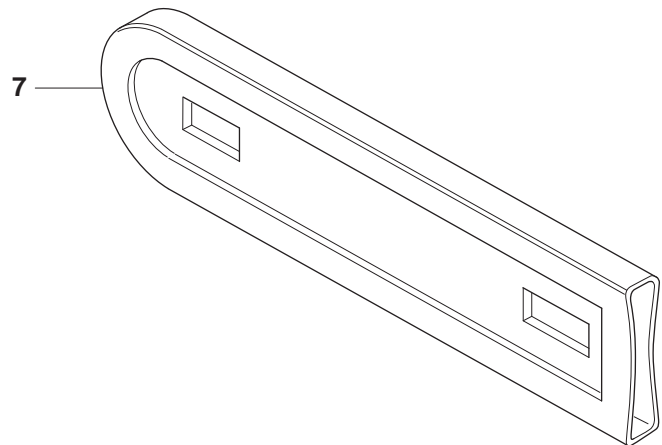
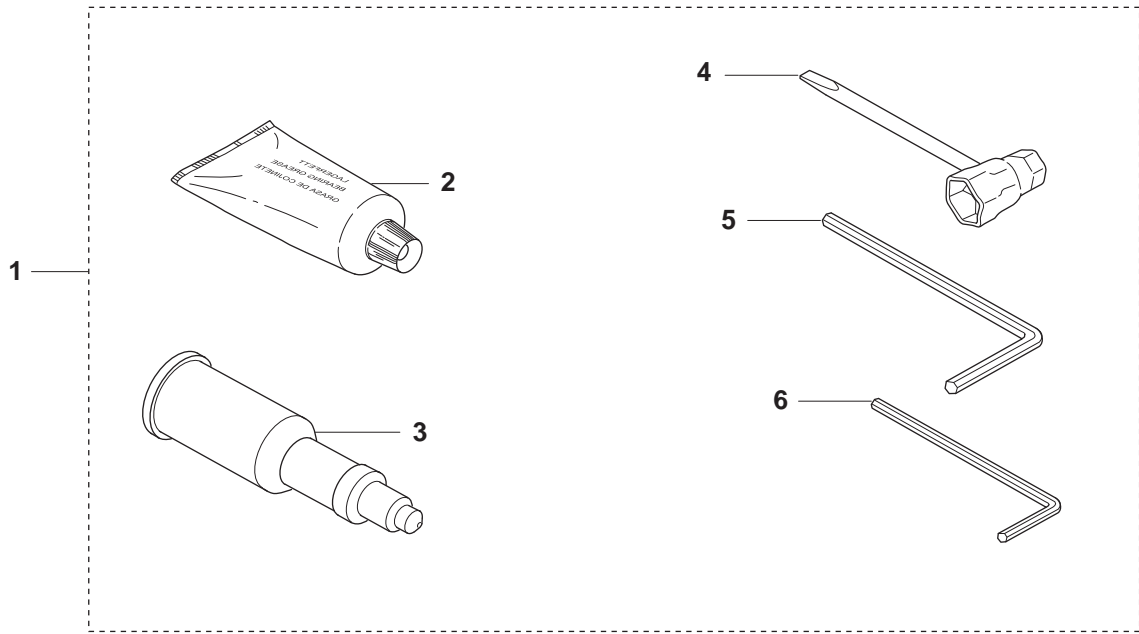


Page N2 CS2186 CARBURETOR
CS2188

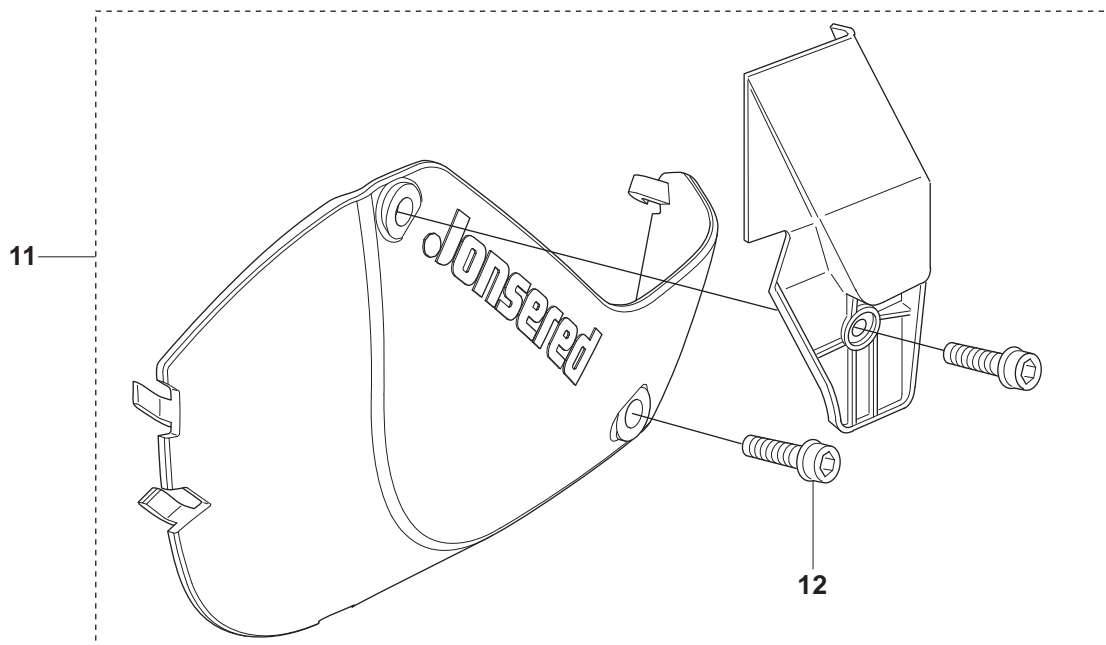
Position	Article	Quantity	Notes	Kit
1	501 35 54-01	1		
2	503 10 87-01	4		1
3	505 31 67-02	1		1
4	505 31 67-15	1		1, 38
5	501 46 75-01	1		1, 38
6	505 31 67-17	1		1
7	505 31 67-34	1		1
8	505 31 67-31	1		1
9	504 79 12-01	1		1
10	503 56 34-01	1		1
11	503 59 23-01	1		1
12	501 46 87-01	1		1
13	504 79 07-01	1		1
14	505 69 69-01	1		1
15	505 31 67-36	1		1
16	504 79 09-01	1		1
17	504 79 08-01	1		1
18	503 11 77-01	1		1
19	503 11 71-01	1		1
20	501 66 61-01	1		1
21	503 80 05-01	1		1
22	504 79 18-01	1	Low speed	1
23	544 97 13-01	1	High speed	1
24	503 80 00-01	1		1
25	544 11 15-01	1		1
26	504 79 04-01	1		1
27	504 79 14-01	1		1
28	502 10 31-01	2		1
29	504 79 11-01	1		1
30	537 00 34-01	1		1
31	505 31 67-07	1		1
32	504 79 05-01	1		1
33	504 79 15-01	1		1
34	544 89 72-01	1		1, 38
35	503 11 72-01	1		1, 38
36	504 79 03-01	1		1
37	503 11 75-01	4		1
38	522 59 18-01	1	Set of gaskets	

P

CS2186, CS2188 ACCESSORIES



WINTER KIT

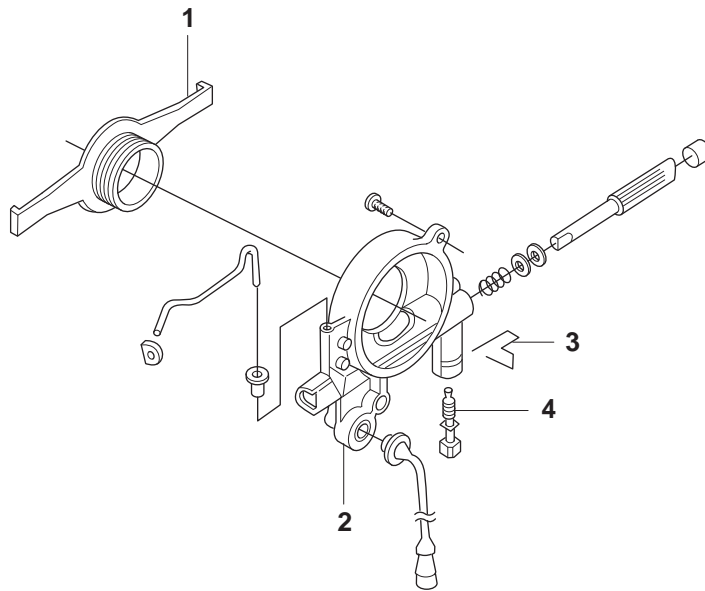


Page P CS2186 ACCESSORIES
CS2188

Position	Article	Quantity	Notes	Kit
1	503 55 85-01	1		
2	503 62 12-01	1		1
3	501 91 14-01	1		1
4	501 69 17-02	1		1
5	503 55 86-02	1	NV5	1
6	503 55 86-01	1	NV4	1
7	501 83 44-02	1	13"-16"	
7	501 83 44-05	1	18"-22"	
7	501 83 45-02	1	24"-28"	
8	537 24 43-01	1		
9	537 16 89-01	1	CS2186	
9	537 16 89-05	1	CS2188	
10	537 16 89-02	1	CS2188, W	
11	537 20 11-01	1	Winter kit	
12	503 21 70-16	2		11

Q CS2186, CS2188
OIL PUMP

Up to 060600001.



Page Q **CS2186** **OIL PUMP**
 CS2188

Position	Article	Quantity	Notes	Kit
1	503 75 61-04	1		
2	503 52 13-02	1		
3	503 81 30-01	1		
4	503 81 13-01	1		