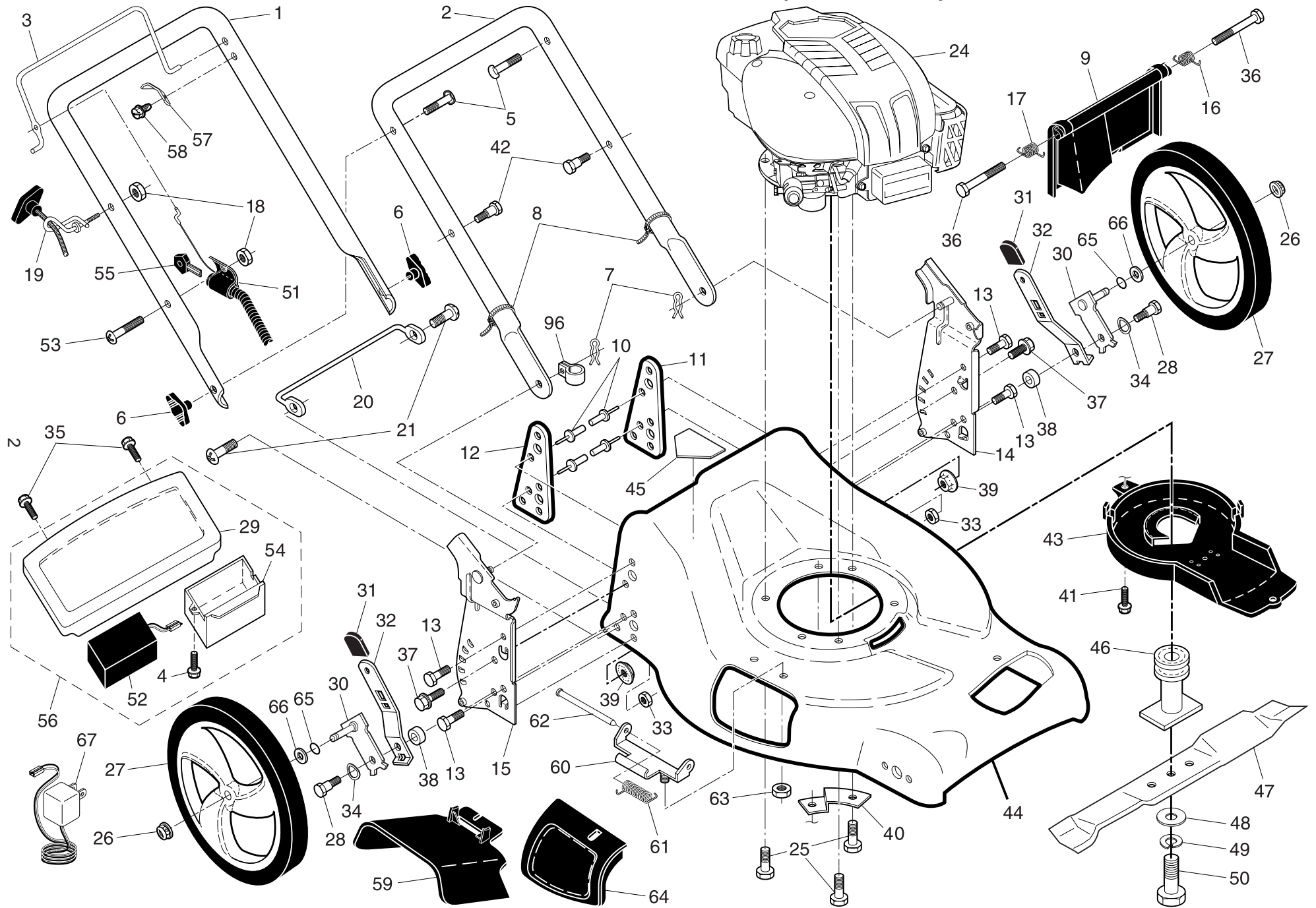


LM2153 CMDAE

Spare parts
Ersatzteile
Pièces détachées
Reserve onderdelen
Repuestos
Reservdelar

ROTARY LAWN MOWER - MODEL NUMBER LM2153CMDAE (96141016700) PRODUCT NO. 961 41 01-67

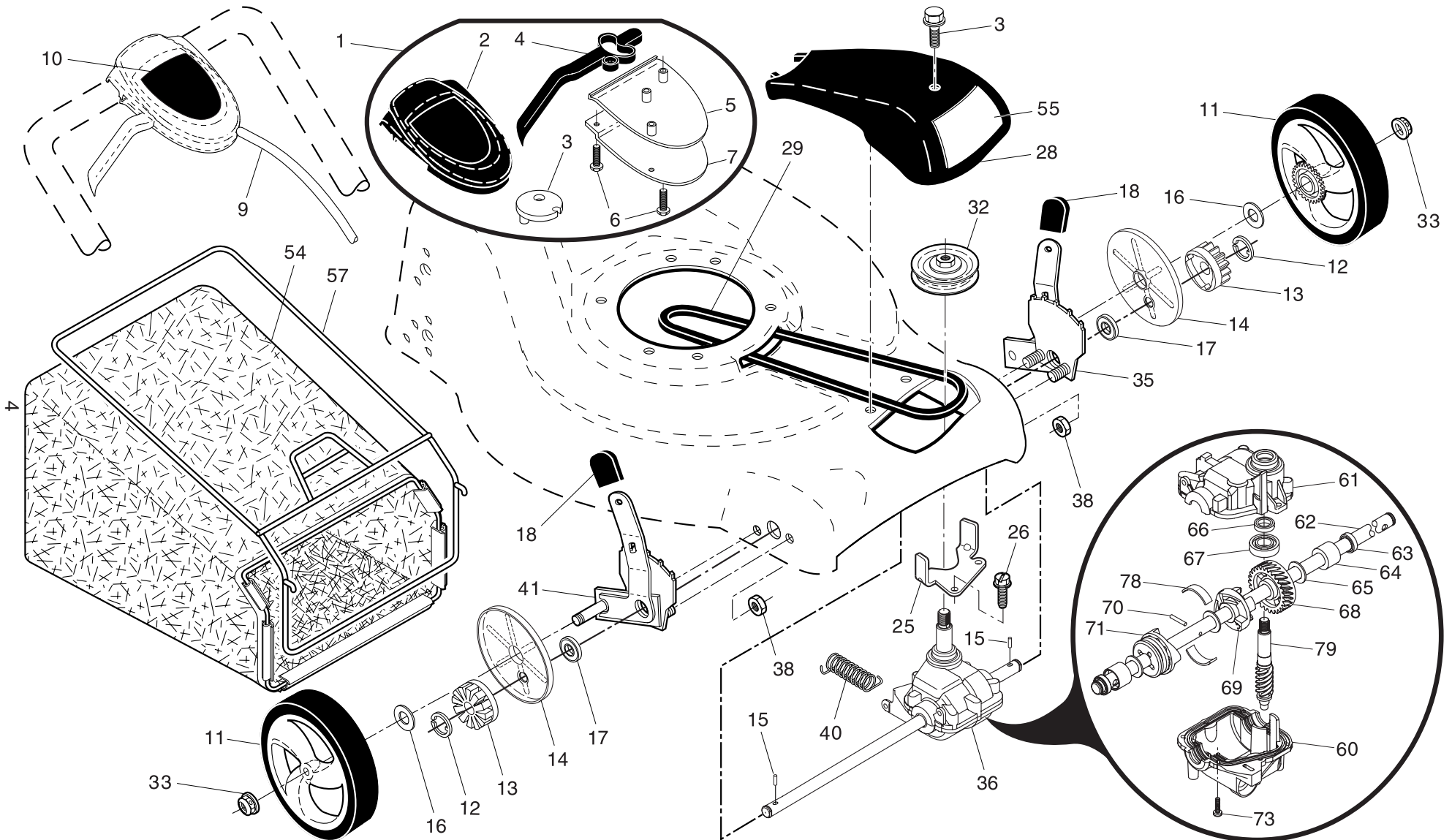


ROTARY LAWN MOWER - MODEL NUMBER LM2153CMDAE (96141016700) PRODUCT NO. 961 41 01-67

KEY NO.	PART NO.	DESCRIPTION	KEY NO.	PART NO.	DESCRIPTION
1	532 40 29-05	Upper Handle	39	532 15 53-77	Locknut, Hex, Flanged, Serrated 5/16-18
2	532 19 63-49	Lower Handle	40	532 19 09-39	Mounting Bracket, Debris Shield
3	532 40 29-32	Control Bar	41	532 19 23-25	Screw
4	817 41 13-08	Screw	42	532 17 55-51	Bolt, Shoulder
5	532 19 15-74	Handle Bolt	43	532 40 58-44	Debris Shield
6	532 19 19-38	Handle Knob	44	532 41 14-04	Kit, Lawn Mower Housing (Includes Key Numbers 10, 11, 12 and 45)
7	532 05 17-93	Hairpin Cotter			
8	532 06 64-26	Wire Tie	45	532 18 21-66	Danger Decal
9	532 40 69-85	Rear Door Assembly	46	532 19 77-52	Blade Adapter / Pulley
10	532 12 84-15	Pop Rivet	47	532 19 93-77	Blade, 21"
11	532 40 65-73	Support Bracket, LH	48	532 85 10-74	Hardened Washer
12	532 40 65-74	Support Bracket, RH	49	532 85 02-63	Helical Washer 3/8-24 x 1-3/8 Grade 8
13	817 06 04-10	Screw 1/4-20 x 5/8	50	532 85 10-84	Hex Head Machine Screw 3/8-24 x 1-3/8 Grade 8
14	532 19 60-37	Handle Bracket Assembly, LH	51	532 18 96-86	Key Start Switch
15	532 19 60-36	Handle Bracket Assembly, RH	52	532 18 95-89	Battery
16	532 40 54-17	Spring, Rear Door, LH	53	532 18 61-59	Screw
17	532 40 54-18	Spring, Rear Door, RH	54	532 18 62-37	Box, Battery
18	532 13 20-04	Keps Locknut 1/4-20	55	532 18 03-31	Key
19	532 19 47-88	Rope Guide	56	532 19 12-52	Trimplate, Battery & Battery Box Assembly
20	532 41 35-43	Foot Guard	57	532 12 51-62	Bracket, Upstop
21	817 49 04-16	Hinge Screw 1/4-20 x 1-1/4	58	532 75 06-34	Screw, Threaded, Rolled #10-24 x 1/2
24	- - -	Engine, Briggs & Stratton, Model Number 12S505 (order parts from engine manufacturer)	59	532 17 50-71	Discharge Deflector
25	532 15 04-06	Hex Head Thread Rolling Screw 3/8-16 x 1-1/8	60	532 17 57-35	Hinge Bracket
26	532 40 91-49	Hex Flange Nut	61	532 19 30-00	Hinge Spring
27	532 40 25-95	Wheel & Tire Assembly	62	532 17 56-50	Hinge Rod
28	532 40 16-38	Shoulder Bolt 5/16-18 x .33	63	873 80 04-00	Nut, Hex
29	532 41 11-90	Trimplate Assembly	64	532 17 50-66	Mulcher Door
30	532 41 31-41	Axle Arm Assembly, Rear	65	532 19 74-80	O-Ring
31	532 70 10-37	Selector Knob	66	532 08 83-48	Washer, Flat
32	532 40 98-89	Selector Spring	67	532 19 24-36	Charger, Battery
33	873 80 05-00	Nut, Hex	96	532 19 79-91	Clip, Cable
34	532 40 16-30	Washer, Curved, Cylindrical	--	532 18 21-34	Warning Decal (not shown)
35	532 14 18-41	Screw	--	532 41 57-10	Operator's Manual, European
36	532 18 41-93	Bolt	--	532 41 57-11	Operator's Manual, Scandinavian
38	532 40 16-29	Spacer	--	532 41 68-59	Operator's Manual, East Bloc
			--	532 41 57-12	Operator's Manual, Baltic

NOTE: All component dimensions given in U.S. inches. 1 inch = 25.4 mm. **IMPORTANT:** Use only Original Equipment Manufacturer (O.E.M.) replacement parts. Failure to do so could be hazardous, damage your lawn mower and void your warranty.

ROTARY LAWN MOWER - MODEL NUMBER LM2153CMDAE (96141016700) PRODUCT NO. 961 41 01-67



ROTARY LAWN MOWER - MODEL NUMBER LM2153CMDAE (96141016700) PRODUCT NO. 961 41 01-67

KEY NO.	PART NO.	DESCRIPTION	KEY NO.	PART NO.	DESCRIPTION
1	532 40 62-57	Drive Control Assembly (Includes Cable)	36	532 40 48-33	Gear Case Assembly, Complete
2	532 41 35-42	Cover, Drive Control, Top	38	873 80 04-00	Locknut, Hex 1/4-20
3	532 40 62-62	Pulley, Drive Control	40	532 40 65-58	Spring
4	532 18 82-81	Lever, Drive Control	41	532 40 88-61	Kit, Wheel Adjuster, RH (Includes Knob and Bearing)
5	532 41 35-41	Cover, Drive Control, Bottom	54	532 40 19-05	Grassbag Assembly
6	532 18 16-98	Screw #8 x .62	55	532 19 34-58	Decal, Drive Control
7	532 40 07-23	Mounting Bracket, Drive Control	57	532 41 19-50	Frame, Grassbag
9	532 40 62-59	Cable, Drive Control	60	532 41 07-34	Case, Lower
11	532 40 25-67	Wheel & Tire Assembly	61	532 41 07-26	Case, Upper
12	812 00 00-58	E-Ring	62	532 41 09-49	Shaft, Output
13	532 40 38-49	Pinion	63	532 18 35-08	Seal, Output Shaft
14	532 18 94-03	Dust Cover	64	532 18 35-11	Bushing
15	532 40 48-45	Pawl, Drive	65	532 18 35-09	Washer
16	532 06 77-25	Washer 1/2 x 1-1/2 x .134	66	532 18 35-14	Seal, Worm Shaft
17	532 19 10-39	Bearing, Wheel Adjuster	67	532 18 35-06	Bearing, Ball
18	532 08 78-77	Selector Knob	68	532 41 07-29	Gear, 28 Teeth
25	532 41 16-63	Belt Keeper	69	532 41 07-32	Fixed Dog Clutch
26	532 16 34-09	Screw, Hi-Lo Thread #12 x 5/8	70	532 41 07-33	Pin
27	532 17 52-62	Pan Head Tapping Screw #10-24 x 2-3/4	71	532 41 07-30	Movable Dog Clutch
28	532 18 14-68	Drive Cover	73	532 18 35-13	Screw, Case
29	532 19 41-49	V-Belt	78	532 41 07-31	Spring, Leaf
33	532 40 91-48	Locknut, Hex	79	532 41 07-27	Shaft, Worm
35	532 40 88-62	Kit, Wheel Adjuster, LH (Includes Knob and Bearing)			

NOTE: All component dimensions given in U.S. inches. 1 inch = 25.4 mm. **IMPORTANT:** Use only Original Equipment Manufacturer (O.E.M.) replacement parts. Failure to do so could be hazardous, damage your lawn mower and void your warranty.