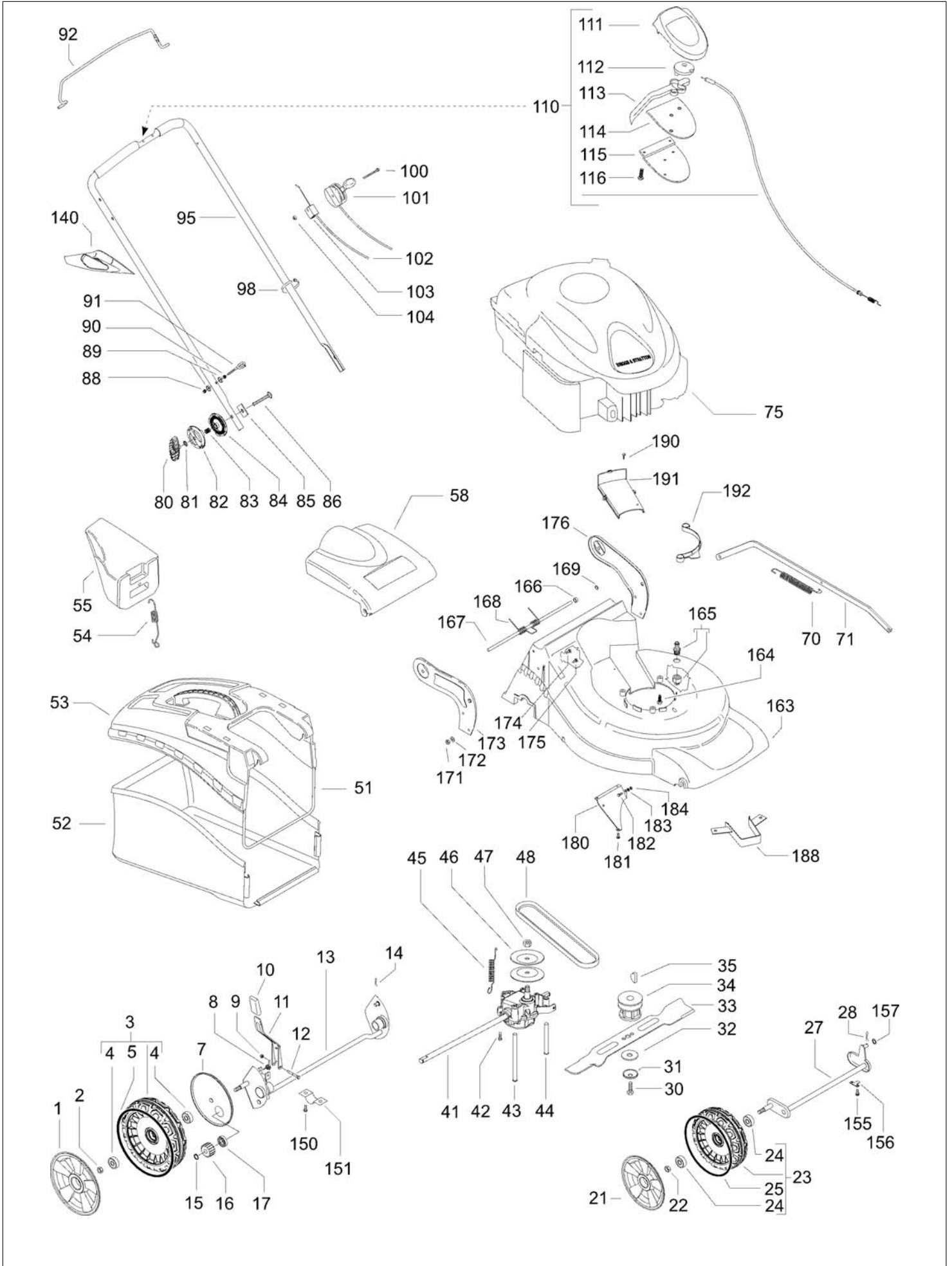


LM2151 CMDA

Spare parts
Ersatzteile
Pièces détachées
Reserve onderdelen
Repuestos
Reservdelar



Pos.	P/n°	DESCRIPTION	Q.ty	Pos.	P/n°	DESCRIPTION	Q.ty
1	544 44 61-01	wheel cover Ø210	2	84	531 21 14-73	locking disc, inner	2
2	504 85 78-01	nut M8, self locking, flange	2	85	531 21 15-81	plate	2
3	502 44 56-03	wheel assy Ø210	2	86	531 21 14-80	screw M8x55	2
4	504 54 82-01	ball bearing	4	88	531 20 84-91	nut M6 self	2
5	544 43 28-03	o-ring, wheel Ø210	2	89	531 20 49-61	washer	4
7	504 82 73-01	dust shield Ø210	2	90	531 20 71-65	nut M6	2
8	531 21 08-17	spring	1	91	531 20 51-69	starter cable guide	2
9	531 20 84-92	nut M5, self locking	1	92	544 46 38-02	brake lever	1
10	531 20 79-86	handle, wheel regulator	1	95	544 91 48-02	handle	1
11	501 97 99-01	wheel regulator lever	1	98	531 20 55-81	binder	2
12	538 23 58-07	screw M5x45	1	100	531 21 35-17	screw M6x80	1
13	504 80 01-01	rear axle	1	101	504 86 82-01	accelerator lever&cable	1
14	531 20 66-53	cotter pin	1	102	531 21 35-22	brake cable	1
15	531 20 87-72	seeger	2	103	531 20 80-43	cable support	1
16	544 34 23-01	gear	2	104	531 20 84-91	nut M6	1
17	531 20 87-78	ball bearing	2	110	544 93 29-02	EZ control assy	1
21	544 44 59-01	wheel cover Ø190	1	111	532 19 57-61	cover	1
22	504 85 78-01	nut M8, self locking, flange	2	112	532 18 73-53	pulley	1
23	502 44 50-03	wheel assy Ø190	2	113	532 19 00-37	lever	1
24	504 54 82-01	ball bearing	4	114	532 19 57-62	plate	1
25	544 43 31-03	o-ring, wheel Ø190	2	115	532 18 70-97	holder	1
27	504 85 65-01	front axle	1	116	532 18 16-98	screw	5
28	531 20 66-53	cotter pin	1	140	544 89 93-01	deck scraping tool	1
30	531 20 80-08	screw, 3/8"	1	150	531 20 73-85	screw	4
31	531 20 72-37	spring washer	1	151	531 20 66-52	rear axle holder	2
32	531 20 72-43	washer	1	155	531 20 78-56	screw	4
33	504 11 33-01	mulching blade	1	156	531 20 55-36	front axle holder	2
34	531 20 78-48	blade support	1	157	531 20 49-06	washer	2
35	531 20 49-07	key	1	163	505 25 62-01	deck	1
41	544 42 89-03	gear box	1	164	531 21 28-51	screw 3/8 + split washer	3
42	538 24 08-62	screw 4x18, self thread	2	165	531 20 58-48	snap on connector 1/2"	1
43	504 10 32-01	belt guide	1	166	531 21 19-66	spacer	1
44	544 93 43-01	belt guide	1	167	531 21 33-44	safety flap bar	1
45	544 93 47-01	gear box spring	1	168	531 20 65-31	spring	1
46	504 54 79-01	pulley plate	2	169	531 21 08-24	washer	1
47	504 54 80-01	nut	2	170	531 20 55-57	cable housing	1
48	504 03 51-01	belt Z33 10x825	1	171	531 20 79-82	nut M8	7
51	501 32 24-01	sack frame	1	172	531 20 79-81	washer	10
52	531 21 32-11	sack	1	173	531 21 21-10	handle support dx	1
53	501 32 21-01	sack cover	1	174	531 20 57-41	screw M8x16	1
54	531 20 58-31	spring, mulching plug	1	175	531 20 49-21	screw M8x25	4
55	531 21 32-26	mulching plug	1	176	531 21 33-69	handle support sx	1
58	501 32 23-01	safety flap	1	180	501 96 60-01	deflector	1
70	531 20 57-15	wheel regulation spring	1	181	531 20 78-56	screw	2
71	531 21 32-22	wheel regulation bar	1	182	531 20 78-38	screw M5x16	1
75	engine, model	Briggs & Stratton, 12H80218	1	183	531 20 66-66	washer	1
80	531 20 58-40	handle	2	184	531 20 84-92	nut M5, self locking	1
81	531 20 49-22	washer	2	188	544 46 86-01	belt housing	1
82	531 21 14-74	locking disc, outer	2	190	531 20 78-56	screw	2
83	531 21 14-76	spring	2	191	531 21 32-25	belt cover	1
				192	531 20 63-08	cover	1