

FR 2213 MA

Spare parts

Ersatzteile

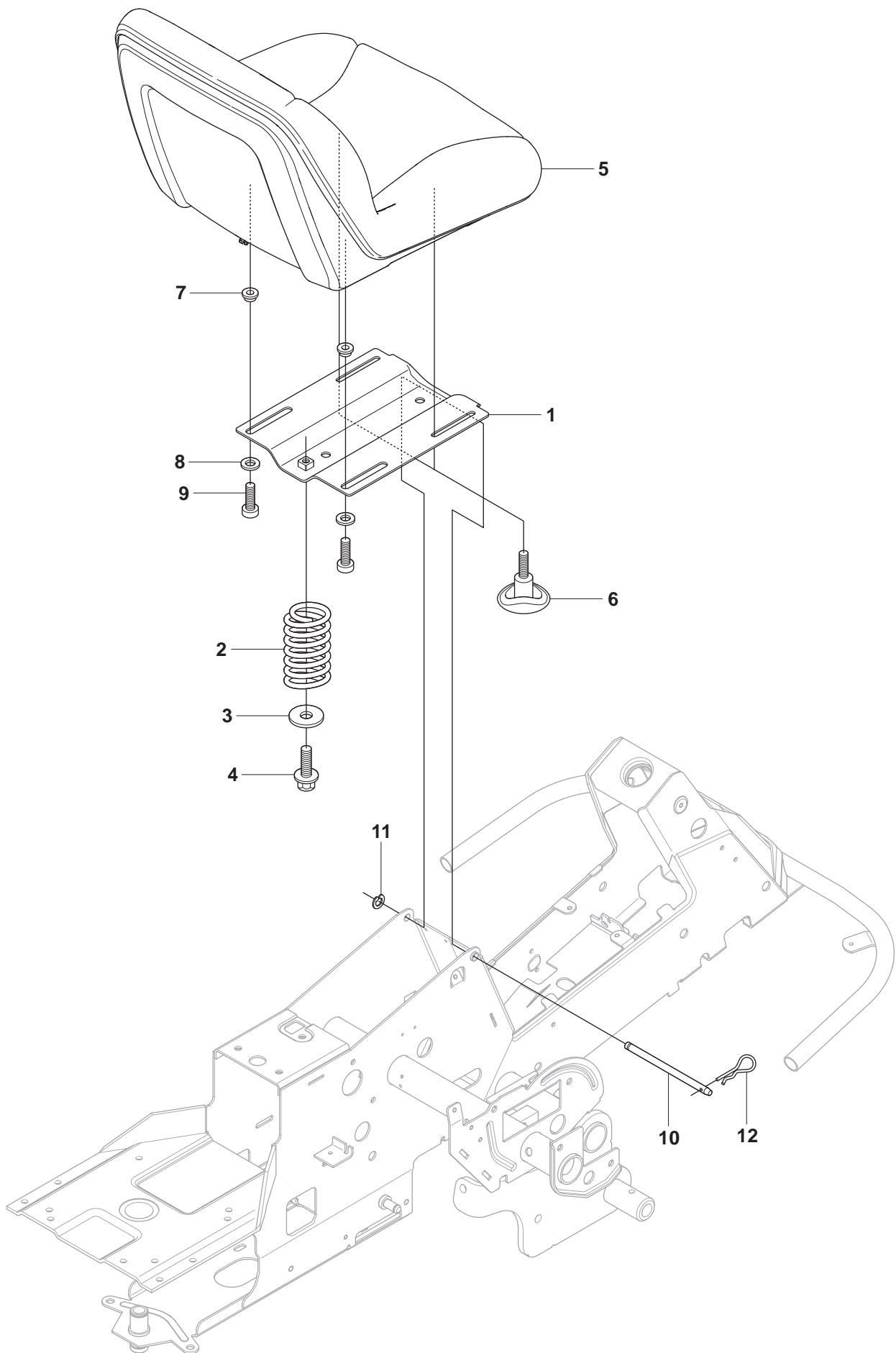
Pièces détachées

Reserve onderdelen

Repuestos

Reservdelar

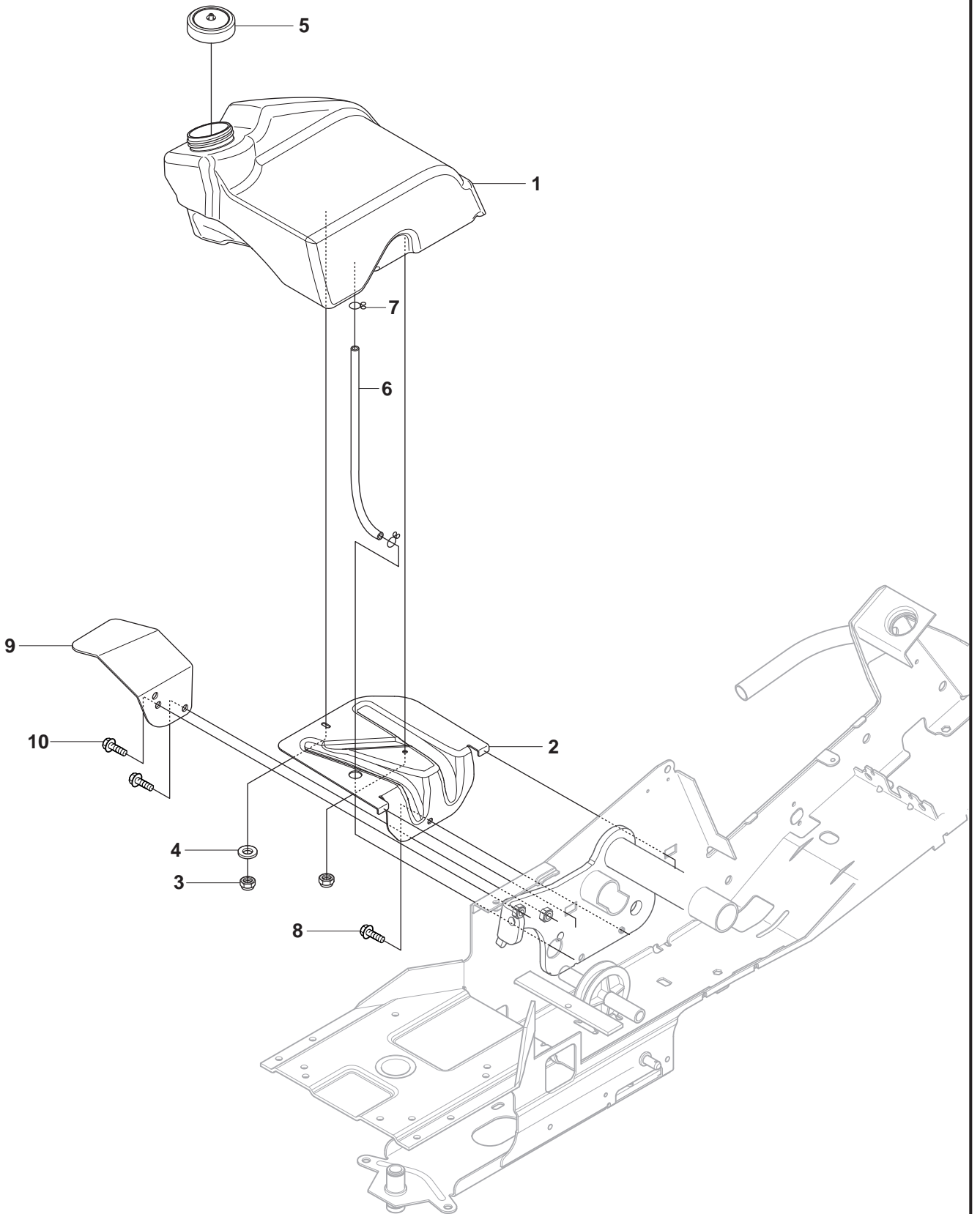
A 965 19 03-01 FR2213 MA
SEAT, TS2500



A965 19 03-01 FR2213 MA
SEAT, TS2500

Pos.	Compl No.	Part No.	Description	Qty.	Notes
1		544 32 85-04		1	
2		506 91 53-01		1	
3		734 11 74-41		1	
4		725 24 93-71		1	
5		502 60 97-01		1	
6		506 56 55-01		2	
7		506 56 53-01		2	
8		734 11 64-41		2	
9		506 55 63-01		2	
10		506 50 99-01		1	
11		735 31 12-00		1	
12		506 66 88-01		1	

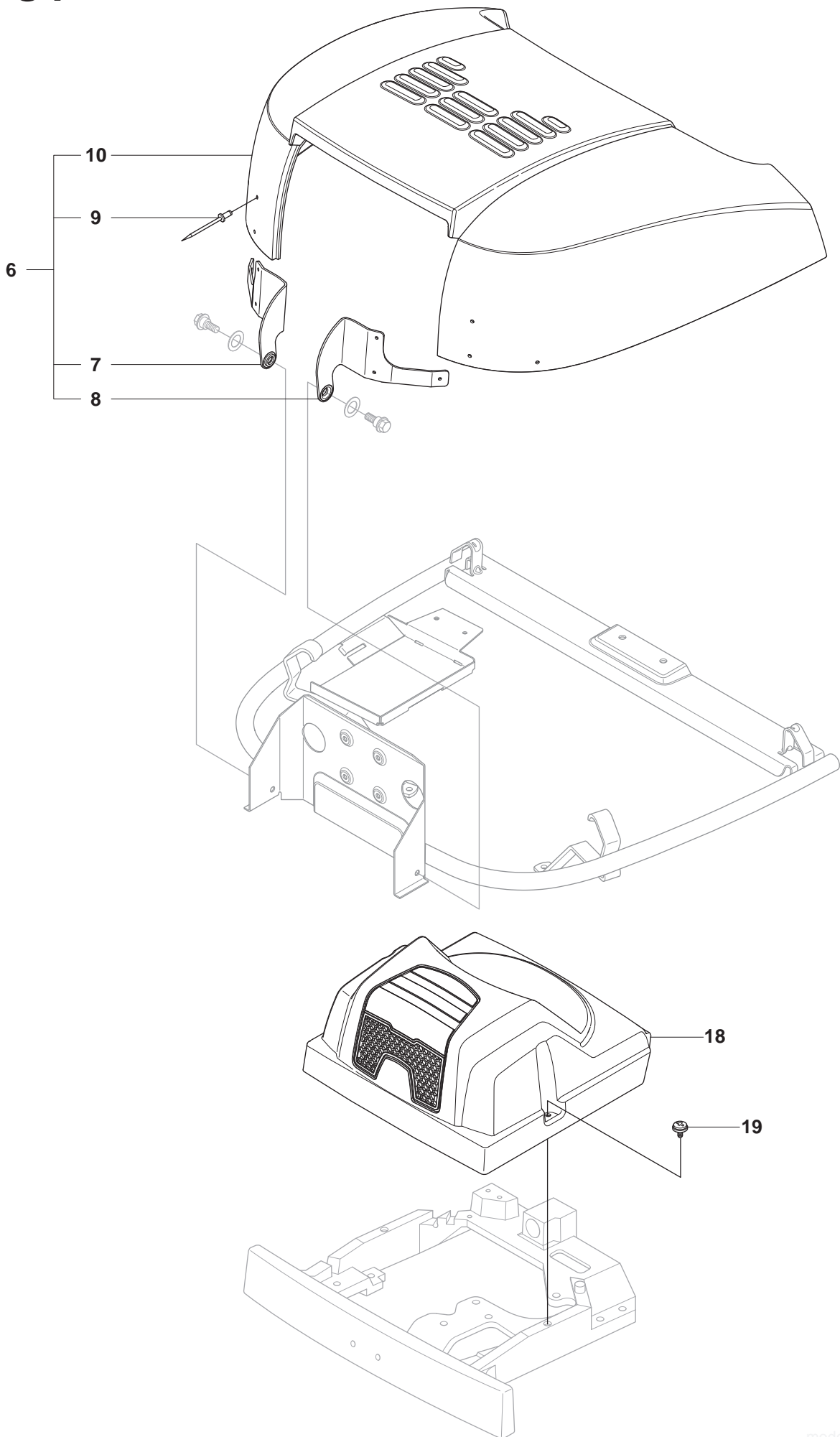
B 965 19 03-01 FR2213 MA
FUEL SYSTEM



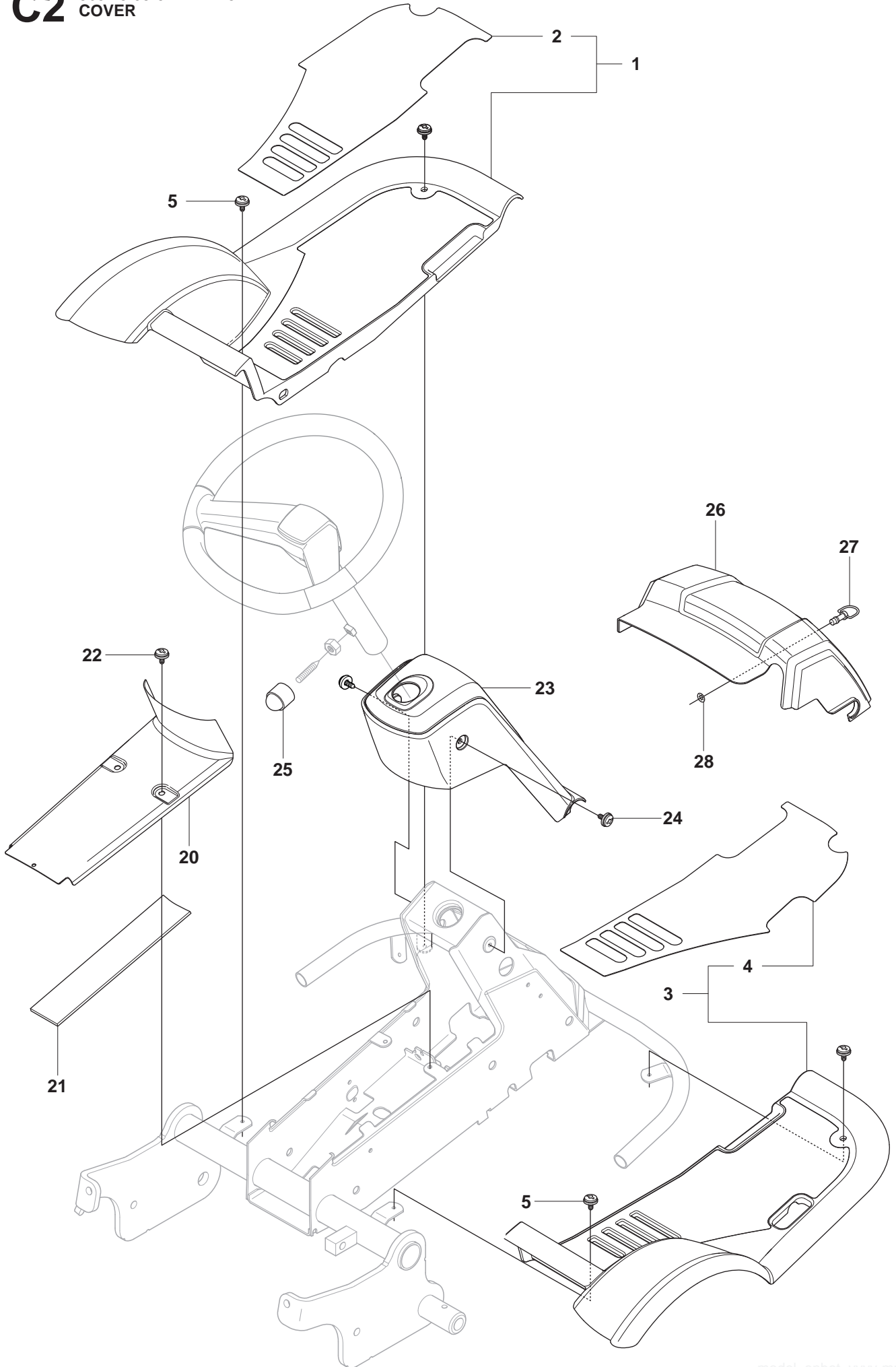
B965 19 03-01 FR2213 MA
FUEL SYSTEM

Pos.	Compl No.	Part No.	Description	Qty.	Notes
1		504 05 99-01		1	
2		544 32 93-01		1	
3		732 21 16-01		2	
4		734 11 56-01		1	
5		506 67 33-01		1	
6		506 94 67-07		1	
7		535 46 97-01		2	
8		725 23 64-61		1	
9		504 55 66-01		1	
10		725 24 93-71		2	

C1 965 19 03-01 FR2213 MA
COVER

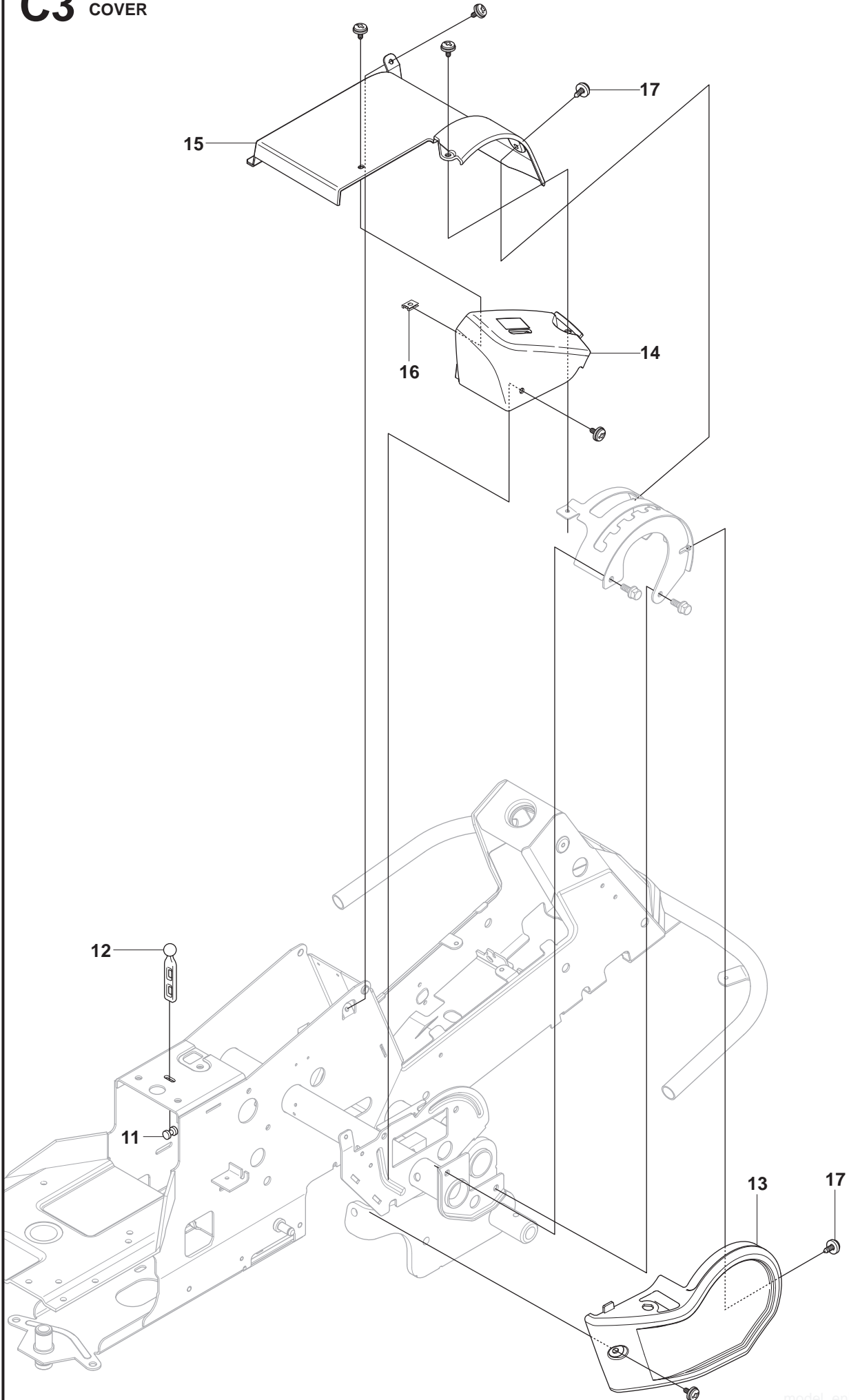


C2 965 19 03-01 FR2213 MA
COVER



C3

965 19 03-01 FR2213 MA
COVER

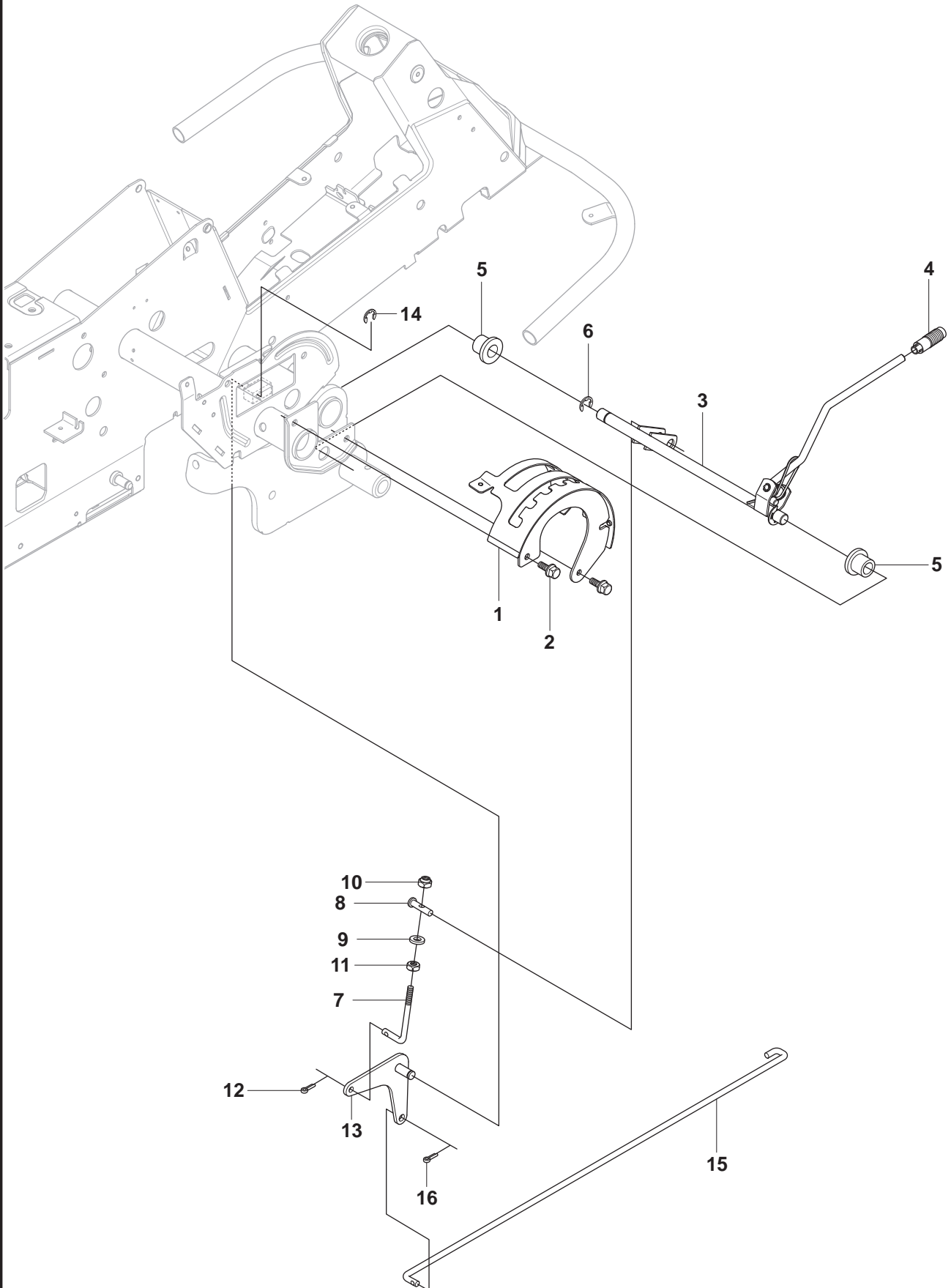




965 19 03-01 FR2213 MA
COVER

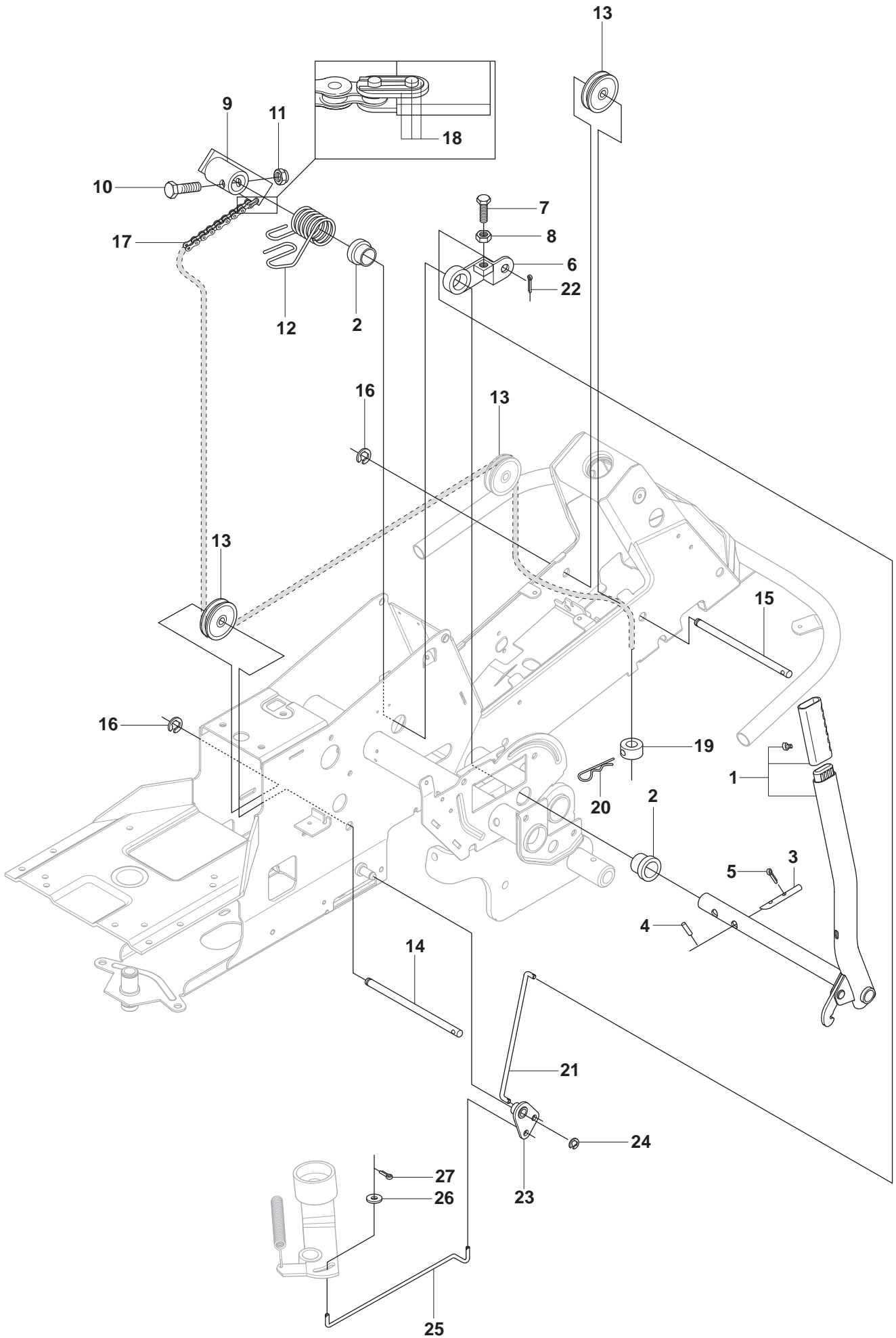
Pos.	Compl No.	Part No.	Description	Qty.	Notes
1		502 29 07-01		1	C2
2	502 29 07-01	504 06 02-01		1	C2
3		502 29 07-03		1	C2
4	502 29 07-03	504 06 02-03		1	C2
5		544 40 05-01		4	C2
6		535 41 90-02		1	C1
7	535 41 90-02	535 41 99-01		1	C1
8	535 41 90-02	535 41 99-02		1	C1
9	535 41 90-02	722 79 54-02		6	C1
10	535 41 90-02	535 41 79-02		1	C1
11		506 59 95-01		1	C1
12		506 59 96-01		1	C1
13		504 05 95-01		1	C3
14		504 05 97-02		1	C3
15		504 05 98-02		1	C3
16		535 42 91-01		1	C3
17		544 40 05-01		7	C3
18		544 37 39-02		1	C1
19		544 40 05-01		2	C1
20		544 23 92-02		1	C2
21		544 42 75-01		1	C2
22		544 40 05-01		2	C2
23		504 06 01-01		1	C2
24		544 40 05-01		2	C2
25		544 43 32-02		1	C2
26		544 37 42-02		1	C2
27		506 96 35-01		1	C2
28		506 96 36-01		1	C2

D 965 19 03-01 FR2213 MA
HEIGHT ADJUSTMENT



D**965 19 03-01 FR2213 MA
HEIGHT ADJUSTMENT**

Pos.	Compl No.	Part No.	Description	Qty.	Notes
1		535 50 14-02		1	
2		506 57 01-03		2	
3		504 73 45-01		1	
4		506 54 20-01		1	
5		506 55 43-01		2	
6		735 31 22-20		1	
7		506 90 82-01		1	
8		506 78 46-01		1	
9		734 11 72-01		1	
10		732 21 18-01		1	
11		731 23 18-01		1	
12		721 61 83-01		1	
13		544 22 77-01		1	
14		735 31 15-20		1	
15		544 22 70-01		1	
16		721 61 83-01		1	

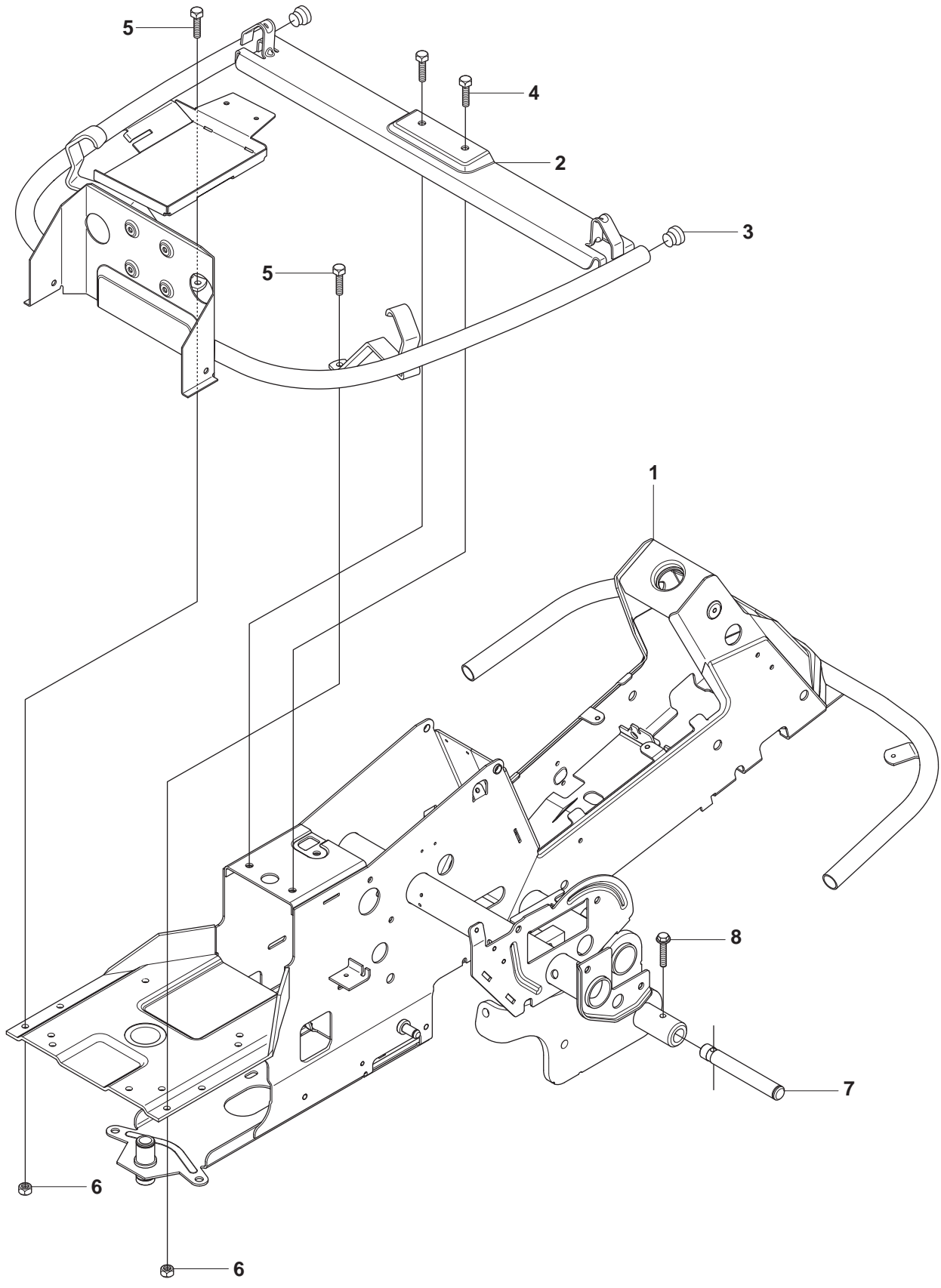
E965 19 03-01 FR2213 MA
MOWER LIFT



965 19 03-01 FR2213 MA
MOWER LIFT

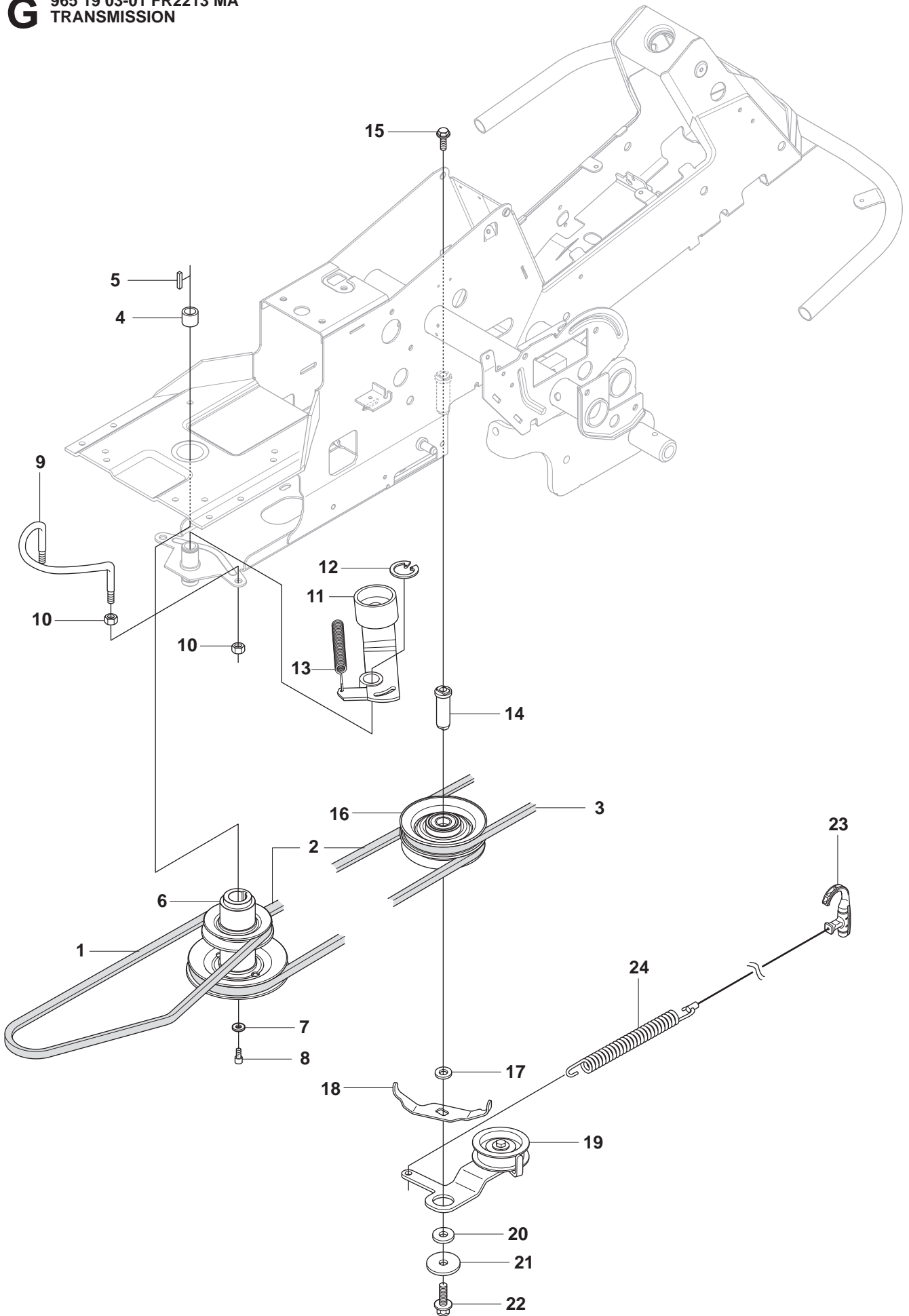
Pos.	Compl No.	Part No.	Description	Qty.	Notes
1		501 01 86-01		1	
2		506 55 65-01		2	
3		506 90 53-01		1	
4		721 12 59-30		1	
5		721 61 83-01		1	
6		506 78 43-01		1	
7		725 24 97-51		1	
8		731 23 20-51		1	
9		544 43 36-01		1	
10		725 25 42-51		1	
11		732 25 22-01		1	
12		506 91 68-01		1	
13		506 90 56-01		2	
14		506 90 57-01		1	
15		506 90 57-02		1	
16		735 31 18-20		2	
17		506 55 46-07		1	
18		506 55 47-01		1	
19		544 93 42-01		1	
20		506 96 66-01		1	
21		544 45 69-01		1	
22		721 61 83-01		1	
23		544 37 86-01		1	
24		735 31 14-20		1	
25		544 44 88-01		1	
26		734 11 64-41		1	
27		721 61 83-01		1	

F 965 19 03-01 FR2213 MA
CHASSIS



F965 19 03-01 FR2213 MA
CHASSIS

Pos.	Compl No.	Part No.	Description	Qty.	Notes
1		544 84 23-02		1	
2		502 24 78-01		1	
3		506 81 01-01		2	
4		506 57 01-03		2	
5		725 24 51-71		2	
6		732 21 18-01		2	
7		535 47 08-01		2	
8		725 24 59-61		2	



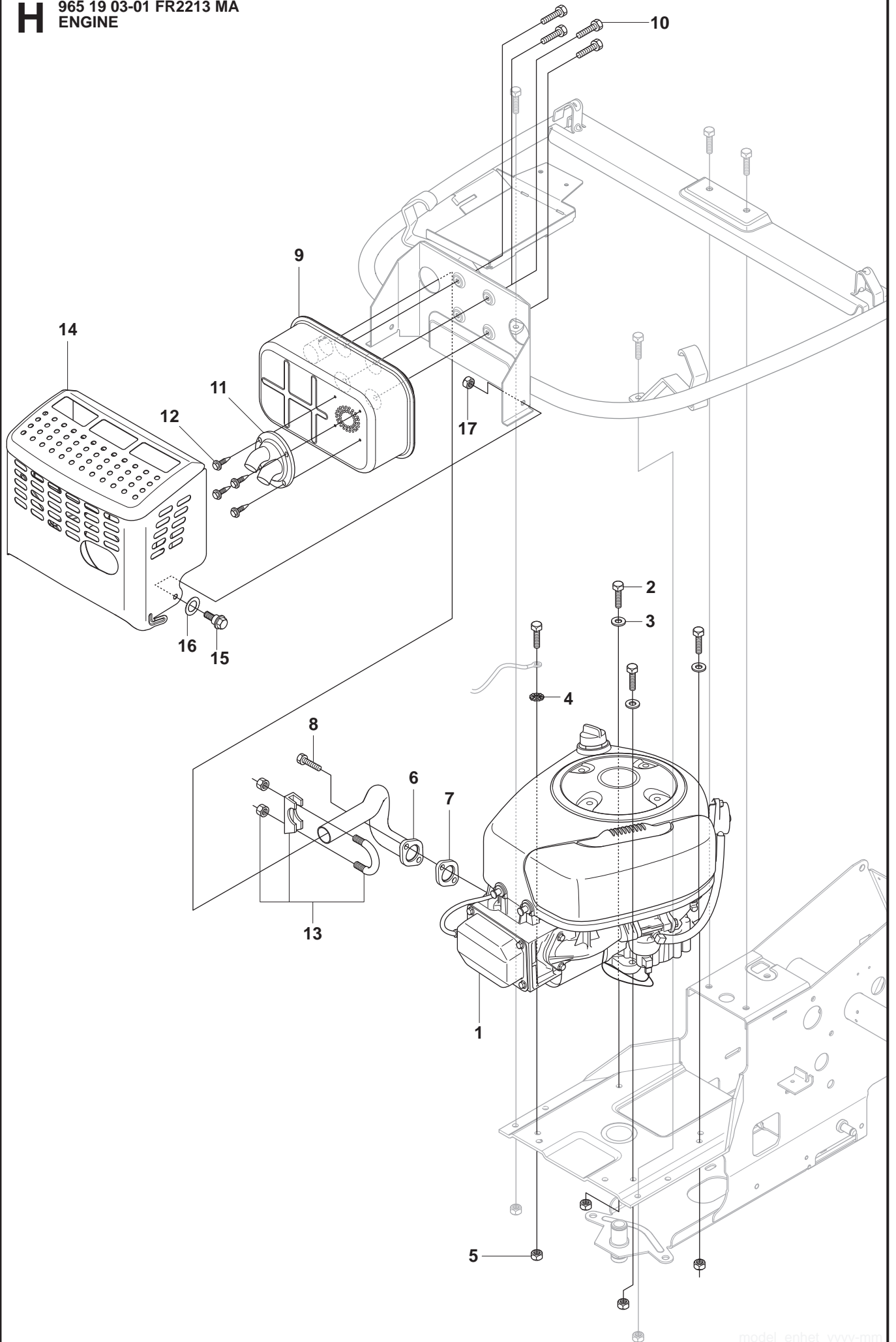


965 19 03-01 FR2213 MA
TRANSMISSION

Pos.	Compl No.	Part No.	Description	Qty.	Notes
1		506 98 83-01		1	
2		544 40 02-01		1	
3		544 23 89-01		1	
4		506 50 92-01		1	
5		506 55 59-01		1	
6		535 48 24-01		1	
7		506 59 75-01		1	
8		506 55 60-02		1	
9		506 66 45-01		1	
10		731 23 20-51		4	
11		535 48 44-01		1	
12		735 31 26-00		1	
13		506 66 56-01		1	
14		544 42 61-01		1	
15		506 67 54-02		1	
16		535 48 22-01		1	
17		506 77 57-01		1	
18		544 40 53-01		1	
19		544 22 81-01		1	
20		506 59 75-01		1	
21		506 98 25-01		1	
22		506 57 01-05		1	
23		544 23 95-01		1	
24		544 23 88-01		1	



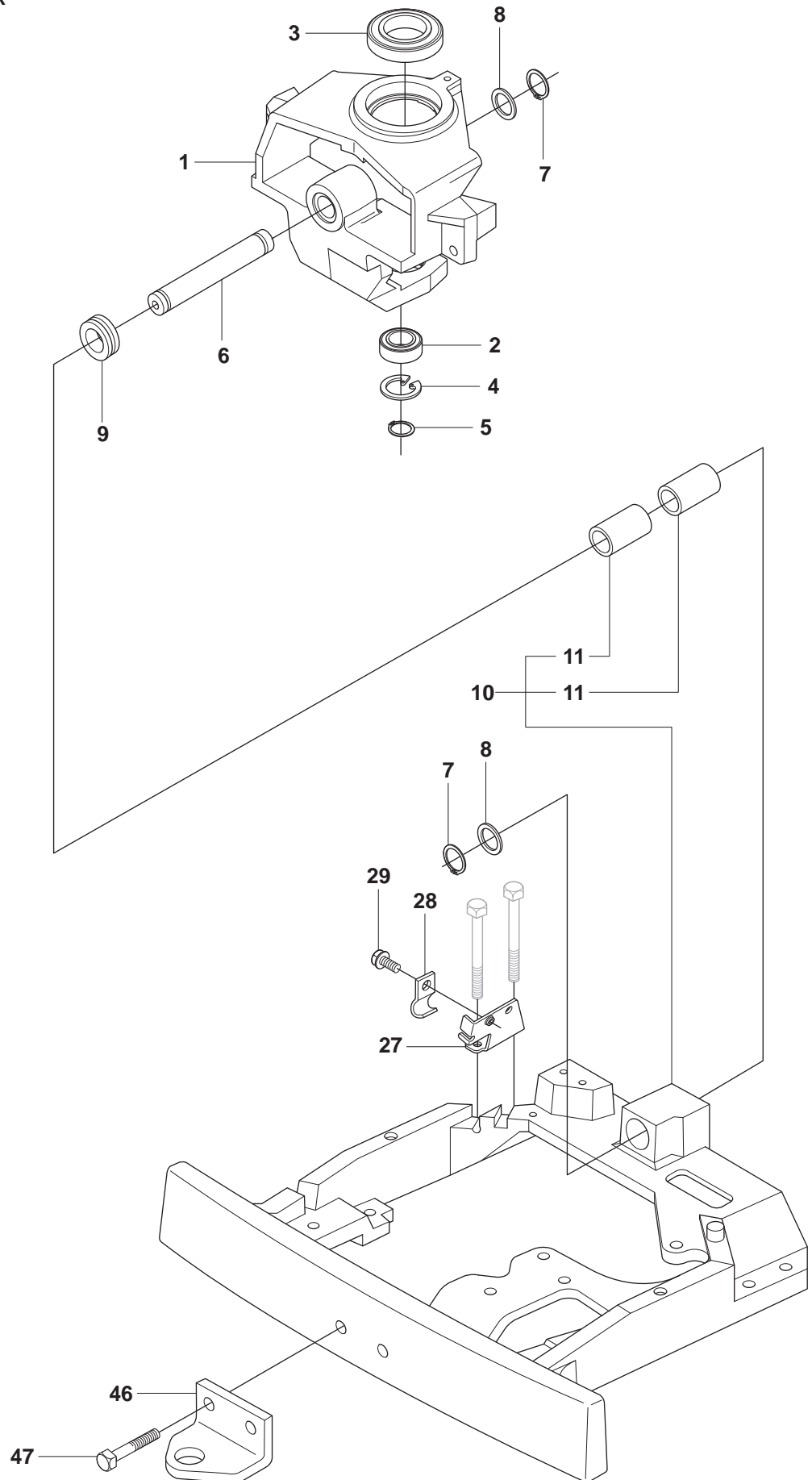
965 19 03-01 FR2213 MA
ENGINE

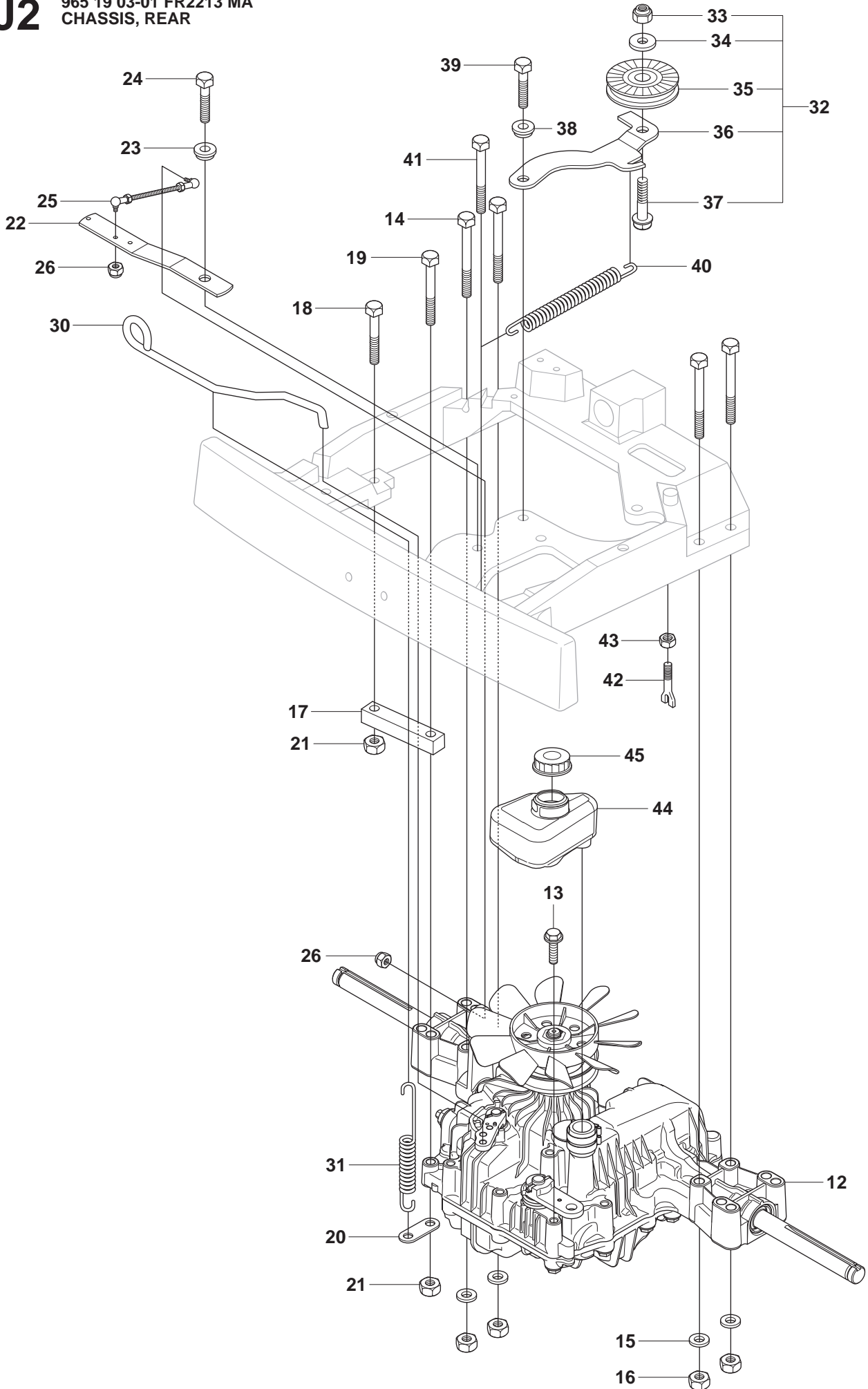




965 19 03-01 FR2213 MA
ENGINE

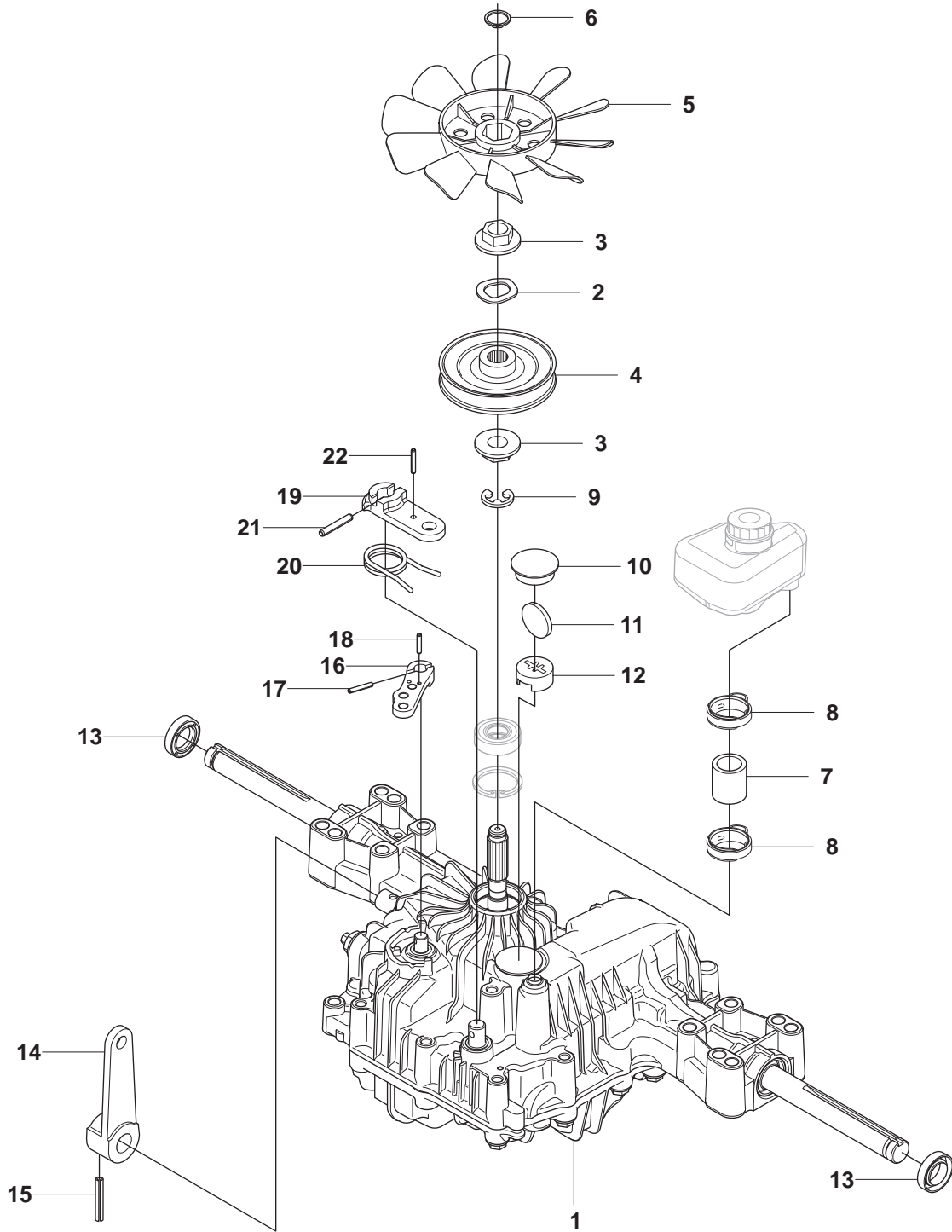
Pos.	Compl No.	Part No.	Description	Qty.	Notes
1		535 49 49-01		1	
2		725 24 57-51		4	
3		734 11 64-01		3	
4		735 21 64-00		1	
5		732 21 18-01		4	
6		535 48 52-01		1	
7		506 91 45-01		1	
8		506 55 63-01		2	
9		535 40 08-01		1	
10		725 23 68-61		4	
11		506 82 79-01		1	
12		506 79 45-01		4	
13		506 66 84-01		1	
14		535 41 62-01		1	
15		506 59 74-01		2	
16		506 83 94-01		2	
17		732 21 18-01		2	

J1965 19 03-01 FR2213 MA
CHASSIS, REAR

J2965 19 03-01 FR2213 MA
CHASSIS, REAR

J**965 19 03-01 FR2213 MA
CHASSIS, REAR**

Pos.	Compl No.	Part No.	Description	Qty.	Notes
1		506 98 58-04		1	J1
2		738 21 05-04		1	J1
3		738 21 10-04		1	J1
4		735 31 40-10		1	J1
5		735 31 26-00		1	J1
6		506 98 59-01		1	J1
7		735 31 26-00		2	J1
8		506 77 34-01		2	J1
9		740 68 14-21		1	J1
10		535 40 60-02		1	J1
11	535 40 60-02	506 98 61-02		2	J1
12		506 98 63-01		1	J2
13		506 55 83-02		1	J2
14		725 24 67-51		4	J2
15		734 11 64-01		4	J2
16		731 23 18-01		4	J2
17		506 98 72-01		1	J2
18		725 24 59-51		1	J2
19		725 24 62-51		1	J2
20		506 59 93-01		1	J2
21		731 23 18-01		2	J2
22		506 98 74-03		1	J2
23		506 91 87-02		1	J2
24		725 24 51-51		1	J2
25		506 98 75-01		1	J2
26		732 21 14-01		2	J2
27		506 98 77-01		1	J1
28		506 56 65-01		1	J1
29		725 23 64-61		1	J1
30		506 98 82-01		1	J2
31		506 83 43-01		1	J2
32		506 98 84-01		1	J2
33	506 98 84-01	506 98 85-01		1	J2
34	506 98 84-01	506 94 69-01		1	J2
35	506 98 84-01	725 24 55-51		1	J2
36	506 98 84-01	734 11 64-41		1	J2
37	506 98 84-01	732 21 18-01		1	J2
38		506 91 87-02		1	J2
39		725 24 51-51		1	J2
40		506 98 86-01		1	J2
41		725 24 64-51		1	J2
42		506 98 88-01		1	J2
43		731 23 20-51		1	J2
44		506 98 90-01		1	J2
45		506 98 80-01		1	J2
46		506 88 99-01		1	J1
47		725 24 93-71		2	J1



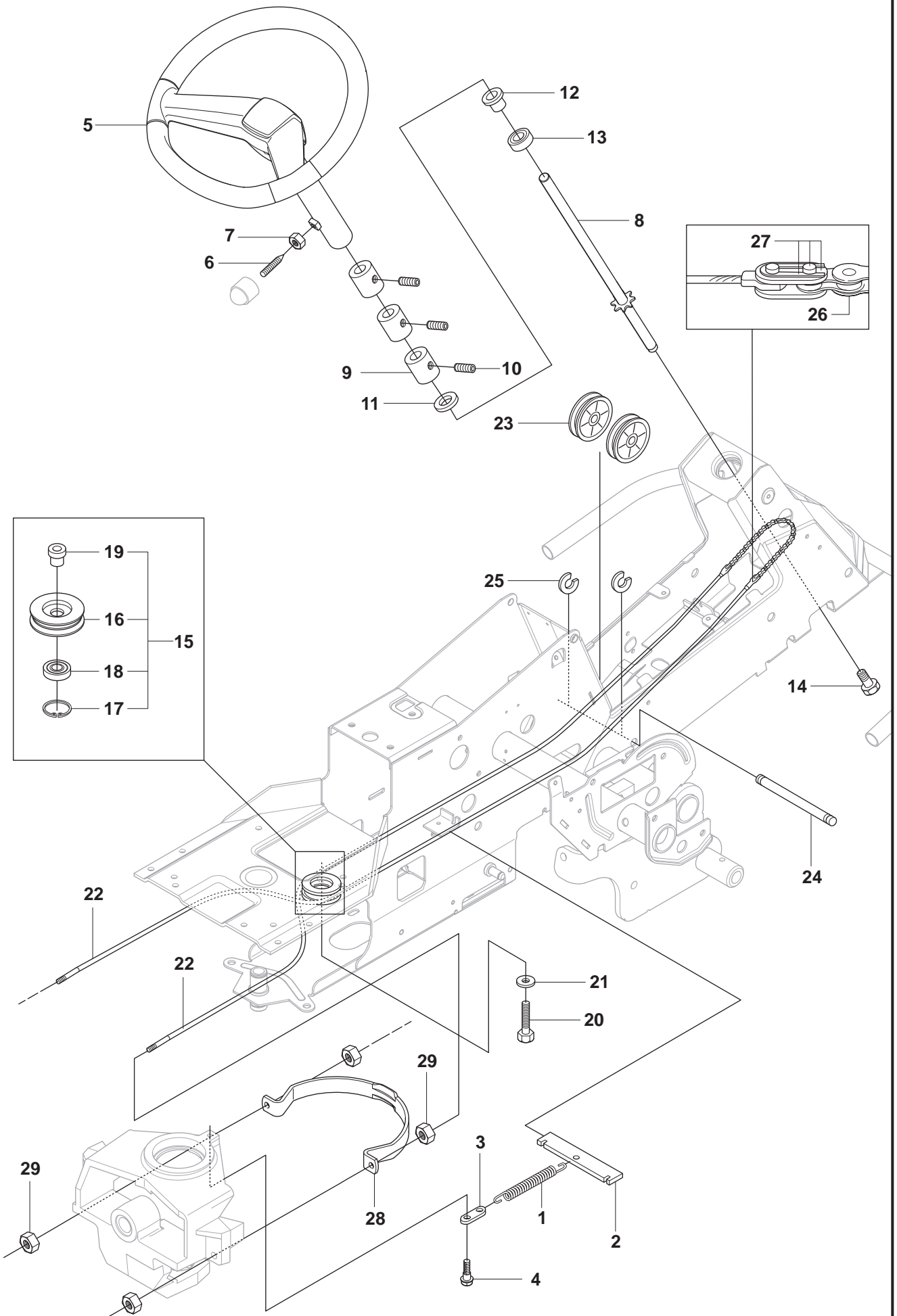


965 19 03-01 FR2213 MA
HYDROSTAT K46 EU

Pos.	Compl No.	Part No.	Description	Qty.	Notes
1		506 98 64-01		1	
2		506 98 65-01		1	
3		506 98 66-01		2	
4		506 98 67-01		1	
5		506 98 68-01		1	
6		735 31 15-00		1	
7		506 98 69-01		1	
8		506 98 70-01		2	
9	506 98 64-01	535 40 28-07		1	
10	506 98 64-01	535 40 28-32		1	
11	506 98 64-01	535 40 28-29		1	
12	506 98 64-01	502 45 20-01		1	
13	506 98 64-01	535 40 28-37		2	
14	506 98 64-01	502 45 32-01		1	
15	506 98 64-01	535 40 28-09		1	
16	506 98 64-01	535 40 28-17		1	
17	506 98 64-01	535 40 28-16		1	
18	506 98 64-01	535 40 28-33		1	
19	506 98 64-01	535 40 28-38		1	
20	506 98 64-01	535 40 28-39		1	
21	506 98 64-01	535 40 28-40		1	
22	506 98 64-01	535 40 28-41		1	



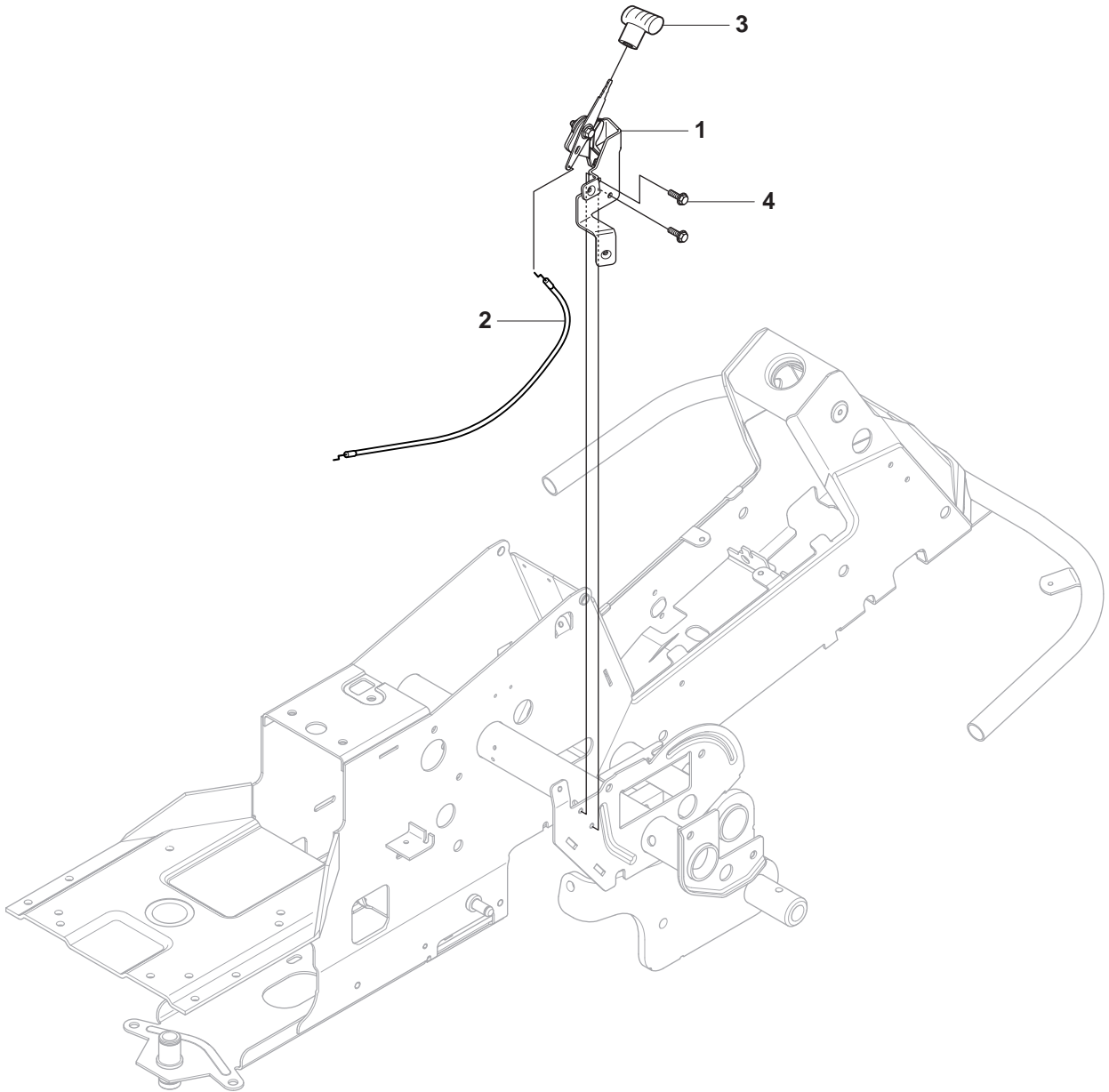
965 19 03-01 FR2213 MA
STEERING





965 19 03-01 FR2213 MA
STEERING

Pos.	Compl No.	Part No.	Description	Qty.	Notes
1		506 67 19-01		1	
2		506 57 63-01		1	
3		506 67 08-01		1	
4		506 59 74-01		1	
5		544 37 52-03		1	
6		728 74 55-05		1	
7		731 23 18-01		1	
8		535 49 95-01		1	
9		506 86 34-01		3	
10		728 84 43-05		3	
11		506 86 36-01		1	
12		506 88 78-01		1	
13		738 21 04-04		1	
14		506 57 01-04		1	
15		506 50 09-03		1	
16	506 50 09-03	535 42 41-01		1	
17	506 50 09-03	735 31 40-10		1	
18	506 50 09-03	738 22 04-19		1	
19	506 50 09-03	506 50 08-02		1	
20		506 67 54-02		1	
21		734 11 74-41		1	
22		506 58 91-04		2	
23		506 52 24-01		2	
24		506 53 94-02		1	
25		735 31 14-20		2	
26		506 55 46-01		1	
27		506 55 47-01		2	
28		544 42 73-01		1	
29		731 23 20-51		4	

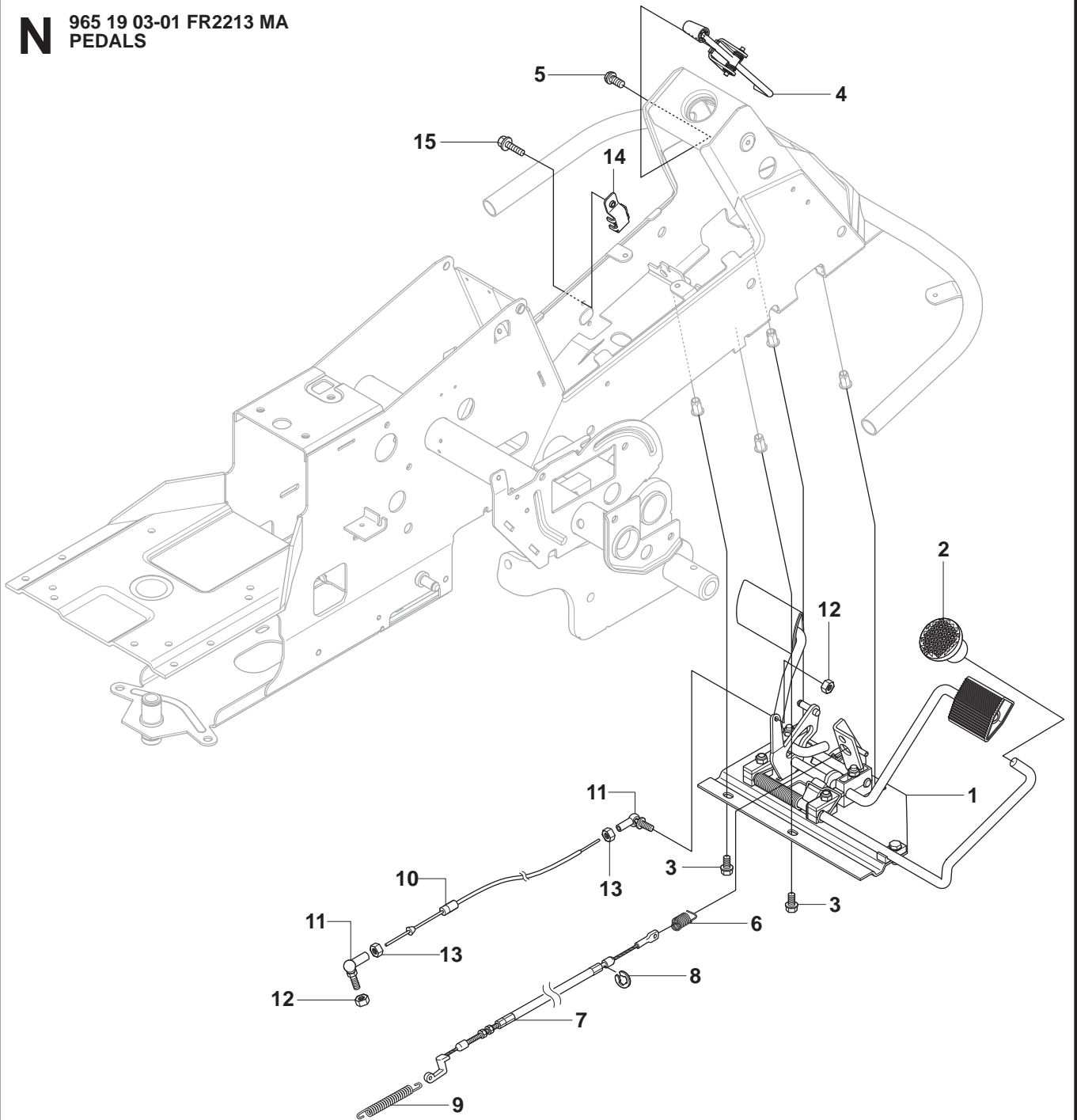




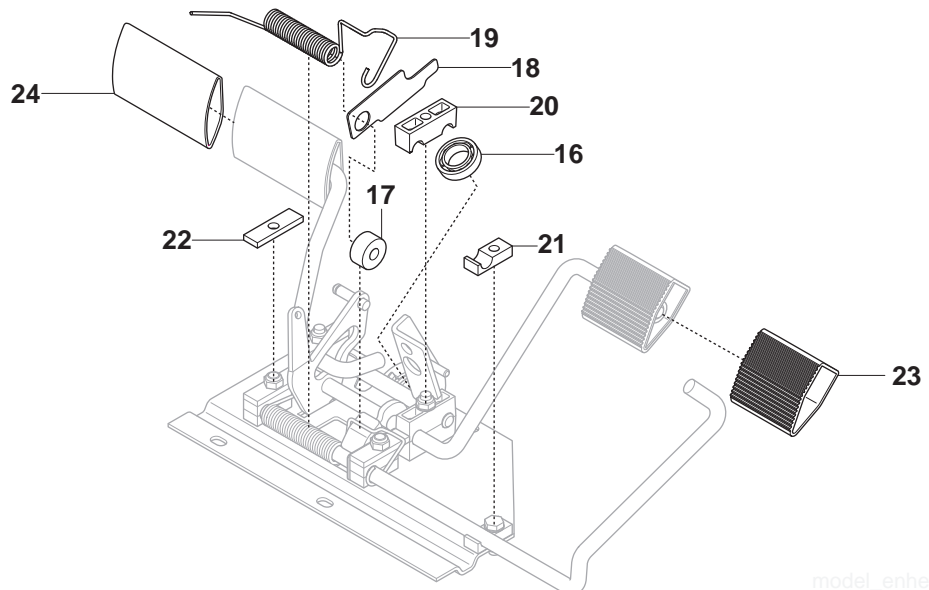
965 19 03-01 FR2213 MA
CONTROLS

Pos.	Compl No.	Part No.	Description	Qty.	Notes
1		502 29 56-01		1	
2		544 30 17-01		1	
3		506 88 91-01		1	
4		725 23 64-61		2	

N 965 19 03-01 FR2213 MA
PEDALS



PEDALS

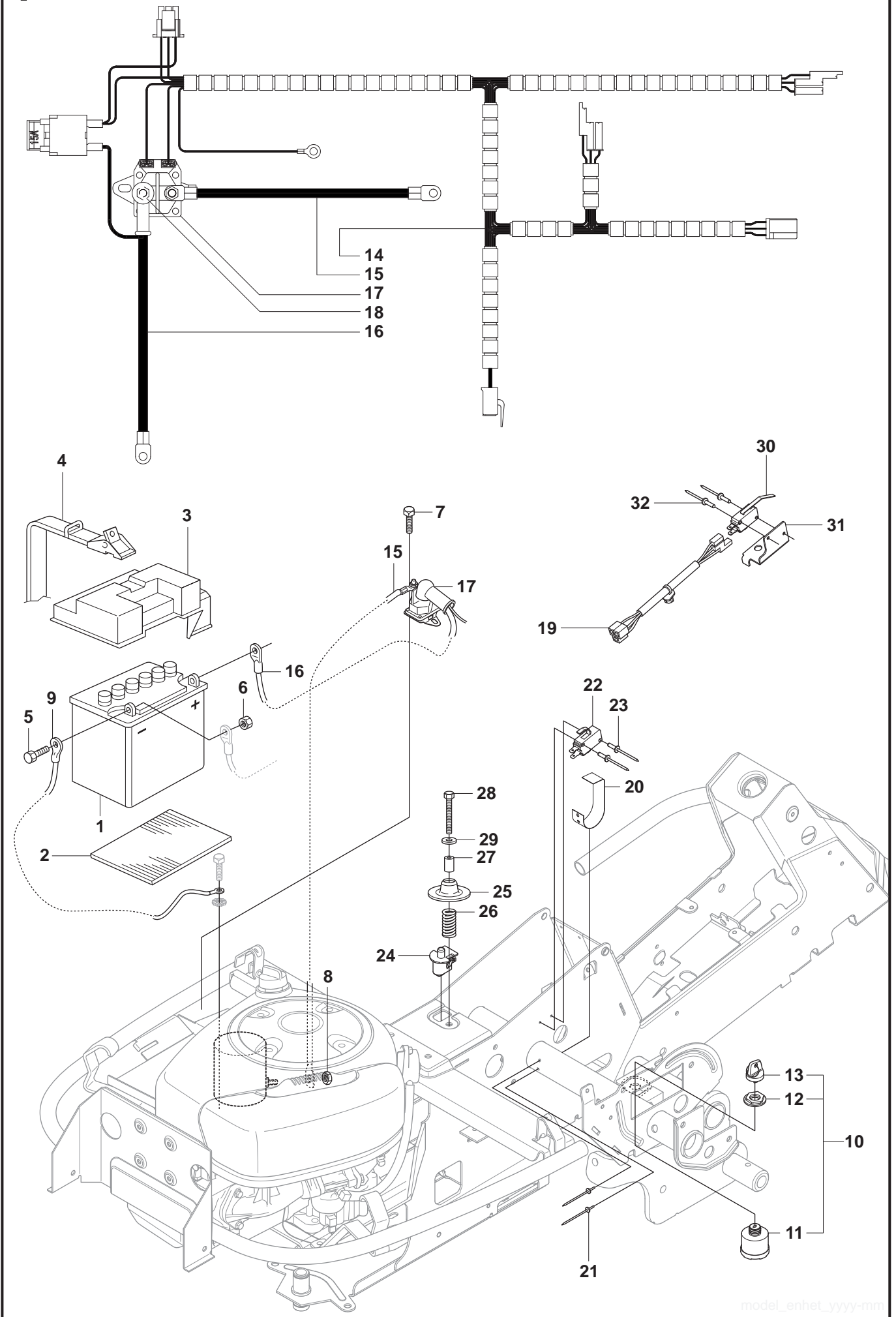




965 19 03-01 FR2213 MA
PEDALS

Pos.	Compl No.	Part No.	Description	Qty.	Notes
1		544 12 60-01		1	
2		535 47 37-01		1	
3		506 57 01-04		4	
4		544 40 31-01		1	
5		725 23 64-61		2	
6		506 94 63-01		1	
7		506 99 27-01		1	
8		735 31 09-20		1	
9		506 53 56-03		1	
10		506 82 72-02		1	
11		506 55 73-01		2	
12		732 21 14-01		2	
13		731 23 14-01		2	
14		544 34 17-01		1	
15		725 23 64-61		1	
16	544 12 60-01	738 21 02-04		1	
17	544 12 60-01	535 48 02-01		1	
18	544 12 60-01	535 48 06-01		1	
19	544 12 60-01	535 48 07-01		1	
20	544 12 60-01	535 48 08-01		4	
21	544 12 60-01	535 48 09-01		1	
22	544 12 60-01	535 48 10-01		1	
23	544 12 60-01	535 47 88-01		1	
24	544 12 60-01	535 47 88-02		1	

P 965 19 03-01 FR2213 MA
ELECTRICAL

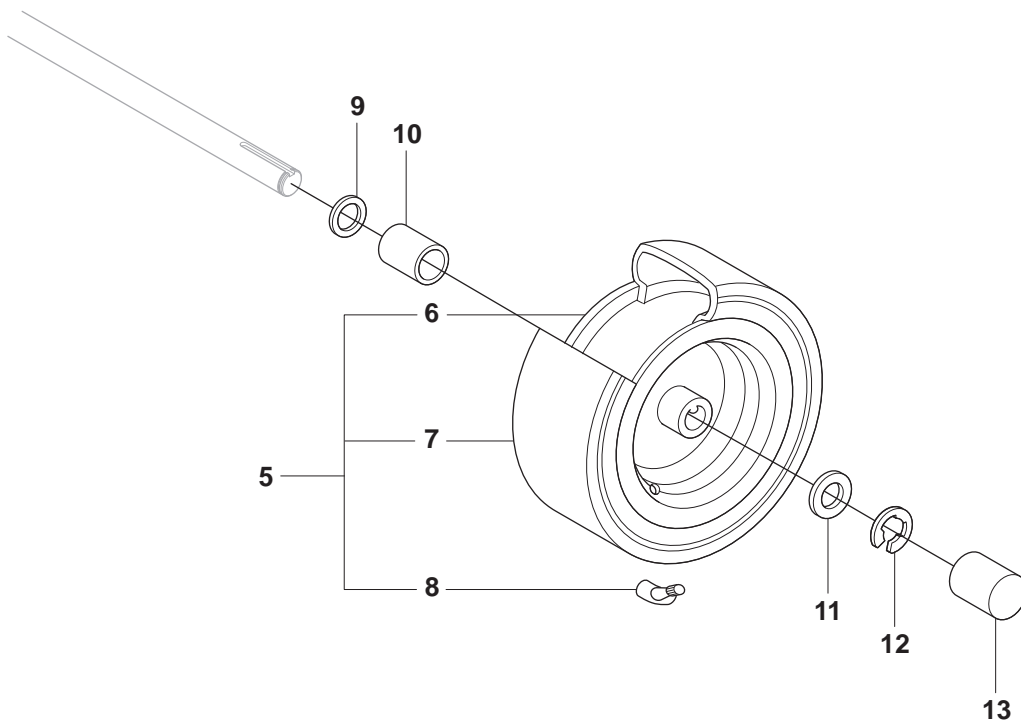
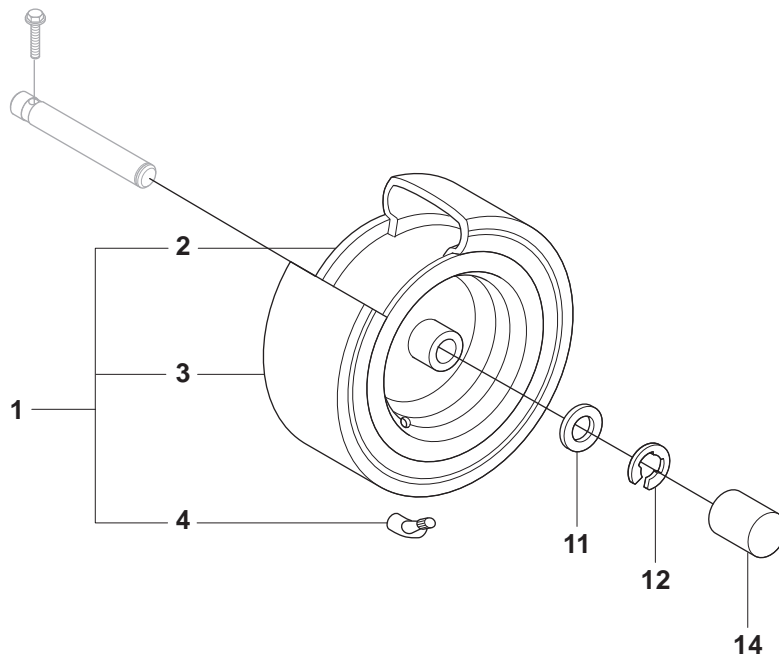
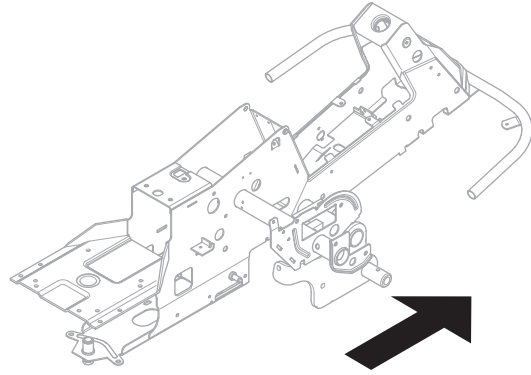




965 19 03-01 FR2213 MA
ELECTRICAL

Pos.	Compl No.	Part No.	Description	Qty.	Notes
1		506 78 88-01		1	
2		535 44 11-01		1	
3		506 80 99-01		1	
4		506 83 68-02		1	
5		725 23 70-71		1	
6		731 23 16-01		1	
7		725 23 64-61		1	
8		506 89 98-01		1	
9		544 96 76-01		1	
10		544 44 21-01		1	
11	544 44 21-01	544 44 22-01		1	
12	544 44 21-01	544 44 23-01		1	
13	544 44 21-01	544 44 24-01		1	
14		544 92 63-01		1	
15		544 92 86-01		1	
16		544 92 61-01		1	
17		544 43 98-01		1	
18		506 89 98-01		2	
19		544 89 22-01		1	
20		506 90 93-01		1	
21		722 78 39-02		2	
22		535 46 91-01		1	
23		544 44 07-01		2	
24		506 90 96-01		1	
25		506 90 97-01		1	
26		544 44 12-01		1	
27		506 90 99-02		1	
28		725 24 60-51		1	
29		734 11 64-01		1	
30		544 41 55-01		1	
31		544 41 57-01		1	
32		544 44 07-01		2	

Q 965 19 03-01 FR2213 MA
WHEELS & TIRES

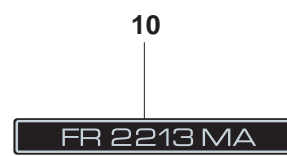
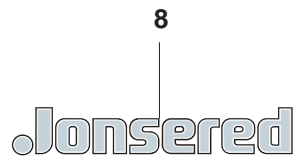
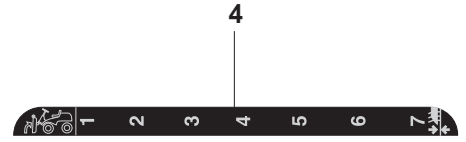
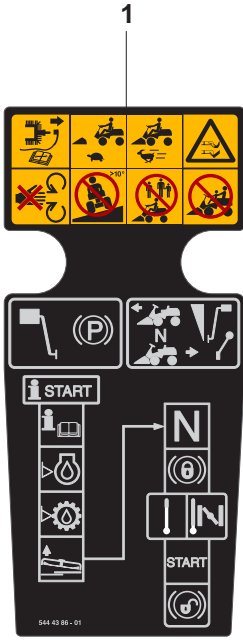




965 19 03-01 FR2213 MA
WHEELS & TIRES

Pos.	Compl No.	Part No.	Description	Qty.	Notes
1		544 12 62-02		2	
2	544 12 62-02	544 11 43-01		1	
3	544 12 62-02	506 98 02-01		1	
4	544 12 62-02	506 57 43-01		1	
5		544 12 63-02		2	
6	544 12 63-02	544 11 42-01		1	
7	544 12 63-02	506 98 02-01		1	
8	544 12 63-02	506 57 43-01		1	
9		506 50 48-03		2	
10		506 59 62-03		2	
11		506 50 48-05		4	
12		506 89 90-01		4	
13		506 92 30-01		2	
14		506 95 58-01		2	

R 965 19 03-01 FR2213 MA
DECALS

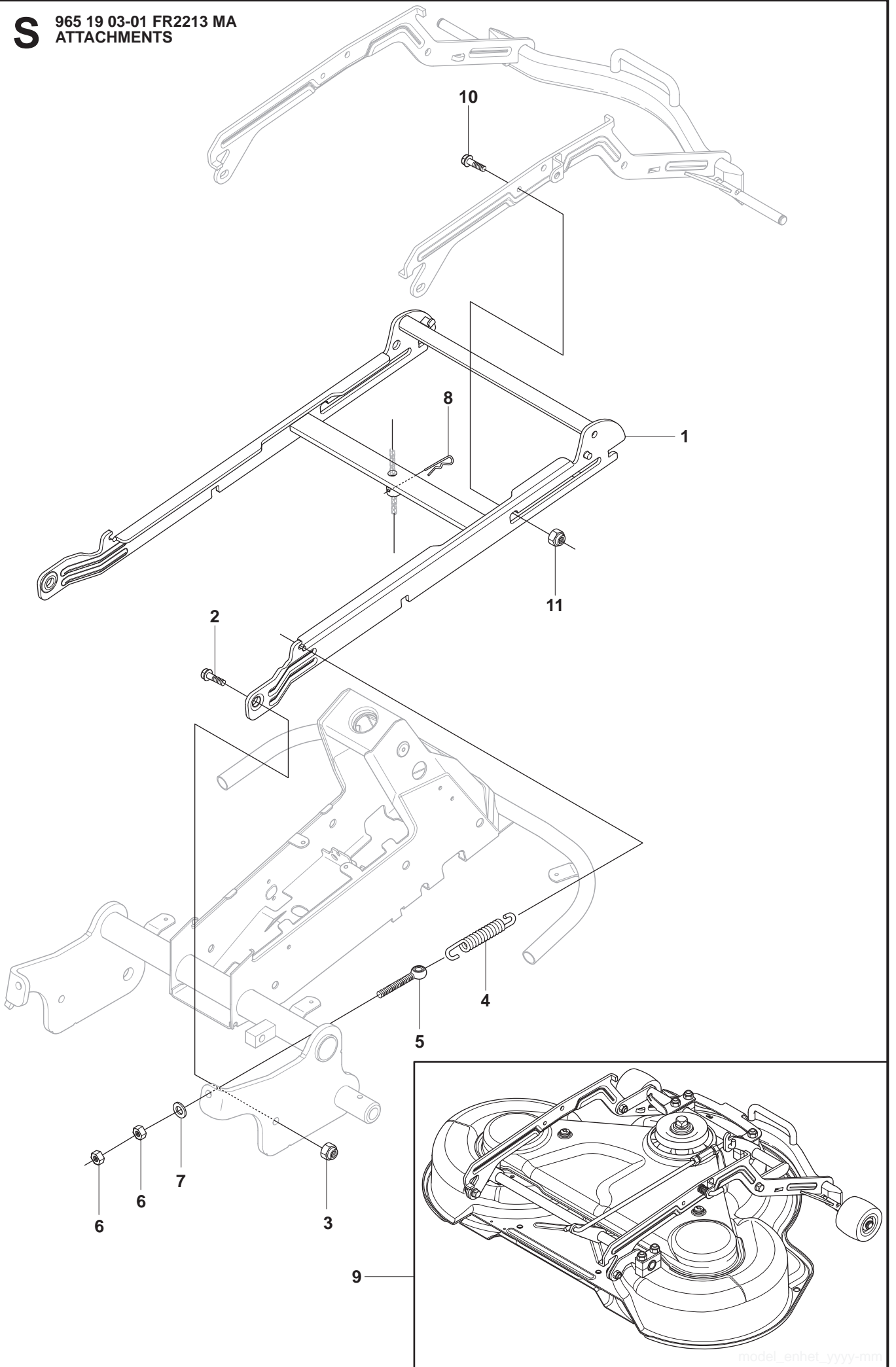


R965 19 03-01 FR2213 MA
DECALS

Pos.	Compl No.	Part No.	Description	Qty.	Notes
1		544 43 86-01		1	
2		502 29 14-01		1	
3		544 43 88-02		1	
4		544 43 90-03		1	
5		544 43 92-02		1	
6		506 58 45-01		1	
7		535 43 20-01		1	
8		535 43 47-01		3	
9		506 94 47-01		1	
10		502 29 21-03		1	



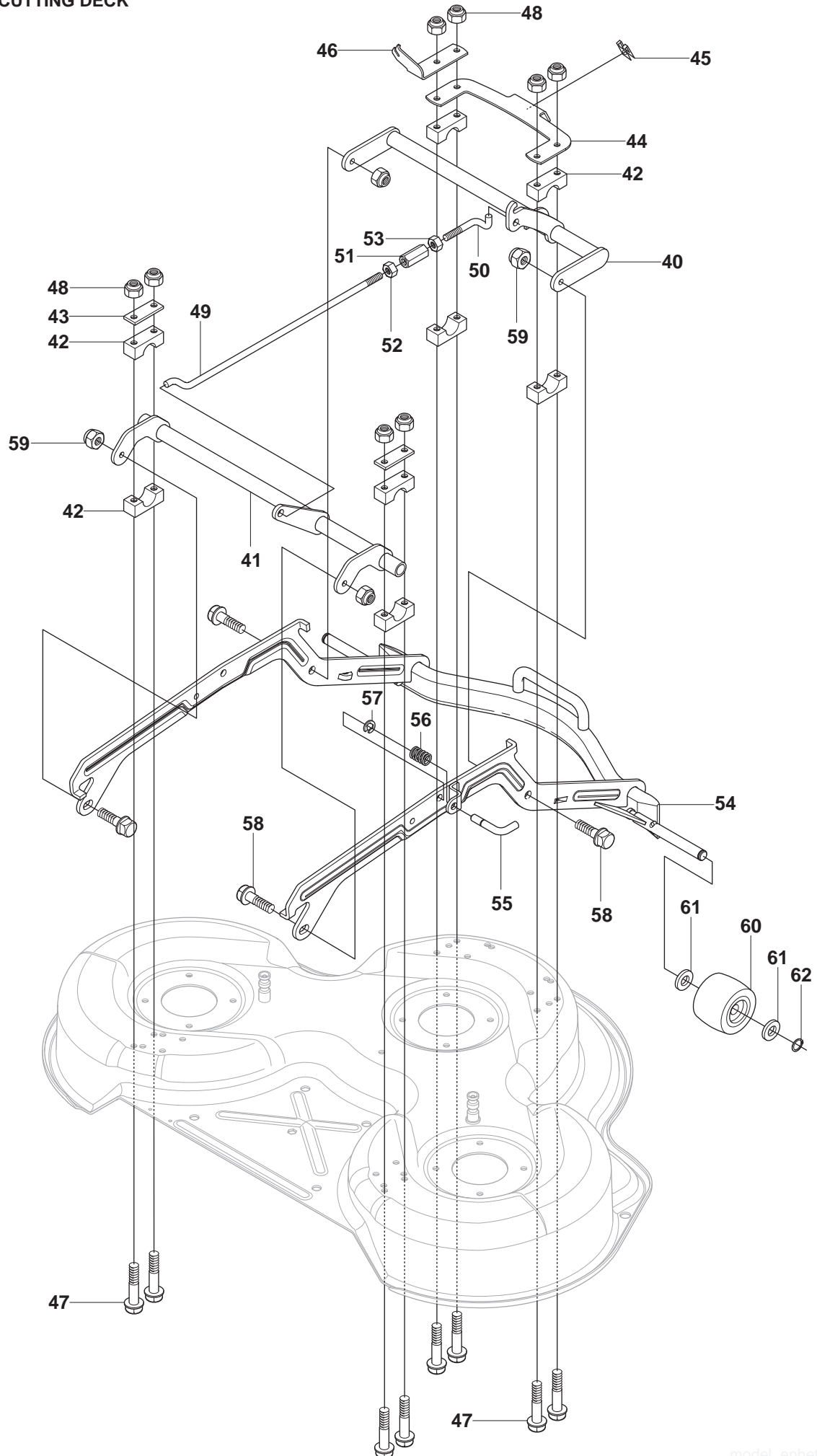
965 19 03-01 FR2213 MA
ATTACHMENTS





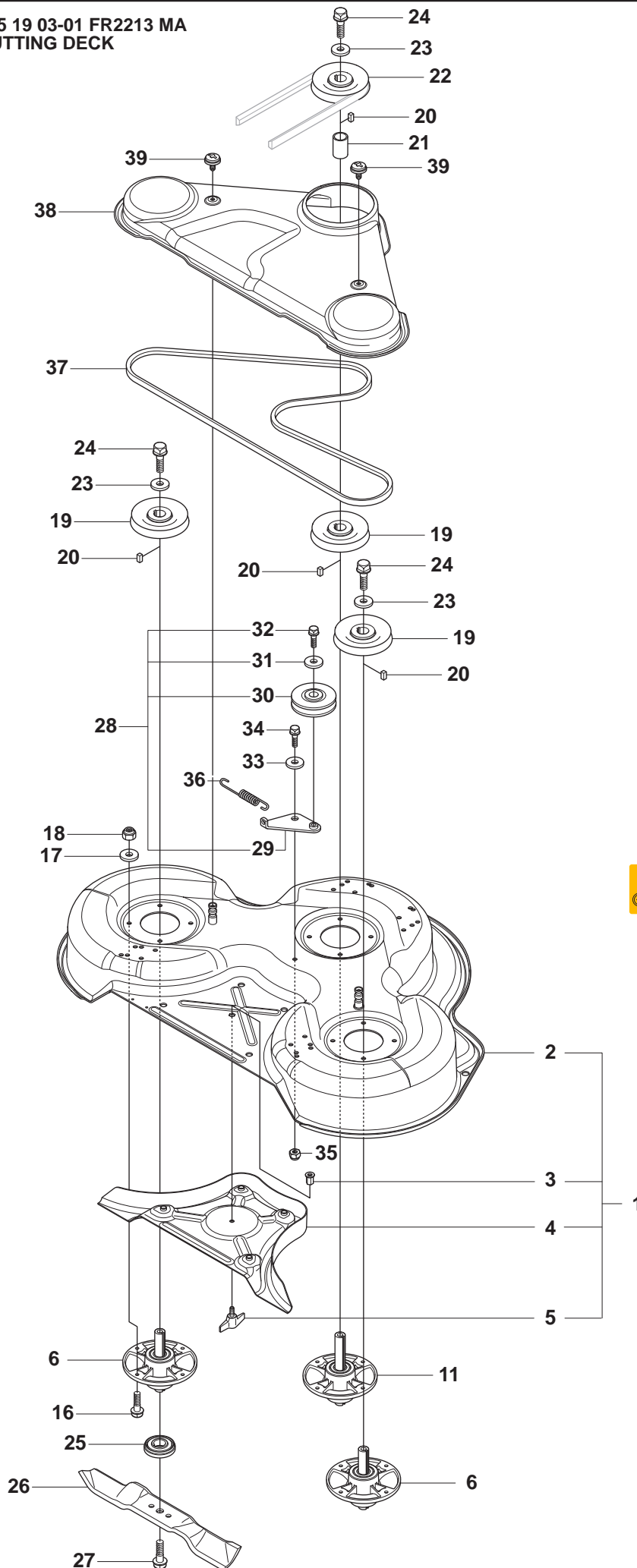
965 19 03-01 FR2213 MA
ATTACHMENTS

Pos.	Compl No.	Part No.	Description	Qty.	Notes
1		544 21 27-02		1	
2		506 89 58-01		2	
3		732 25 22-01		2	
4		506 83 76-01		2	
5		506 83 77-01		2	
6		731 23 20-51		4	
7		734 11 72-01		2	
8		506 96 66-01		1	
9		544 43 79-02		1	
10		544 36 24-01		2	
11		732 21 18-01		2	

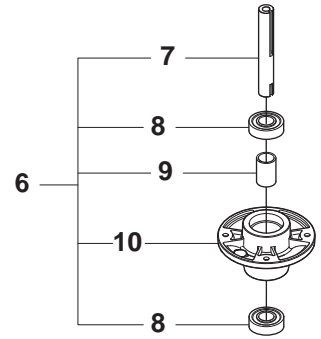
T1965 19 03-01 FR2213 MA
CUTTING DECK

T2

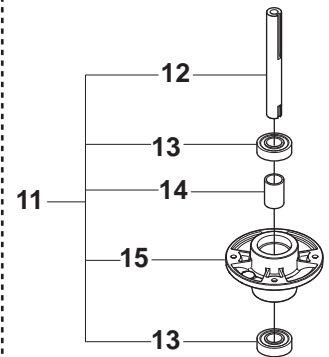
965 19 03-01 FR2213 MA
CUTTING DECK



Yttre.
Outer.
Exterieur.
Äusser.
Ulko.



Mitten.
Centre.
Centre.
Zentrum.
Keski.



63



965 19 03-01 FR2213 MA
CUTTING DECK, Rv.I

Pos.	Compl No.	Part No.	Description	Qty.	Notes
1		544 06 57-02		1	T2
2	544 06 57-02	544 06 55-03		1	T2
3	544 06 57-02	506 91 62-01		1	T2
4	544 06 57-02	544 06 58-01		1	T2
5	544 06 57-02	544 06 61-01		1	T2
6		544 06 59-01		2	T2
7	544 06 59-01	544 06 79-02		1	T2
8	544 06 59-01	738 23 04-34		2	T2
9	544 06 59-01	544 06 80-01		1	T2
10	544 06 59-01	544 06 78-01		1	T2
11		544 06 59-03		1	T2
12	544 06 59-03	544 06 79-01		1	T2
13	544 06 59-03	738 23 04-34		2	T2
14	544 06 59-03	544 06 80-01		1	T2
15	544 06 59-03	544 06 78-01		1	T2
16		535 42 38-01		12	T2
17		734 11 64-01		12	T2
18		732 21 18-01		12	T2
19		506 92 21-01		3	T2
20		506 53 35-01		4	T2
21		544 06 80-03		1	T2
22		506 77 86-01		1	T2
23		734 11 74-41		3	T2
24		506 67 54-02		3	T2
25		544 06 49-01		3	T2
26		544 06 77-01		3	T2
27		506 67 54-02		3	T2
28		506 79 73-01		1	T2
29	506 79 73-01	506 79 71-01		1	T2
30	506 79 73-01	506 79 32-01		1	T2
31	506 79 73-01	734 11 64-41		1	T2
32	506 79 73-01	506 55 83-02		1	T2
33		506 91 87-02		1	T2
34		725 24 51-71		1	T2
35		732 21 18-01		1	T2
36		506 53 31-01		1	T2
37		544 06 81-01		1	T2
38		544 06 63-02		1	T2
39		544 40 05-01		2	T2
40		544 22 07-02		1	T1
41		544 22 59-02		1	T1
42		506 86 96-01		8	T1
43		506 81 38-01		2	T1
44		544 37 91-01		1	T1
45		506 96 37-01		1	T1
46		544 22 83-01		1	T1
47		725 24 61-51		8	T1
48		732 21 18-01		8	T1
49		544 22 69-01		1	T1
50		544 45 14-01		1	T1
51		544 45 15-01		1	T1
52		506 89 76-01		1	T1
53		731 23 20-51		1	T1
54		544 21 33-02		1	T1
55		544 21 39-01		1	T1
56		544 21 41-01		1	T1
57		735 31 13-20		1	T1
58		506 59 74-01		4	T1
59		732 21 18-01		4	T1
60		506 96 30-01		2	T1
61		535 46 41-01		4	T1
62		735 31 17-00		2	T1
63		506 78 97-01		1	T2