

# LT2217 A

Spare parts

Ersatzteile

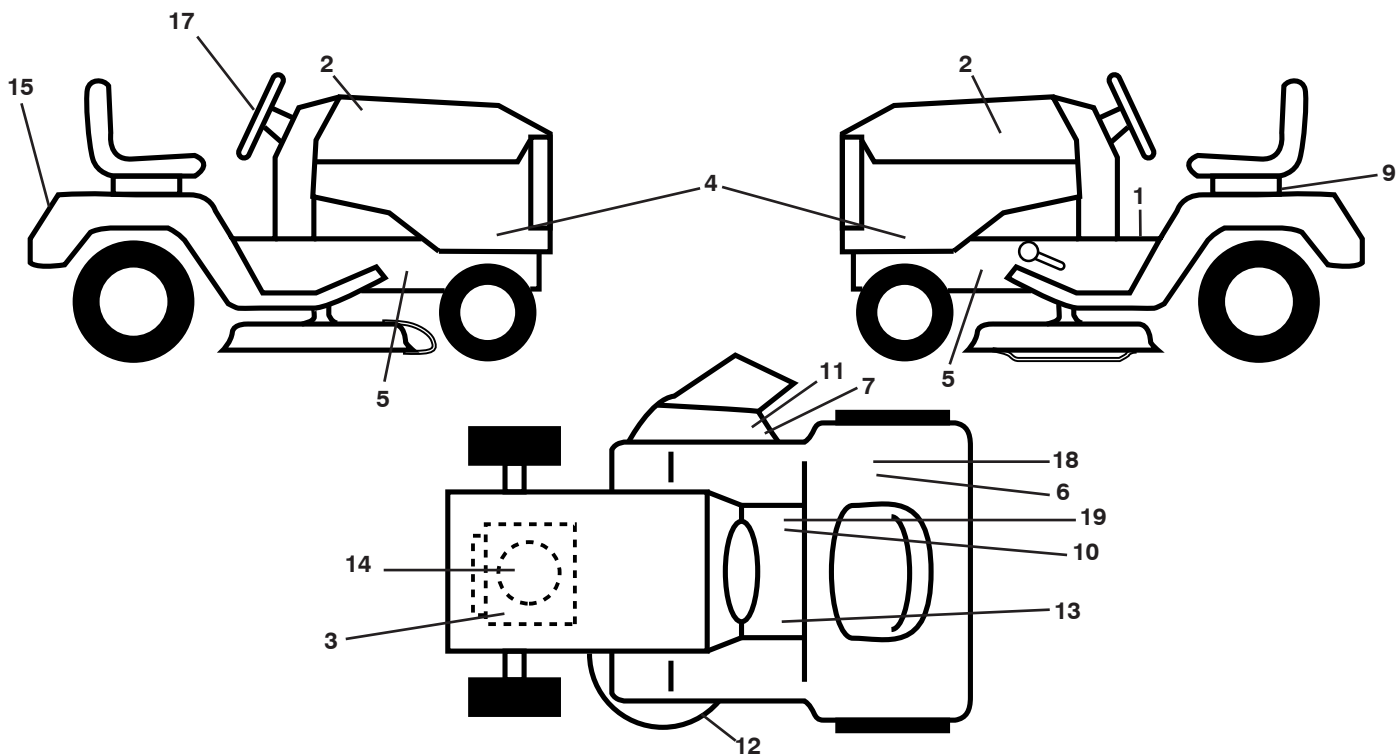
Pièces détachées

Reserve onderdelen

Repuestos

Reservdelar

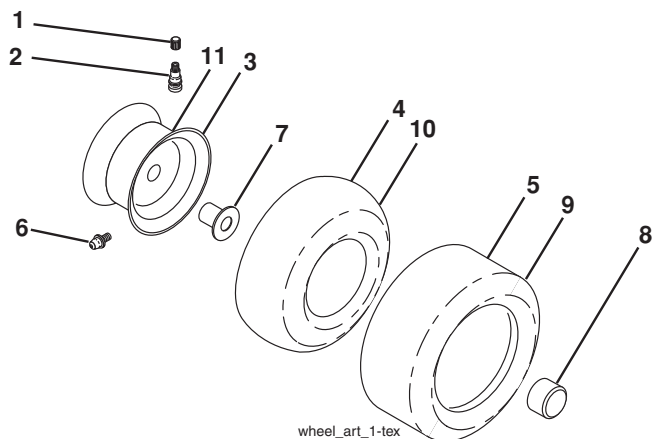
**TRACTOR - - MODEL NO. LT2217A (96041005700), PRODUCT NO. 960 41 00-57  
DECALS**



KEY NO.	PART NO.	DESCRIPTION
1	532 40 03-89	Decal, Operators
2	532 18 95-53	Decal, Hood
3	532 19 68-41	Decal, Warning Eng. Symbols
4	532 40 86-53	Decal, Hood Panel
5	532 15 97-36	Decal, Chassis Hot Muffler
6	532 12 44-33	Decal, Fender DBA
7	532 19 63-57	Decal, Warning
9	532 14 50-05	Decal, Battery Dnge/Poi
10	532 14 08-37	Decal, Saddle Brake Parking
11	532 18 21-66	Decal, Cutfinger CE
12	532 19 43-02	Decal, Mower V-Belt Schematic

KEY NO.	PART NO.	DESCRIPTION
13	532 15 97-37	Decal, Brake/Clutch Symbol
14	532 40 91-51	Decal, Eng. HP
15	532 18 39-30	Decal, Cover/Belt Guard
17	532 18 57-73	Decal, Steering Wheel
18	532 16 88-69	Decal, Tick Mark
19	532 17 83-02	Decal, Operator's Sym
--	532 16 25-98	Decal, Drawbar Load Limit
--	532 16 69-60	Decal Bypass
--	532 40 95-05	Pad, Footrest, LH
--	532 40 95-07	Pad, Foot Pedal
--	532 41 18-20	Manual Oper. English

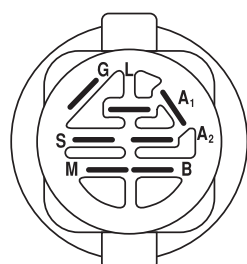
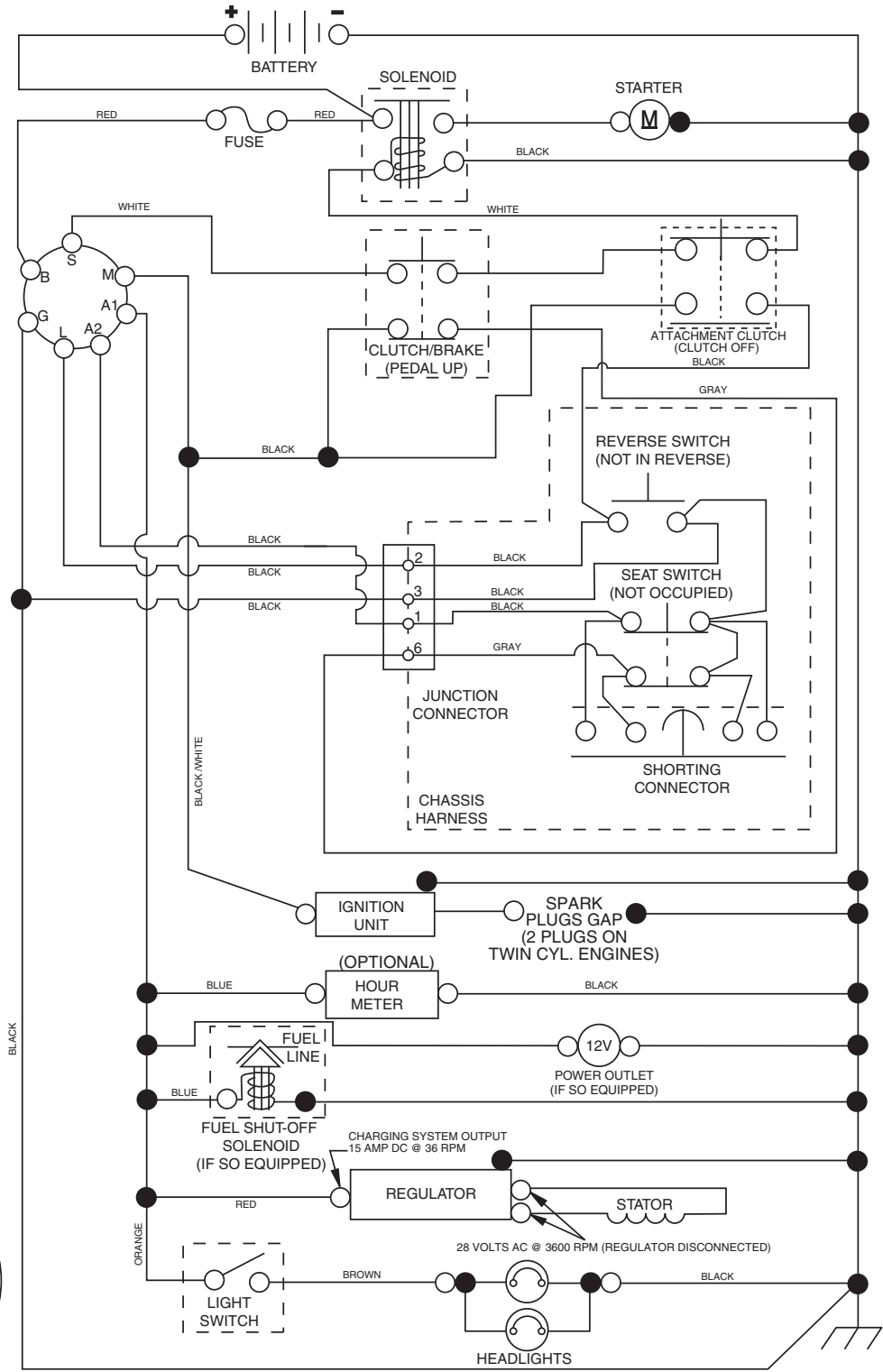
**WHEELS AND TIRES**



KEY NO.	PART NO.	DESCRIPTION
1	532 05 91-92	Cap Valve Tire
2	532 06 51-39	Stem Valve
3	532 13 83-36	Rim Asm 6" Front Service
4	532 05 99-04	Tube Front (Service Item Only)
5	532 10 62-22	Tire F T 15 x 6 0 - 6 Service
6	532 12 49-57	Fitting Grease (Front Wheel Only)
7	532 12 49-59	Bearing Flange (Front Wheel Only)
8	532 17 50-39	Cap Axle Blk 1 50 x 1 00
9	532 10 62-68	Tire R T 18 x 9.5-8 Service
10	532 12 49-26	Tube Rear (Service Item Only)
11	532 13 83-37	Rim Asm 8" Rear Service
--	532 14 43-34	Sealant, Tire (10 oz. Tube)

**NOTE:** All component dimensions given in U.S. inches  
1 inch = 25.4 mm

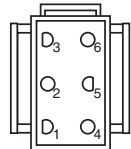
# TRACTOR -- MODEL NO. LT2217A (96041005700), PRODUCT NO. 960 41 00-57 SCHEMATIC



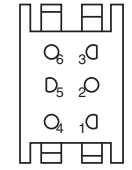
**IGNITION SWITCH**

POSITION	CIRCUIT	"MAKE"
OFF	M+G+A1	
RUN/OVERRIDE	B+A1	
RUN	B+A1	L+A2
START	B + S + A1	

03101



CHASSIS HARNESS CONNECTOR (MATING SIDE)



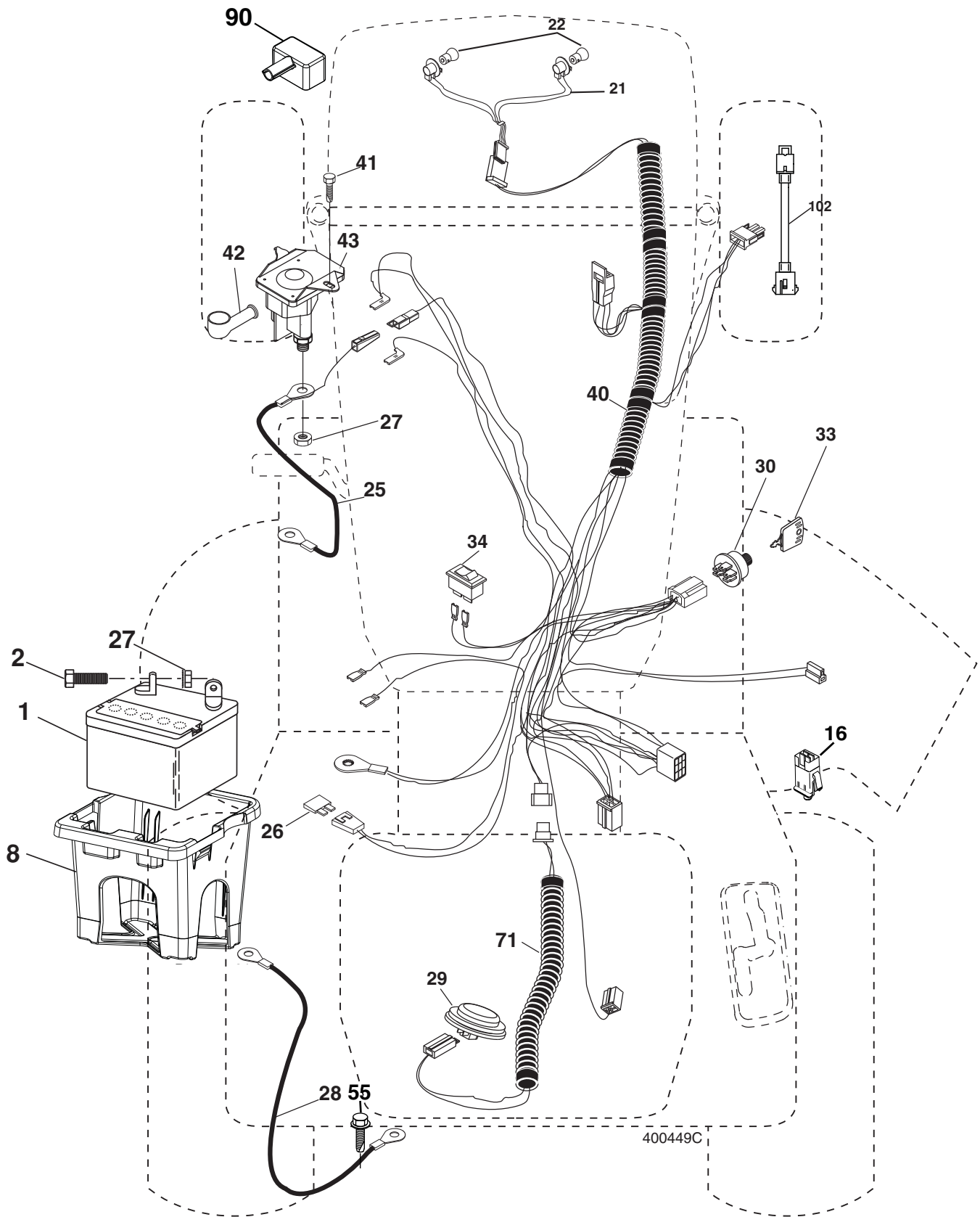
DASH HARNESS CONNECTOR (MATING SIDE)

**WIRING INSULATED CLIPS**  
NOTE: IF WIRING INSULATED CLIPS WERE REMOVED FOR SERVICING OF UNIT, THEY SHOULD BE REPLACED TO PROPERLY SECURE YOUR WIRING.

●  
NON-REMOVABLE CONNECTIONS

○  
REMOVABLE CONNECTIONS

**TRACTOR -- MODEL NO. LT2217A (96041005700), PRODUCT NO. 960 41 00-57  
ELECTRICAL**

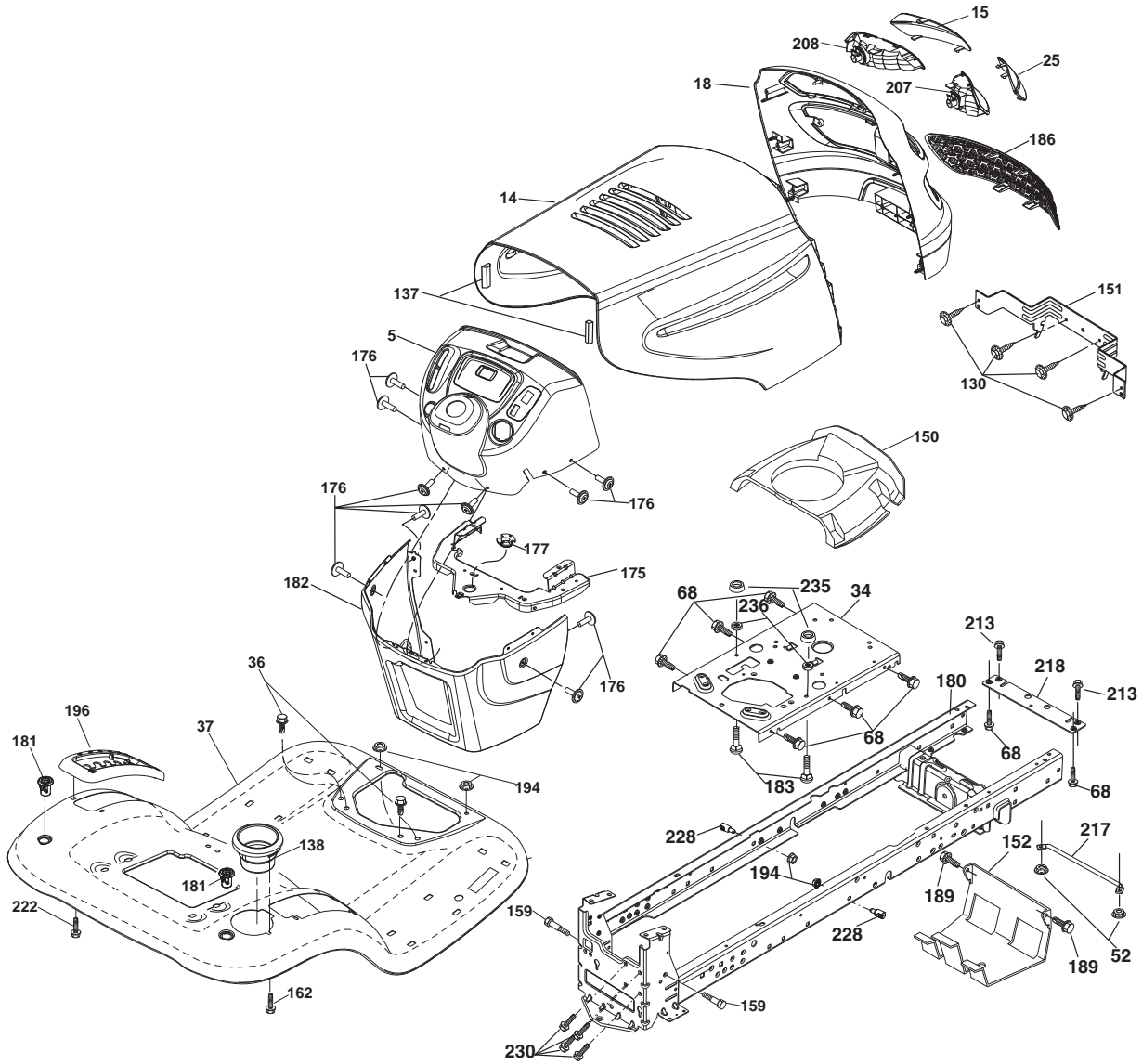


**TRACTOR - - MODEL NO. LT2217A (96041005700), PRODUCT NO. 960 41 00-57  
ELECTRICAL**

<b>KEY NO.</b>	<b>PART NO.</b>	<b>DESCRIPTION</b>
1	532 14 49-27	Battery
2	874 76 04-12	Bolt Hex Head 1/4-20 x 3/4
8	532 19 32-28	Box Battery
16	532 17 61-38	Switch Interlock Push-In
21	532 18 37-59	Harness Socket Light W/4152J
22	532 00 41-52	Bulb Light
25	532 40 16-62	Cable Starter
26	532 17 51-58	Fuse
27	873 51 04-00	Nut Keps Hex 1/4-20 unc
28	532 19 88-85	Cable, Ground
29	532 40 15-45	Switch, Seat
30	532 19 33-50	Switch, Ign
33	532 14 04-01	Key, Ignition
34	532 11 07-12	Switch Light / Reset
40	532 40 04-49	Harness Ign.
41	817 72 04-08	Screw Thd Cut 1/4-20 x 1/2
42	532 13 15-63	Cover, Terminal
43	532 19 25-07	Solenoid
55	817 06 05-12	Screw Thdrol 5/16-18 x 3/4 TYTT
71	532 40 10-98	Harness Ign. Dash
90	532 40 07-25	Cover Terminal
102	532 40 44-54	Harness Pigtail

**NOTE:** All component dimensions given in U.S. inches  
1 inch = 25.4 mm

# TRACTOR - - MODEL NO. LT2217A (96041005700), PRODUCT NO. 960 41 00-57 CHASSIS



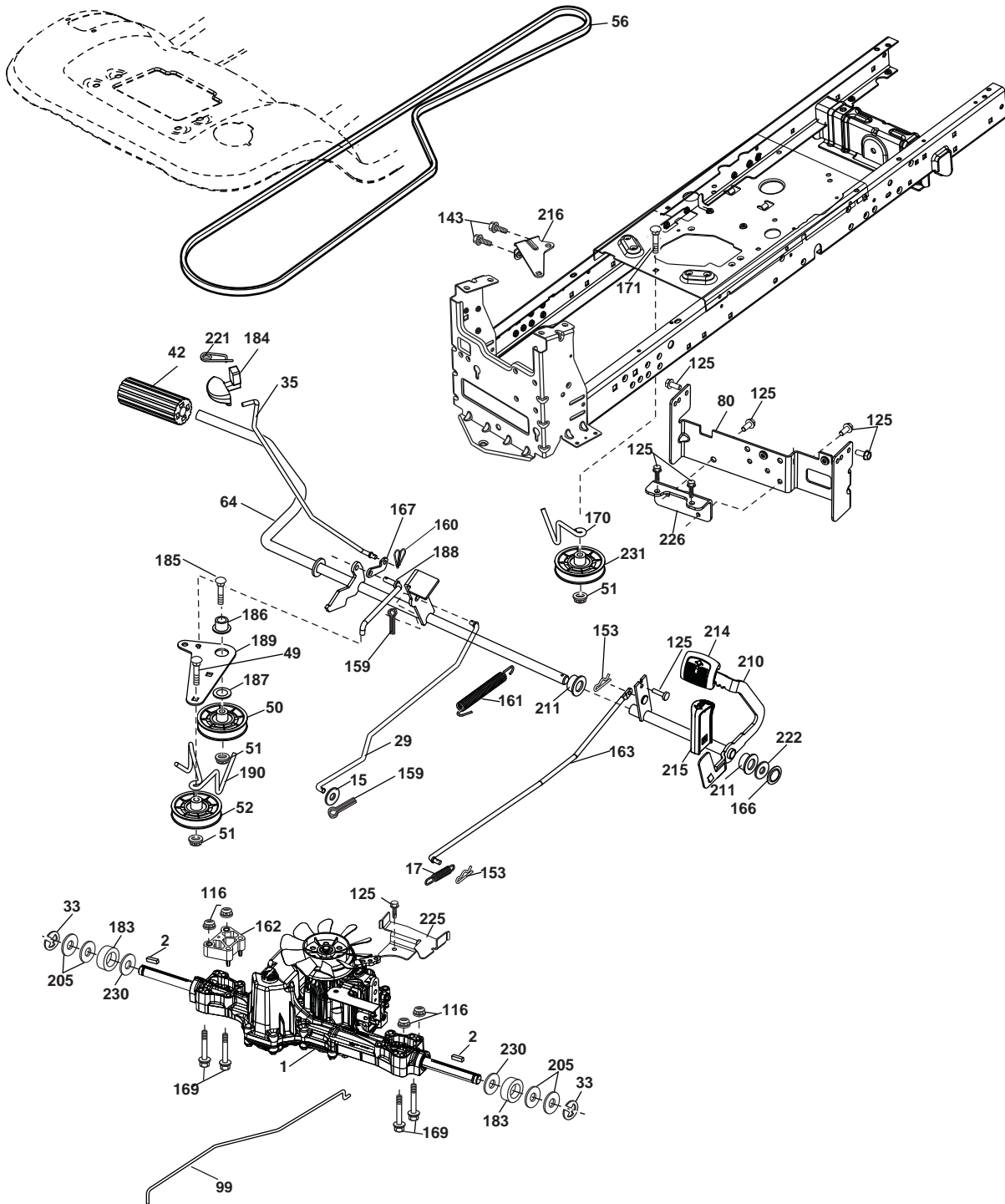
chassis-tex\_61-elite sv pro

**TRACTOR - - MODEL NO. LT2217A (96041005700), PRODUCT NO. 960 41 00-57  
CHASSIS**

<b>KEY NO.</b>	<b>PART NO.</b>	<b>DESCRIPTION</b>
5	532 41 17-64	Dash
14	532 19 47-57	Hood
15	532 18 97-54	Lens LH
18	532 19 29-15	Grille/Lens Asm.
25	532 18 97-55	Lens RH
34	532 19 61-25	Plate Engine
36	817 06 05-12	Screw 5/16-18 x 3/4
37	532 41 34-56	Fender
52	873 68 05-00	Nut Crown Lock 5/16
68	817 49 05-08	Screw THDROL 5/16-18 x 1/2
130	532 19 16-11	Screw 10 x 3/4 Single Lead Hex
137	532 18 49-21	Bumper Dash
138	532 40 97-30	Cupholder
150	532 18 43-22	Air Duct
151	532 40 78-07	Bracket Pivot
152	532 19 95-35	Shield Browning
159	817 00 06-12	Screw Hexwsh Thdr 3/8-16 x 3/4
162	532 14 24-32	Screw Hex Wsh Hi-Lo 1/4x1/2 UNC
175	532 19 32-43	Crossmember
176	532 40 07-76	Screw 10-24 x 5/8
177	532 19 52-28	Bushing Steering
180	532 19 54-57	Chassis
181	532 40 47-96	Bushing Mtg. Fender Crgo
182	532 19 30-57	Dash Lower
183	874 78 05-20	Bolt 5/16-18 UNC x 1-1/4
186	532 18 97-53	Insert Grille
189	817 00 05-12	Screw 5/16-18 x 3/4
194	873 90 05-00	Nut Lock Hex Flange 5/16-18
196	532 40 97-28	Console Asm. Deck Lift
207	532 18 38-33	Bezel RH
208	532 18 38-32	Bezel LH
213	874 76 05-12	Bolt 5/16-18 x 3/4
217	532 40 91-67	Rod Pivot Hood
218	532 19 63-95	X-Piece Hood Stop
222	532 13 77-29	Screw 1/4-20 x 5/8
228	532 19 51-61	Stud Fastener
230	532 17 01-65	Bolt Shoulder 5/16-18
235	532 40 61-29	Spacer Fender
236	873 93 05-00	Nut Lock 5/16-18 UNC

**NOTE:** All component dimensions given in U.S. inches  
1 inch = 25.4 mm

TRACTOR -- MODEL NO. LT2217A (96041005700), PRODUCT NO. 960 41 00-57  
DRIVE



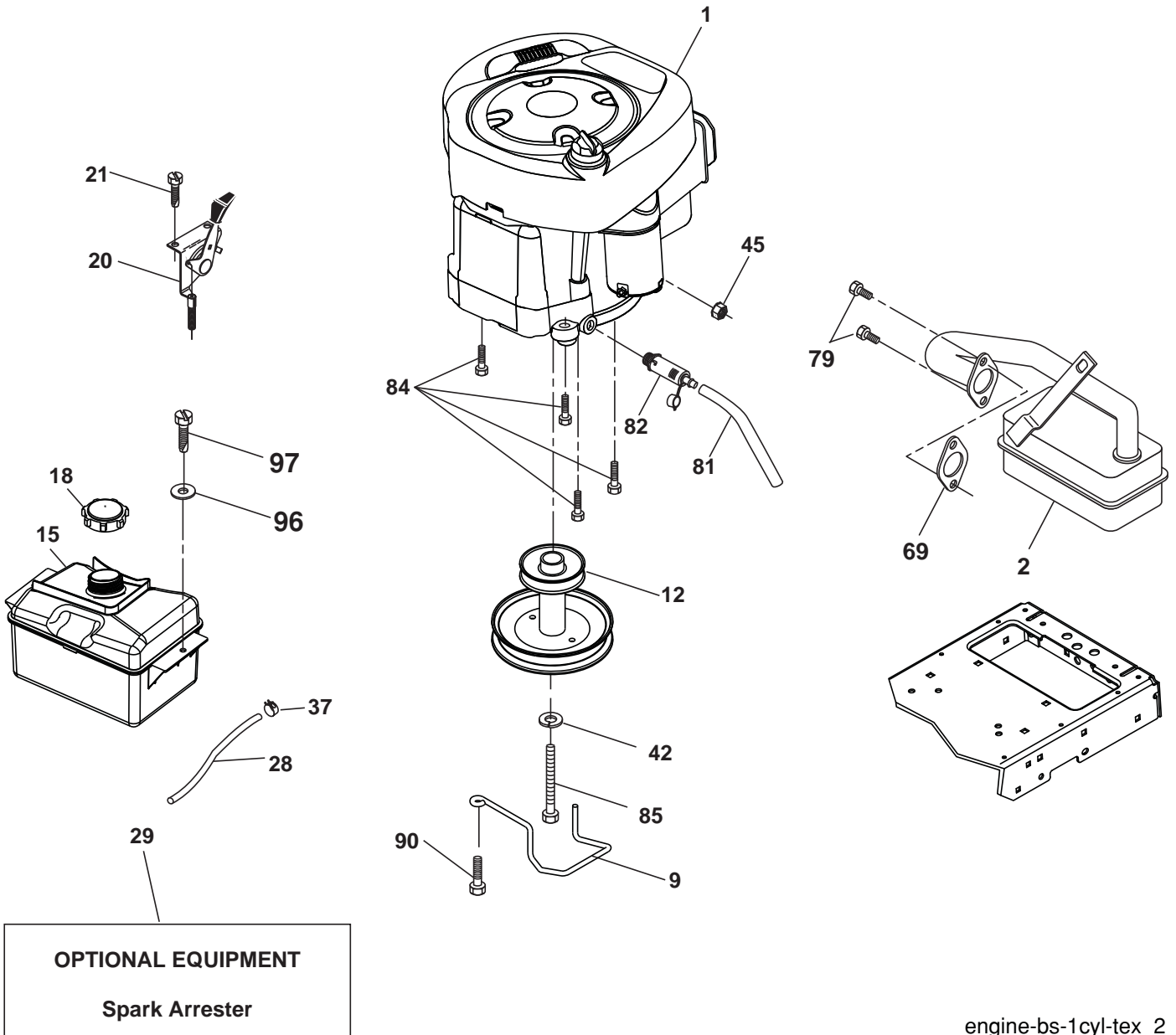
drive-tex\_45-Husq TuffTorq

**TRACTOR - - MODEL NO. LT2217A (96041005700), PRODUCT NO. 960 41 00-57  
DRIVE**

KEY NO.	PART NO.	DESCRIPTION	KEY NO.	PART NO.	DESCRIPTION
1	-----	Transaxle, TUFFTORQ K46 (Order Parts from Transaxle Manufacturer)	166	532 19 72-90	Nut Push
2	532 12 35-83	Key Square	167	532 40 52-57	Latch Brake Parking
15	819 13 13-16	Washer 13/32 x 13/16 x 16 Ga.	169	874 49 05-60	Bolt Hex 5/16-18 x 3.75
17	<b>532 41 36-78</b>	Spring, Brake	170	532 19 43-22	Keeper Belt Centerspan
29	532 40 38-06	Rod, Brake	171	872 11 06-22	Bolt
33	812 00 00-01	Ring E	183	532 13 70-57	Spacer Axle
35	532 19 77-22	Rod, Brake, Park	184	532 41 12-89	Handle Parking Brake
42	532 12 48-72	Cover, Foot Pedal	185	872 11 06-20	Bolt
49	872 11 06-14	Bolt	186	532 19 43-21	Spacer Retainer
50	532 19 43-27	Pulley Idler Flat	187	819 13 32-10	Washer
51	873 90 06-00	Lock Nut 3/8-16	188	532 19 43-23	Link Clutch Ground Drive
52	532 19 43-26	Idler V-Groove 910" Offset	189	532 19 43-17	Bellcrank Ground Drive
56	532 13 09-69	V-Belt, Drive	190	532 19 43-18	Keeper Bellcrank Ground Drive
64	532 19 78-65	Shaft Asm. Pedal Brake Control	205	532 12 17-48	Washer 25/32 x 1-5/8 16 Ga.
80	532 41 00-24	Strap Torque	210	532 40 09-80	Rockr Asm. Pedal Control
99	532 40 59-03	Rod Bypass	211	532 12 01-83	Bearing Nylon
116	873 90 05-00	Nut Lock Hex Flange 5/16-18	214	532 40 17-22	Pad Pedal Forward
125	817 00 05-12	Screw 5/16-18 x 3/4	215	532 40 17-23	Pad Pedal Reverse
143	817 49 05-08	Screw 5/16-18 x 1/2	216	532 19 61-31	Bracket Pulley Idler
153	532 12 47-88	Retainer Spring	221	532 40 31-87	Retainer Spring Clip
159	876 02 04-12	Pin Cotter 1/8 x 3/4	222	879 21 20-10	Washer 21/32 x 1-1/4 10 Ga.
160	532 16 94-84	Retainer Clip	225	532 40 33-19	Keeper Bolt Transaxle
161	532 19 54-03	Spring, Return, Clutch	226	532 40 15-64	Bracket Mount Torque
162	532 19 57-85	Spacer Transaxle	230	532 18 89-67	Washer Hardened
163	532 40 10-34	Rod Pedal Control	231	532 40 72-87	Idler V-Groove

**NOTE:** All component dimensions given in U.S. inches  
1 inch = 25.4 mm

**TRACTOR - - MODEL NO. LT2217A (96041005700), PRODUCT NO. 960 41 00-57  
ENGINE**



# TRACTOR - - MODEL NO. LT2217A (96041005700), PRODUCT NO. 960 41 00-57 ENGINE

KEY NO.	PART NO.	DESCRIPTION
1	-----	Engine Briggs Model No. 31E777
2	532 13 73-52	Muffler
9	532 19 43-20	Keeper Belt Engine
12	532 40 54-71	Pulley Engine
15	532 40 75-45	Tank Fuel 1.5
18	532 19 77-25	Cap Asm
20	532 18 38-97	Control Throttle
21	532 19 16-11	Screw 10 x 3/4 Single Lead-Hex
28	532 13 70-40	Fuel Line
29	532 13 71-80	Spark Arrester Kit
37	532 12 34-87	Clamp Hose
42	810 04 07-00	Washer, Lock 7/16
45	873 51 04-00	Nut Keps Hex 1/4-20 unc
69	532 16 52-91	Gasket
79	532 19 23-34	Screw 5/16-18 x .75
81	532 14 84-56	Tube Drain Oil Easy
82	532 18 16-54	Plug Drain Oil
84	817 06 06-20	Screw 3/8-16 x 1-1/4
85	532 17 39-37	Bolt Hex 7/16-20 x 4 Gr. 5
90	817 00 06-16	Screw 3/8-16 x 1
96	819 09 14-16	Washer 9/32 x 7/8 x 16 Ga.
97	817 67 04-12	Screw 1/4-20 x 3/4

**NOTE:** All component dimensions given in U.S. inches  
1 inch = 25.4 mm

## Engine Power Rating Information

The gross power rating for individual gas engine models is labeled in accordance with SAE (Society of Automotive Engineers) code J11940 (Small Engine Power & Torque Rating Procedure), and rating performance has been obtained and corrected in accordance with SAE J1995 (Revision 2002-5). Actual gross engine power will be lower and is affected by, among other things, ambient operating conditions and engine-to-engine variability. Given both the wide array of products on which engines are placed and the variety of environmental issues applicable to operating the equipment, the gas engine will not develop the rated gross power when used in a given piece of power equipment (actual "on-site" or net horsepower). This difference is due to a variety of factors including, but not limited to, accessories (air cleaner, exhaust, charging, cooling, carburetor, fuel pump, etc.), application limitations, ambient operating conditions (temperature, humidity, altitude), and engine-to-engine variability. Due to manufacturing and capacity limitations, Briggs & Stratton may substitute an engine of higher rated power for this Series engine.

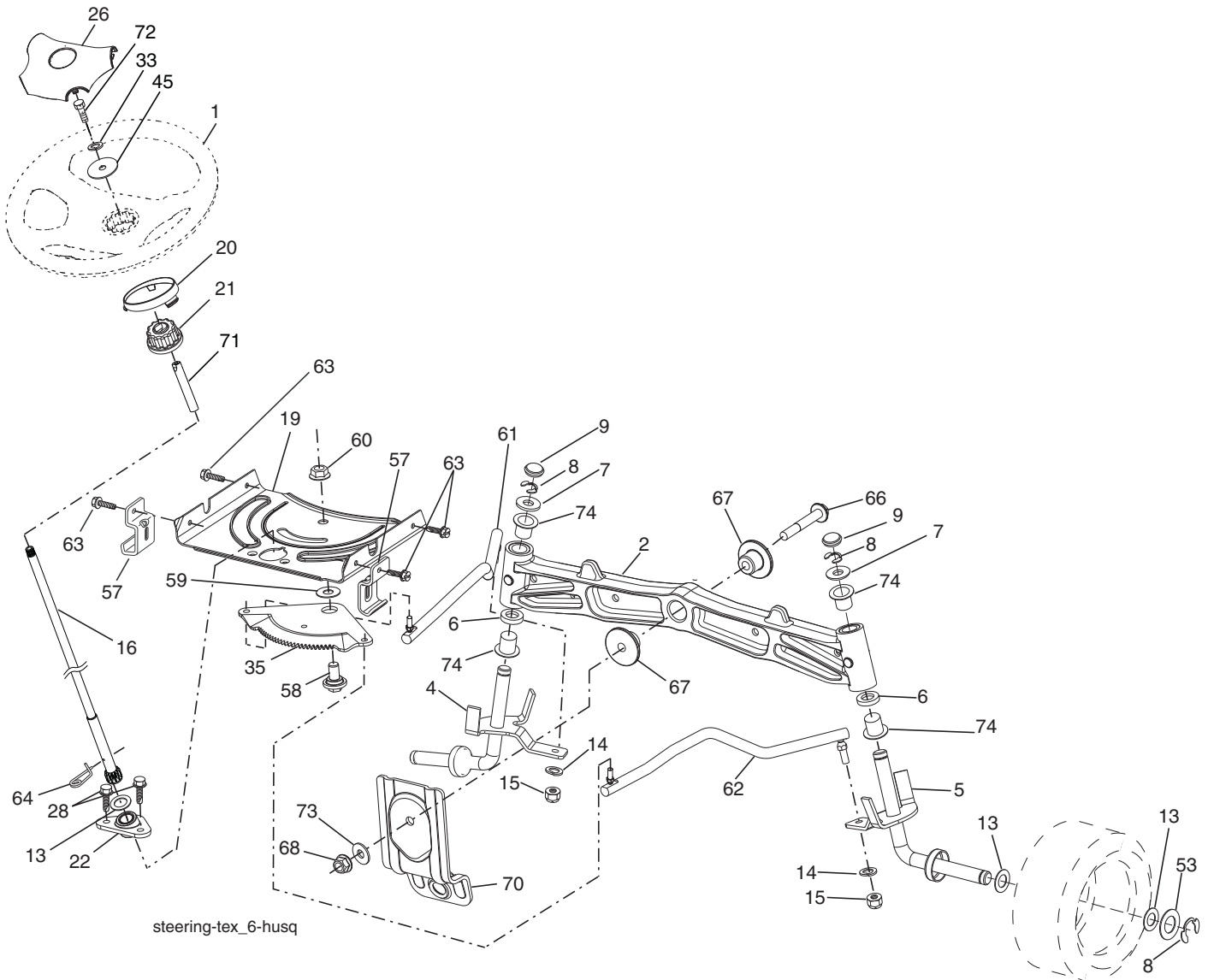


**TRACTOR - - MODEL NO. LT2217A (96041005700), PRODUCT NO. 960 41 00-57  
MOWER DECK**

KEY NO.	PART NO.	DESCRIPTION	KEY NO.	PART NO.	DESCRIPTION
1	532 19 42-51	Mower Housing	67	532 40 30-12	Handle Clutch Cable
5	532 12 46-70	Retainer Spring	68	532 40 83-81	V-Belt
6	532 19 51-86	Arm Suspension	69	872 14 05-05	Bolt
7	532 19 16-11	Screw 10 x 3/4 Single Lead Hex	70	532 19 83-32	Clutch Asm Manual
8	532 19 30-03	Bolt/Washer asm 7/16-20 unf	86	532 19 77-98	Pin Attachment Cable
11	532 19 39-57	Blade, 42" Premium	87	532 19 78-02	Switch Interlock Clutch Cable
13	532 19 28-72	Shaft Assembly, Mandrel	122	532 19 72-58	Keeper Belt Engine LH
14	532 18 72-81	Housing, Mandrel	123	532 19 72-59	Keeper Belt Engine RH
15	532 11 04-85	Bearing, Ball, Mandrel	144	532 19 34-14	Keeper Belt
19	532 19 65-39	Bolt, Shoulder	145	532 19 31-97	Pulley, Idler, Flat
21	873 68 05-00	Nut, Crownlock 5/16-18 unc	147	532 40 18-72	Spring Return
23	532 19 25-57	Bracket, Deflector	151	532 19 83-31	Bracket
24	532 10 53-04	Cap, Sleeve	152	532 40 87-14	Manual Clutch Cable
25	532 19 70-26	Spring, Torsion, Deflector	186	532 19 77-99	Arm Actuator
26	532 11 04-52	Nut, Push	187	532 19 78-00	Lever Control Clutch
27	532 40 14-72	Shield, Deflector	188	532 19 51-61	Stud Fastener
29	532 13 14-91	Rod, Hinge	189	873 90 05-00	Nut Lock Hex Flange
30	532 17 39-84	Screw Thdrol Rolling Wsh Hd	194	532 19 77-97	Bearing Control Lever Clutch
31	532 18 76-90	Washer, Spacer	195	817 00 06-12	Screw 3/8-16 x 3/4
32	532 19 97-89	Pulley, Mandrel	197	532 19 78-01	Spring Plunger Actuator
33	532 40 02-34	Nut, Toplock, Flanged	199	532 40 00-95	Baffle Vortex
34	872 11 06-12	Bolt Carr Sh. 3/8-16 x 1-1/2 Gr. 5	209	819 13 32-10	Washer 13/32 x 2 x 10
37	819 13 13-16	Washer	--	532 19 28-70	Mandrel Assembly (Includes housing, shaft and shaft hardware only-pulley not included)
38	532 19 95-41	Keeper Belt LH Mandrel	--	532 40 04-22	Replacement Mower, Complete
40	873 90 06-00	Nut, Lock Flg. 3/8-16 unc			
42	532 19 84-10	Spring Torsion Brake			
43	532 19 72-56	Spring Torsion Retainer			
46	532 13 77-29	Screw 1/4-20 x 5/8			
55	532 19 72-49	Arm, Idler			
56	532 19 90-92	Spacer, Retainer			
57	817 00 06-16	Screw 3/8-16 x 1			
59	532 14 10-43	Guard, Tuv Idler			
60	532 19 94-71	Arm Brake Mower			
62	872 11 06-12	Bolt Carr. 3/8-16 x 1-1/2			
63	532 19 94-70	Arm Brake Mower			
64	532 19 97-90	Link Brake			

**NOTE:** All component dimensions given in U.S. inches  
1 inch = 25.4 mm

**TRACTOR - - MODEL NO. LT2217A (96041005700), PRODUCT NO. 960 41 00-57**  
**STEERING ASSEMBLY**



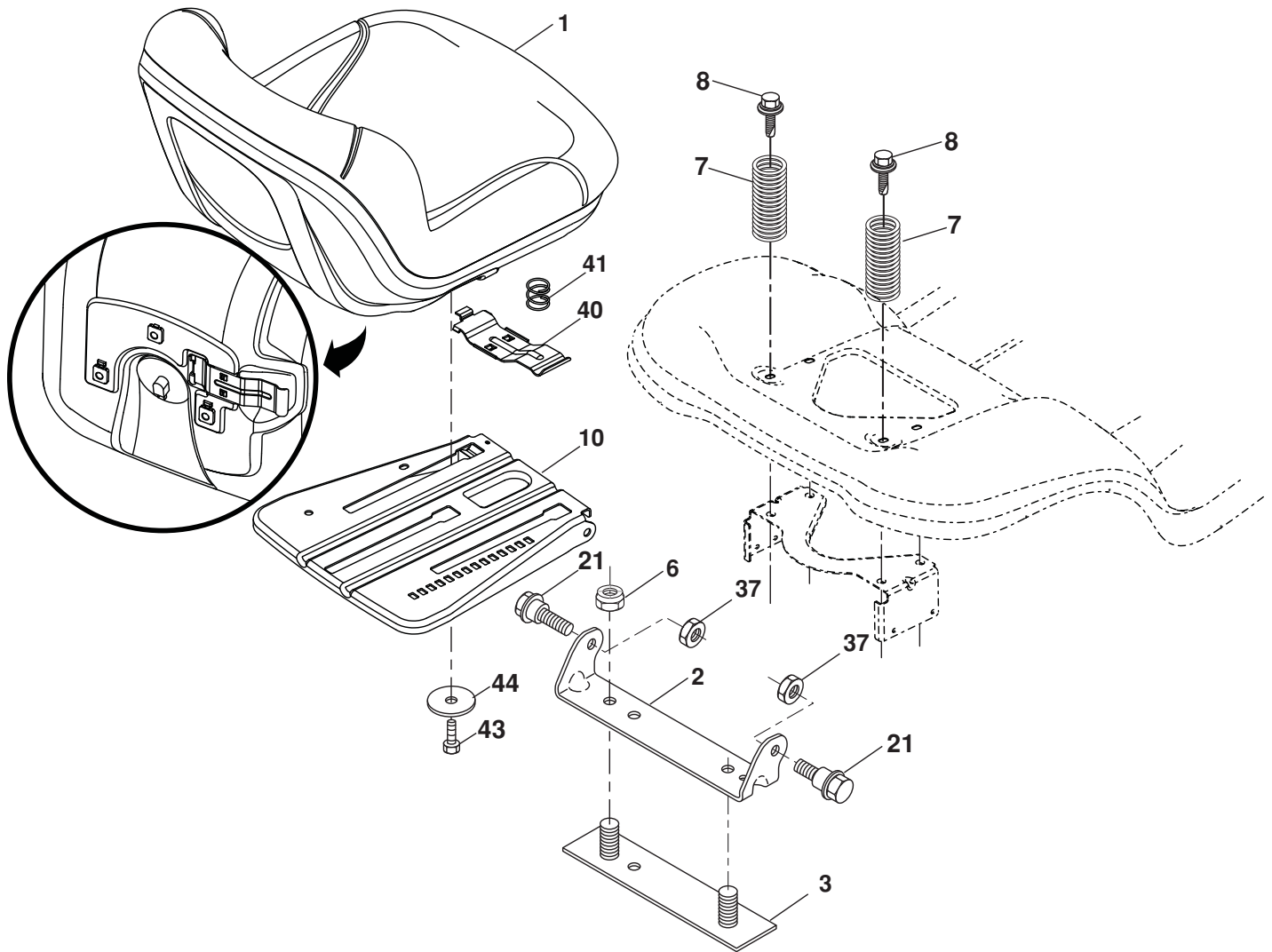
steering-tex\_6-husq

KEY NO.	PART NO.	DESCRIPTION
1	532 19 46-37	Wheel, Steering
2	532 19 56-73	Axle Asm., Front
4	532 40 30-87	Spindle Asm., LH
5	532 40 30-88	Spindle Asm., RH
6	532 12 49-31	Bearing, Race Thrust Harden
7	532 12 17-48	Washer 25/32 x 1-5/8 x 16 Ga.
8	812 00 00-29	Ring, Klip #T5304-75
9	532 12 12-32	Cap, Spindle
13	532 12 17-49	Washer 25/32 x 1-1/4 x 16 Ga.
14	810 04 06-00	Washer, Lock Hvy Hlcl Spr 3/8
15	873 54 06-00	Nut, Crown Lock 3/8-24 unf
16	532 19 60-74	Shaft Steering
19	532 19 47-29	Plate Steering
20	532 41 12-91	Boot, Steering
21	532 18 67-37	Adapter, Wheel Steering
22	532 19 48-45	Bushing, Strg. Blk
26	532 19 46-03	Insert, Wheel Steering
28	817 00 06-12	Screw 3/8-16 x 3/4
33	810 04 05-00	Washer Lock 5/16
35	532 19 47-32	Gear, Sector Plate
45	819 11 38-12	Washer 11/32 x 3/8 x 12 Ga.

KEY NO.	PART NO.	DESCRIPTION
53	532 18 89-67	Washer Hardened .793 x 1.637 x .060
57	532 40 74-65	Bracket Upstop
58	532 19 47-47	Bolt Shoulder Sector Pivot CFM
59	532 19 47-48	Washer Thrust Sector Steering
60	873 97 10-00	Nut Flange Lock 5/8-11
61	532 19 47-40	Draglink LH
62	532 19 47-41	Draglink, RH
63	817 00 05-12	Screw 5/16-18 x 3/4
64	532 19 98-49	Retainer Clip Spring Steering
66	871 02 07-48	Bolt Hex Fghd 7/16-14 x 3 Serr
67	532 19 47-37	Bushing PM Front Axle
68	873 90 07-00	Nut Lock Flange 7/16-14 Gr. 5
70	532 19 61-97	Bracket Deck Susp. Front
71	532 19 60-75	Shaft Extension Steering
72	874 78 05-72	Bolt 5/16-18 UNC x 4.5. Gr. 5
73	532 19 91-62	Washer 1.5 x .505 x .118
74	532 12 49-37	Bearing

**NOTE:** All component dimensions given in U.S. inches  
 1 inch = 25.4 mm

**TRACTOR -- MODEL NO. LT2217A (96041005700), PRODUCT NO. 960 41 00-57  
SEAT ASSEMBLY**



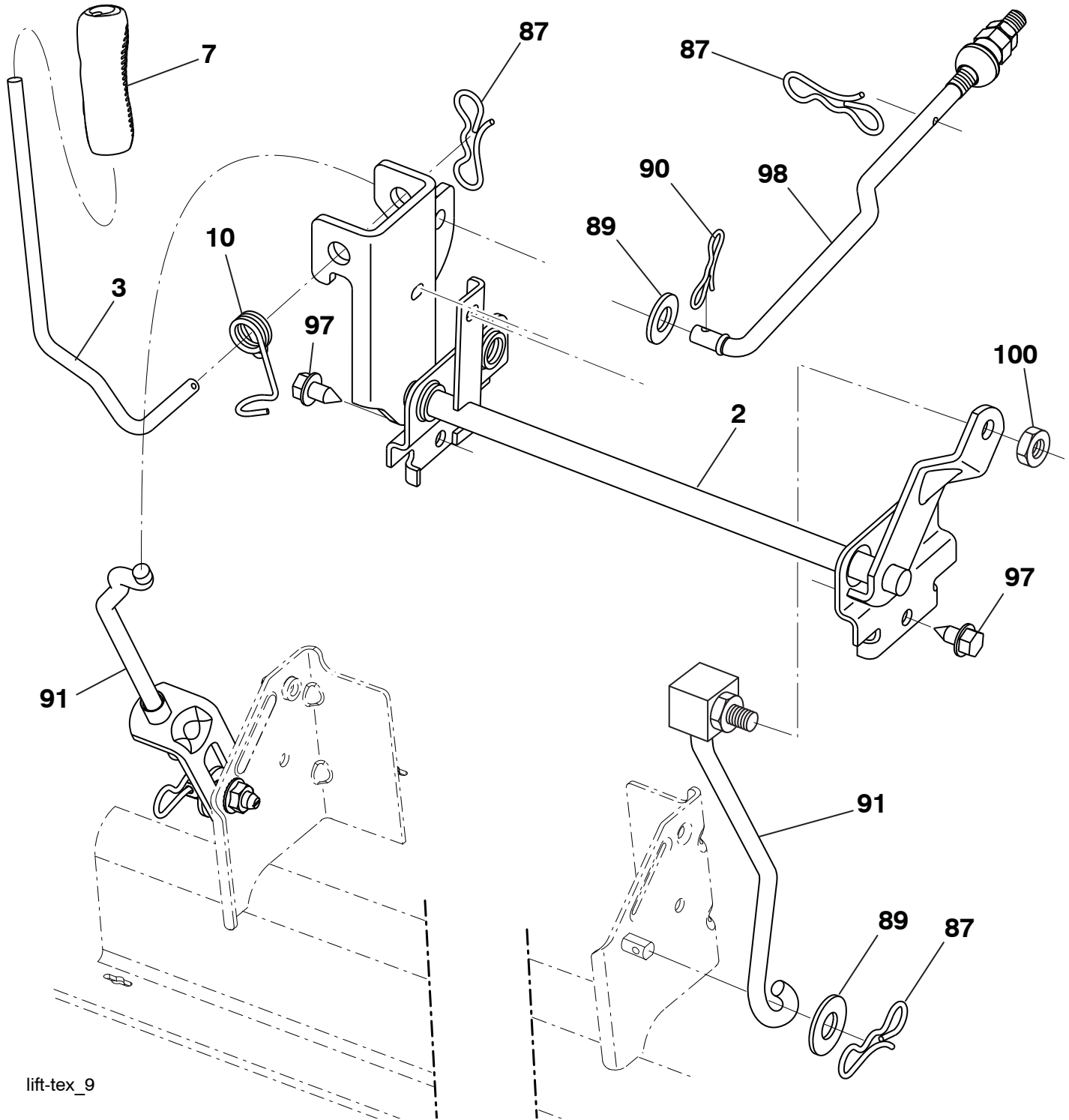
seat-tex\_7-vgt

KEY NO.	PART NO.	DESCRIPTION
1	532 41 14-05	Seat
2	532 18 01-66	Bracket Pivot Fender
3	532 14 06-75	Strap, Asm Fender
6	873 80 06-00	Nut, Lock W/Ins. 3/8-16 unc
7	532 12 41-81	Spring, Seat Cprsn
8	532 17 18-77	Bolt 5/16-18 uncx 3/4 w/Sems
10	532 19 69-77	Pan, Seat

KEY NO.	PART NO.	DESCRIPTION
21	532 17 18-52	Bolt, Shoulder 5/16-18
37	873 80 05-00	Nut, Lock 5/16-18 unc
40	532 19 76-61	Handle Slide Seat
41	532 19 82-00	Spring Latch Seat
43	874 76 06-12	Bolt Fin Hex 3/8-16 x 3/4
44	819 13 38-12	Washer 13/32 x 2-3/8 x 12 Ga.

**NOTE:** All component dimensions given in U.S. inches  
1 inch = 25.4 mm

**TRACTOR -- MODEL NO. LT2217A (96041005700), PRODUCT NO. 960 41 00-57  
MOWER LIFT**



lift-tex\_9

KEY NO.	PART NO.	DESCRIPTION
2	532 19 52-23	Shaft Asm., Lift
3	532 19 52-31	Lever Asm., Lift Rh
7	532 41 15-55	Grip, Lever
10	532 19 63-14	Spring Torsion
87	532 19 42-09	Pin Cotter 7/16 Bow Tie Lock
89	819 19 19-12	Washer Clear Zinc
90	532 19 42-08	Pin Cotter 5/16 Bow Tie Lock
91	532 19 51-81	Link Lift Susp Mower Rear

KEY NO.	PART NO.	DESCRIPTION
97	817 00 06-12	Screw 3/8-16 x .75 Smgml Tap/R.Z
98	532 19 52-70	Link Lift Susp. Front Mower
100	873 93 06-00	Nut Centerlock 3/8-16

**NOTE:** All component dimensions given in U.S. inches  
1 inch = 25.4 mm