

CS2153, CS 2152

Spare parts

Ersatzteile

Pièces détachées

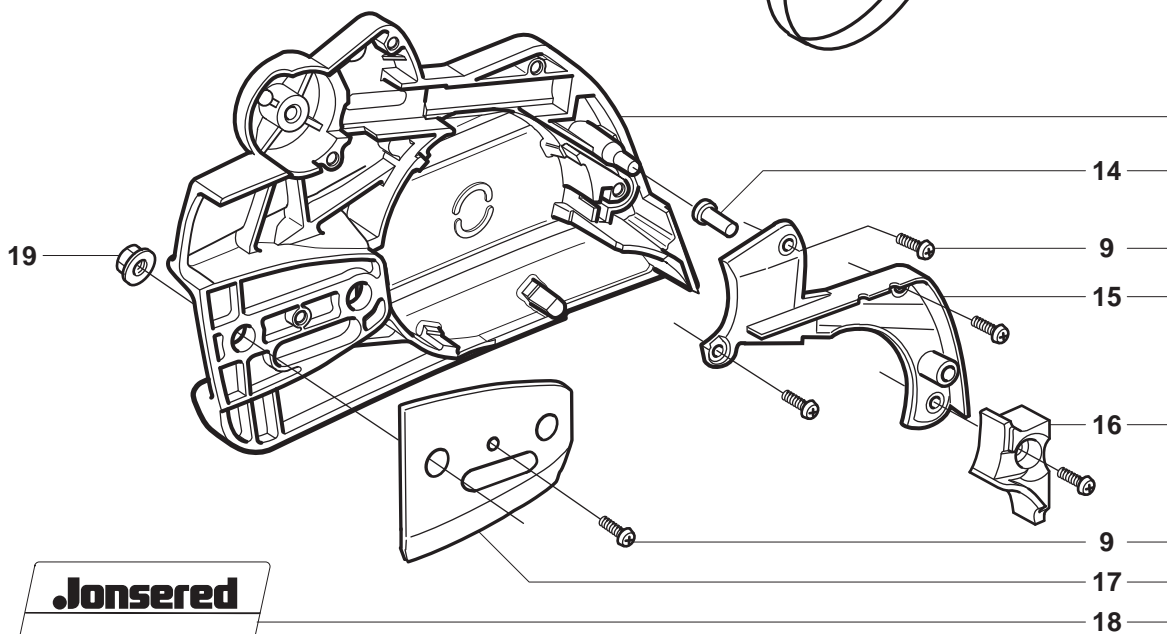
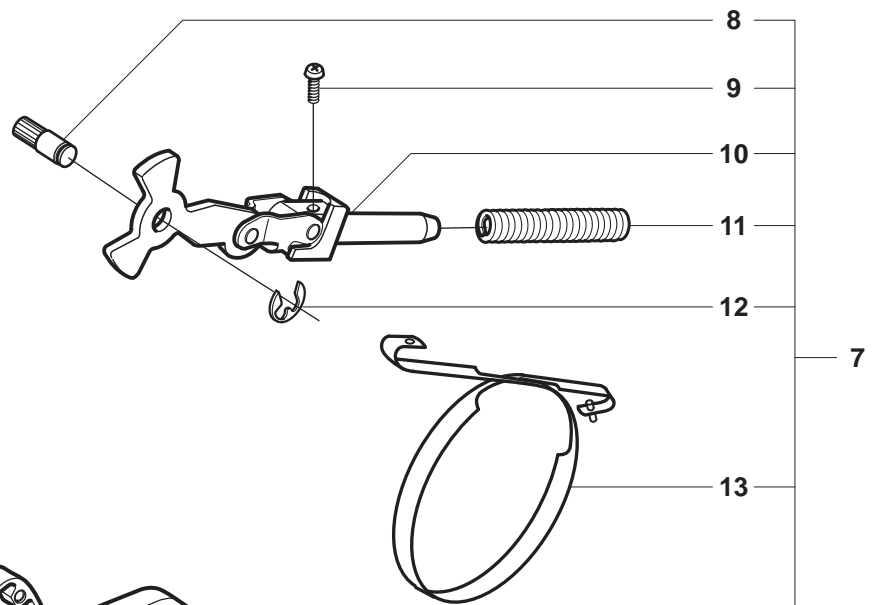
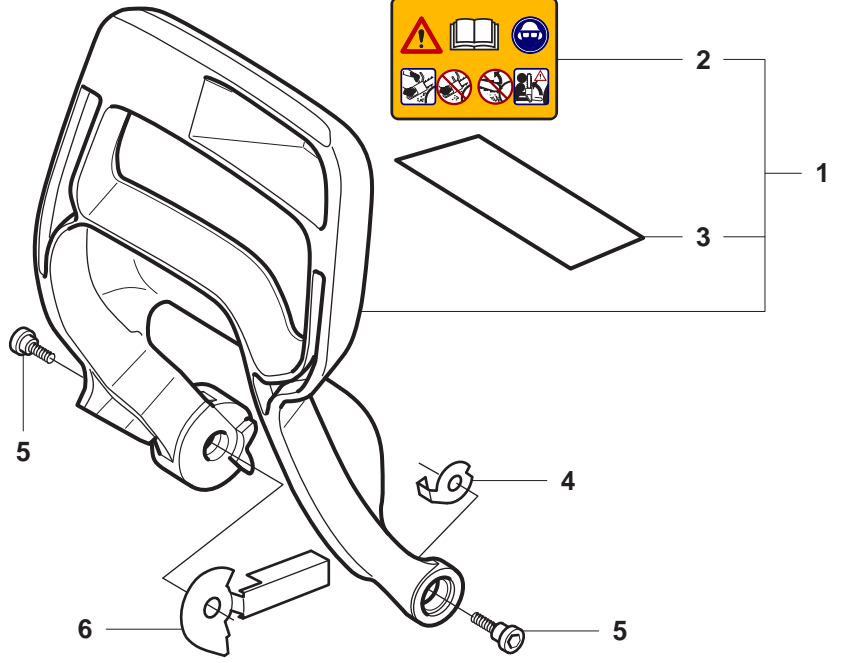
Reserve onderdelen

Repuestos

Reservdelar

A

CS2153/CS2152

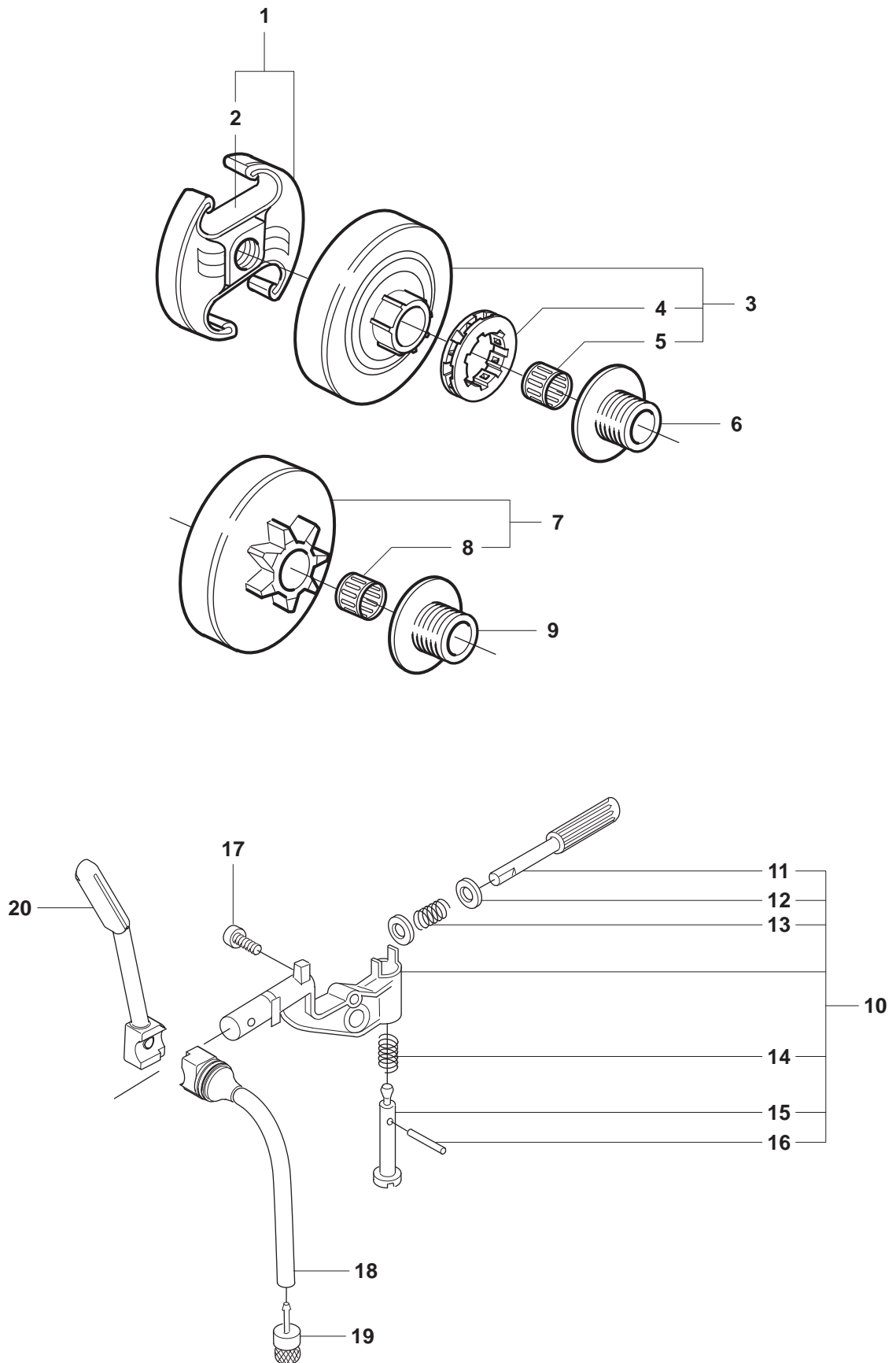


Page A
CS 2153/CS 2152

Pos.	Compl No.	Part No.	Quantity	Notes
1		537 01 21-03	1	
2	537 01 21-03	503 98 74-01	1	
3	537 01 21-03	537 15 27-01	1	
4		503 92 95-01	1	
5		503 89 30-02	2	
6		537 02 99-01	1	
7		537 10 79-01	1	
8	537 10 79-01	503 89 29-01	1	
9	537 10 79-01	503 21 70-72	6	
10	537 10 79-01	503 89 08-02	1	
11	537 10 79-01	503 46 59-01	1	
12	537 10 79-01	735 31 08-20	1	
13	537 10 79-01	537 04 30-01	1	
14	537 10 79-01	503 85 52-01	1	
15	537 10 79-01	537 10 80-01	1	
16	537 10 79-01	537 08 90-01	1	
17	537 10 79-01	503 85 66-01	1	
18	537 10 79-01	537 00 63-02	1	
19	537 10 79-01	503 22 00-01	2	

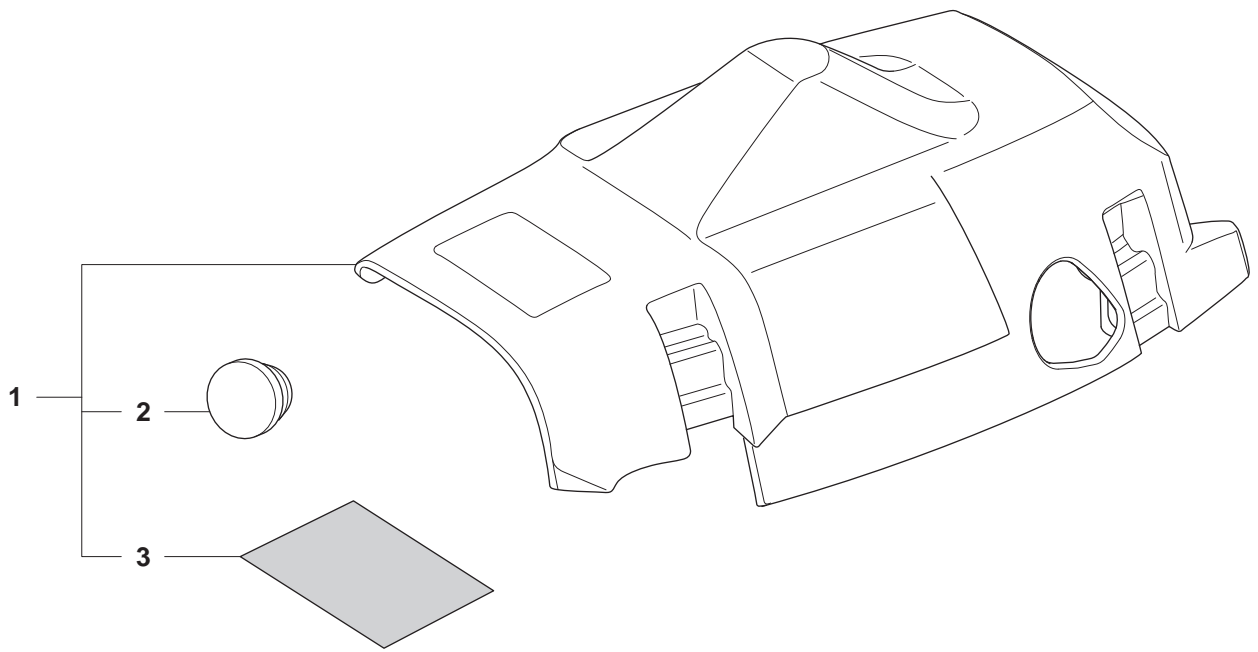
B

CS2153/CS2152



Page B
CS 2153/CS 2152

Pos.	Compl No.	Part No.	Quantity	Notes
1		537 11 05-03	1	.325x7
2	537 11 05-03	537 08 00-01	2	
3		503 98 00-71	1	
4	503 98 00-71	501 45 74-02	1	
5	503 98 00-71	503 25 52-01	1	
6		503 89 21-02	1	.325x7 RIM
7		503 87 30-72	1	.325x7
8	503 87 30-72	503 25 52-01	1	
9		503 89 20-02	1	.325x7 SPUR
10		544 18 01-01	1	
11	544 18 01-01	537 06 91-01	1	
12	544 18 01-01	503 23 00-60	2	
13	544 18 01-01	503 89 16-01	1	
14	544 18 01-01	503 89 15-01	1	
15	544 18 01-01	537 02 71-01	1	
16	544 18 01-01	721 11 64-30	1	
17	544 18 01-01	503 21 74-12	1	
18	544 18 01-01	537 10 11-01	1	
19	544 18 01-01	504 71 00-03	1	
20	544 18 01-01	537 41 32-01	1	

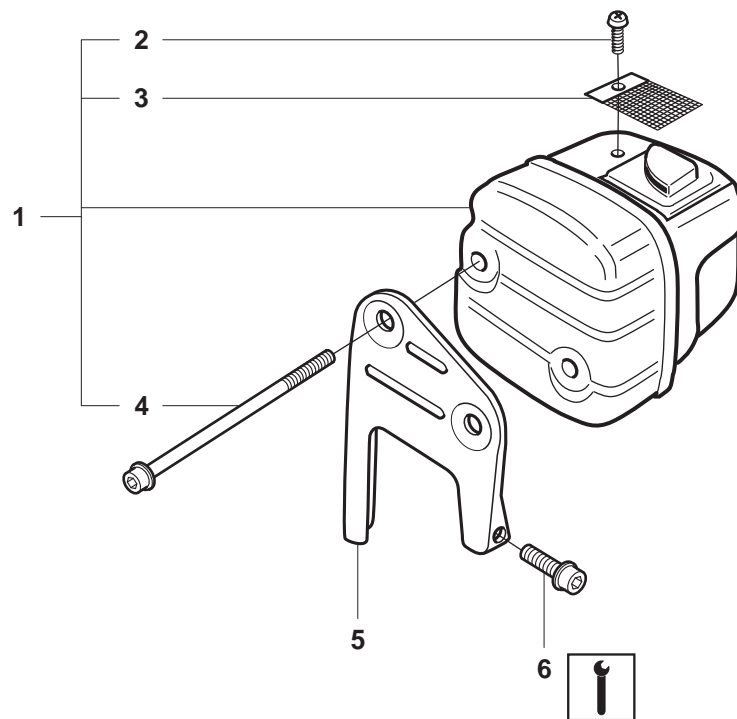


Page C
CS 2153/CS 2152

Pos.	Compl No.	Part No.	Quantity	Notes
1		504 05 44-01	1	
2	504 05 44-01	503 40 59-01	1	
3	504 05 44-01	503 84 59-01	1	

D

CS2153/CS2152

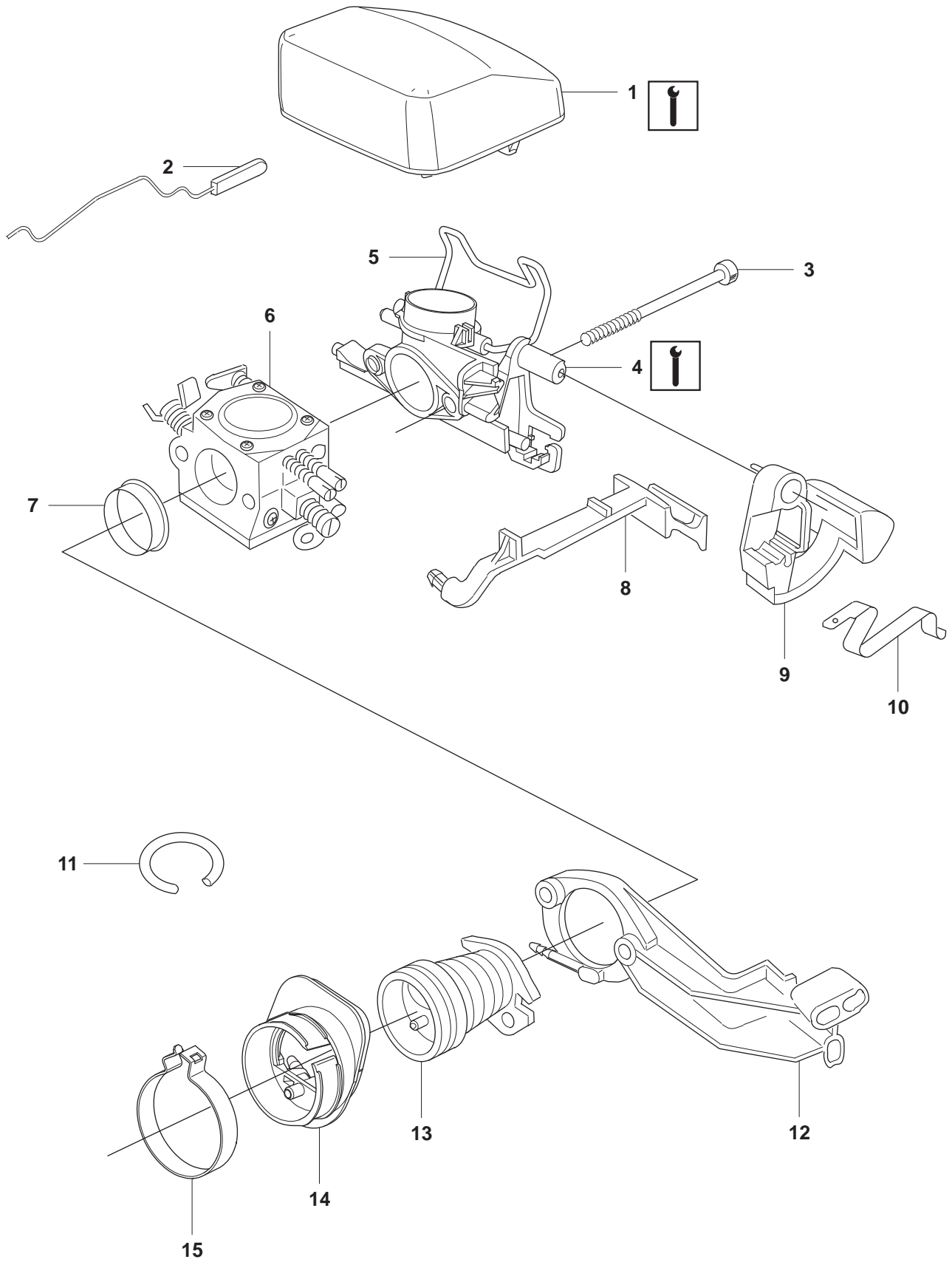


Page D
CS 2153/CS 2152

Pos.	Compl No.	Part No.	Quantity	Notes
1		503 86 28-03	1	DF
1		537 07 54-02	1	CAT
2	503 86 28-03	724 12 87-59	1	
2	537 07 54-02	724 12 87-59	1	
3	503 86 28-03	503 86 36-01	1	
3	537 07 54-02	503 86 36-01	1	
4	503 86 28-03	503 20 45-87	2	
4	537 07 54-02	503 20 45-87	2	
5		503 94 19-01	1	
6		503 20 07-76	1	

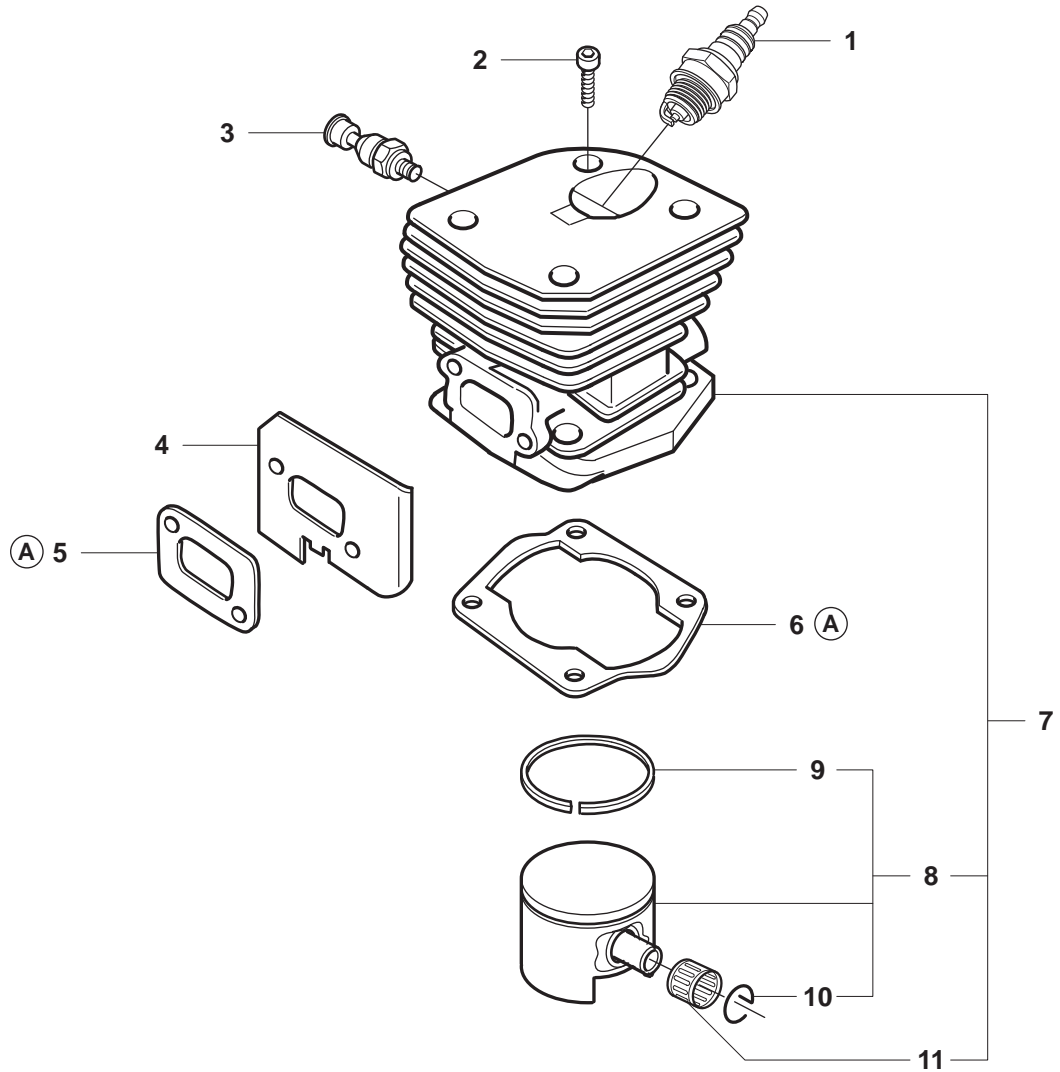
E

CS2153/CS2152



Page E
CS 2153/CS 2152

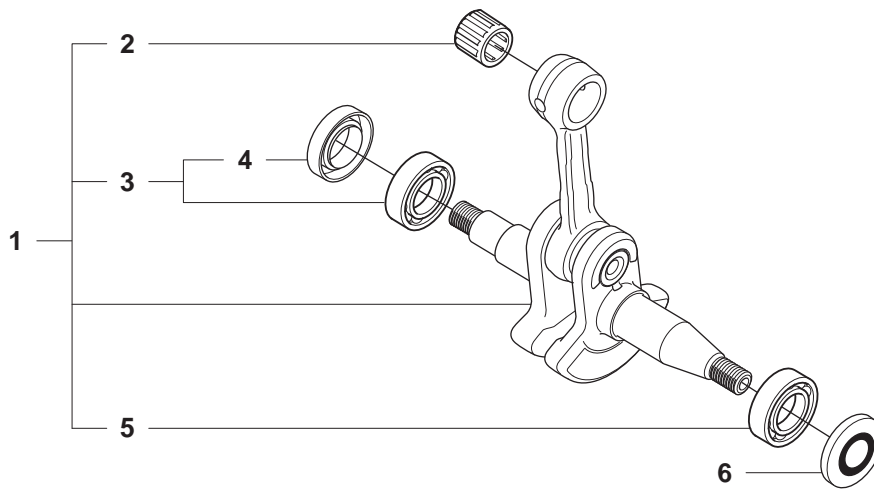
Pos.	Compl No.	Part No.	Quantity	Notes
1		537 26 49-01	1	NYLON 80my Black
1		537 26 49-02	1	NYLON 44my Yellow
1		537 26 49-03	1	FELT White
2		503 88 92-01	1	
3		503 21 74-50	2	
4		544 36 05-01	1	
5		537 39 31-02	1	
6		503 28 32-10	1	C3-EL32 B
7		537 02 90-01	1	
8		503 86 96-01	1	
9		503 86 95-02	1	
10		503 86 97-02	1	
11		544 32 51-01	1	
12		503 86 64-02	1	
13		503 86 63-01	1	
14		537 42 28-01	1	
15		537 43 88-01	1	



Ⓐ 503 94 28-02
Set of gaskets
Dichtungssatz
Jeu de joints
Juego de juntas
Packningssats

Page F
CS 2153/CS 2152

Pos.	Compl No.	Part No.	Quantity	Notes
1		503 23 51-08	1	RCJ 7Y
2		725 53 33-55	4	
3		503 66 54-01	1	
4		503 97 13-01	1	
5	503 94 28-02	503 86 25-01	1	A
6	503 94 28-02	503 89 44-01	1	A
7		537 25 31-02	1	CS 2152
7		544 14 29-04	1	CS 2153
8	537 25 31-02	537 22 36-02	1	CS 2152
8	544 14 29-04	544 14 31-02	1	CS 2153
9	537 22 36-02	503 28 90-11	1	CS 2152
9	544 14 31-02	503 28 90-56	1	CS 2153
10	537 22 36-02	737 44 10-00	2	CS 2152
10	544 14 31-02	737 44 10-00	2	CS 2153
11	537 25 31-02	501 45 16-01	1	CS 2152
11	544 14 29-04	501 45 16-01	1	CS 2153
A		503 94 28-02	1	Set of gaskets

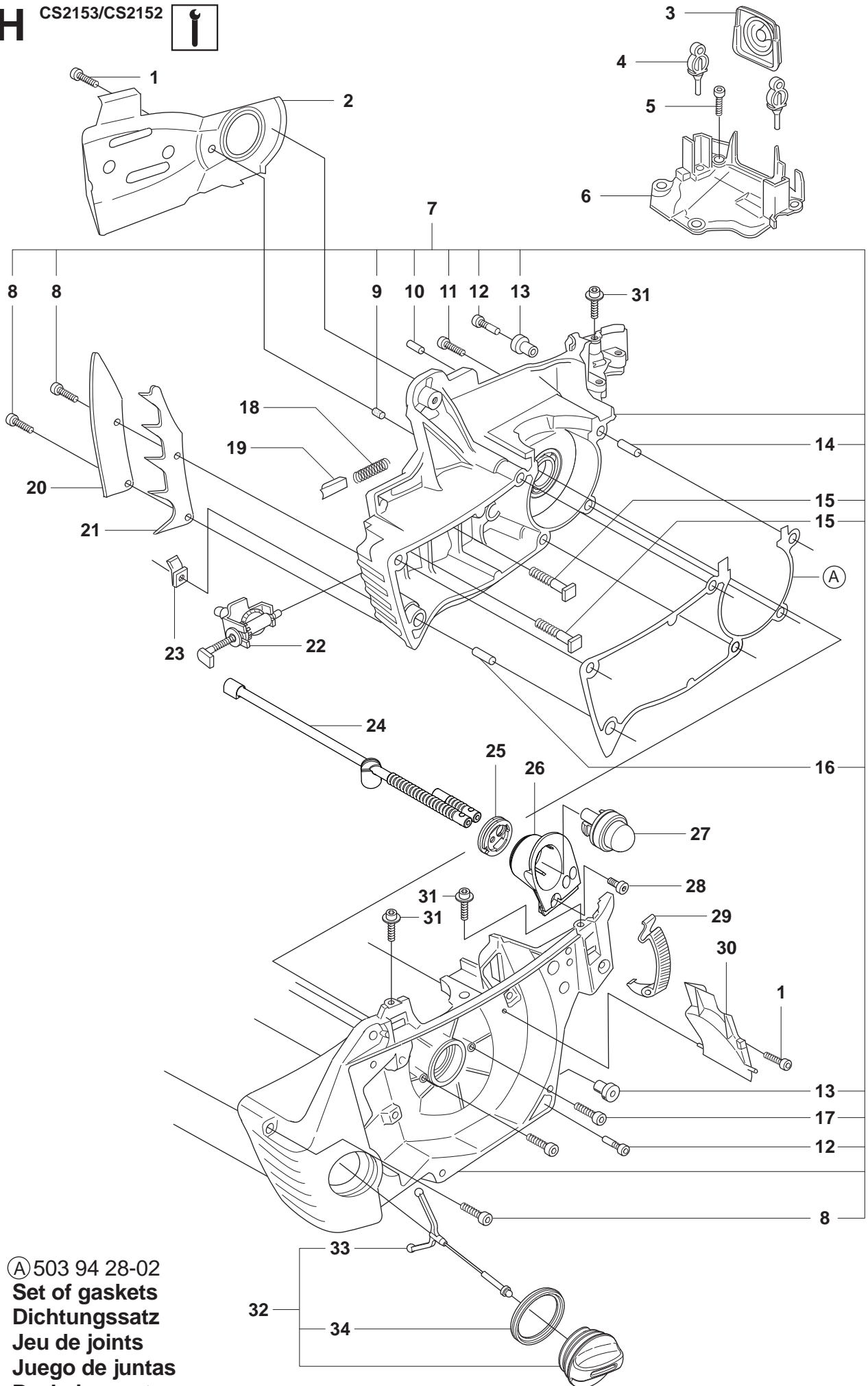


Page G
CS 2153/CS 2152

Pos.	Compl No.	Part No.	Quantity	Notes
1		503 85 76-71	1	
2	503 85 76-71	501 45 16-01	1	
3	503 85 76-71	503 25 20-02	1	
4	503 25 20-02	503 26 09-01	1	
5	503 85 76-71	738 22 02-25	1	
6		505 27 57-19	1	

H

CS2153/CS2152



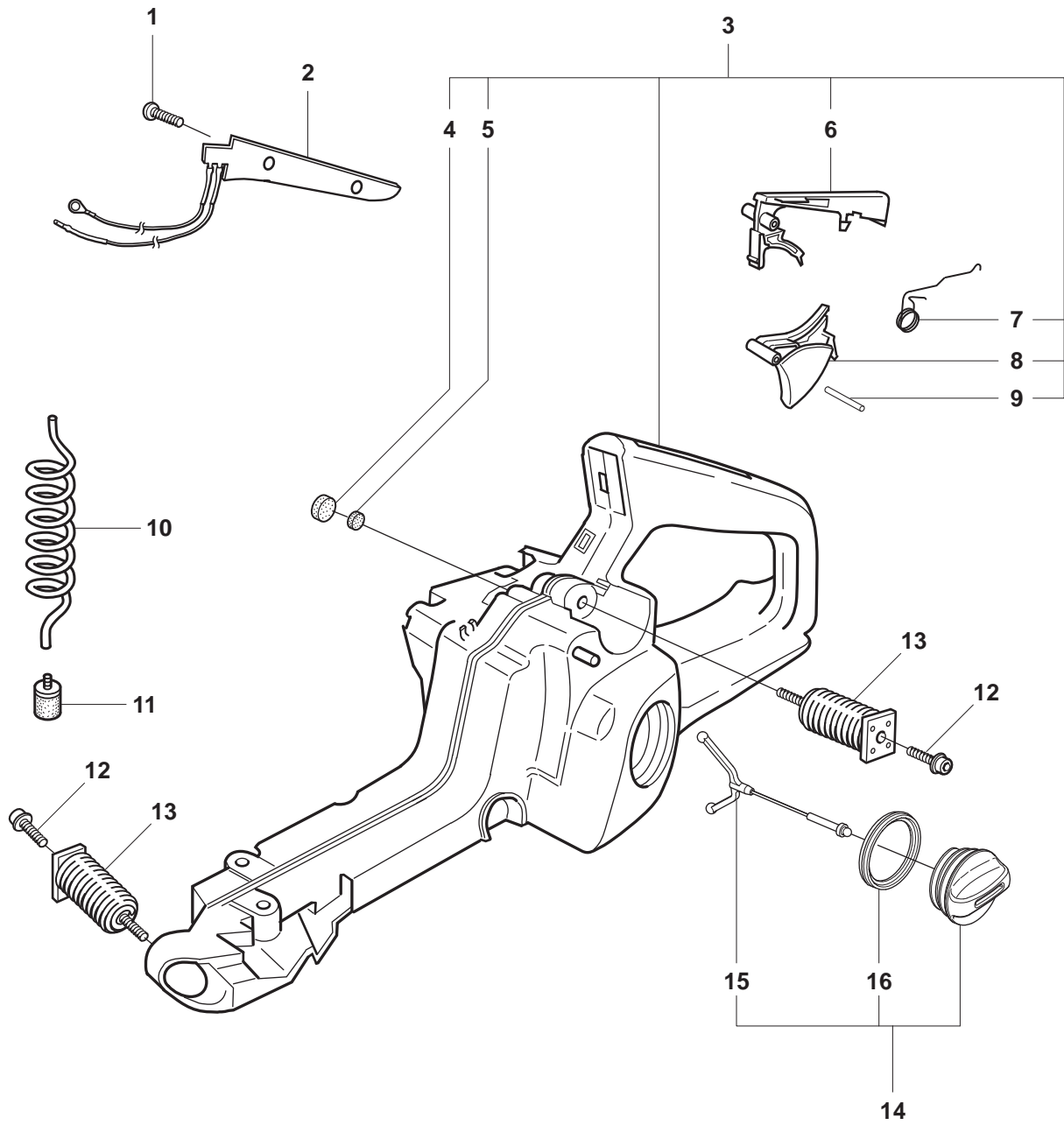
Ⓐ 503 94 28-02
Set of gaskets
Dichtungssatz
Jeu de joints
Juego de juntas
Packningssatz

Page H
CS 2153/CS 2152

Pos.	Compl No.	Part No.	Quantity	Notes
1		503 21 74-12	2	
2		537 40 56-01	1	
3		537 14 65-01	1	
4		503 86 93-01	2	
5		503 21 75-12	4	
6		544 36 07-02	1	
7		537 17 19-06	1	
8	537 17 19-06	503 20 07-76	3	
9	537 17 19-06	537 04 03-01	1	
10	537 17 19-06	721 12 07-30	1	
11	537 17 19-06	503 20 08-70	6	
12	537 17 19-06	503 21 51-01	2	
13	537 17 19-06	503 86 92-01	2	
14	537 17 19-06	503 90 56-01	1	
15	537 17 19-06	503 87 54-01	2	
16	537 17 19-06	503 90 56-01	1	
17	537 17 19-06	503 20 25-16	2	
18		503 43 65-01	1	
19		503 89 24-01	1	
20		503 93 04-01	1	
21		503 90 59-01	1	
22	537 07 12-01	537 07 12-01	1	
23		503 88 63-01	1	
24		544 33 10-01	1	
25		504 01 09-01	1	
26		504 07 15-02	1	
27		503 93 66-01	1	
28		544 44 97-01	1	
29		503 89 47-02	3	
30		503 88 86-01	1	
31		503 21 39-01	3	
32		537 28 15-01	1	
33	537 28 15-01	503 57 89-01	1	
34	537 28 15-01	501 62 68-01	1	
A		503 94 28-02	1	Set of gaskets

J

CS2153/CS2152

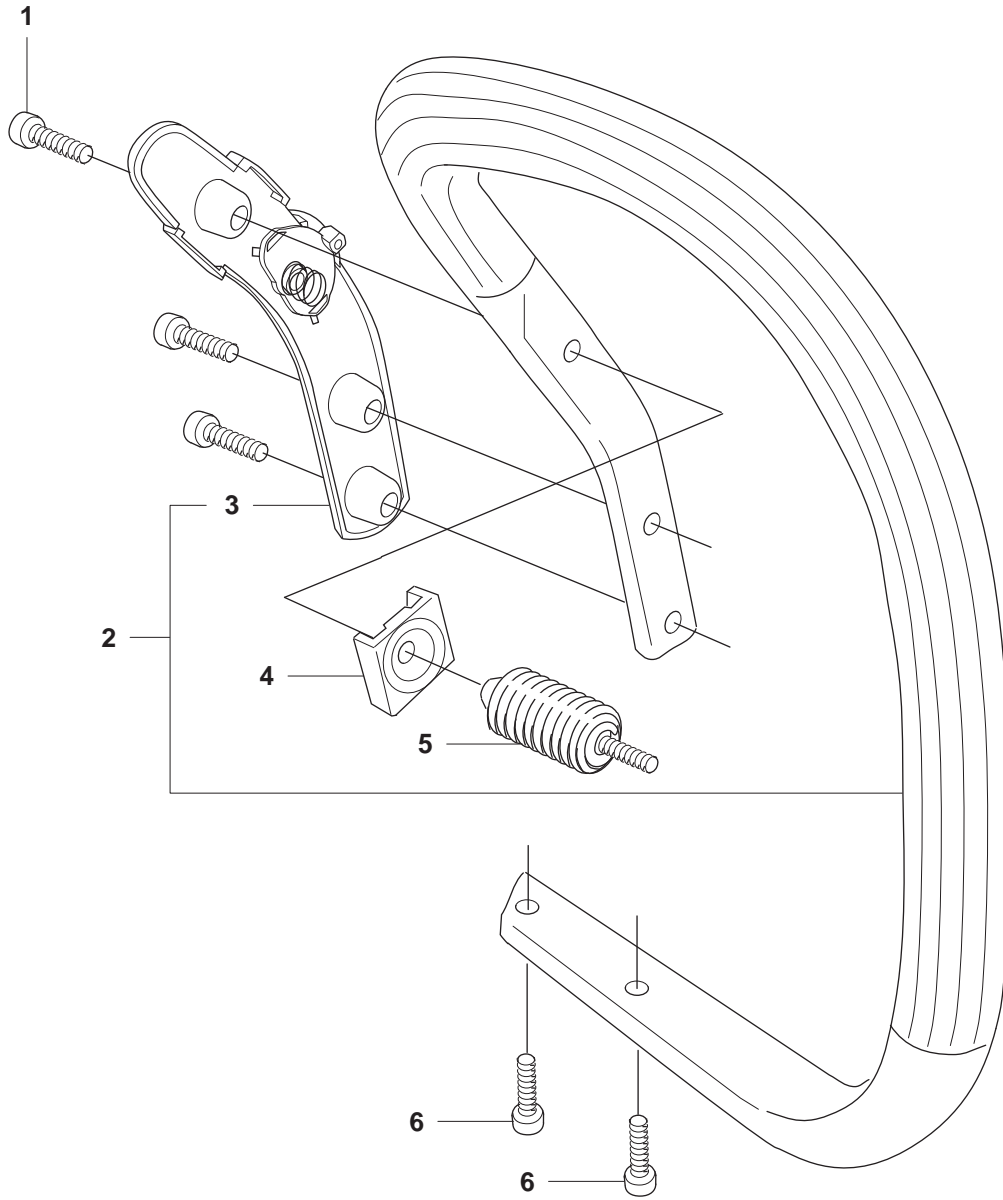


Page J
CS 2153/CS 2152

Pos.	Compl No.	Part No.	Quantity	Notes
1		503 21 38-01	2	W-version
2		503 92 61-02	1	W-version
3		503 86 37-04	1	
4	503 86 37-04	503 60 04-01	1	
5	503 86 37-04	501 62 98-01	1	
6	503 86 37-04	503 85 44-02	1	
7	503 86 37-04	503 99 86-01	1	
8	503 86 37-04	503 85 45-02	1	
9	503 86 37-04	720 18 25-20	1	
10		544 32 50-02	1	
11		503 44 32-01	1	
12		503 21 88-76	2	
13		503 85 41-01	2	
14		537 21 52-01	1	Std
14		537 21 52-03	1	C-version
15	537 21 52-01	503 57 89-01	1	Std
15	537 21 52-03	503 57 89-01	1	C-version
16	537 21 52-01	537 21 50-01	1	Std
16	537 21 52-03	537 21 50-01	1	C-version

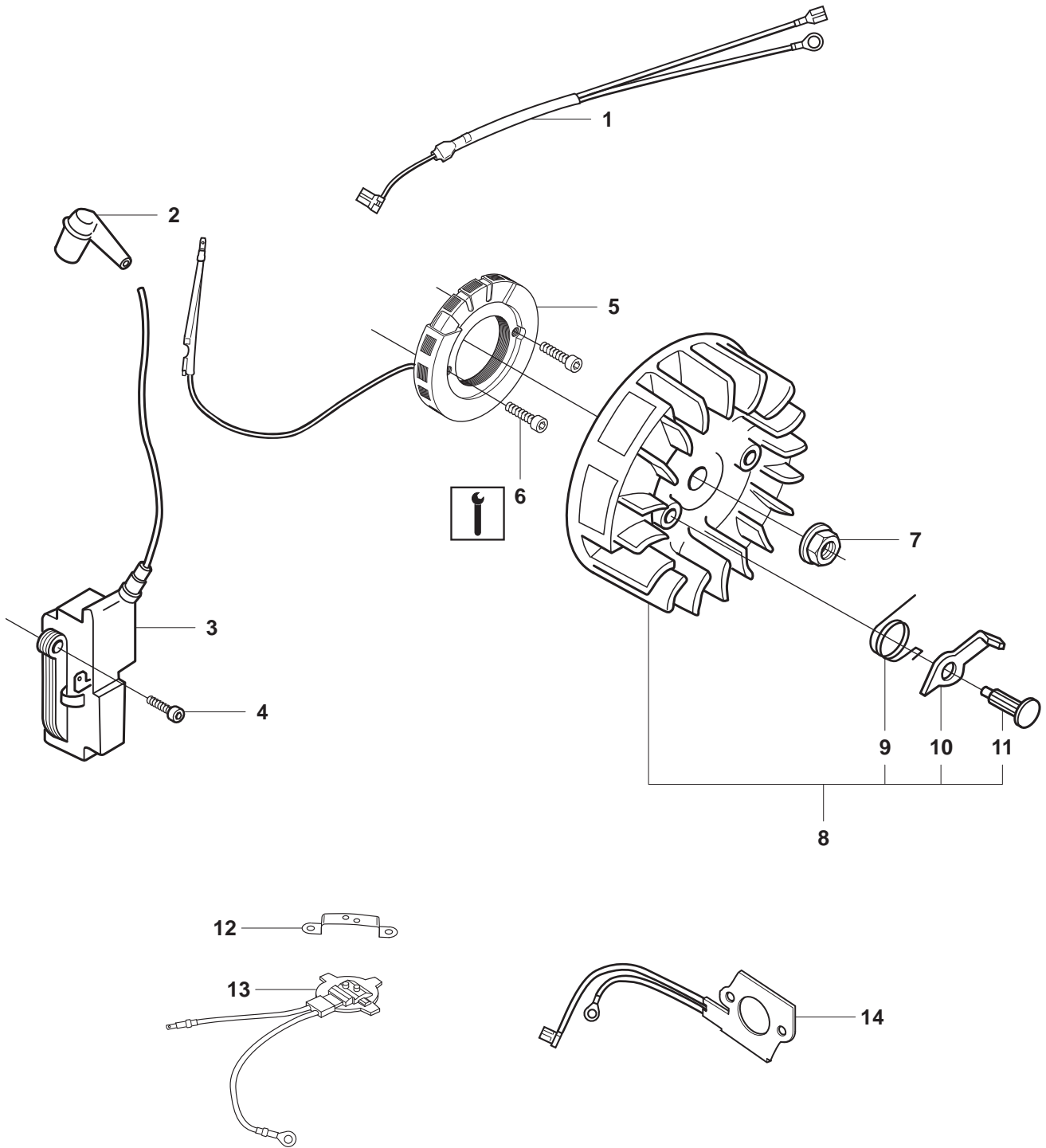
K

CS2153/CS2152



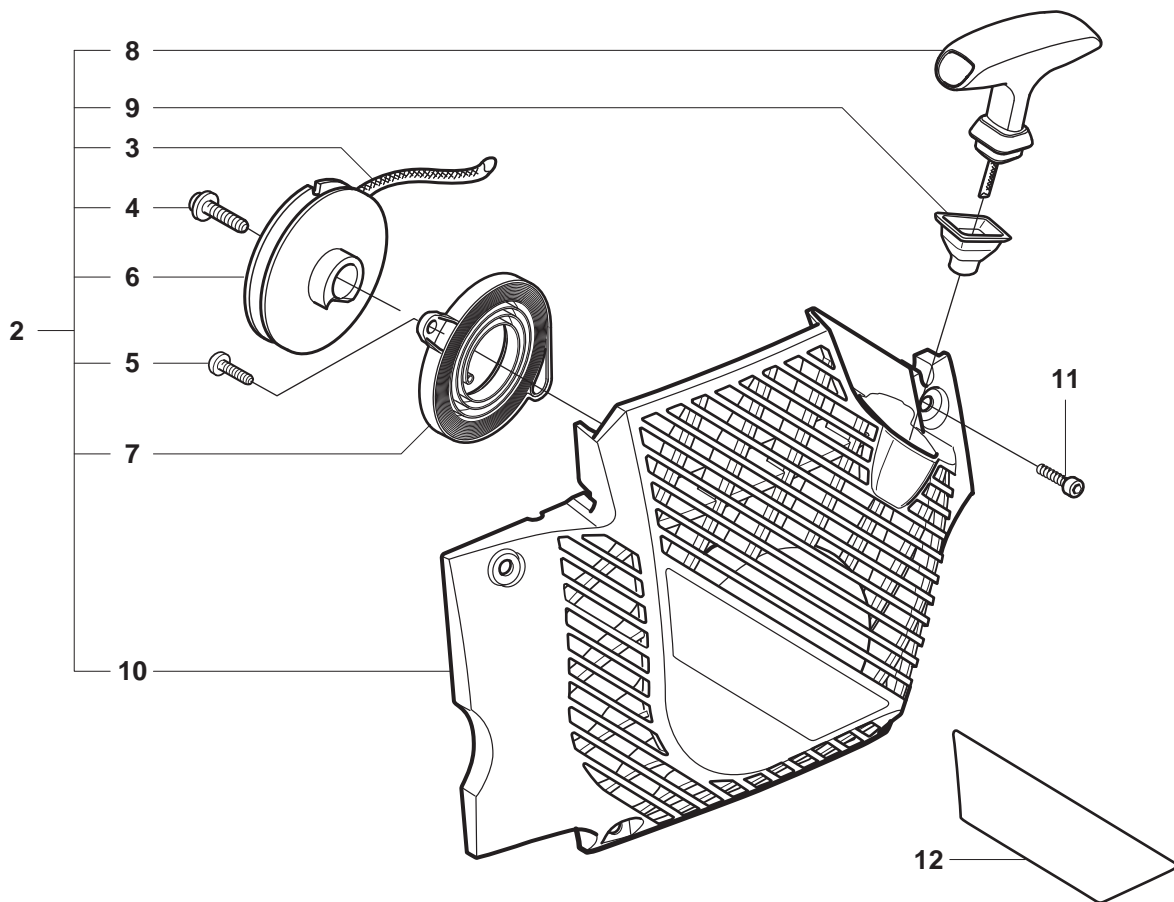
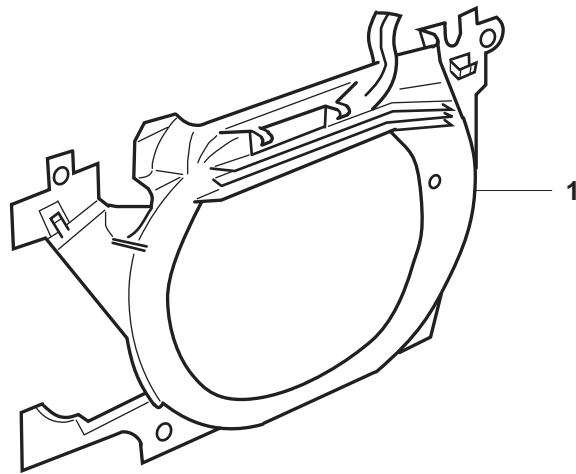
Page K
CS 2153/CS 2152

Pos.	Compl No.	Part No.	Quantity	Notes
1		503 21 88-76	3	
2		537 30 19-01	1	Std-version
2		537 30 19-02	1	W, WH-version
3	537 30 19-02	537 32 68-02	1	W, WH-version
4		503 92 24-02	1	
5		503 89 83-01	1	
6		503 21 88-72	2	



Page L
CS 2153/CS 2152

Pos.	Compl No.	Part No.	Quantity	Notes
1		503 89 87-02	1	
2	501 48 54-02	501 48 54-02	1	compl
3		544 04 70-01	1	
4		503 21 55-25	2	
5		537 33 02-01	1	W-version
5		537 33 02-02	1	WH-version
6		503 20 25-16	2	
7		503 22 04-01	1	
8		503 82 43-01	1	Std-version
8		503 82 43-02	1	W-version
8		503 82 43-03	1	WH-version
9	503 82 43-01	503 78 32-01	2	Std-version
9	503 82 43-02	503 78 32-01	2	W-version
9	503 82 43-03	503 78 32-01	2	WH-version
10	503 82 43-01	503 89 50-01	2	Std-version
10	503 82 43-02	503 89 50-01	2	W-version
10	503 82 43-03	503 89 50-01	2	WH-version
11	503 82 43-01	503 79 05-02	2	Std-version
11	503 82 43-02	503 79 05-02	2	W-version
11	503 82 43-03	503 79 05-02	2	WH-version
12		537 06 04-01	1	WH-version
13		537 18 99-01	1	WH-version
14		537 06 07-01	1	WH-version

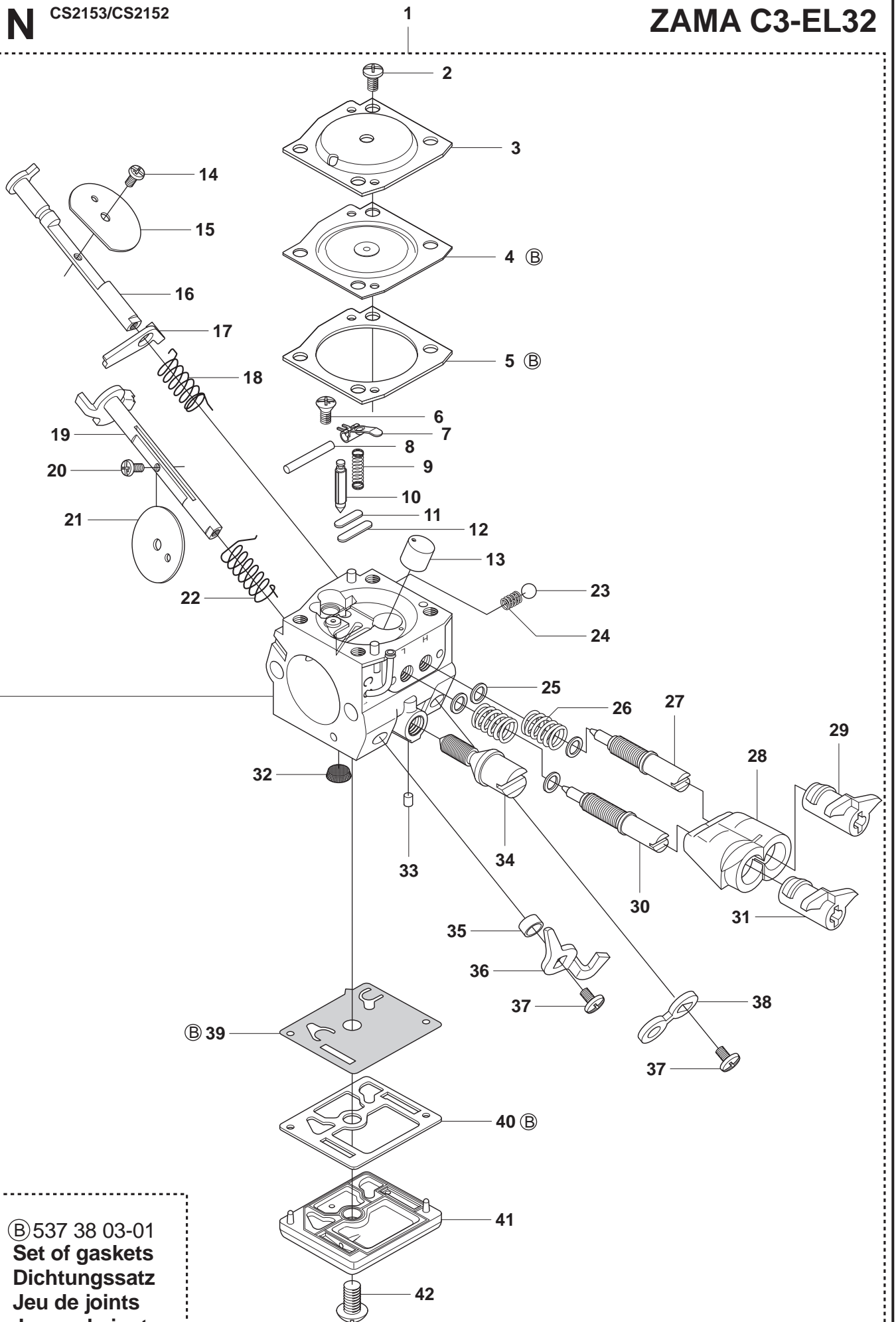


Page M
CS 2153/CS 2152

Pos.	Compl No.	Part No.	Quantity	Notes
1		503 89 06-01	1	
2		503 99 58-02	1	
3	503 99 58-02	505 30 51-25	1	
4	503 99 58-02	503 21 77-16	1	
5	503 99 58-02	503 21 29-10	2	
6	503 99 58-02	537 09 25-01	1	
7	503 99 58-02	537 09 31-01	1	
8	503 99 58-02	537 19 65-01	1	
9	503 99 58-02	537 28 32-01	1	
10	503 99 58-02	503 96 04-02	1	
11		503 20 34-19	4	
12		537 00 62-11	1	CS 2152
12		537 00 62-12	1	CS 2152 W
12		537 00 62-13	1	CS 2152 C
12		537 00 62-14	1	CS 2152 CWH
12		537 00 62-15	1	CS 2152 WH
12		537 00 62-24	1	CS 2153
12		537 00 62-25	1	CS2153 CWH
12		537 00 62-27	1	CS2153 C

N

CS2153/CS2152

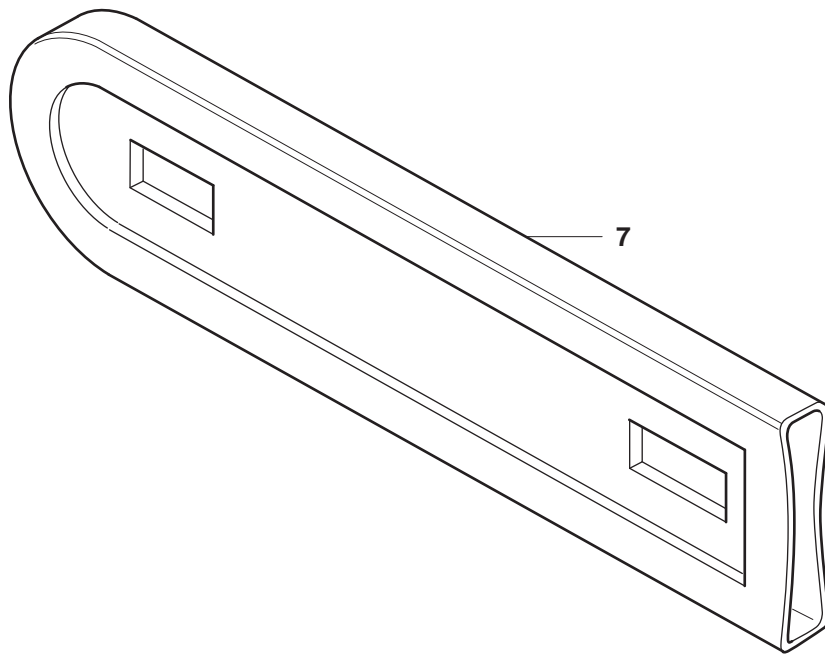
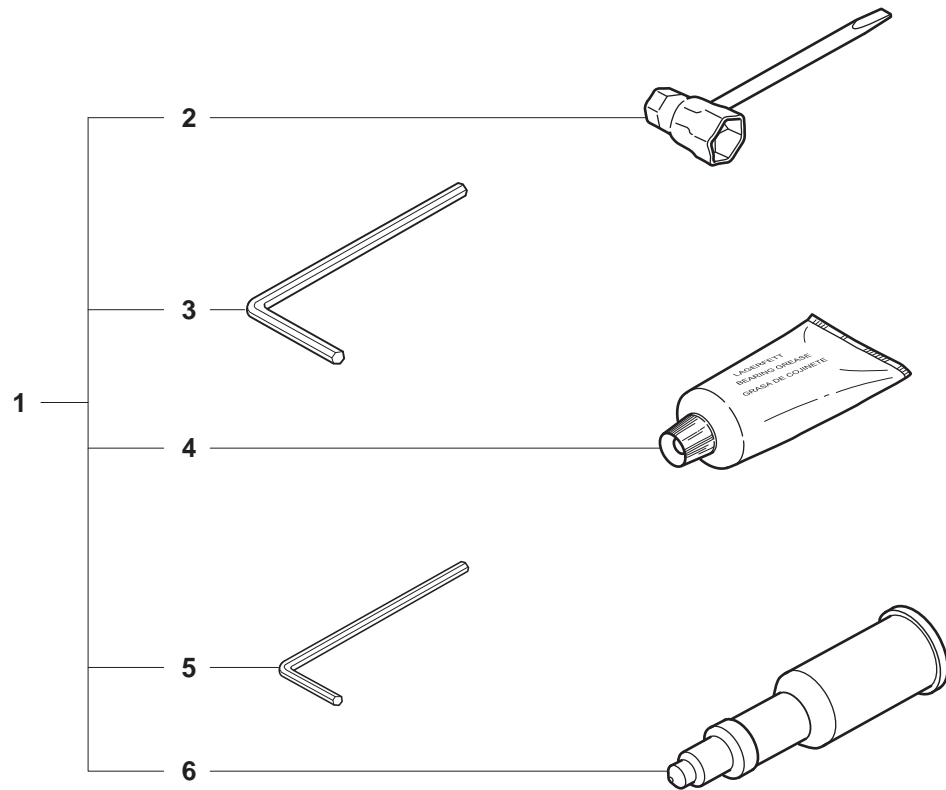
ZAMA C3-EL32

ⓑ 537 38 03-01
Set of gaskets
Dichtungssatz
Jeu de joints
Juego de juntas
Packningssats

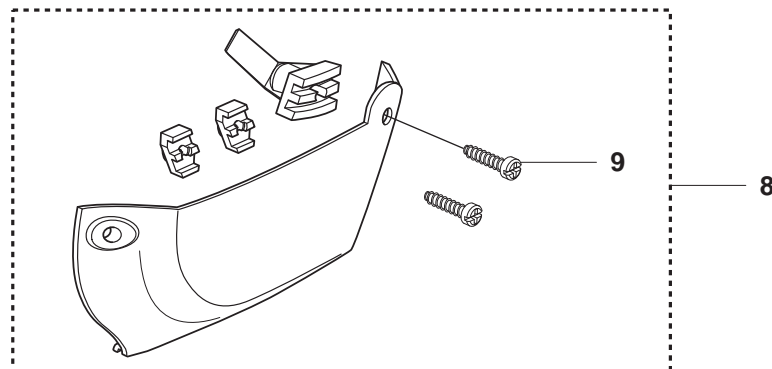
Page N
CS 2153/CS 2152

Pos.	Compl No.	Part No.	Quantity	Notes
1		503 28 32-10	1	
2	503 28 32-10	503 48 05-01	4	
3	503 28 32-10	537 17 60-01	1	
4	503 28 32-10	537 17 59-01	1	B
5	503 28 32-10	503 88 44-01	1	B
6	503 28 32-10	503 48 01-01	1	
7	503 28 32-10	537 17 64-01	1	
8	503 28 32-10	503 48 00-01	1	
9	503 28 32-10	537 17 63-01	1	
10	503 28 32-10	537 17 62-01	1	
11	503 28 32-10	537 17 78-01	1	
12	503 28 32-10	503 53 56-01	1	
13	503 28 32-10	537 41 61-01	1	
14	503 28 32-10	503 52 36-01	1	
15	503 28 32-10	544 05 66-01	1	
16	503 28 32-10	537 26 67-01	1	
17	503 28 32-10	544 05 67-01	1	
18	503 28 32-10	537 17 66-01	1	
19	503 28 32-10	537 26 63-01	1	
20	503 28 32-10	503 48 18-01	1	
21	503 28 32-10	537 26 66-01	1	
22	503 28 32-10	537 17 61-01	1	
23	503 28 32-10	537 01 25-01	1	
24	503 28 32-10	537 01 26-01	2	
25	503 28 32-10	503 90 31-01	4	
26	503 28 32-10	503 48 08-01	2	
27	503 28 32-10	537 17 85-01	1	
28	503 28 32-10	503 90 34-01	1	
29	503 28 32-10	503 90 33-01	1	
30	503 28 32-10	537 26 70-01	1	
31	503 28 32-10	503 90 32-01	1	
32	503 28 32-10	503 53 57-01	1	
33	503 28 32-10	503 48 11-01	1	
34	503 28 32-10	537 17 76-01	1	
35	503 28 32-10	503 48 19-01	1	
36	503 28 32-10	537 17 69-01	1	
37	503 28 32-10	503 47 90-01	2	
38	503 28 32-10	537 17 75-01	1	
39	503 28 32-10	537 38 02-01	1	B
40	503 28 32-10	503 61 66-01	1	B
41	503 28 32-10	537 17 68-01	1	
42	503 28 32-10	503 47 96-01	1	
B		537 38 03-01	1	Set of gaskets

P CS2153/CS2152
Tillbehör
Accessories
Zubehöre
Accessoires
Accesorios



P WINTER KIT

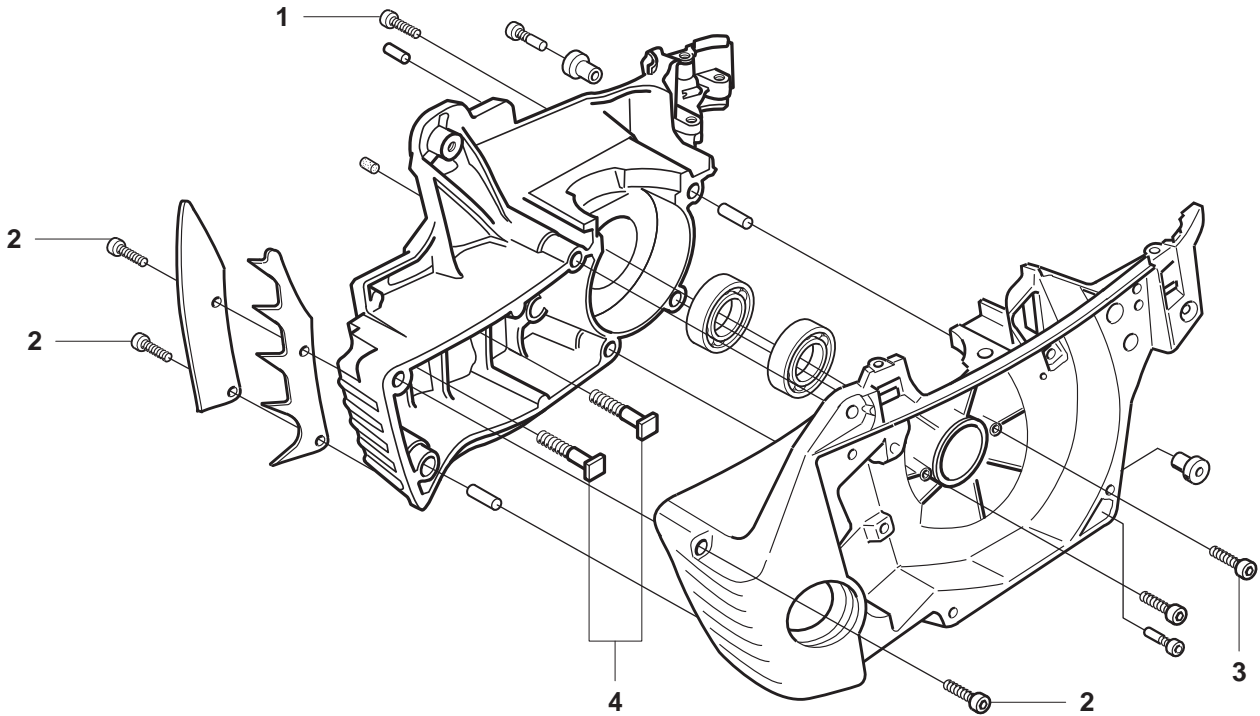


Page P
CS 2153/CS 2152

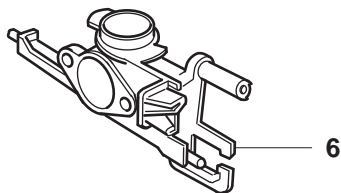
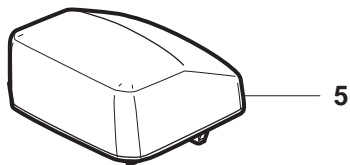
Pos.	Compl No.	Part No.	Quantity	Notes
1		503 55 85-01	1	
2	503 55 85-01	501 69 17-01	1	
3	504 55 85-01	503 55 86-02	1	
4	505 55 85-01	503 62 12-01	1	
5	506 55 85-01	503 55 86-01	1	
6	507 55 85-01	501 91 14-01	1	
7	508 55 85-01	501 83 44-02	1	13"-16"
7	509 55 85-01	501 83 44-05	1	18"-22"
8		537 16 25-01	1	
9	537 16 25-01	503 21 27-13	2	



Up to 030500001 (CS2152)



**Up to 033600001 (CS2147)
Up to 034200001 (CS2152)**

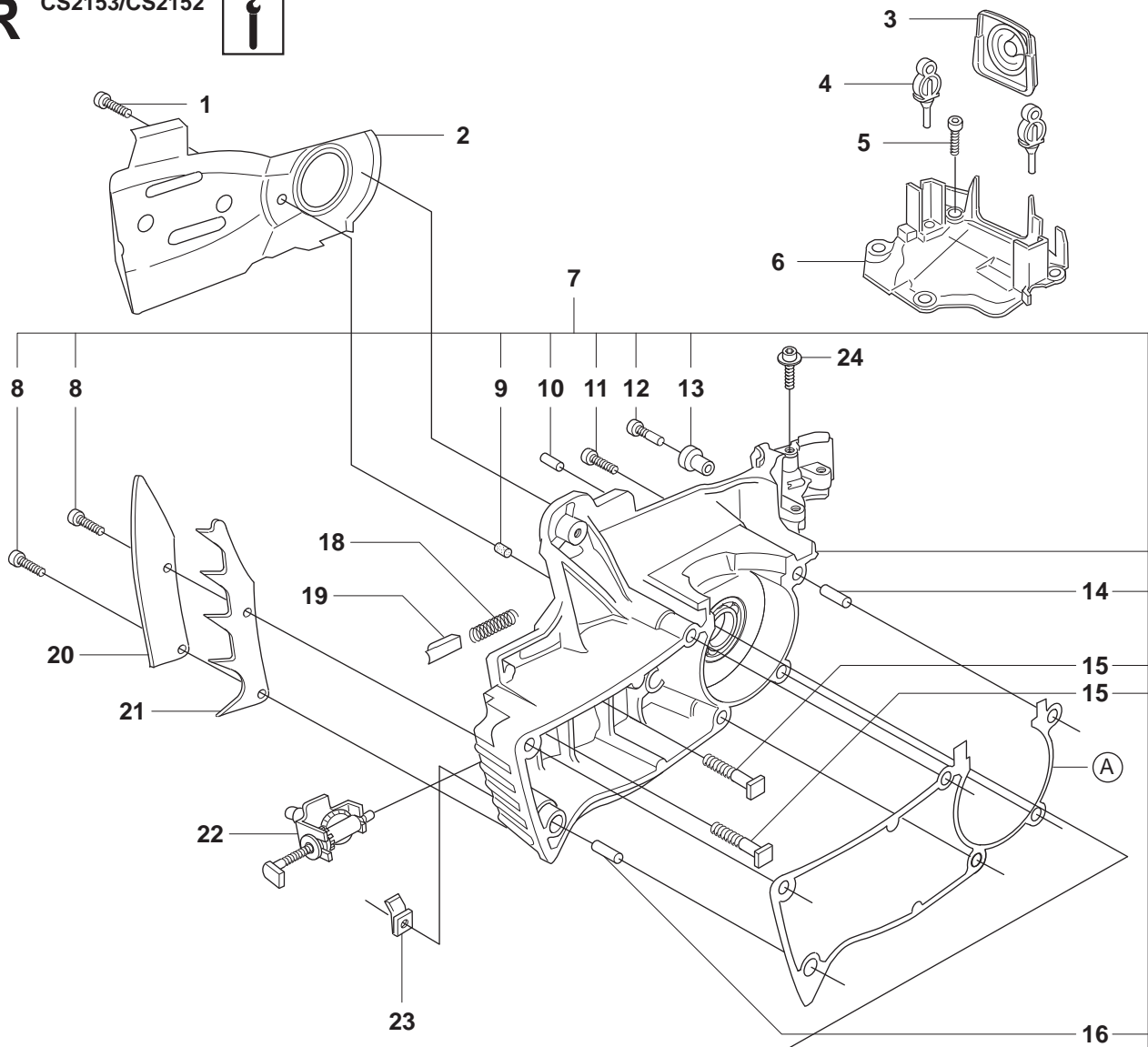


Page Q
CS 2153/2152

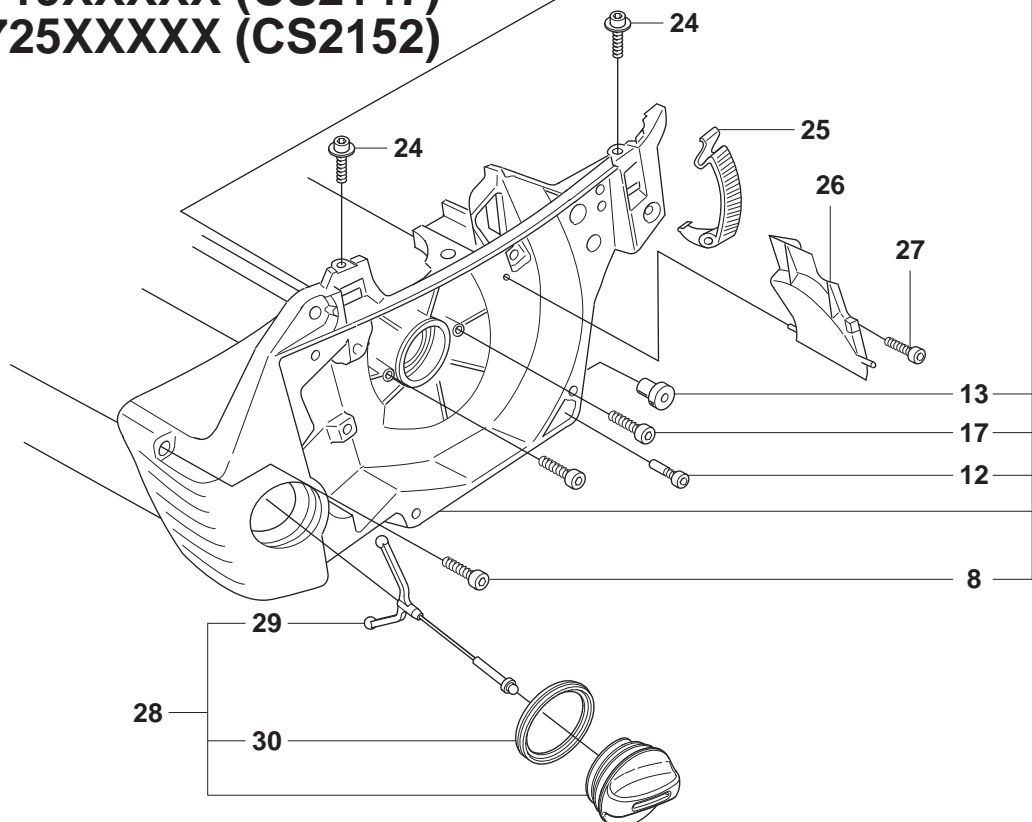
Pos.	Compl No.	Part No.	Quantity	Notes
1		503 21 74-32	6	mt5x32
2		503 21 75-20	3	mt5x20
3		503 21 71-16	2	
4		503 87 54-01	2	
5		537 02 40-01	1	NYLON 80my Black
5		537 02 40-02	1	NYLON 44my Yellow
5		537 02 40-03	1	FELT White
6		503 86 94-01	1	

R

CS2153/CS2152



Up to 0719XXXX (CS2147)
Up to 0725XXXX (CS2152)



Page R
CS 2153/CS 2152

Pos.	Compl No.	Part No.	Quantity	Notes
1		503 21 74-12	2	
2		503 87 56-01	1	
3		537 14 65-01	1	
4		503 86 93-01	2	
5		503 21 75-12	4	
6		503 89 66-04	1	
7		537 17 19-04	1	
8	537 17 19-04	503 20 07-76	3	
9	537 17 19-04	537 04 03-01	1	
10	537 17 19-04	721 12 07-30	1	
11	537 17 19-04	503 20 08-70	6	
12	537 17 19-04	503 21 51-01	2	
13	537 17 19-04	503 86 92-01	2	
14	537 17 19-04	503 90 56-01	1	
15	537 17 19-04	503 87 54-01	2	
16	537 17 19-04	503 90 56-01	1	
17	537 17 19-04	503 20 25-16	2	
18		503 43 65-01	1	
19		503 89 24-01	1	
20		503 93 04-01	1	
21		503 90 59-01	1	
22		537 07 12-01	1	
23		503 88 63-01	1	
24		503 21 39-01	3	
25		503 89 47-02	3	
26		503 88 86-01	1	
27		503 21 74-12	1	
28		537 28 15-01	1	
29	537 28 15-01	503 57 89-01	1	
30	537 28 15-01	501 62 68-01	1	
A		503 94 28-02	1	Set of gaskets