

CS2186, CS 2186 EPA

Spare parts

Ersatzteile

Pièces détachées

Reserve onderdelen

Repuestos

Reservdelar

A

*compl 537 19 57-01

503 20 07-12 (x4)



503 98 74-01*

503 20 25-12

537 01 67-01

503 43 65-01

503 83 81-02

537 00 87-02

**compl 537 07 20-02

503 22 00-01 (x2)

503 21 28-10

503 71 97-01

**537 04 41-02

740 48 07-02

503 23 00-63

537 07 94-01

503 23 00-66

537 07 95-01

503 99 83-01

537 01 74-01

537 01 68-01

**537 07 20-71

537 24 43-01

503 21 28-10

503 89 70-01

503 76 29-02

Jonsered
TURBO

503 21 28-10** (x2)

537 19 06-01**

503 21 28-10**

A

*compl 537 33 10-02 WA

503 21 28-10

*537 03 38-02

WA 503 92 27-01

*503 21 28-10 (x2)

*537 17 41-01

503 21 28-10*

537 04 34-01*

*537 04 41-02

537 01 74-01

503 99 83-01

537 07 95-01

503 23 00-66

740 48 07-02

503 23 00-63

537 07 94-01

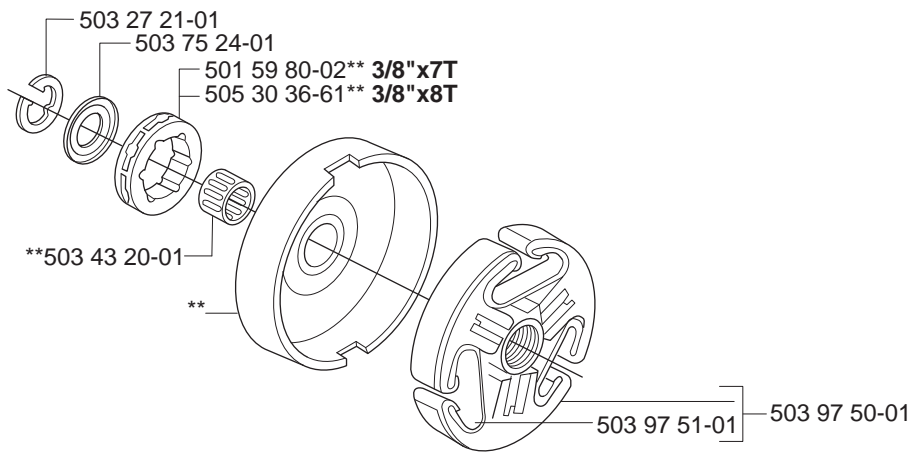
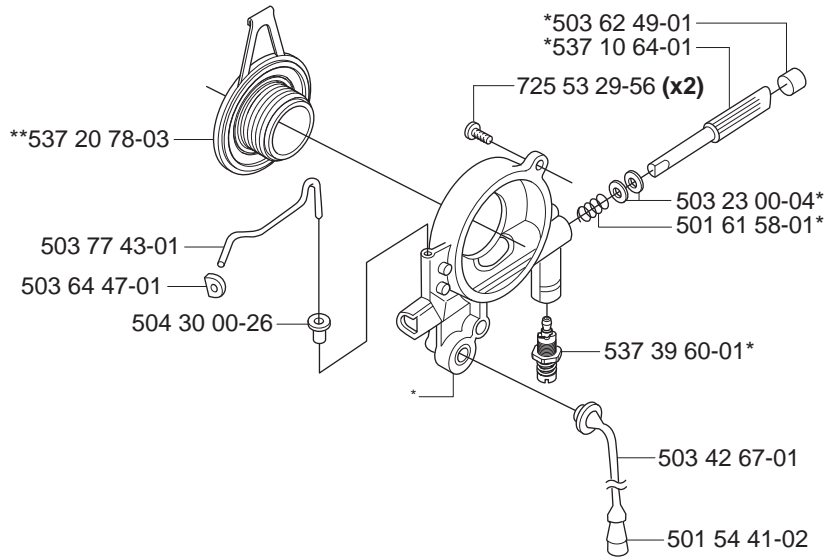
537 01 68-01

*503 21 28-10 (x2)

B

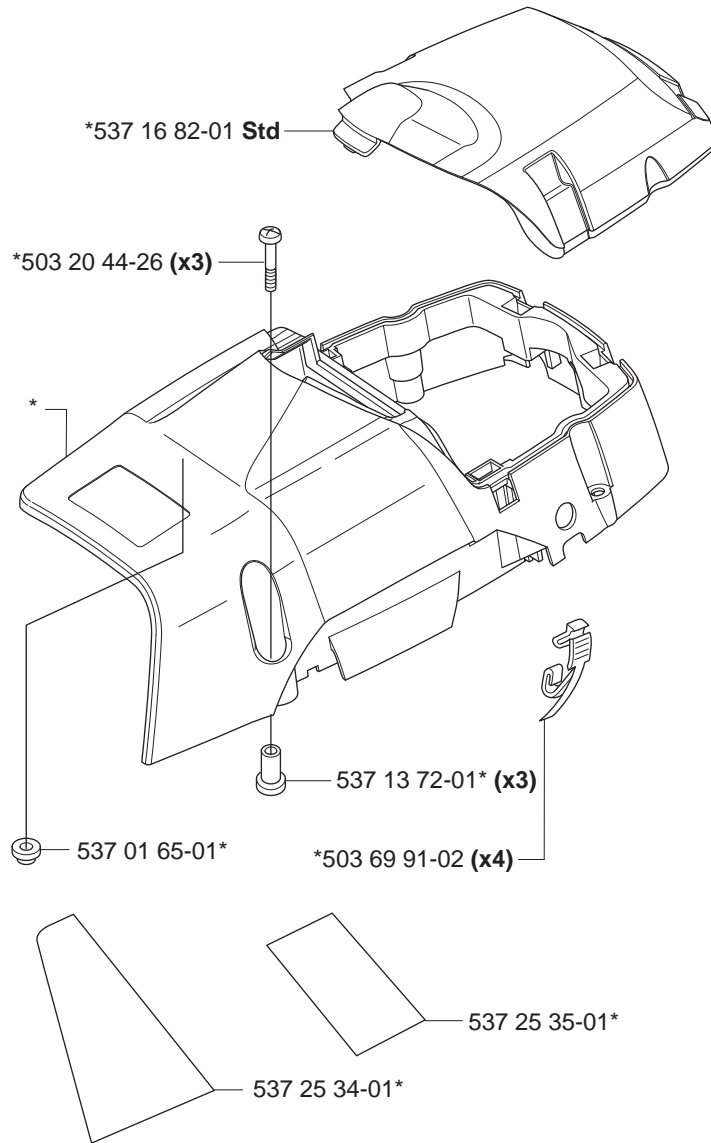
**compl 537 13 79-71 (3/8"x7T)
**compl 537 13 79-72 (3/8"x8T)

*compl 503 52 13-05



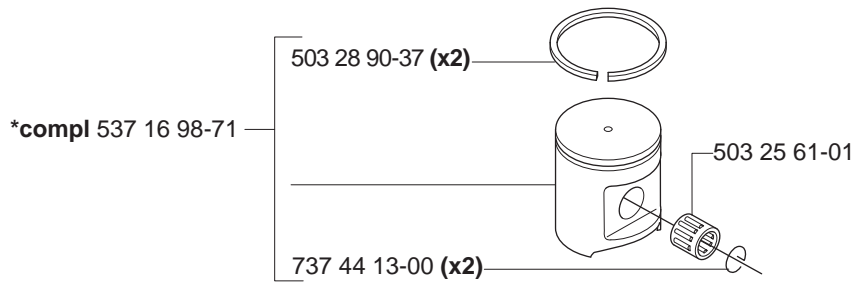
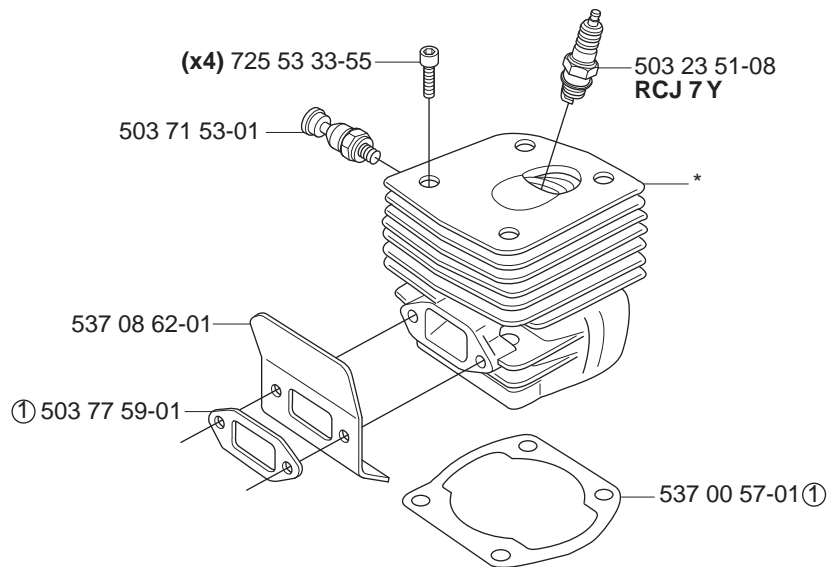
C

***compl 537 16 80-01 Std**



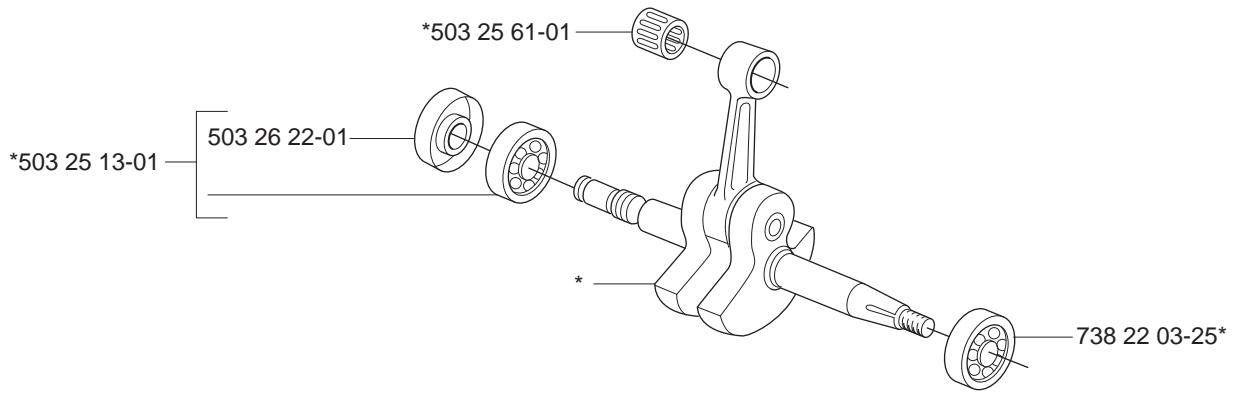
D

*compl 537 16 97-71

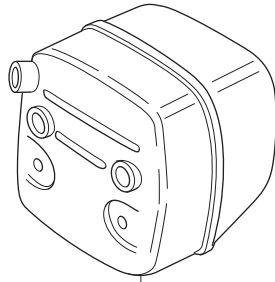


E

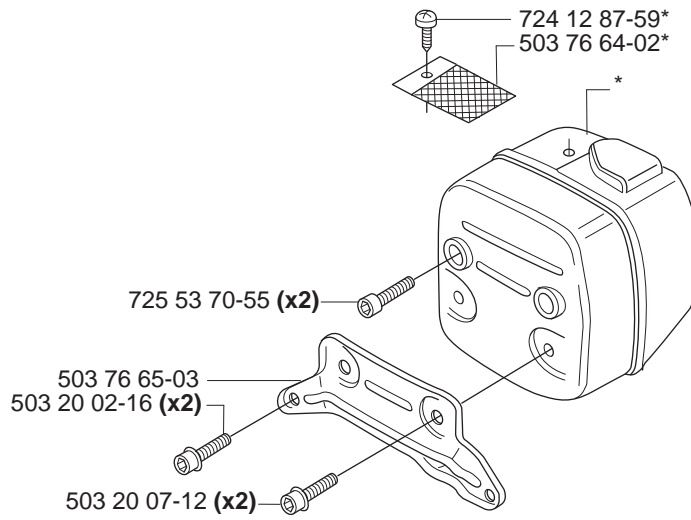
*compl 503 99 34-04



F compl 503 95 90-03 Jungle
*compl 503 95 90-04 DF



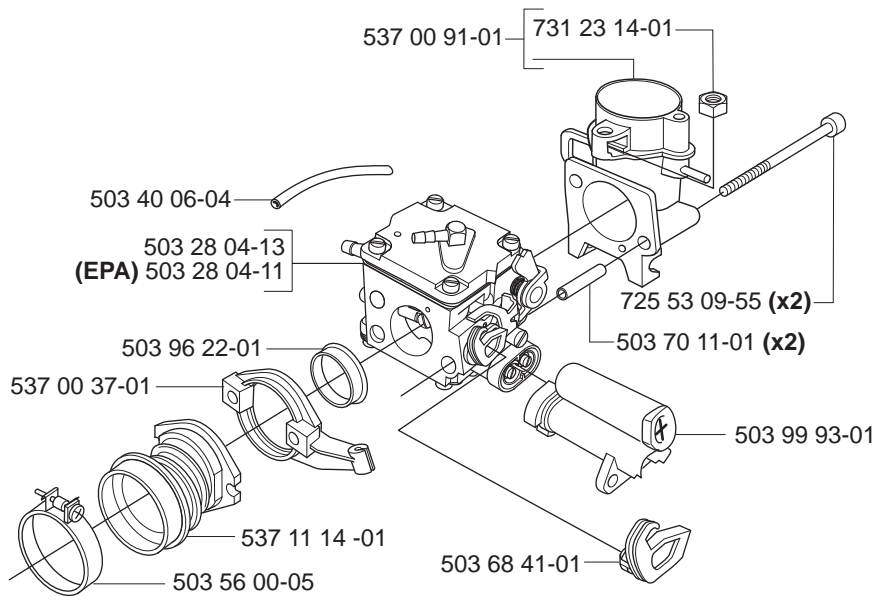
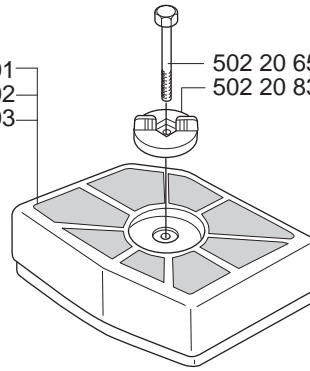
503 95 91-01 Tube



G

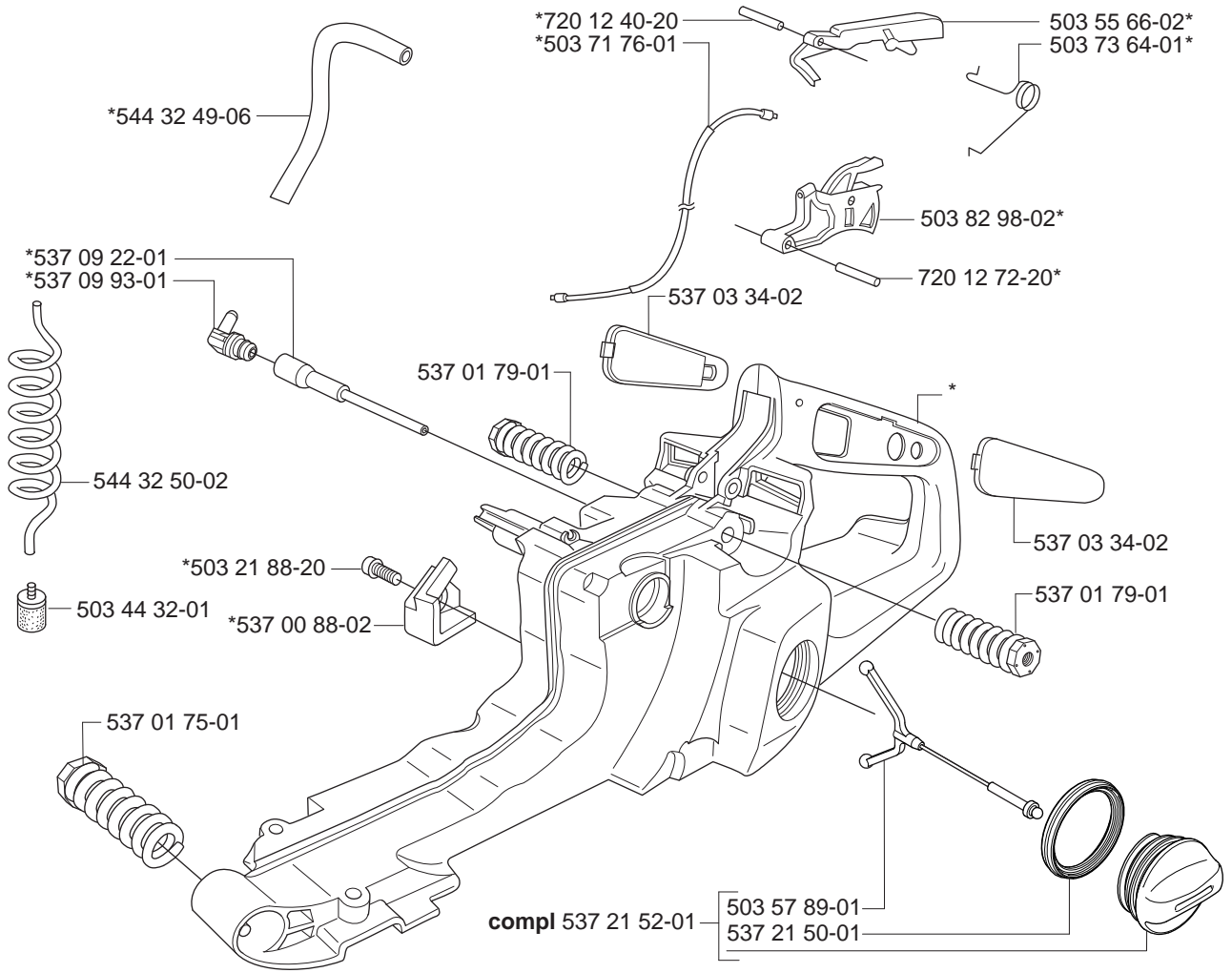
80 μ 537 01 47-01
44 μ 537 01 47-02
Felt 537 01 47-03

502 20 65-01
502 20 83-02



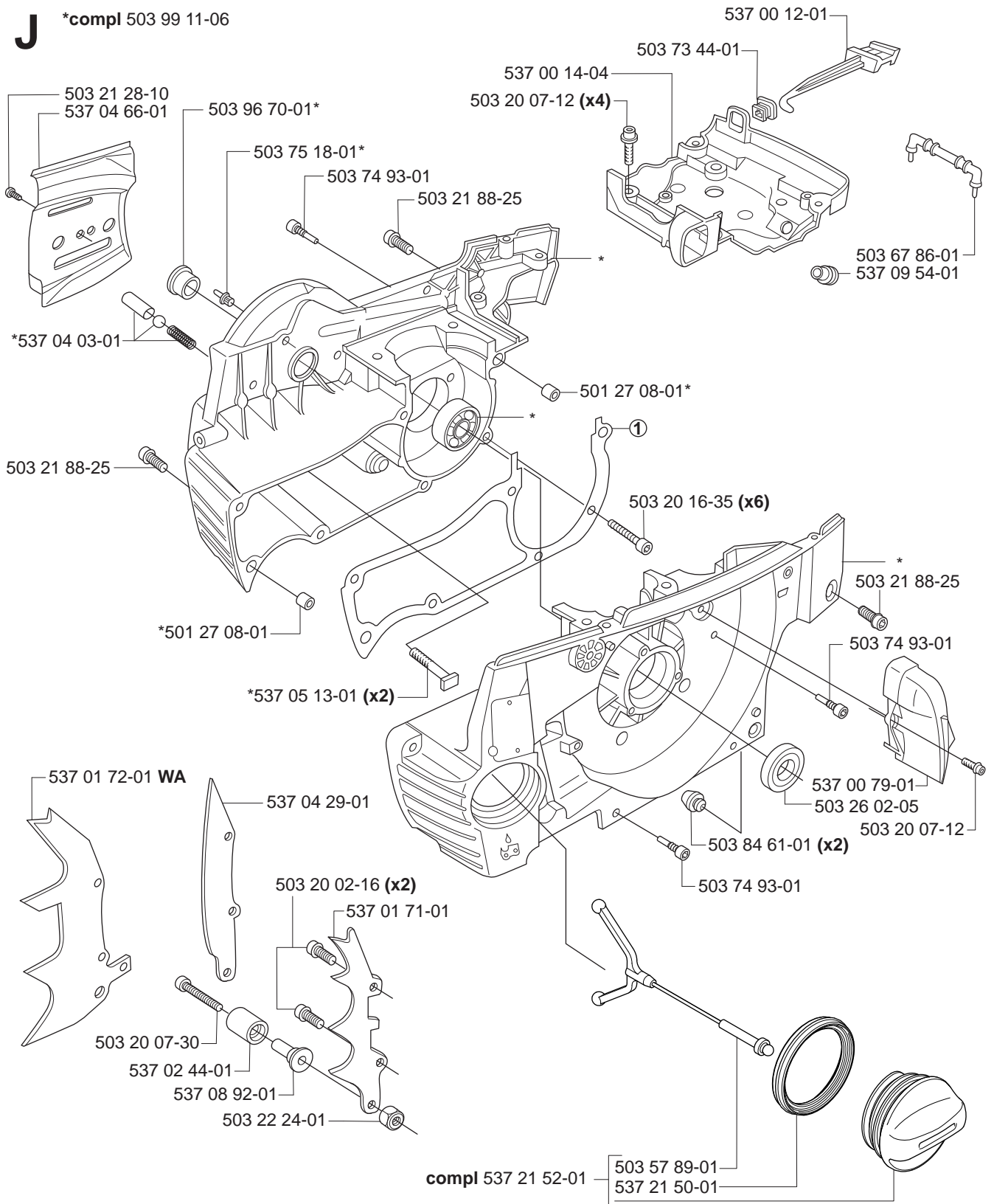
H

*compl 537 00 03-72

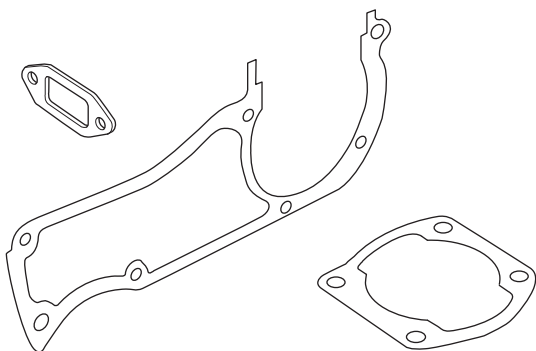


J

*compl 503 99 11-06

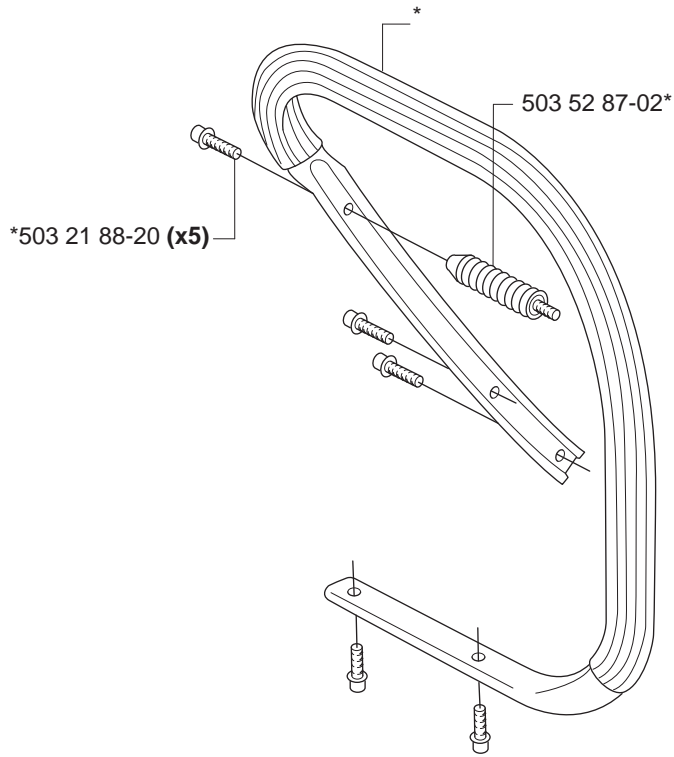


① 537 03 39-01
Packningssats
Set of gaskets
Dichtungssatz
Jeu de joints
Juego de juntas



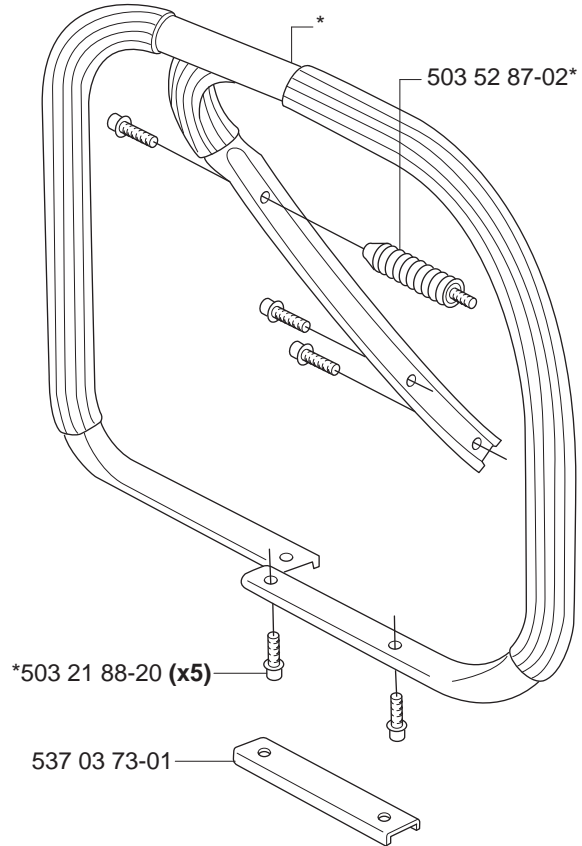
K

*compl 537 16 78-71
*compl 537 16 78-72 (W)

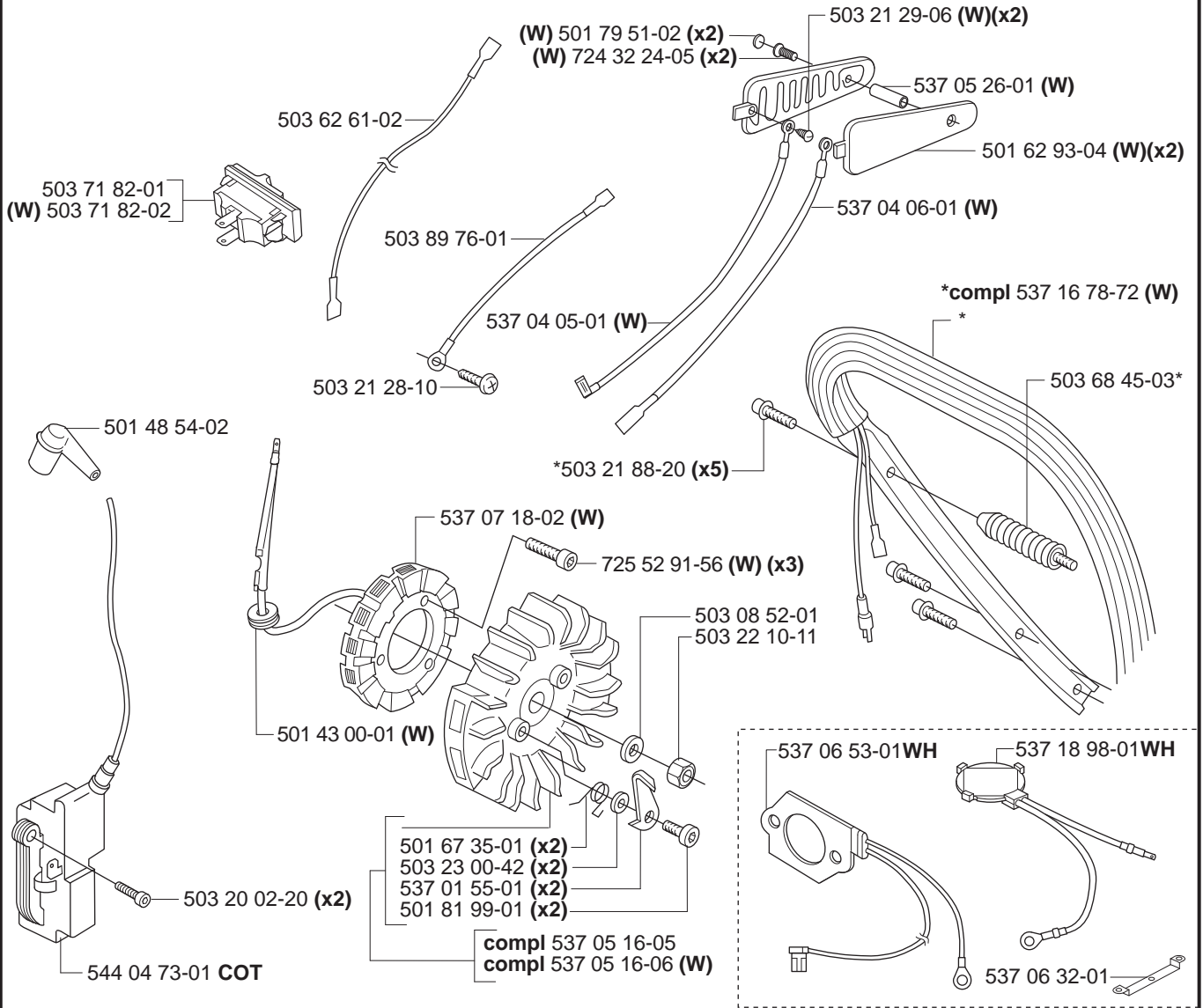




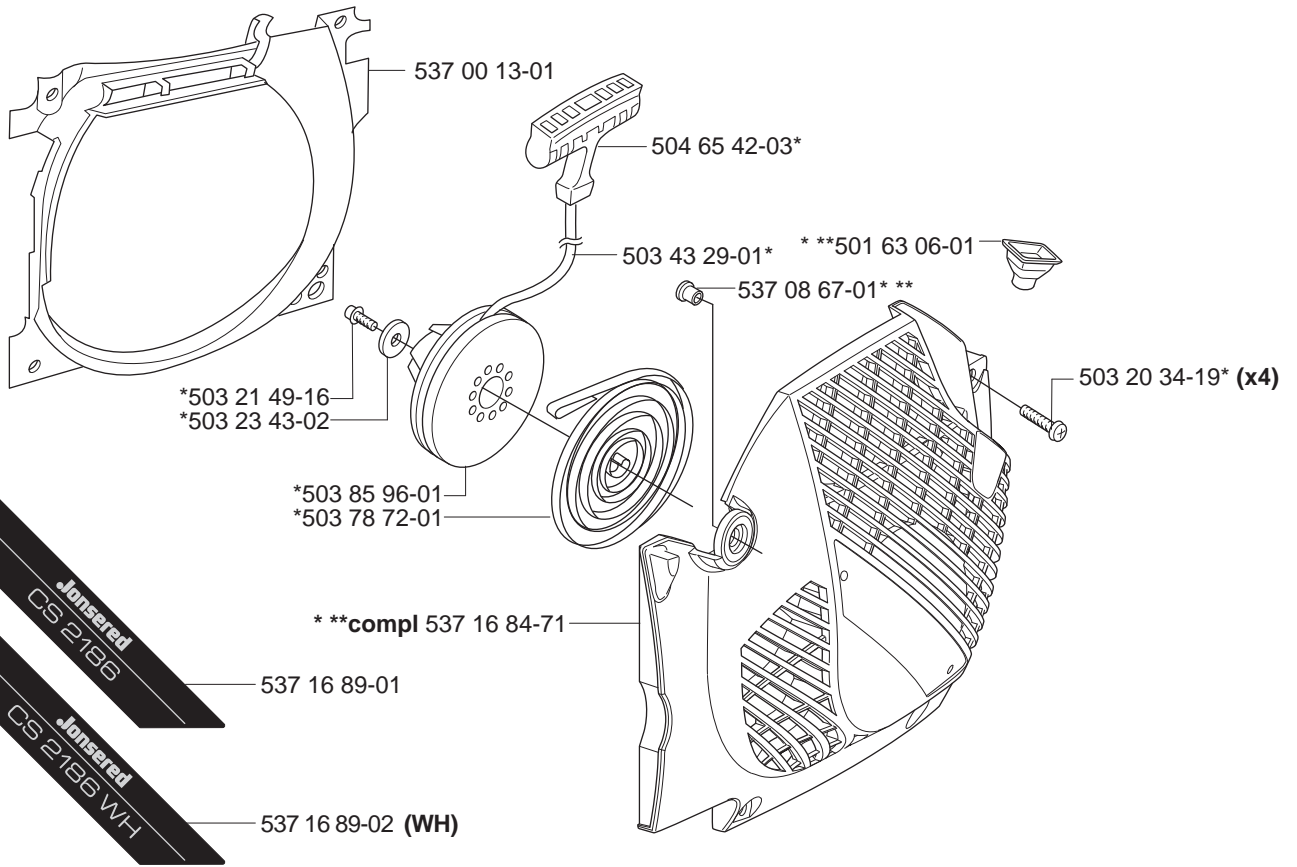
*compl 537 16 79-01 WA



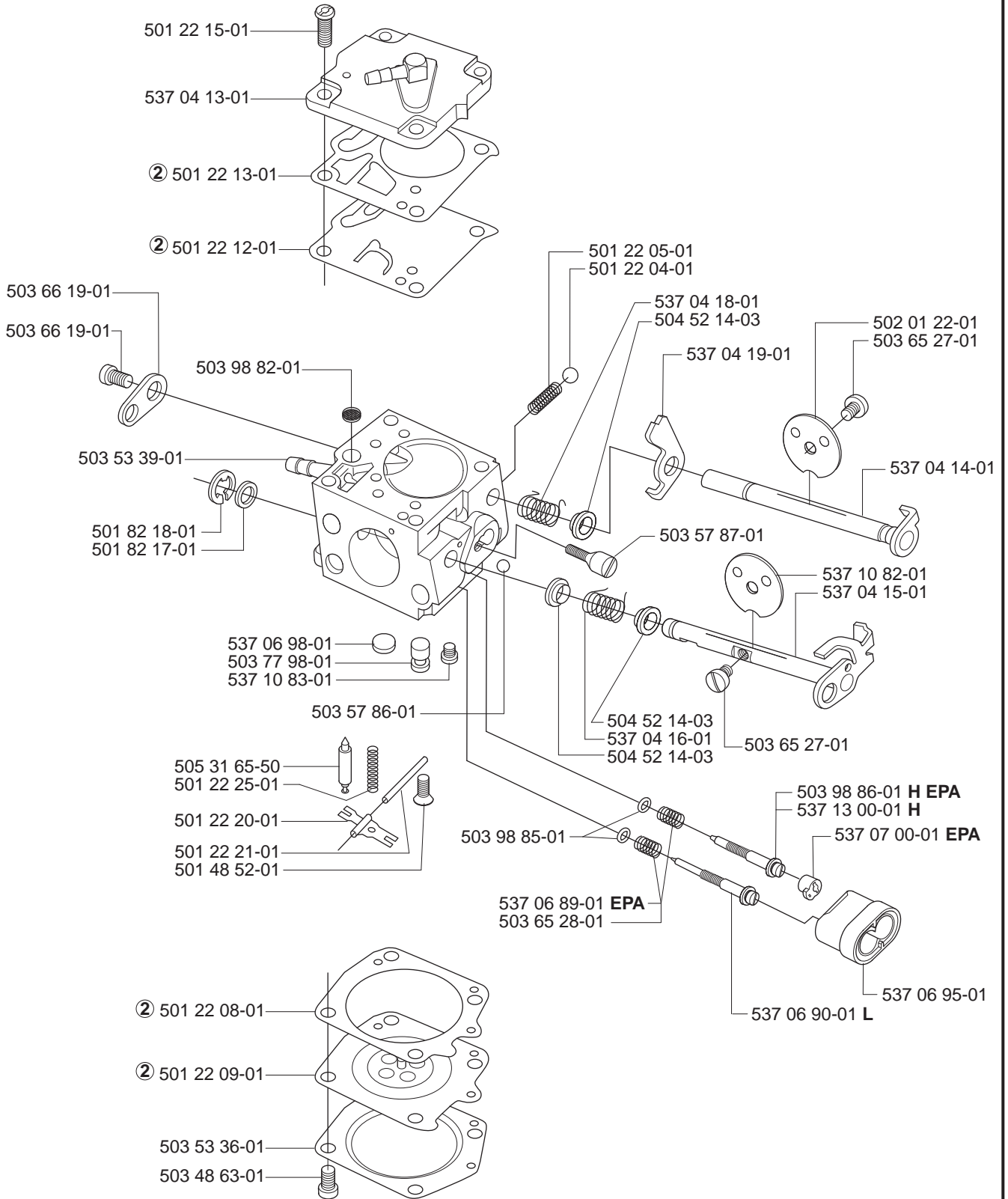
M



N *compl 537 16 83-71



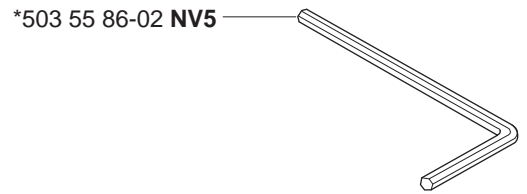
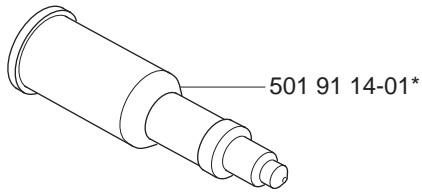
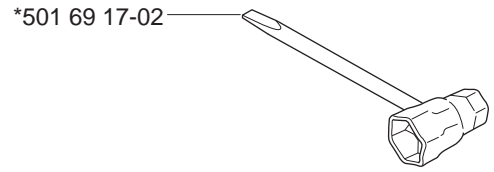
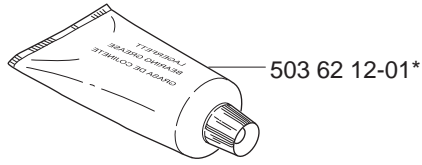
Tilotson HS 299A Tilotson HS 296A EPA



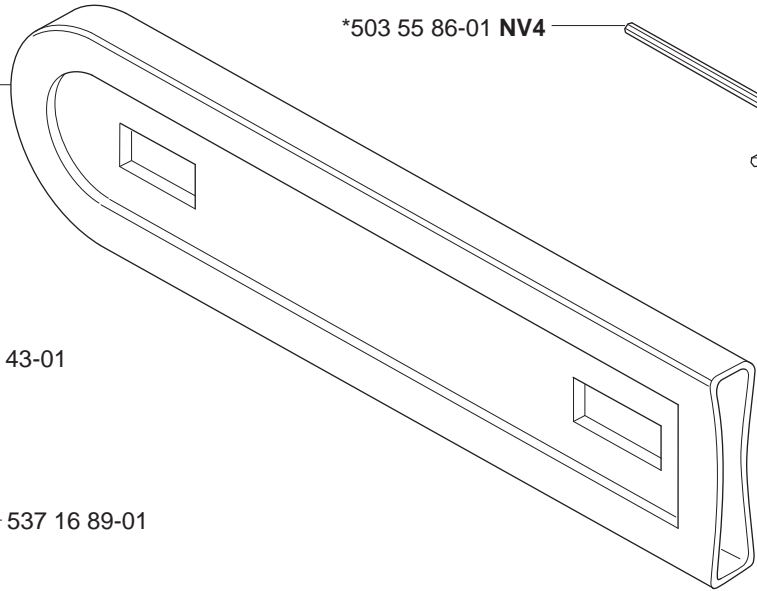
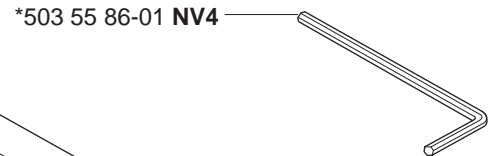
② 501 49 48-02
Packningssats
Set of gaskets
Dichtungssatz
Jeu de joints
Juego de juntas

Q Accessories
Zubehöre
Accessories
Accesorios
Tillbehör

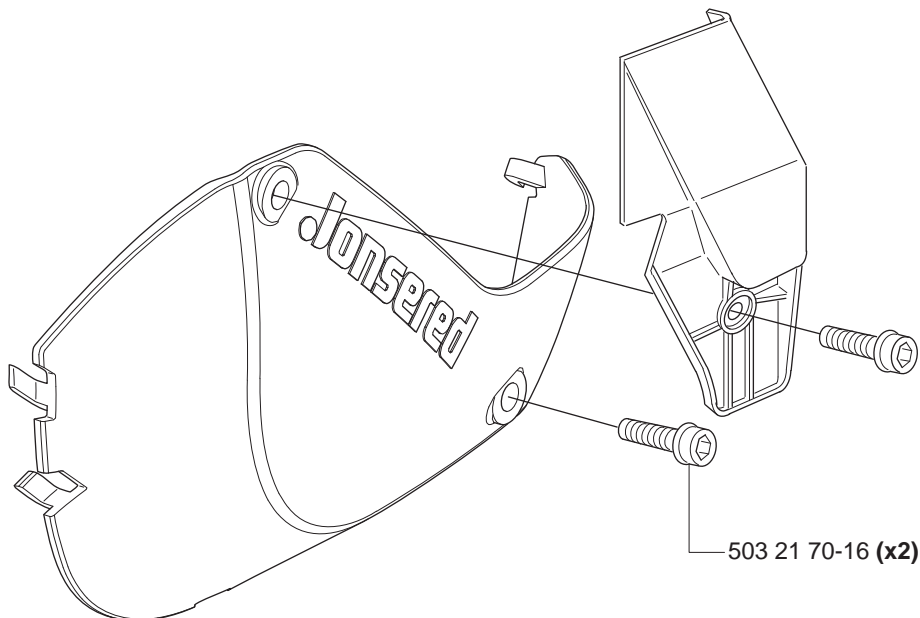
*compl 503 55 85-01



501 83 44-02 13"-16"
 501 83 44-05 18"-22"
 501 83 45-02 24"-28"



Q WINTER KIT
 compl 537 20 11-01





Up to 060600001.

*compl 503 52 13-02

