

LT2115CM

Spare parts

Ersatzteile

Pièces détachées

Reserve onderdelen

Repuestos

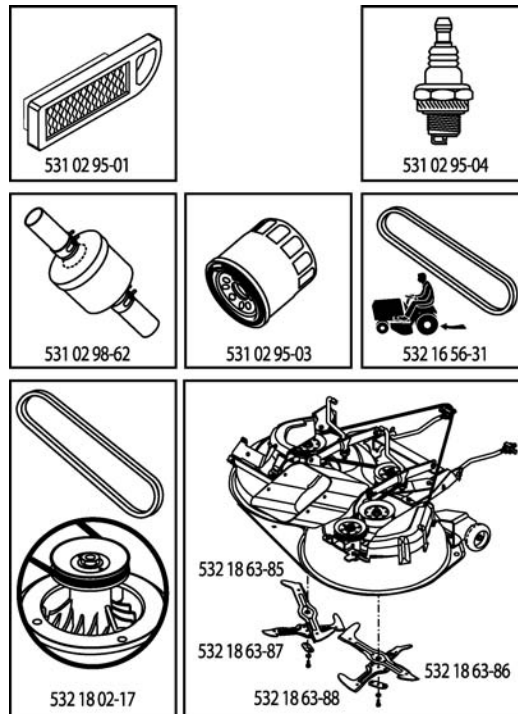
Reservdelar

ILLUSTRATED PARTS LIST

MFG. ID NO. 96061008101

CUSTOMER CATALOG NO. LT2115CM

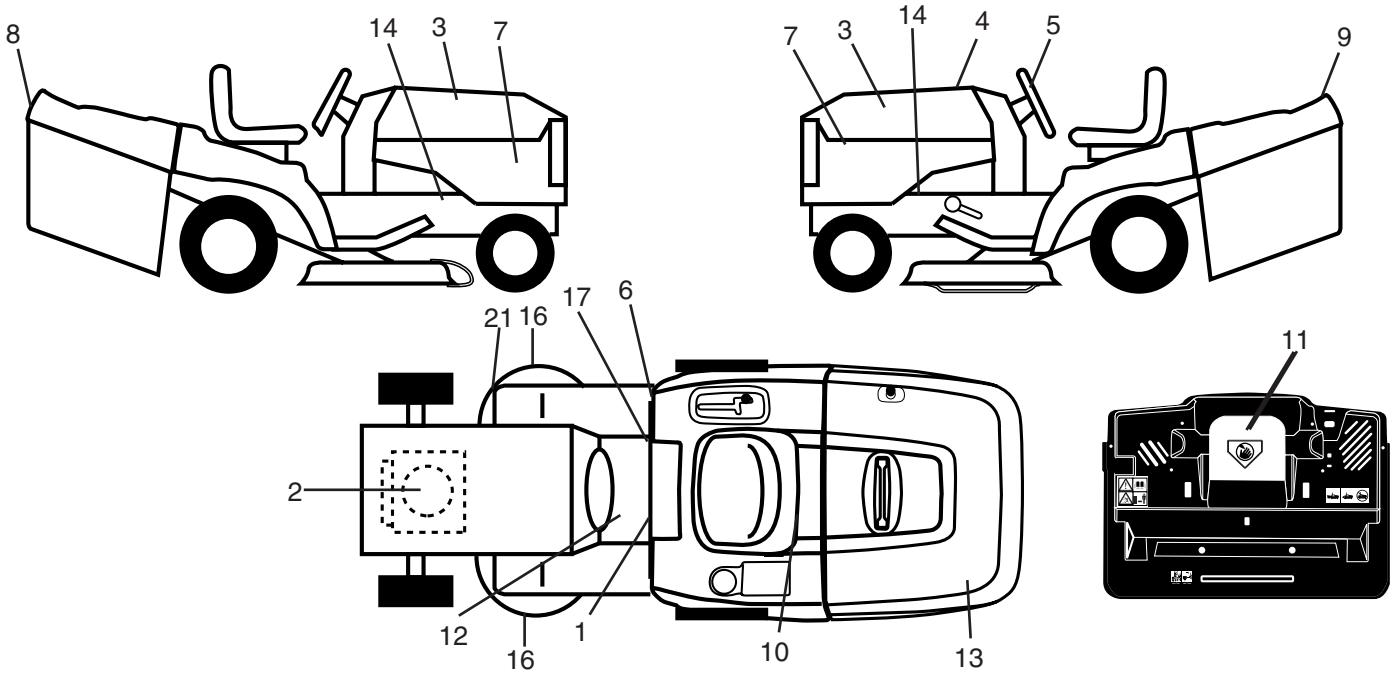
PRODUCT NO. 960 61 00-81



401023

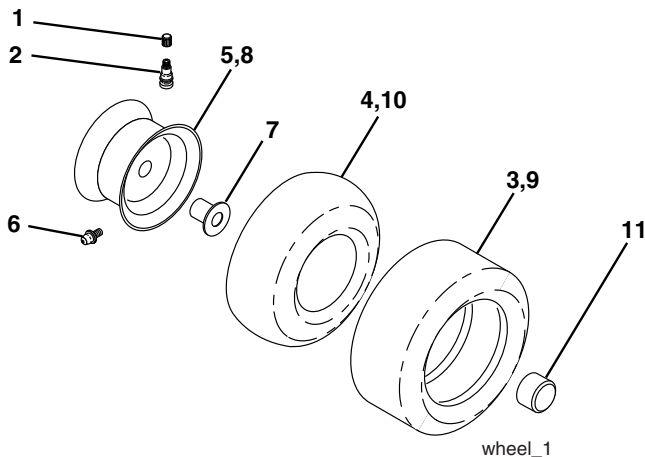
REPAIR PARTS

TRACTOR- -MODEL NO. LT2115CM (96061008101), PRODUCT NO. 960 61 00-81
DECALS



KEY NO.	PART NO.	DESCRIPTION	KEY NO.	PART NO.	DESCRIPTION
1	532 40 03-89	Decal, Warning Sym. CE	13	532 18 39-31	Decal, Bagger
2	532 19 68-41	Decal, Warning Eng. Sym.	14	532 15 97-36	Decal, Chassis Hot Muffler
3	532 18 95-53	Decal, Hood	15	532 40 11-46	Decal, Warning Service/Fire
4	532 40 10-23	Decal, Replacement	16	532 19 68-42	Decal, Warning Cutfinger
5	532 18 57-73	Decal, Wheel Steering	17	532 14 08-37	Decal, Saddle Brake Parking
6	532 18 04-32	Decal, 100 DBA	21	532 16 62-86	Decal, Hex Belt Sch 92 CRD
7	532 18 88-76	Decal, Hood	--	532 13 83-11	Decal, Lift Handle
8	532 18 88-26	Decal, Cover Fender	--	532 18 04-35	Decal, Rear Plate CRD Symbols
9	532 18 39-30	Decal, Fender Logo	--	532 18 10-90	Pad, Footrest RH
10	532 14 50-05	Decal, Bat Dan/Poi P/L Sym Wpn	--	532 18 10-91	Pad, Footrest LH
11	532 18 21-66	Decal, Mower Cut Finger Symbol	--	532 40 10-38	Manual, Operator's (Euro)
12	532 15 97-37	Decal, Brake/Clutch Symbol Lt			

WHEELS & TIRES



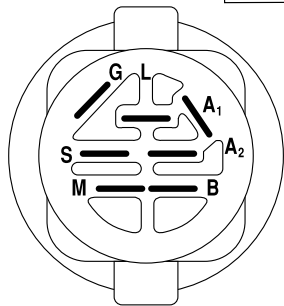
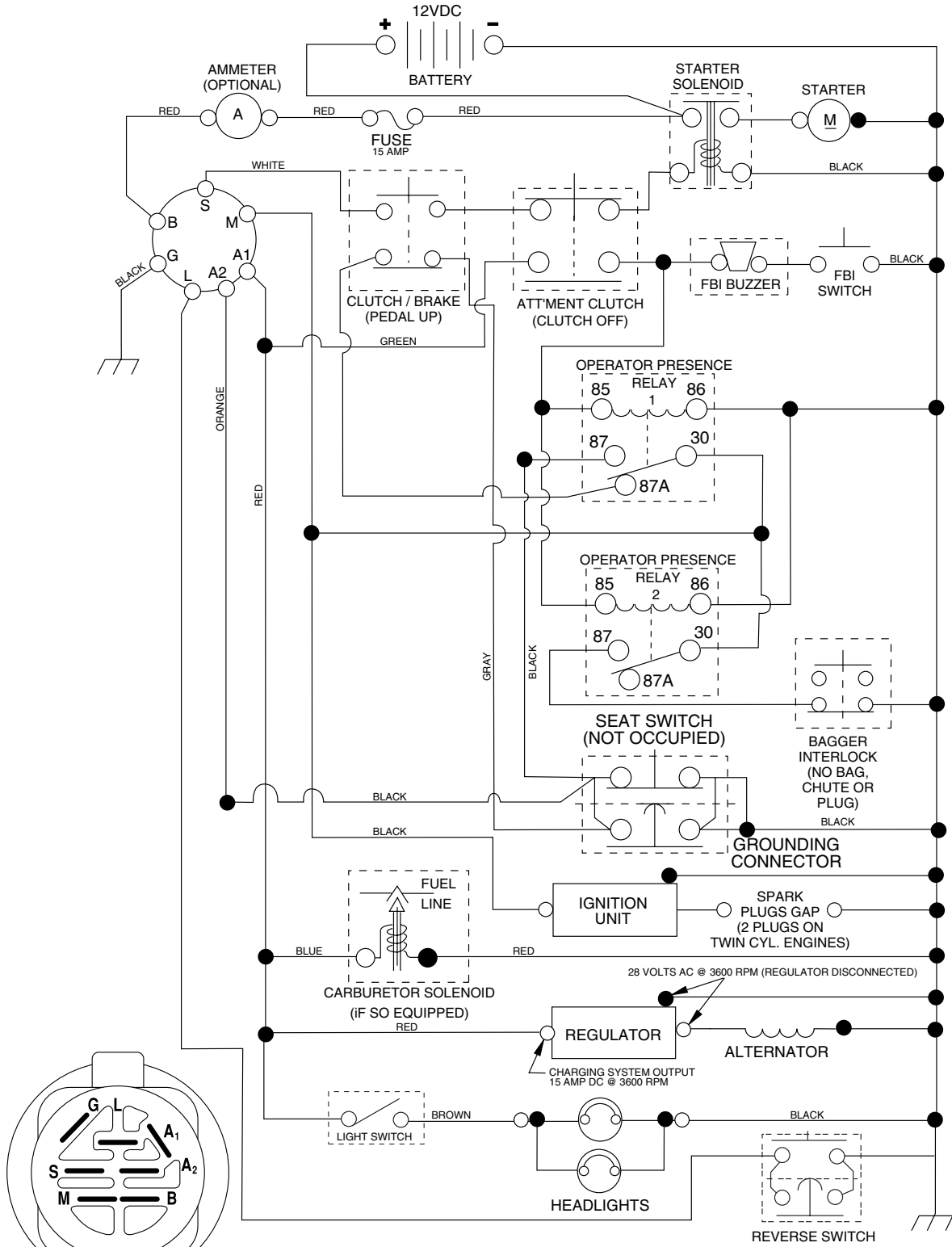
KEY NO.	PART NO.	DESCRIPTION
1	532 05 91-92	Cap Value Tire
2	532 06 51-39	Stem Value
3	532 10 62-22	Tire F Ts 15 x 6 0 - 6 Service
4	532 05 99-04	Tube Inner Front #35060
5	532 13 83-36	Rim Asm 6" front Silver Service
6	532 12 49-57	Fitting Grease
7	532 12 49-59	Bearing Flange
8	532 13 83-37	Rim Asm 8" rear Silver Service
9	532 10 62-68	Tire R Ts 18 x 9-8 Service
10	532 12 49-26	Tube Rear 9 5 x 8 Service
11	532 17 50-39	Cap Axle Blk 1 50 x 1 00
--	532 14 43-34	Sealant, Tire (10 oz. tube)

NOTE: All component dimensions given in U.S. inches
1 inch = 25.4 mm

wheel_1

TRACTOR- -MODEL NO. LT2115CM (96061008101), PRODUCT NO. 960 61 00-81 SCHEMATIC

03050_197436 (WITH LIGHTS)



IGNITION SWITCH

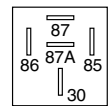
POSITION	CIRCUIT "MAKE"
OFF	M+G+A1
RUN/OVERRIDE	B+A1
RUN	B+A1 L+A2
START	B + S + A1

WIRING INSULATED CLIPS

NOTE: IF WIRING INSULATED CLIPS WERE REMOVED FOR SERVICING OF UNIT, THEY SHOULD BE REPLACED TO PROPERLY SECURE YOUR WIRING.



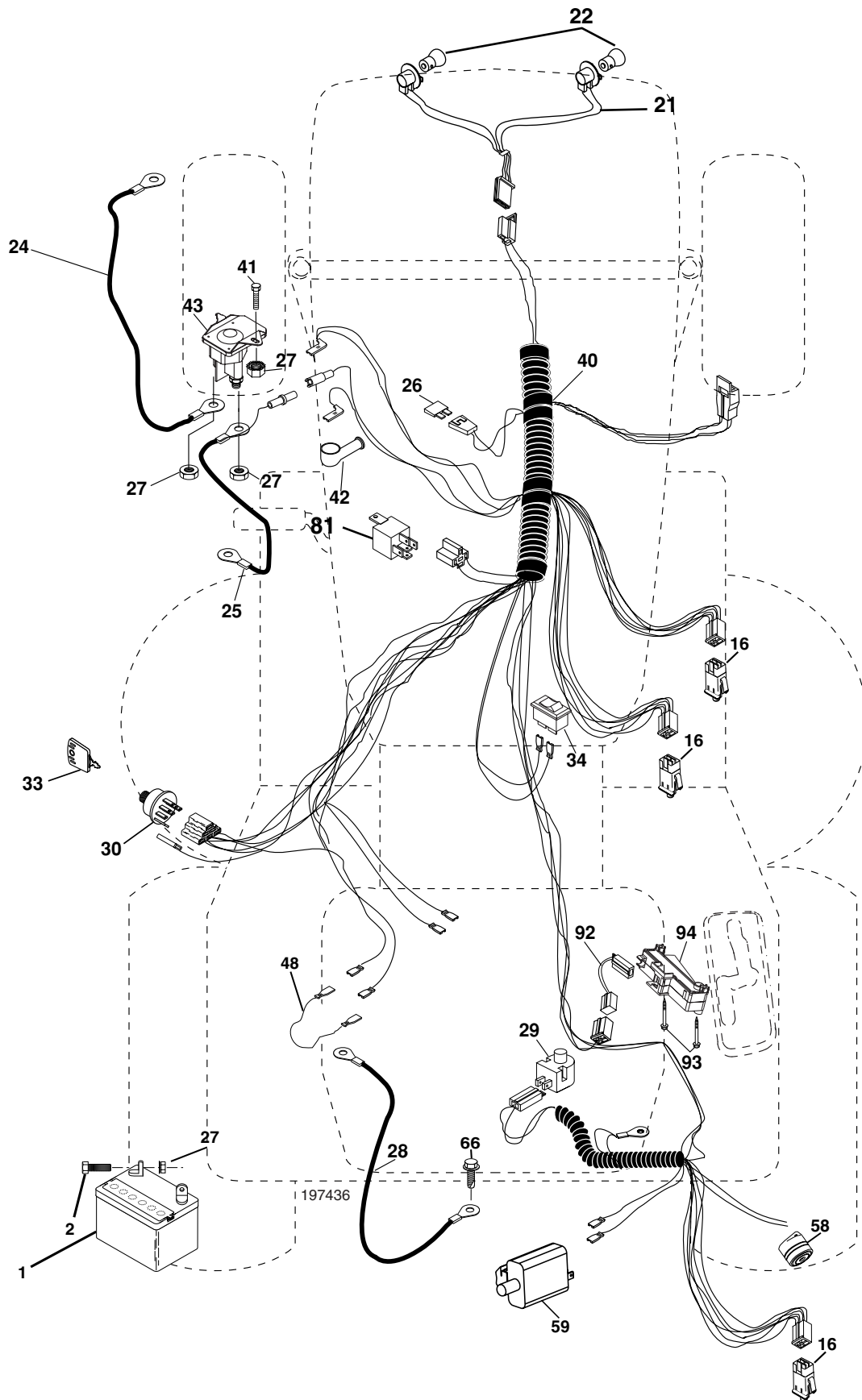
NON-REMOVABLE CONNECTIONS



RELAY

REPAIR PARTS

TRACTOR--MODEL NO. LT2115CM (96061008101), PRODUCT NO. 960 61 00-81
ELECTRICAL



REPAIR PARTS

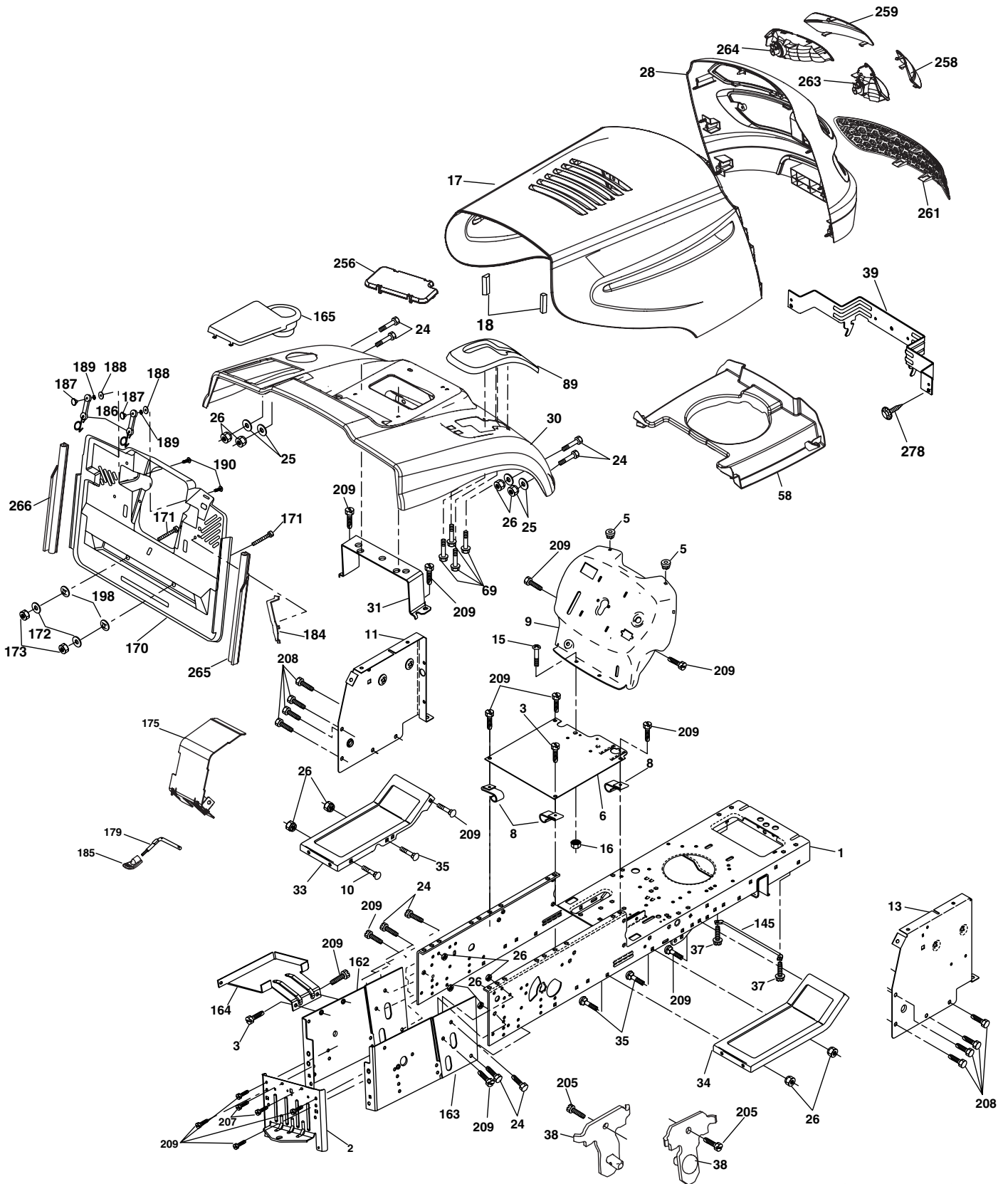
TRACTOR- -MODEL NO. LT2115CM (96061008101), PRODUCT NO. 960 61 00-81
ELECTRICAL

KEY NO.	PART NO.	DESCRIPTION
1	532 14 49-27	Battery
2	874 76 04-12	Bolt Hex Hd 1/4-20 unc x 3/4
16	532 17 61-38	Switch Interlock
21	532 18 37-59	Harness Asm Light W/4152J
22	532 00 41-52	Bulb Light #1156
24	532 10 84-23	Cable Starter
25	532 16 59-87	Cable Battery Crd 56" Red
26	532 17 51-58	Fuse
27	873 51 04-00	Nut Keps Hex 1/4-20 unc
28	532 12 77-25	Cable Ground 6 Ga. 18" Black
29	532 19 27-49	Switch Seat
30	532 19 33-50	Switch Ignition
33	532 14 04-01	Key Ignition
34	532 11 07-12	Switch Light
40	532 19 74-36	Harness Ignition
41	871 11 04-08	Bolt Flk Fin Hex 1/4-20 unc x 1/2
42	532 13 15-63	Cover Terminal Red
43	532 19 25-07	Solenoid
48	532 14 08-44	Adapter Ammeter Rectangular
58	532 16 94-19	Buzzer Crd
59	532 18 03-79	Switch FBI CRD
66	817 49 06-08	Screw Thdrol 3/8-16 x 1/2 Ty-Tt
81	532 10 97-48	Relay Asm
92	532 19 66-15	Harness Pigtail
93	532 19 25-40	Screw Plastite 10-14 x 2.0
94	532 19 18-34	Module Reverse

NOTE: All component dimensions given in U.S. inches
1 inch = 25.4 mm

REPAIR PARTS

TRACTOR- -MODEL NO. LT2115CM (96061008101), PRODUCT NO. 960 61 00-81
CHASSIS AND ENCLOSURES



REPAIR PARTS

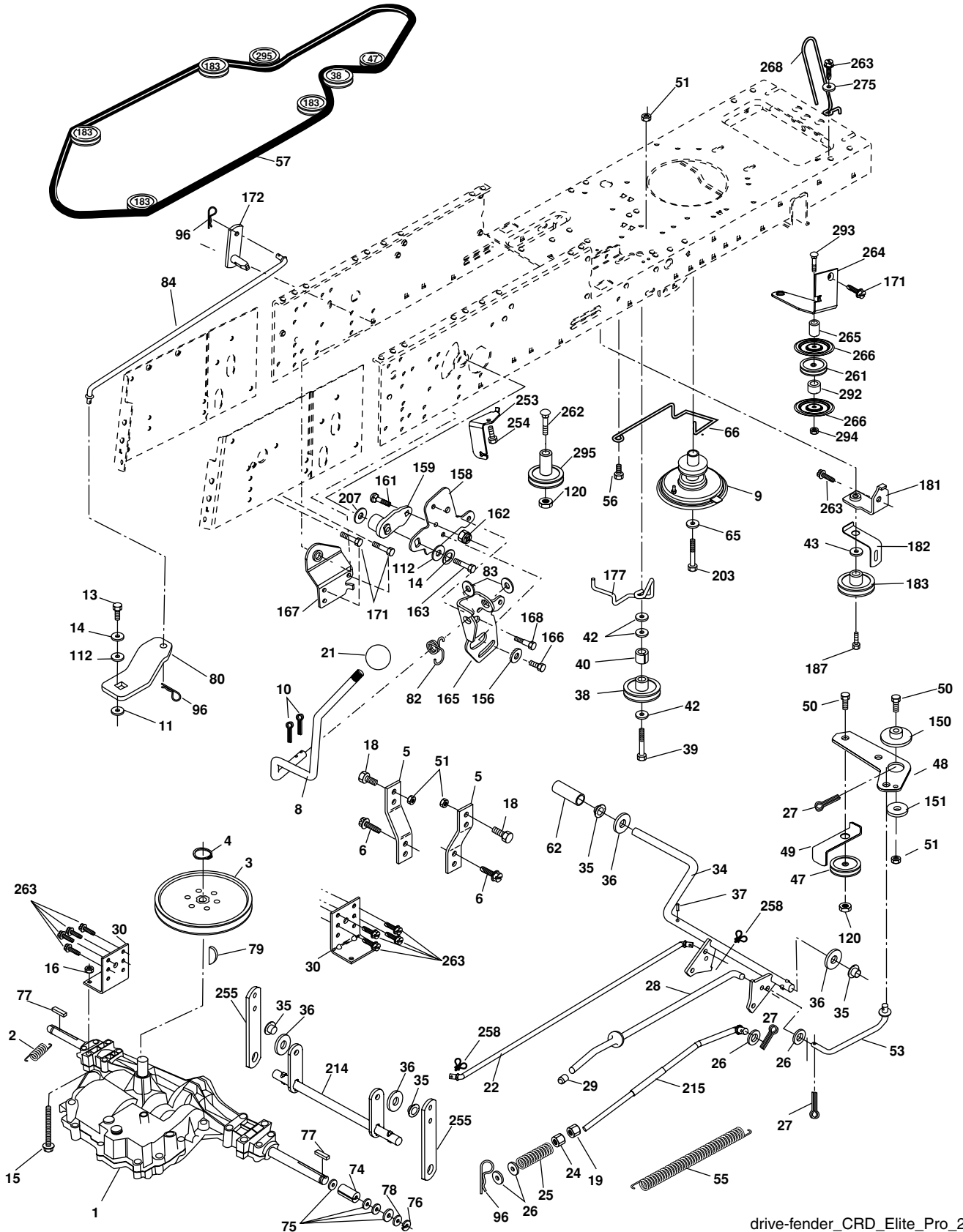
TRACTOR- -MODEL NO. LT2115CM (96061008101), PRODUCT NO. 960 61 00-81 CHASSIS AND ENCLOSURES

KEY NO.	PART NO.	DESCRIPTION	KEY NO.	PART NO.	DESCRIPTION
1	532 17 46-20	Chassis	164	532 16 56-05	Support Battery CRD
2	532 18 03-84	Drawbar	165	532 18 13-56	Cover Battery
3	817 06 06-12	Screw 3/8-16 x 3/4	170	532 19 94-88	Backplate Asm CRD
5	532 15 52-72	Bumper Hood/Dash	171	872 14 06-20	Bolt Rdhd Sqnk 3/8-16 x 2-1/2 Gr. 5
6	532 18 44-19	Saddle	172	819 13 20-16	Washer 13/32 x 1-1/4 x 16 Ga.
8	532 12 64-71	Clip Insulator 13/32 Mtg. Hole	173	873 51 06-00	Nut, Keps Hex 3/8-16 unc
9	532 19 46-88	Dash	175	532 18 82-03	Guard Trap
10	872 14 06-08	Bolt, Carriage 3/8-16 x 3/4	179	532 18 82-02	Rod Pivot FBI CRD
11	532 17 49-96	Panel, Dash, L.H.	184	532 17 46-62	Bracket Actuator Bagger CRD
13	532 17 52-55	Panel, Asm. Dash R.H.	185	532 18 11-01	Knob Rod Brake Parking
15	874 18 05-12	Screw, Machine, Truss Head 5/16-18 unc x 3/4	186	532 16 07-93	Latch Asm Mulch/Bagger
16	873 51 05-00	Nut	187	532 12 50-04	Nut Weld
17	532 19 47-57	Hood	188	819 06 12-16	Washer #10
18	532 18 49-21	Bumper Hood	189	810 07 10-00	Washer Lock #10
24	874 78 06-16	Bolt	190	871 08 10-10	Screw Pan Hd Phillip 10-24 x 5/8
25	819 13 13-12	Washer 13/32 x 13/16 x 12 Ga.	198	532 16 89-37	Nut, Push
26	873 80 06-00	Nut	205	817 49 06-08	Screw Thdrol 3/8-16 x 1/2
28	532 19 29-15	Grille /Lens Asm (Key #'s 258, 259, 261, 263, 264)	207	817 67 05-08	Screw 5/16-18 x 1/2
30	532 19 73-44	Fender	208	817 67 06-08	Screw Thdrol 3/8-16 x 1/2
31	532 16 51-56	Bracket, Fender Support	209	817 00 06-12	Screw Hex Wsh Thdrol 3/8-16
33	532 18 11-93	Footrest, L.H.	256	532 18 13-61	Cover Fender
34	532 18 11-94	Footrest, R.H.	258	532 18 97-55	Lens Grille RH
35	872 11 06-06	Bolt	259	532 18 97-54	Lens Grille LH
37	817 49 05-08	Screw Thdrol 5/16-18 x 1/2 TYT	261	532 18 97-53	Insert Grille
38	532 18 17-48	Bracket Asm Pivot Mower Rear	263	532 18 38-33	Bezel Grille RH
39	532 17 47-14	Bracket Pivot	264	532 18 38-32	Bezel Grille LH
58	532 18 43-22	Duct Air	265	532 18 57-04	Seal RH Side Bagger
69	532 14 24-32	Screw Hex 1/4-1/2 unc	266	532 18 57-03	Seal LH Side Bagger
89	532 19 73-66	Console	278	532 19 16-11	Screw 10 x 3/4 Single Lead Hex
145	532 15 65-24	Rod Pivot Chassis/Hood	--	532 18 78-01	Plug Dome Plastic
162	532 18 03-82	Bracket Exten Chassis Lh CRD			
163	532 18 03-83	Bracket Exten Chassis Rh CRD			

NOTE: All component dimensions given in U.S. inches.
1 inch = 25.4 mm.

REPAIR PARTS

TRACTOR- -MODEL NO. LT2115CM (96061008101), PRODUCT NO. 960 61 00-81
DRIVE



REPAIR PARTS

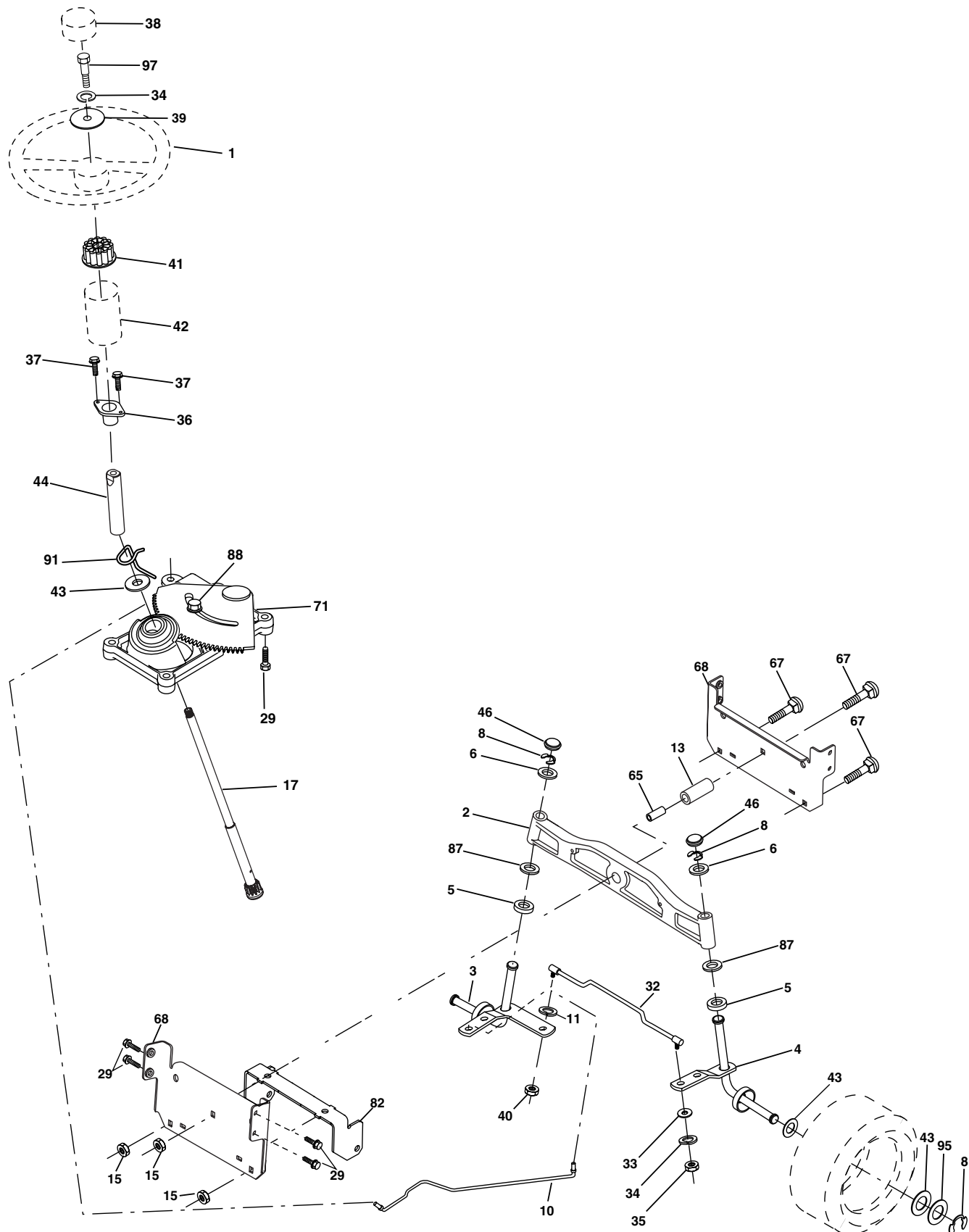
TRACTOR- -MODEL NO. LT2115CM (96061008101), PRODUCT NO. 960 61 00-81 DRIVE

KEY NO.	PART NO.	DESCRIPTION	KEY NO.	PART NO.	DESCRIPTION
1	-----	Transaxle Peerless 206-546 (Order parts from transaxle manufacturer)	78	532 12 17-48	Washer 25/32 x 1-5/8 x 16 Ga.
2	532 14 66-82	Spring Brake Return	79	532 12 50-96	Key Woodruff
3	532 16 59-99	Pulley Transaxle	80	532 14 50-90	Arm Shift PMST 20" Tires
4	812 00 00-28	Ring Retainer #5100-62	82	532 16 57-11	Spring, Torsion
5	532 12 15-20	Strap torque 30 degrees	83	819 17 12-16	Washer 17/32 x 3/4 x 16 Ga.
6	817 06 05-12	Screw 5/16-18 x 3/4	84	532 16 56-21	Link Shift CRD Pmst 18" Tires
8	532 19 27-06	Rod Shift	96	532 12 47-88	Spring, Retainer 1"
9	532 18 03-54	Clutch Noram	112	819 09 12-10	Washer 9/32 x 3/4 x 10 Ga.
10	876 02 04-16	Pin, Cotter 1/8 x 1	120	873 90 06-00	Nut Lock Flg. 3/8-16 unc
11	532 10 57-01	Washer Plate Shf .3888 sq hole	150	532 16 58-50	Bushing, Bellcrank Grnd Dr
13	874 55 04-12	Bolt 1/4-28 unF Gr. 8 w/patch	151	819 13 32-10	Washer 13/32 x 2 x 10 Ga.
14	810 04 04-00	Washer, Lock Hvy Helical	156	532 16 60-02	Washer Srrd 5/16 ID x 1.125
15	874 49 05-44	Bolt Hex Flghd 5/16-18 Gr. 5	158	532 16 55-89	Bracket Shift Mount
16	873 80 05-00	Nut, Lock Hex w/lns 5/16-18 unc	159	532 18 39-00	Hub Shift
18	874 78 06-16	Bolt Hex 3/8-16 unc x 1 Gr. 5	161	872 14 04-06	Bolt Rdhd Sqnk 1/4-20 x 3/4 Gr 5
19	873 80 06-00	Nut, Lock Hex w/Wsh 3/8-16 unc	162	873 68 04-00	Nut Crownlock 1/4-20 unc
21	532 12 12-74	Knob Duckhead	163	874 78 04-16	Bolt Hex Fin 1/4-20 unc x 1 Gr 5
22	532 17 56-07	Rod, Brake CRD	165	532 16 56-23	Bracket Pivot Lever
24	873 35 06-00	Nut	166	817 49 05-10	Screw 5/16-18 x 5/8
25	532 10 68-88	Spring, Rod, Brake	167	532 16 55-88	Bracket Support Shift CRD
26	819 13 13-16	Washer 13/32 x 13/16 x 16 Ga.	168	532 16 54-92	Bolt Shoulder 5/16-18 x .561
27	876 02 04-12	Pin, Cotter 1/8 x 3/4	171	817 49 06-08	Screw Thdrol 3/8-16 x 1/2 Ty-Tt
28	532 17 57-65	Rod, Parking Brake	172	532 16 56-35	Shaft Asm Shift Front CRD PMST
29	532 07 16-73	Cap Brake Parking	177	532 16 59-32	Keeper Flat Idler 3.06" CRD
30	532 17 49-73	Bracket, Mfg. Transaxle	181	532 18 02-11	Bracket Idler Ground Drive CRD
34	532 17 55-78	Shaft, Asm Pedal Foot	182	532 18 26-82	Keeper Belt 2.5" Od V-Idler CRD
35	532 12 01-83	Bearing, Nylon	183	532 19 95-32	Pulley V-Idler
36	819 21 16-16	Washer 21/32 x 1 x 16 Ga.	187	817 58 05-20	Screw 5/16-18 x 1.25
37	532 12 49-63	Pin, Roll 3/16 x 1"	203	871 17 07-80	Bolt Hex 7/16-20 x 5
38	532 16 59-36	Pulley, Flat	207	532 16 98-45	Washer Nylon Rear
39	874 76 06-44	Bolt Fin Hex 3/8-16 unc x 2-3/4	214	532 17 56-09	Shaft Asm Blade
40	532 12 49-65	Spacer, Split 395 x 59 Bzp	215	532 19 95-80	Rod Brake Secondary
42	819 13 13-12	Washer 13/32 x 13/16 x 12 Ga.	253	532 17 50-28	Bracket Cable Chassis
43	819 11 10-12	Washer 11/32 x 5/8 x 12 Ga.	254	817 00 06-16	Screw 3/8-16 x 1
47	532 12 77-83	Pulley, Idler, V Groove Plasic	255	532 17 56-08	Brace Shaft Brake Mtg.
48	532 15 44-07	Bellcrank Clutch Grnd Drv	258	532 17 80-62	Clip Retainer
49	532 12 32-05	Retainer, Belt Style Spring	261	532 13 14-94	Pulley Idler
50	872 11 06-12	Bolt 3/8-16 unc x 1-1/2	263	817 00 06-12	Screw 3/8-16 x 3/4
51	873 68 06-00	Nut, Crownlock 3/8-16 unc	262	872 11 06-22	Bolt Rdhd 3/8-16 unc x 2-3/4 Gr.5
53	532 19 96-52	Link, Clutch 7.66	264	532 19 76-08	Bracket Idler
55	532 10 57-09	Spring, Return, Clutch	265	532 18 20-13	Spacer Idler Chassis
56	817 06 06-20	Screw 3/8-16 x 1-1/4	266	532 18 20-61	Shield Idler Mower
57	532 16 56-31	V-Belt Kev PMST CRD	268	532 18 24-02	Guard Muffler RH
62	532 12 35-33	Cover, Pedal	275	819 13 16-14	Washer 13/32 x 1 x 14 Ga.
65	810 04 07-00	Washer	292	532 40 02-71	Spacer
66	532 15 47-78	Keeper, Belt Engine F-Proof	293	872 14 06-28	Bolt Rdhd Sqnk 3/8-16 x 3-1/2
74	532 13 70-57	Spacer Axle	294	532 19 70-33	Nut Jam 3/8-16
75	532 12 17-49	Washer 25/32 x 1-1/4 x 16 Ga.	295	532 17 91-14	Pulley Idler
76	812 00 00-01	Ring, E			
77	532 12 35-83	Key, Square			

NOTE: All component dimensions given in U.S. inches.
1 inch = 25.4 mm.

REPAIR PARTS

TRACTOR- -MODEL NO. LT2115CM (96061008101), PRODUCT NO. 960 61 00-81
STEERING ASSEMBLY



REPAIR PARTS

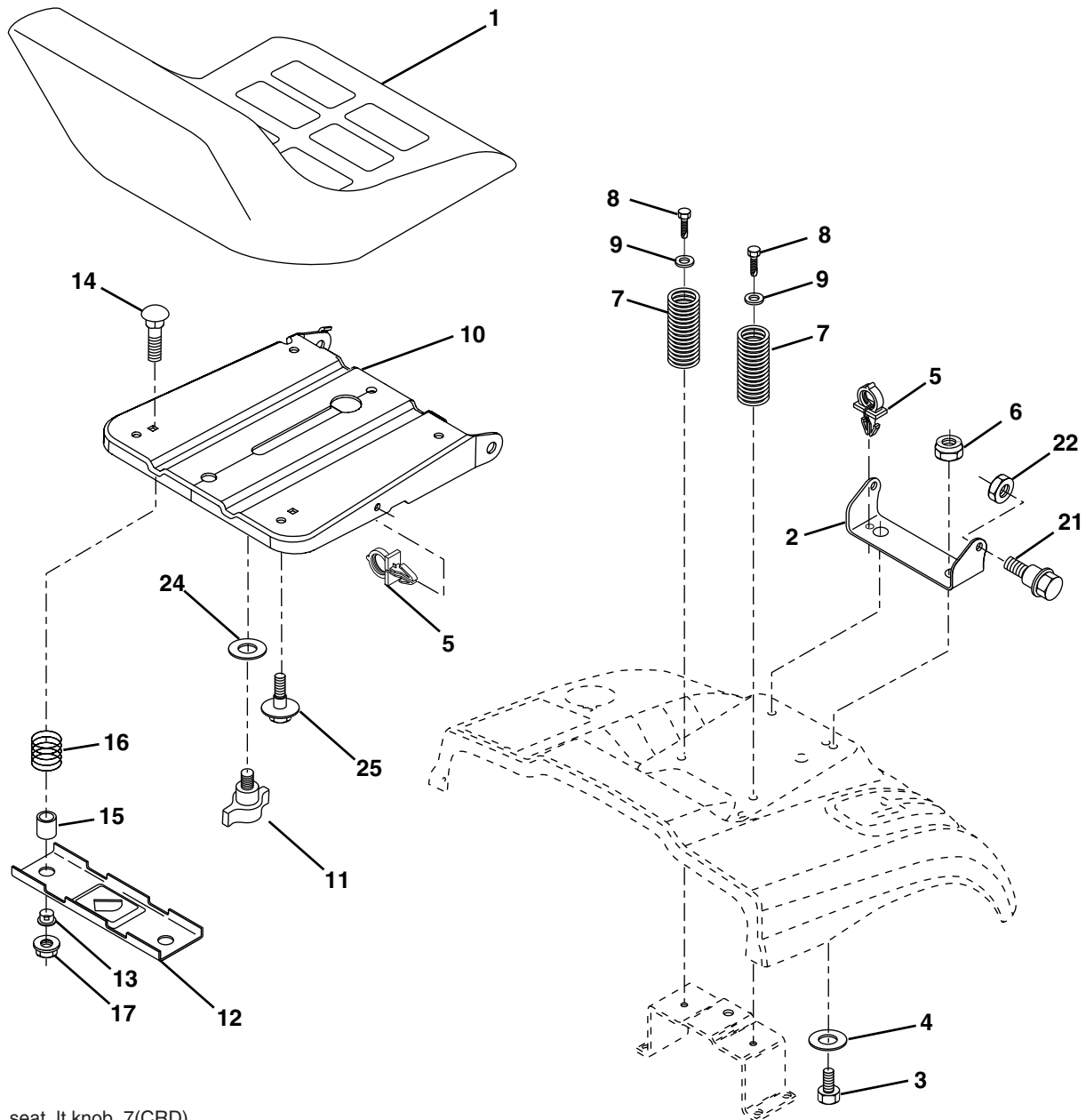
TRACTOR- -MODEL NO. LT2115CM (96061008101), PRODUCT NO. 960 61 00-81
STEERING ASSEMBLY

KEY NO.	PART NO.	DESCRIPTION
1	532 19 46-37	Steering Wheel
2	532 18 47-06	Front Axle Assembly
3	532 16 98-40	Spindle Assembly, L.H.
4	532 16 98-39	Spindle Assembly, R.H.
5	532 12 49-31	Bearing, Race, Thrust, Hardened
6	532 12 17-48	Washer 25/32 x 1-5/8 x 16 Ga.
8	812 00 00-29	Ring, Klip
10	532 17 51-21	Link, Drag
11	810 04 06-00	Washer, Lock
13	532 13 65-18	Spacer Axle
15	532 14 52-12	Nut Hex Flange Lock
17	532 19 07-53	Shaft Assembly, Steering
29	817 00 06-12	Screw 3/8-16 x 3/4
32	532 17 01-62	Rod, Tie
33	819 11 12-16	Washer 11/32 x 3/4 x 16 Ga.
34	810 04 05-00	Washer Lock Hvy Hlcl Spr 5/16
35	873 54 05-00	Crownlock Nut 5/16-24 unf
36	532 15 50-99	Bushing, Steering
37	532 15 29-27	Screw TT #10-32 x 5 x 3/8 Flange
38	532 19 46-03	Cap Wheel Steering
39	819 11 38-12	Washer 11/32 ID x 2 3/8 OD x 12 Ga.
40	873 54 06-00	Nut Crownlock 3/8-24 unf
41	532 18 67-37	Adaptor, Steering Wheel
42	532 16 96-33	Boot, Steering
43	532 12 17-49	Washer 25/32 x 1-1/4 x 16 Ga.
44	532 19 07-52	Extension Steering
46	532 12 12-32	Cap, Spindle
65	532 16 03-67	Spacer Axle
67	872 11 06-18	Bolt Rdhd Sq 3/8-16 x 2-1/4
68	532 16 98-27	Brace Axle
71	532 17 51-46	Steering Asm.
82	532 19 99-78	Bracket Susp. Chassis Front
87	532 17 39-66	Washer Flat .781 x 1-1/2 x .14
88	532 17 51-18	Bolt Shoulder 7/16-20 unc
91	532 17 55-53	Clip Steering
95	532 18 89-67	Washer
97	874 78 05-64	Bolt 5/16-18 unc x 4" L Gr. 5

NOTE: All component dimensions given in U.S. inches
1 inch = 25.4 mm

REPAIR PARTS

TRACTOR- -MODEL NO. LT2115CM (96061008101), PRODUCT NO. 960 61 00-81
SEAT ASSEMBLY

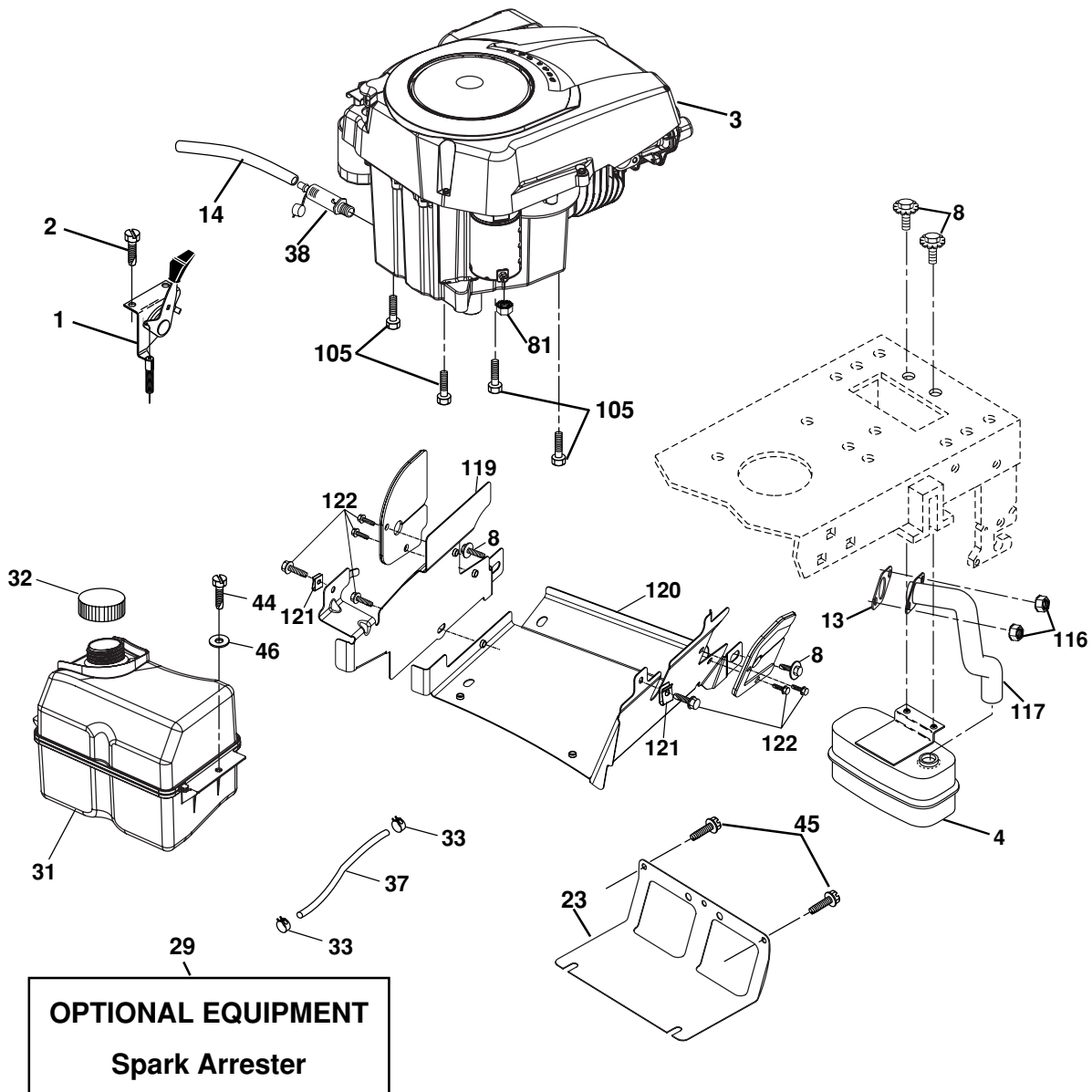


seat_lt.knob_7(CRD)

KEY NO.	PART NO.	DESCRIPTION	KEY NO.	PART NO.	DESCRIPTION
1	532 18 87-13	Seat	13	532 12 12-48	Bushing Snap Blk Nyl 50 Id
2	532 14 05-51	Bracket Pnt Pivot Fender	14	872 05 04-12	Bolt Rdhd Sht Nk 1/4-20 x 1-1/2
3	871 11 06-16	Bolt Fin Hex 3/8-16 x 1	15	532 13 43-00	Spacer Split
4	819 13 16-10	Washer Flat 13/32 x 1 x 10 Ga.	16	532 12 12-50	Spring Cprsn
5	532 14 50-06	Clip Push In Hinged	17	532 12 39-76	Nut Lock 1/4 Lge Flg Gr. 5 Zinc
6	873 80 06-00	Nut Lock Hex W/Ins 3/8-16	21	532 17 18-52	Bolt Shoulder 5/16-18 unc-2A
7	532 12 41-81	Spring Seat Cprsn 2 250 Blk Zi	22	873 80 05-00	Nut Hex Lock w/Ins 5/16-18
8	817 00 06-16	Screw 3/8-16 x 1.5	24	819 17 19-12	Washer 17/32 x 1-3/16 x 12 Ga.
9	819 13 16-14	Washer 13/32 x 1 x 14 Ga	25	532 12 70-18	Bolt shoulder 5/16-18 x .62
10	532 19 55-30	Pan Pnt Seat			
11	532 16 63-69	Knob Seat Adj. Wingnut			
12	532 17 46 48	Bracket Pnt Mounting Switch			

NOTE: All component dimensions given in U.S. inches
1 inch = 25.4 mm

**TRACTOR- -MODEL NO. LT2115CM (96061008101), PRODUCT NO. 960 61 00-81
ENGINE**



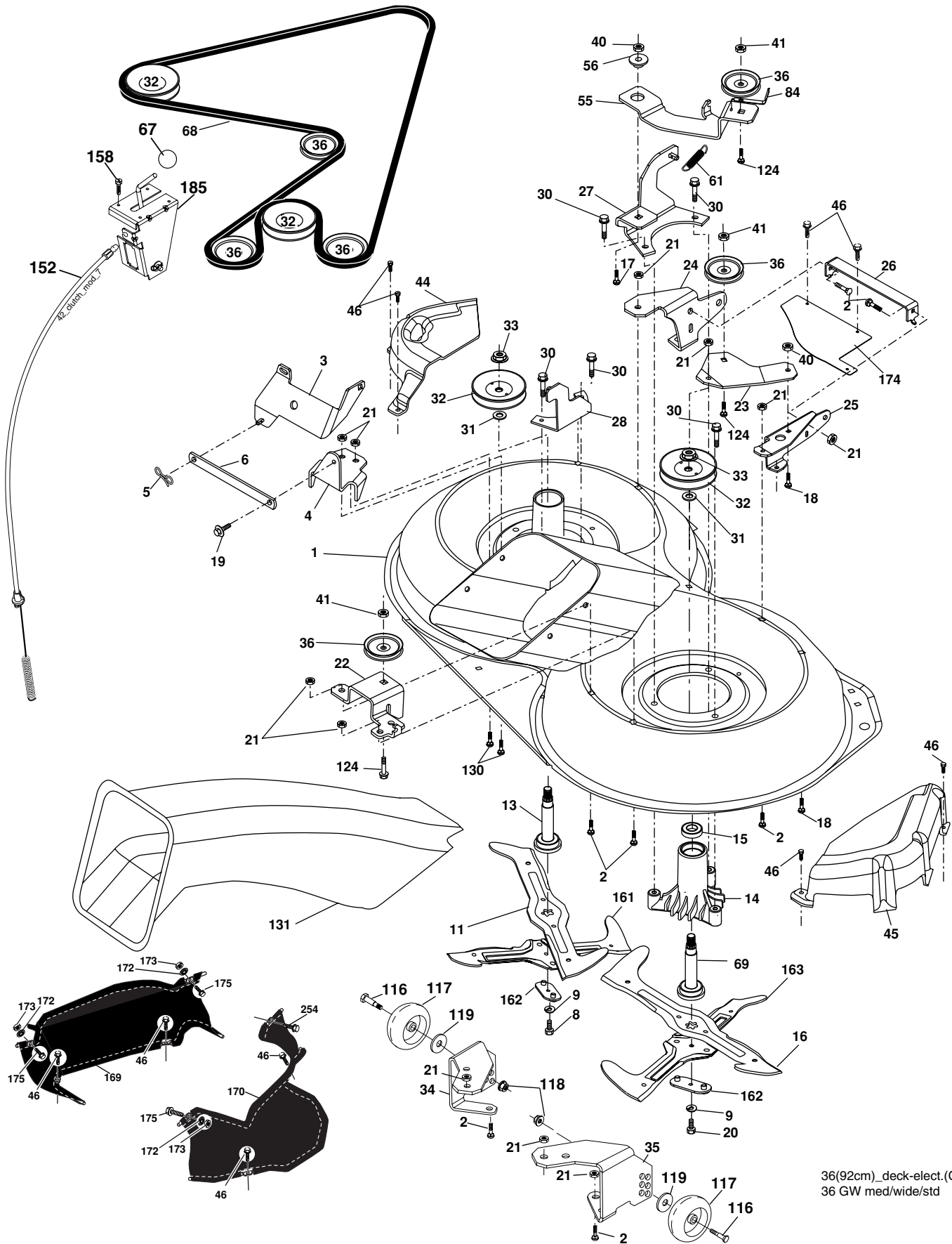
engine-kohler_42

KEY NO.	PART NO.	DESCRIPTION	KEY NO.	PART NO.	DESCRIPTION
1	532 17 08-05	Control Throt/Ck	44	817 67 04-12	Screw Hexwsh thdrol 1/4-20 x 3/4
2	817 72 04-08	Screw Hex Thd Cut 1/4-20 x 1/2	45	817 00 06-12	Screw Hexwsh Thdr 3/8-16 x 3/4
3	-----	Engine Kohler Model SV470 (Order parts from engine manufacturer)	46	819 09 14-16	Washer 9/32 x 7/8 x 16 Ga.
4	532 18 86-55	Muffler	81	873 51-04-00	Nut Keps Hex 1/4-20 unc
8	532 17 18-77	Bolt 5/16-18 unc x 3/4 w/Sems	105	817 12 06-16	Screw 3/8-16 x 1
13	532 18 59-09	Gasket Muffler	116	532 18 43-62	Nut Hex Flange Toplock M8-1.25
14	532 14 84-56	Tube Drain Oil Easy	117	532 18 86-54	Tube Exhaust
23	532 16 98-37	Shield Brn/Dbr Guard	119	532 40 06-01	Guard Asm. Engine LH
29	532 13 71-80	Kit Spark Arrestor (Flat Scrn)	120	532 40 06-00	Guard Asm. Engine rH
31	532 18 55-34	Tank Fuel 2.00	121	532 19 66-88	Clip Threaded
32	532 19 77-25	Cap Asm Fuel	122	532 13 77-29	Screw 1/4-20 x 5/8
33	532 12 34-87	Clamp Hose Blk	123	817 67 05-08	Screw 5/16-18 x 1/2
37	532 13 70-40	Line Fuel			
38	532 18 16-54	Plug Drain Oil Easy			

NOTE: All component dimensions given in U.S. inches
1 inch = 25.4 mm

REPAIR PARTS

TRACTOR- -MODEL NO. LT2115CM (96061008101), PRODUCT NO. 960 61 00-81
MOWER



36(92cm)_deck-elect.(CRD)_2
36 GW med/wide/std

REPAIR PARTS

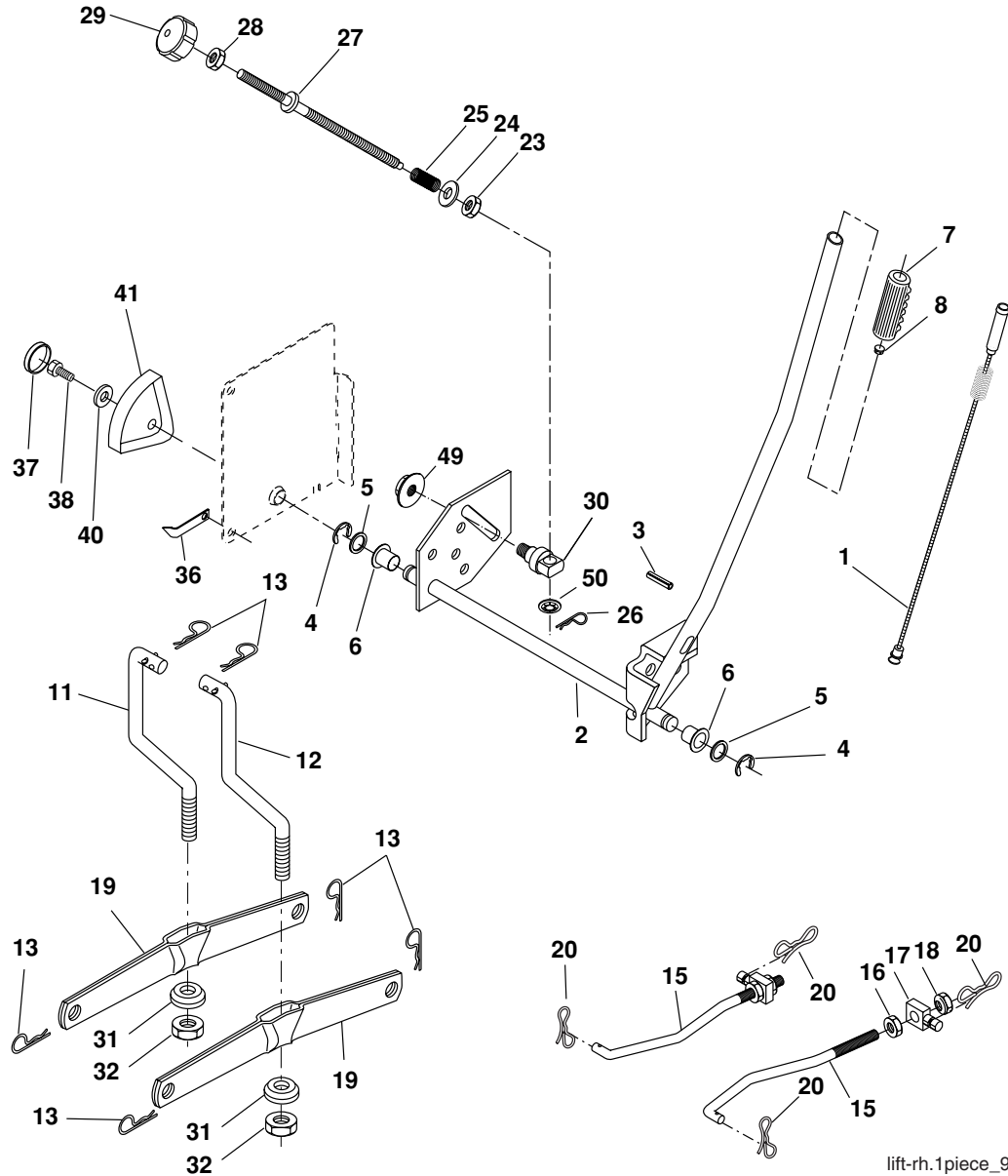
TRACTOR- -MODEL NO. LT2115CM (96061008101), PRODUCT NO. 960 61 00-81
MOWER

KEY NO.	PART NO.	DESCRIPTION	KEY NO.	PART NO.	DESCRIPTION
1	532 40 01-08	Housing Asm. Mower 92 CRD	55	532 19 94-98	Arm Idler 92 CRD
2	872 14 05-06	Bolt Rdhd Sqnk 5/16-18 unc x 3/4	56	532 16 57-23	Spacer Retainer Mower
3	532 16 55-69	Bracket Asm. S-Bar Chass	61	532 16 59-45	Spring Tension Belt
4	532 16 55-58	Bracket Bar Sway Deck 92 CRD	67	532 10 69-32	Knob Rd 3/8-16 Plstc Thds Blk
5	532 12 46-70	Retainer Spring	68	532 40 20-08	Hex-Belt 92 Mower
6	532 16 55-57	Bar Sway 92 CRD	69	532 16 54-82	Shaft Asm W/Lwr Brg Rh Thd CRD
8	532 18 17-12	Bolt 3/8-24 x 1.25 Gr. 8 Patched	84	532 15 60-85	Keeper Belt Idler
9	810 03 06-00	Washer Lock Hvy 3/8 Unplated	116	532 18 42-19	Bolt Shoulder
11	532 18 63-85	Blade 3-1 Lh 92 CRD	117	532 17 48-73	Wheel Gage
13	532 13 76-45	Shaft Asm. W/Lower Bearing	118	873 93 06-00	Nut Centerlock 3/8-16 unc
14	532 12 87-74	Housing Mandrel Vented (Machd)	119	819 12 14-14	Washer 3/8 x 7/8 x 14 Ga.
15	532 11 04-85	Bearing Ball Mandrel	124	872 11 06-12	Bolt Carr Sh 3/8-16 x 1-1/2 Gr. 5
16	532 18 63-86	Blade 3-1 Rh 92 CRD	130	872 11 05-06	Bolt Rdhdsqnk 5/16-18 unc x 3/4
17	872 14 06-10	Bolt Carriage 3/8-16 x 1-1/4	131	532 16 56-61	Chute Bagger CRD 92cm
18	872 11 06-06	Bolt Rdhd Sqnk 3/8-16 x 3/4	152	532 17 60-74	Cable Clutch CRD
19	532 13 28-27	Bolt Shoulder 5/16-18 Thd Form	158	817 72 04-08	Screw Hex Thd Cut 1/4-20 x 1/2
20	532 18 17-13	Bolt 3/8-24 x 1.25 Gr. 8 Ptch Lhthd	161	532 18 63-87	Blade Cross LH 92
21	873 68 05-00	Nut Crown Lock 5/16-18	162	532 18 08-78	Adapter Blade Cross
22	532 19 95-90	Bracket Idler Sprt 92 CRD	163	532 18 63-88	Blade Cross RH
23	532 16 54-46	Bracket Idler Sprt	169	532 40 02-74	Guard Asm. Fabric LH
24	532 16 52-42	Bracket Suspension LF 92 CRD	170	532 40 02-75	Guard Asm. Fabric rH
25	532 16 52-44	Bracket Suspension RF 92 CRD	172	532 40 12-20	Push Nut Round 3/8 Dia.
26	532 40 01-10	Brace Susp Frt CRD	173	873 80 06-00	Nut Lock 3/8-16 unc
27	532 16 55-68	Bracket Asm. Susp RR 92 CRD	174	532 40 02-41	Guard Front Susp.
28	532 16 55-67	Bracket Asm. Susp LR 92 CRD	175	872 11 06-08	Bolt 3/8-16 x 1 Gr. 5
30	532 17 39-84	Screw Thd Rolling	185	532 18 82-34	Head Asm. Cable Clutch
31	532 18 76-90	Washer Spacer Mower Vented	254	817 00 06-16	Screw 3/8-16 x 1
32	532 15 35-31	Mandrel Pulleys	--	532 18 18-57	Mandrel Asm Service
33	532 40 02-34	Nut Flg Top Lock	--	532 18 18-58	Mandrel Asm CRD Lh Threads SVC
34	532 40 01-07	Bracket Gauge Wheel Lf 92 CRD	--	532 40 03-09	Replacement Mower, Complete (Std. Deck - Order separately guage wheel components key nos. 116 - 119)
35	532 40 01-06	Bracket Gauge Wheel Rf 92 CRD			
36	532 14 67-63	Pulley Idler V-Groove Dim 4.25			
40	873 68 06-00	Nut Crownlock 3/8-16 unc			
41	873 90 06-00	Nut Lock Flg. 3/8-16 unc			
44	532 17 55-38	Cover Mandrel Lh 92 CRD			
45	532 17 55-39	Cover Mandrel Rh 92 CRD			
46	532 13 77-29	Screw Thd Roll 1/4-20 x 5/8			

NOTE: All component dimensions given in U.S. inches
1 inch = 25.4 mm

REPAIR PARTS

TRACTOR- -MODEL NO. LT2115CM (96061008101), PRODUCT NO. 960 61 00-81
MOWER LIFT



lift-rh.1piece_9

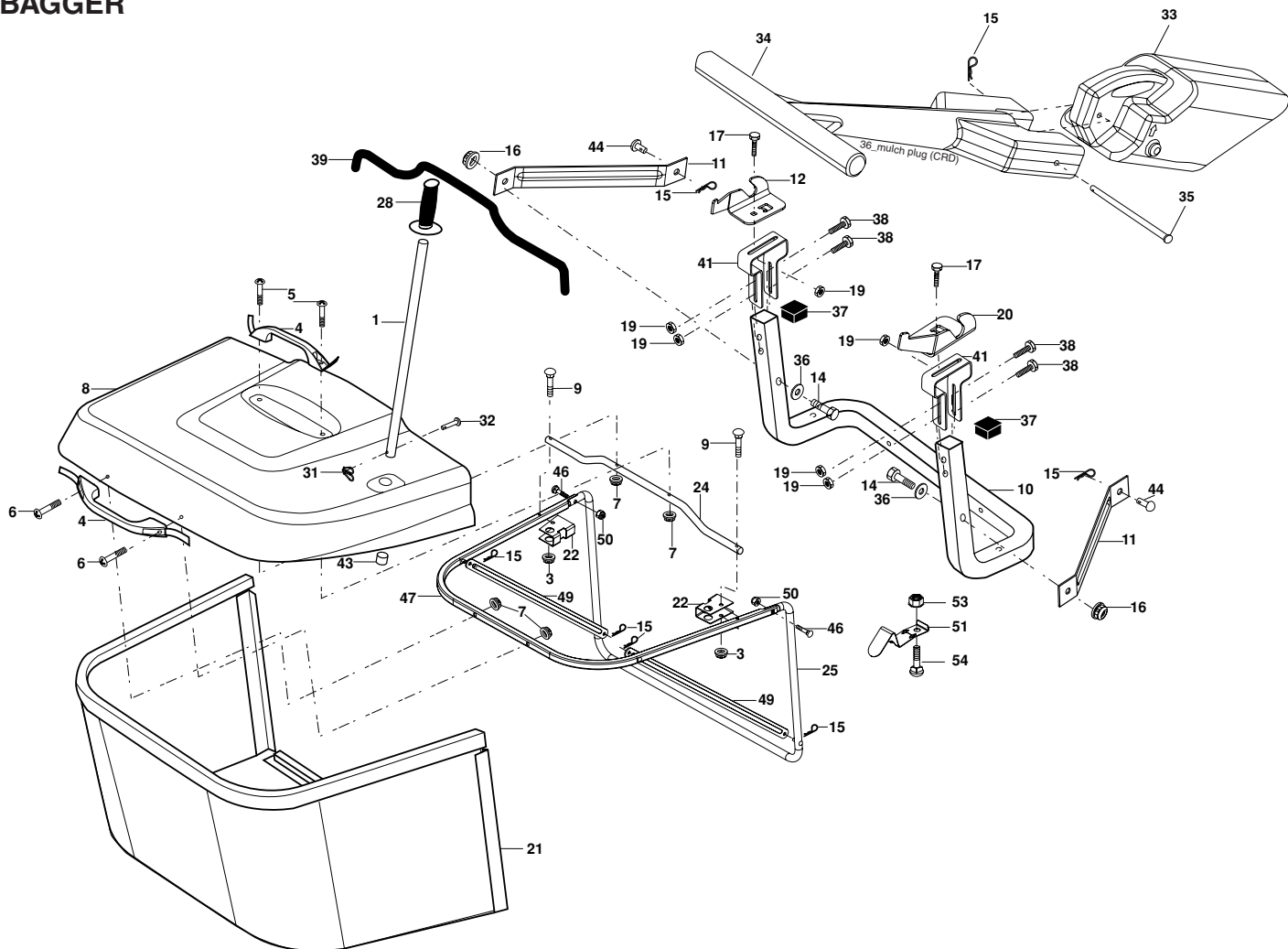
KEY NO.	PART NO.	DESCRIPTION
1	532 19 84-17	Washer Asm Inner Spring W/Plunger
2	532 19 80-70	Shaft Asm. Lift
3	532 18 88-22	Pin Groove
4	812 00 00-02	E Ring #5133-62
5	819 21 16-21	Washer 21/32 x 1 x 21 Ga.
6	532 12 01-83	Bearing Nylon
7	532 12 56-31	Grip Handle Fluted
8	532 12 45-26	Button Plunger Black
11	532 16 58-29	Link Asm Lift L.H.
12	532 16 58-31	Link Asm Lift R.H.
13	532 12 46-70	Retainer Spring
15	532 17 32-88	Link Front
16	873 35 08-00	Nut Jam Hex 1/2-13 unc
17	532 17 56-89	Trunnion Blk Zinc
18	873 80 08-00	Nut Lock w/wsh 1/2-13 unc
19	532 13 98-68	Arm Suspension Mower
20	532 19 42-09	Pin Cotter 7/16 Bowtie Lock
23	532 11 08-07	Nut Special

KEY NO.	PART NO.	DESCRIPTION
24	819 13 10-16	Washer 13/32 x 5/8 x 16 Ga.
25	532 12 48-74	Spring 2-1/8"
26	532 16 94-84	Retainer Clip
27	532 12 69-71	Rod Adj Lift Zinc 7.49 Wrk Lg
28	873 35 06-00	Nut Hex Jam 3/8-16 unc
29	532 13 80-57	Knob Inf 3/8-16 unc Blk w/sym
30	532 15 02-33	Trunnion Infin Height
31	532 16 98-65	Bearing, Pvt. Lift.
32	873 54 06-00	Nut Crownlock 3/8-24
36	532 15 50-97	Pointer Height Indicator
37	532 12 39-35	Plug Hole Blk 1.485/1.515 Dia
38	817 06 05-16	Screw 5/16-18 x 1
40	819 11 24-10	Washer 11/32 x 1-1/2 x 10 Ga.
41	532 12 39-34	Scale Ind Height Blk
49	532 14 52-12	Nut hex Flange Lock
50	532 11 04-52	Nut Push Phos & Oil

NOTE: All component dimensions given in U.S. inches
1 inch = 25.4 mm

REPAIR PARTS

TRACTOR- -MODEL NO. LT2115CM (96061008101), PRODUCT NO. 960 61 00-81
BAGGER



Bagger Asy (CRD)_11

KEY NO.	PART NO.	DESCRIPTION	KEY NO.	PART NO.	DESCRIPTION
1	532 16 52-49	Tube Handle Bagger CRD	31	532 16 94-84	Retainer Clip
3	532 12 39-76	Nut Lock 1/4 Lge Flg Gr. 5 Zinc	32	532 12 68-75	Rivet Rd Hd Drilled 3/8 Dia.
4	532 16 99-16	Handle Bagger w/Lvrs Blk CRD	33	532 16 55-71	Plug Mulcher
5	874 98 10-24	Screw Pan Head #10-24 x 1.50	34	532 16 55-70	Handle Mulcher
6	874 98 10-32	Screw Pan Hd	35	532 16 55-72	Pin Mulcher
7	873 40 10-00	Nut Wiz Lock Hex Serr/Hd 10-24	36	819 13 20-12	Washer 13/32 x 1-1/4 x 12 Ga.
8	532 18 13-54	Cover Bagger	37	532 17 54-01	Plug Support Bagger CRD
9	872 14 04-18	Bolt Carr. 1/4-20 x 2.25d x Gr.5	38	872 01 05-20	Bolt 5/16-18 x 2-1/2
10	532 18 12-82	Tube Support Bagger CRD	39	532 18 09-85	Seal
11	532 16 57-19	Bracket Support Upper Bag CRD	41	532 16 96-83	Bracket Pnt Adj Pvt Bagger CRD
12	532 18 88-48	Bracket Pivot Lh	43	532 17 40-83	Plug Tubing End
14	874 52 06-36	Bolt Fin Hex 3/8-16 x 2-1/4 Gr. 5	44	532 19 33-12	Pin Clevis 3/8 x 11/16
15	532 12 46-70	Retainer Spring	46	872 11 05-10	Bolt Carr. 5/16-18 x 1-1/4 Gr. 5
16	873 90 06-00	Nut Lock Flange 3/8-16 unc	47	532 19 37-04	Tube Upper Bagger
17	872 14 05-06	Bolt Rdhd Sht Sqnk 5/16 -18 unc x 3/4	48	532 19 37-05	Tube Front Bagger CRD
19	873 90 05-00	Nut Lock Hex Flange 5/16-18	49	532 19 33-05	Bar Spreader
20	532 18 88-47	Bracket Pivot Rh	50	873 80 05-00	Nut Lock Hex W/Ins. 5/16-18 unc
21	532 19 38-38	Bag Asm CRD	51	532 19 99-03	Latch Spring Bagger
22	532 16 57-81	Bracket Side Bagger CRD	53	873 51 04-00	Nut Keps Hex 1/4-20 unc
24	532 16 57-83	Tube Pivot Bagger CRD	54	872 14 04-06	Bolt Rdhd Sqnk 1/4-20 x 3/4 Gr. 5
25	532 19 37-05	Tube Front Bagger			
28	532 16 57-87	Grip Handle			

NOTE: All component dimensions given in U.S. inches
1 inch = 25.4 mm