

# GR2032, GR2036

**Spare parts**

**Ersatzteile**

**Pièces détachées**

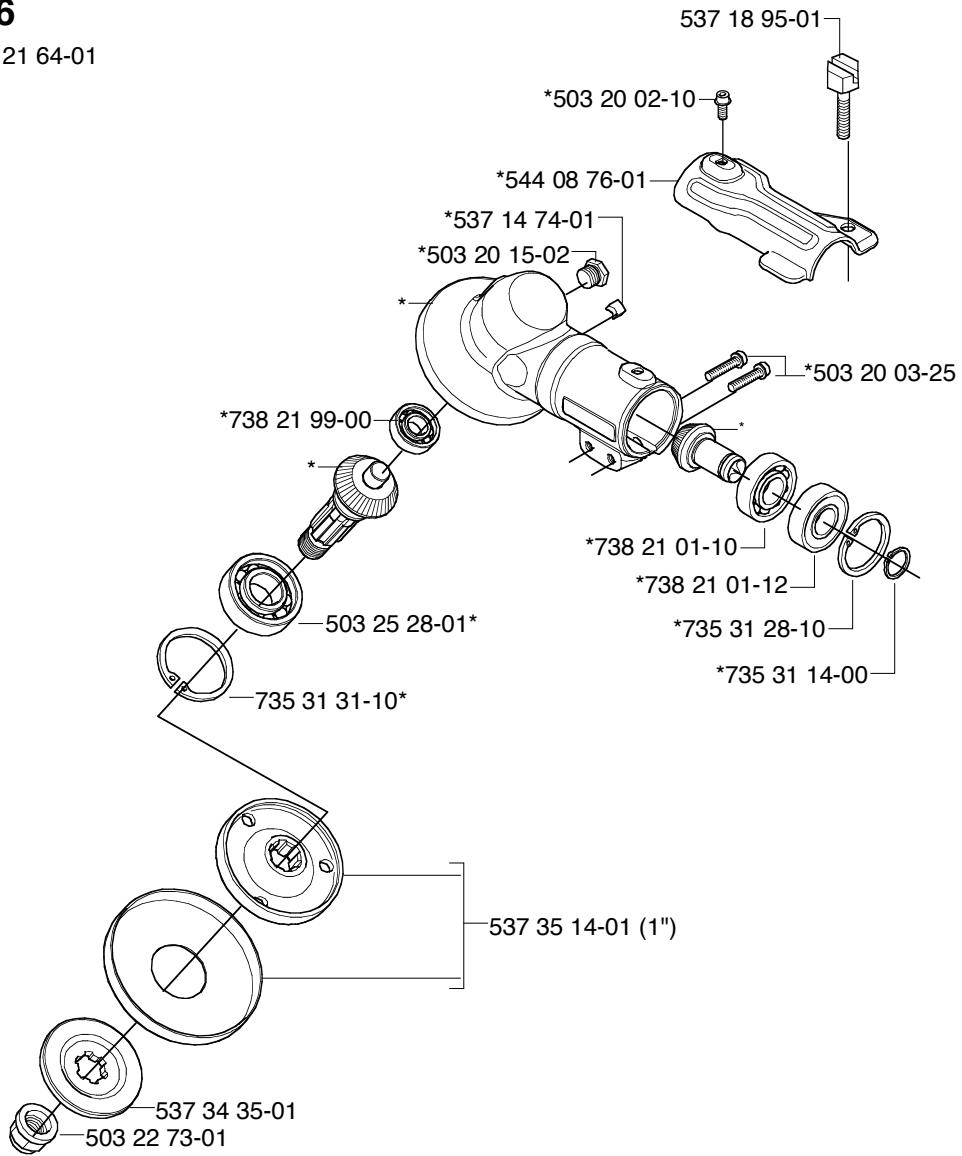
**Reserve onderdelen**

**Repuestos**

**Reservdelar**

# A GR 2036

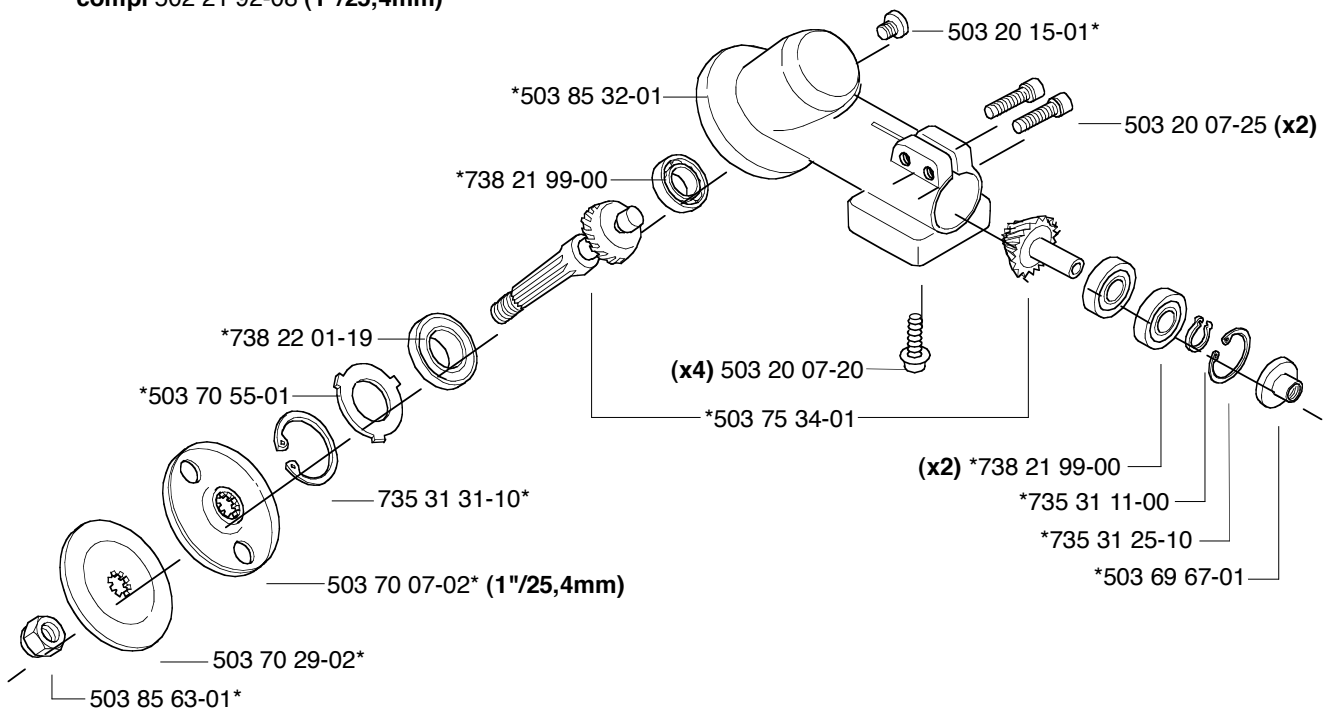
\*compl 544 21 64-01



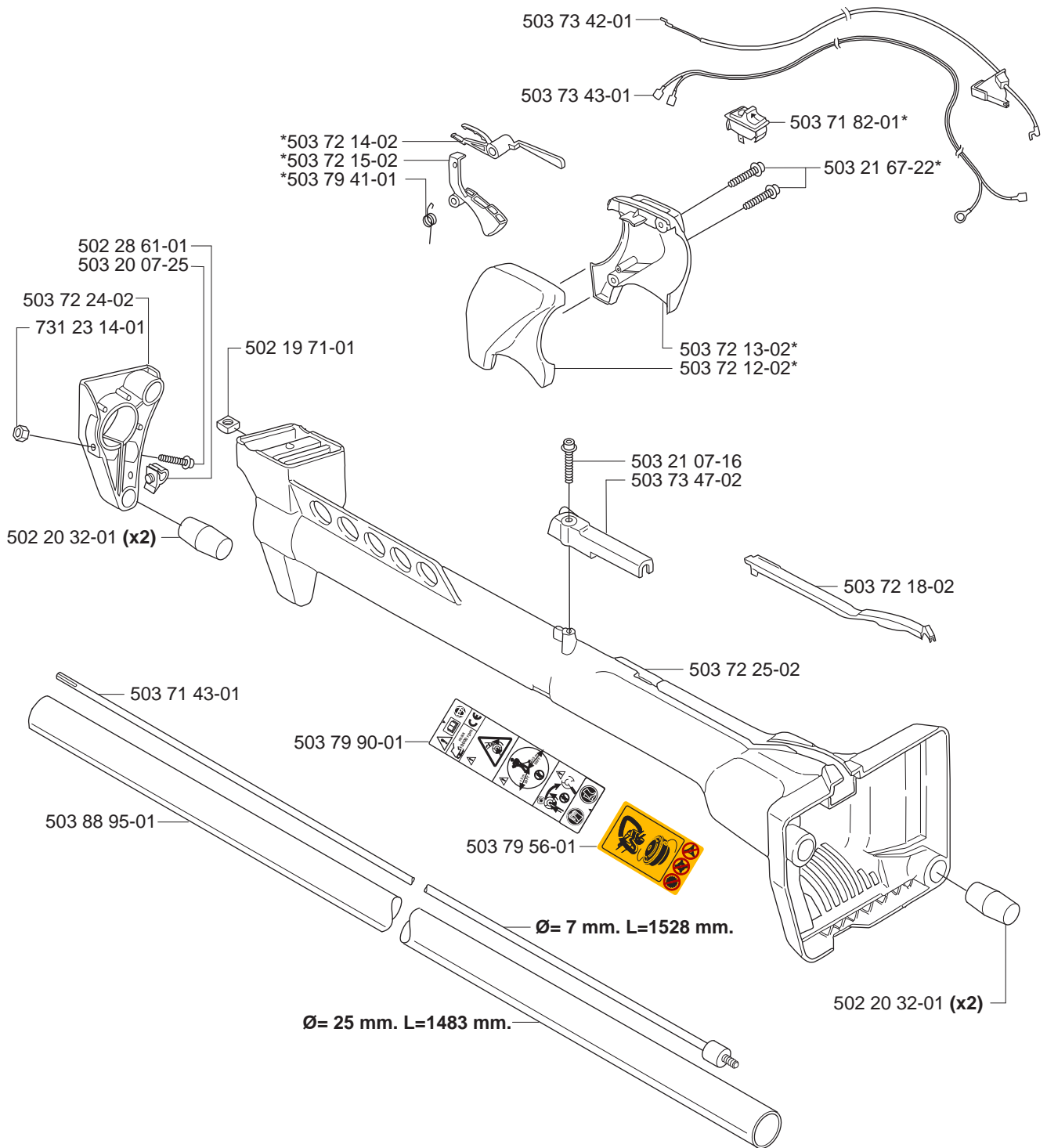
# A GR 2032

\*compl 502 21 92-04 (20mm)

\*compl 502 21 92-08 (1"/25,4mm)



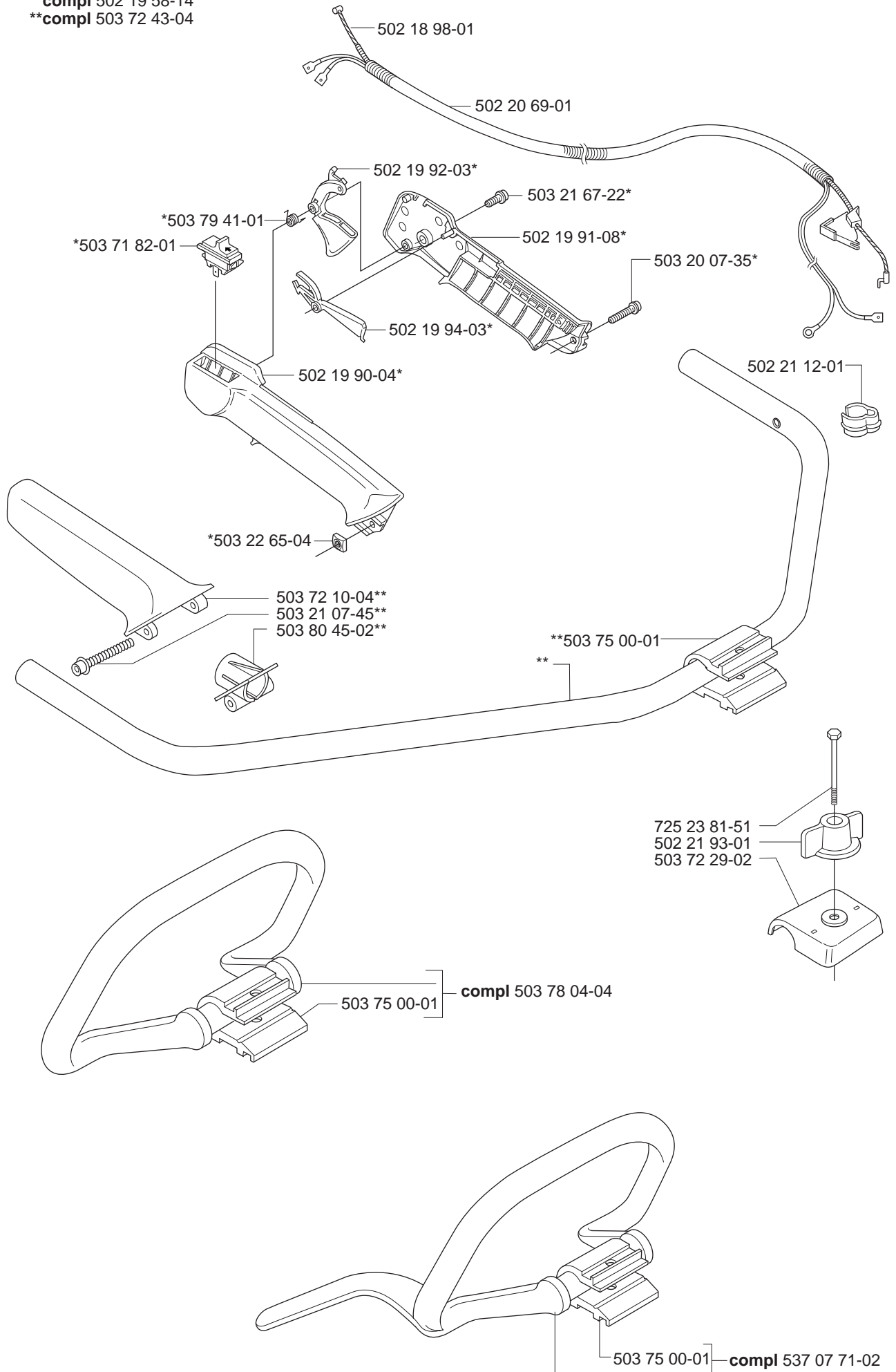
**B GR 2032**  
 \*compl 503 78 05-04



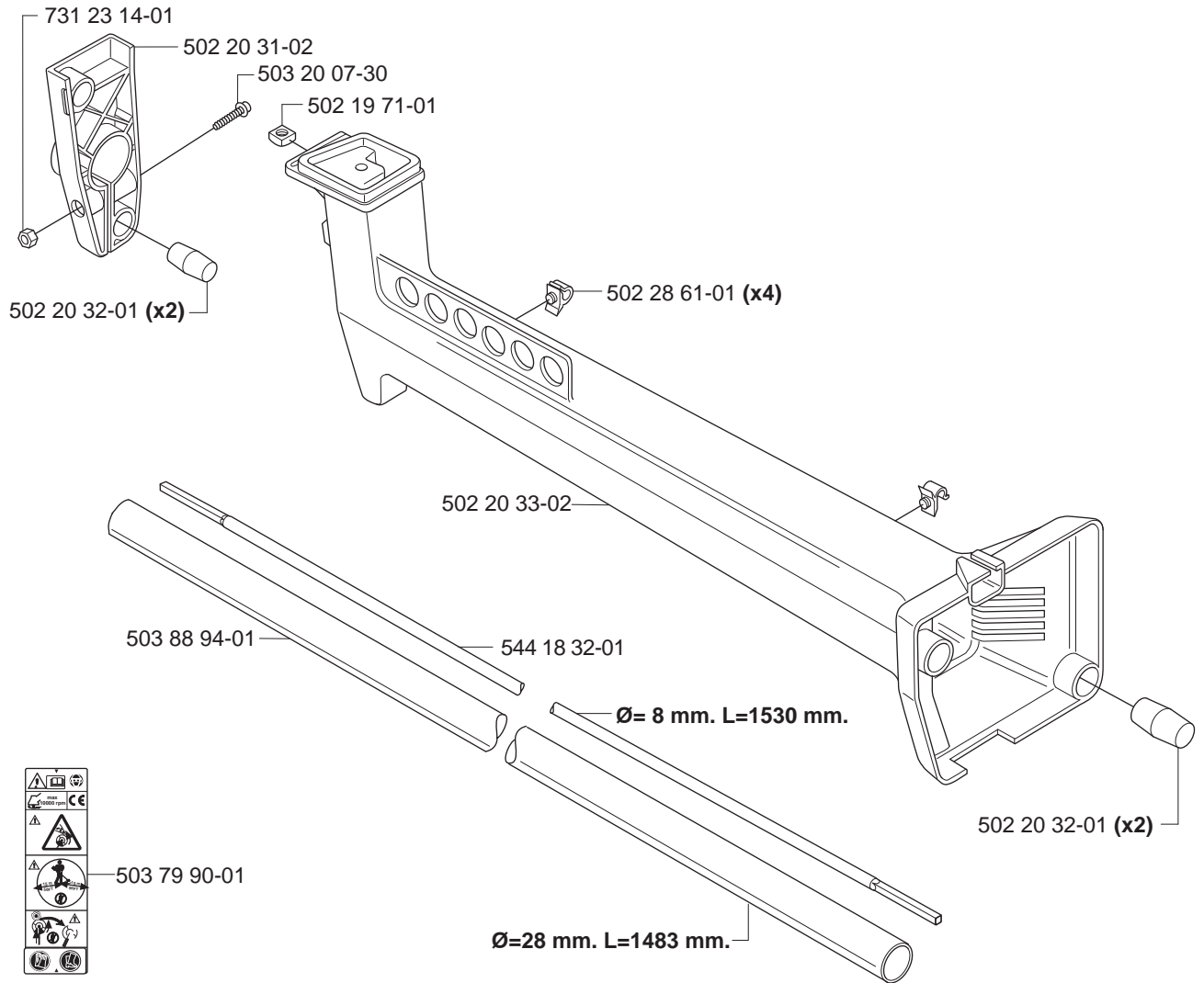
# C GR 2032

\*compl 502 19 58-14

\*\*compl 503 72 43-04

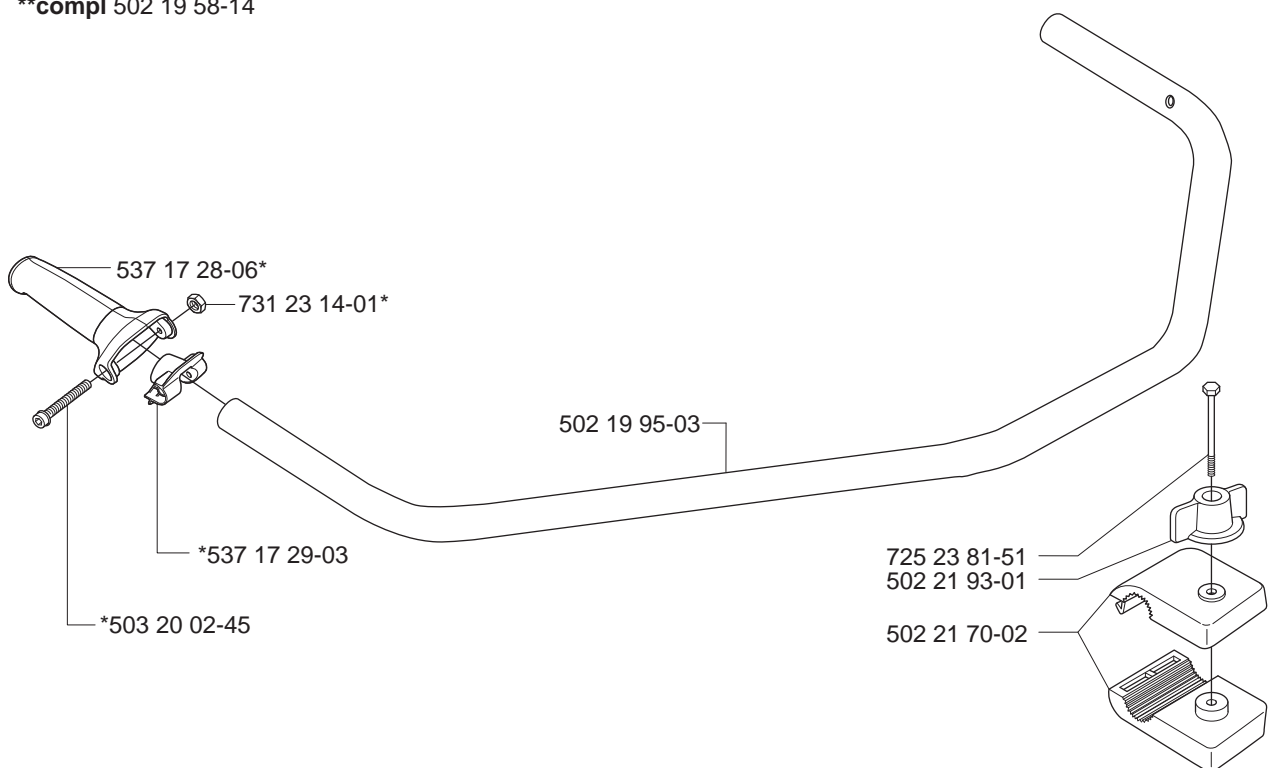


# D GR 2036

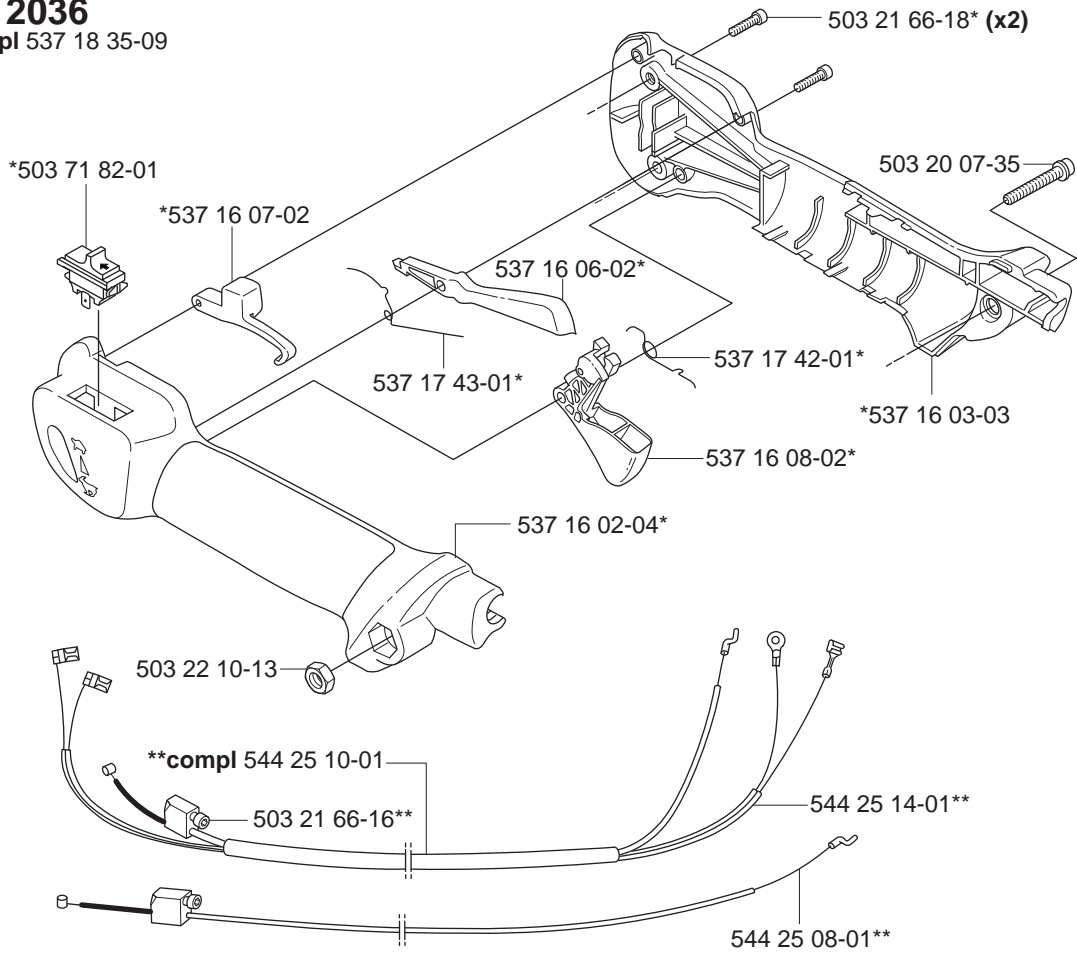


# E GR 2036

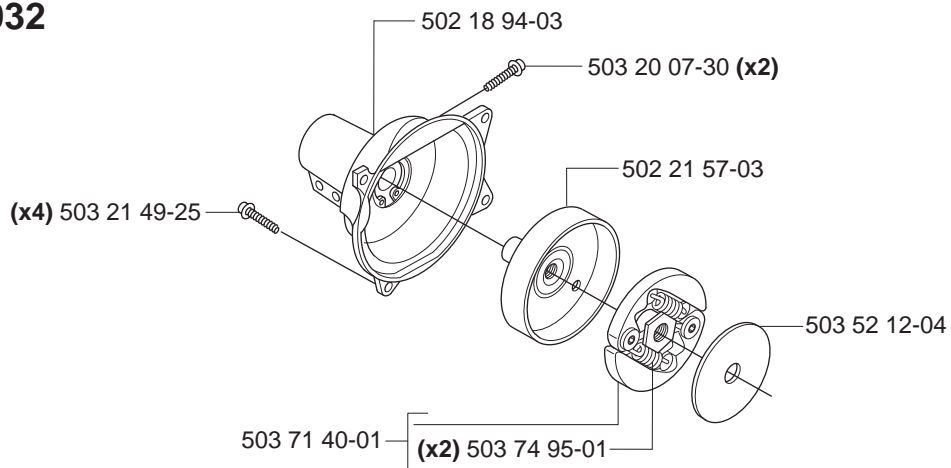
\*compl 502 19 60-02  
 \*\*compl 502 19 58-14



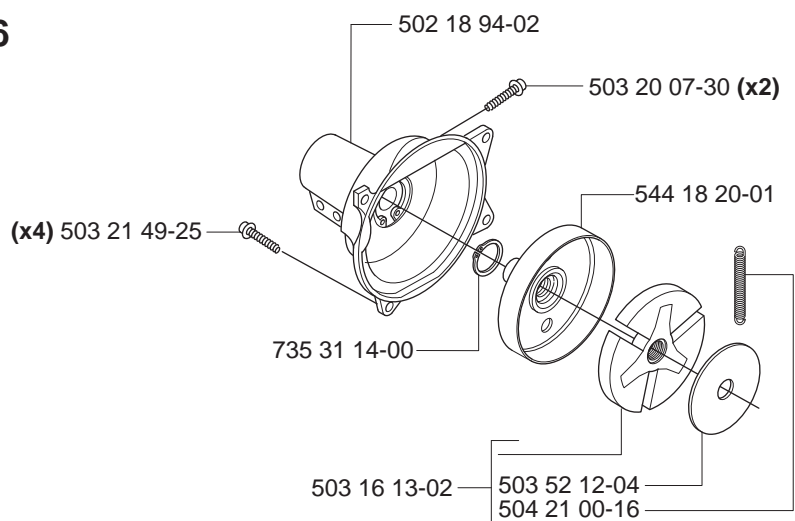
**F GR 2036**  
\*compl 537 18 35-09



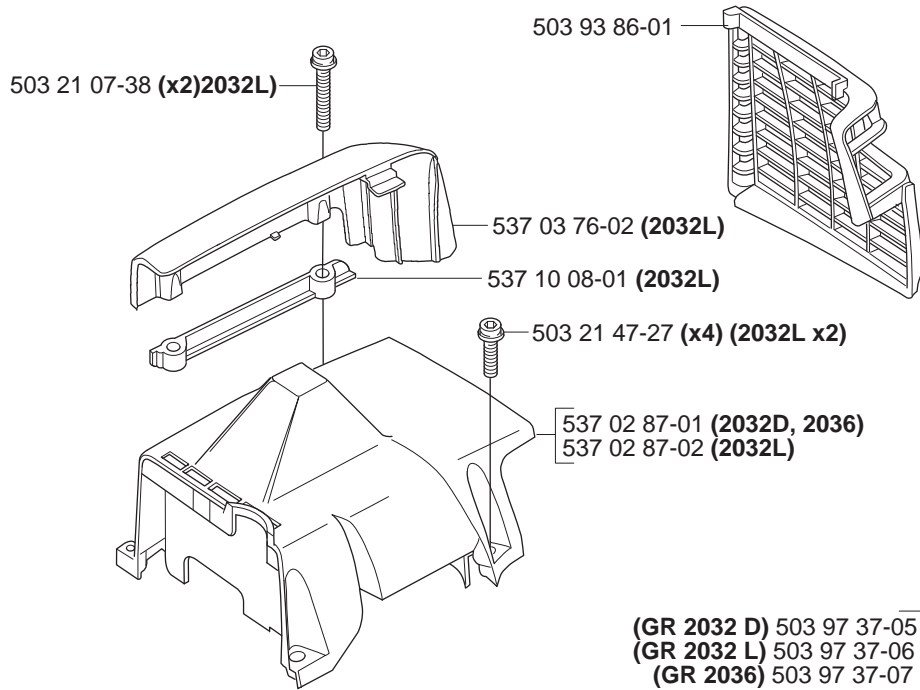
**G GR 2032**



**G GR 2036**

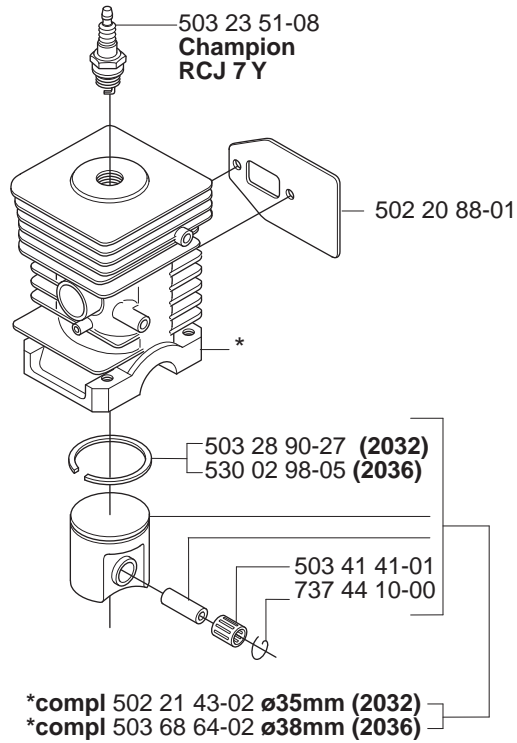


# H



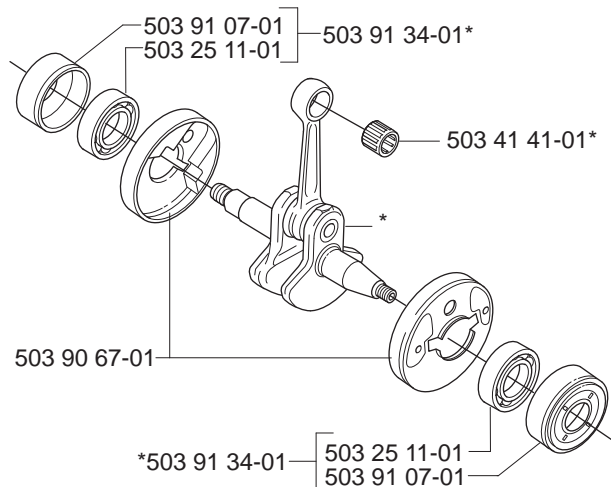
# J

\*compl 503 72 80-01  $\varnothing$ 35mm (2032)  
\*compl 503 69 46-01  $\varnothing$ 38mm (2036)

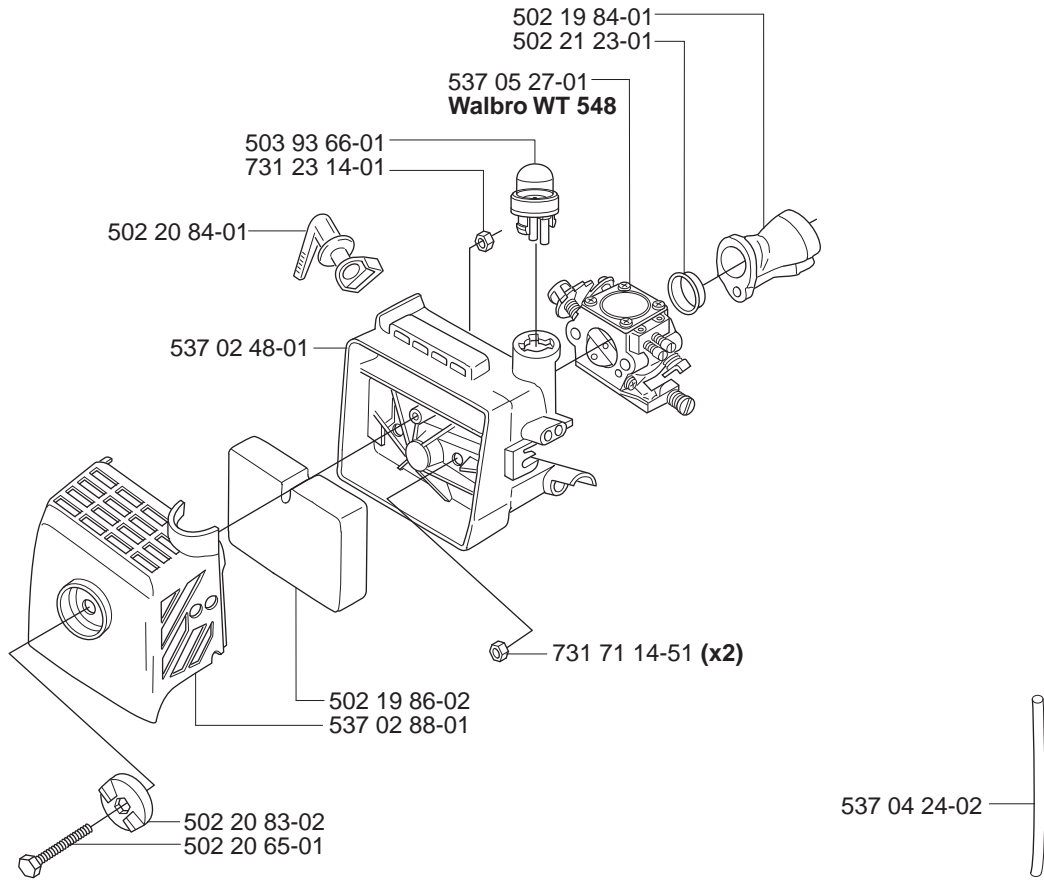


# K

\*compl 502 21 28-04

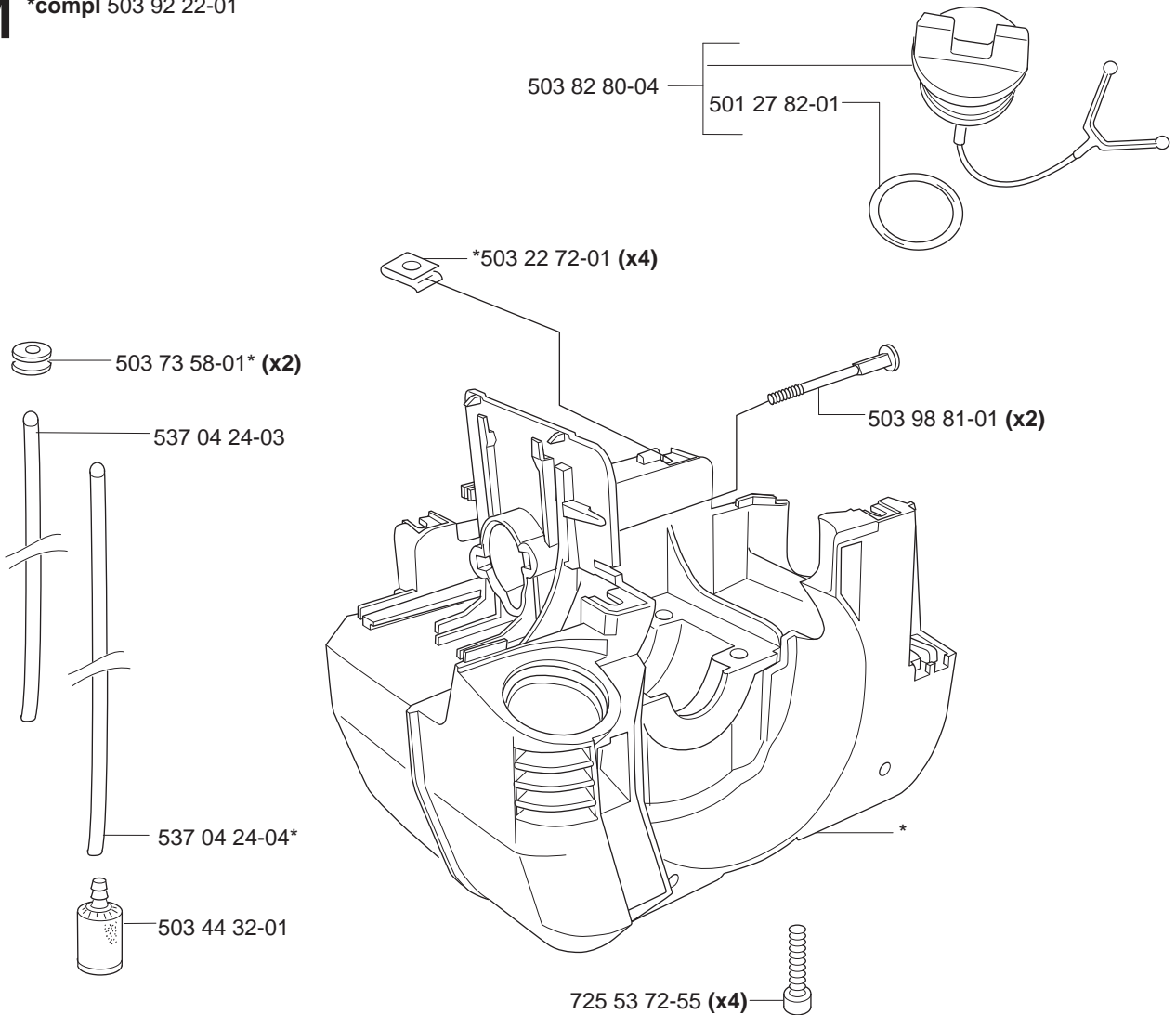


**L**



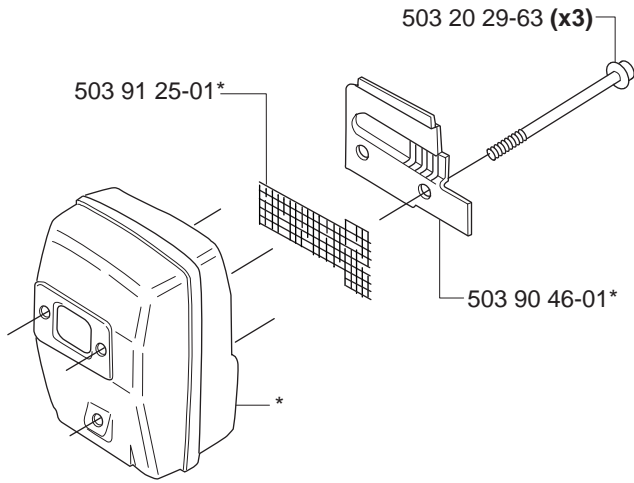
**M**

\*compl 503 92 22-01

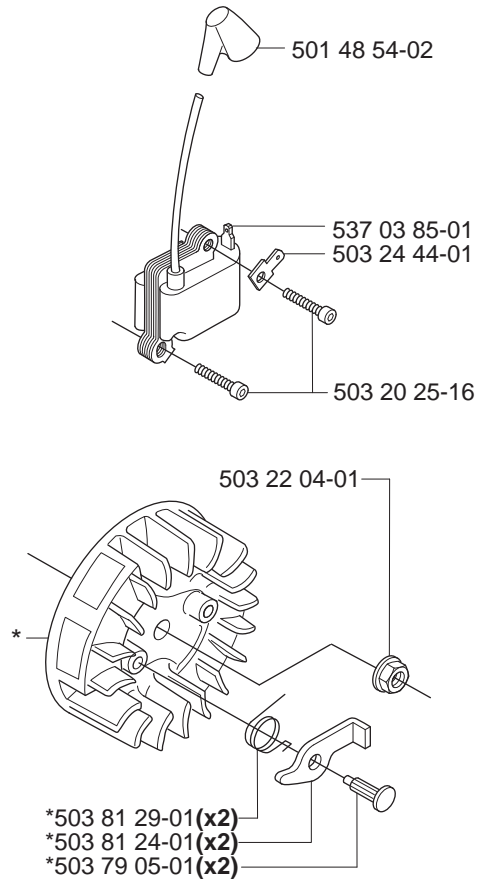




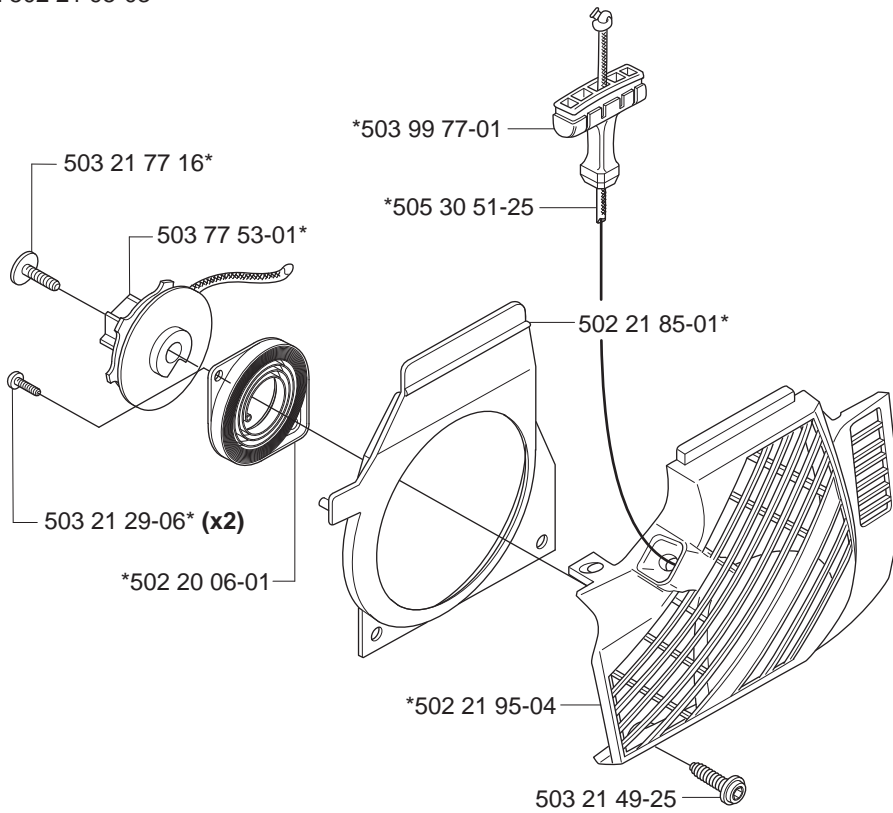
**N** \*compl 503 90 47-02



**P** \*compl 503 79 06-01

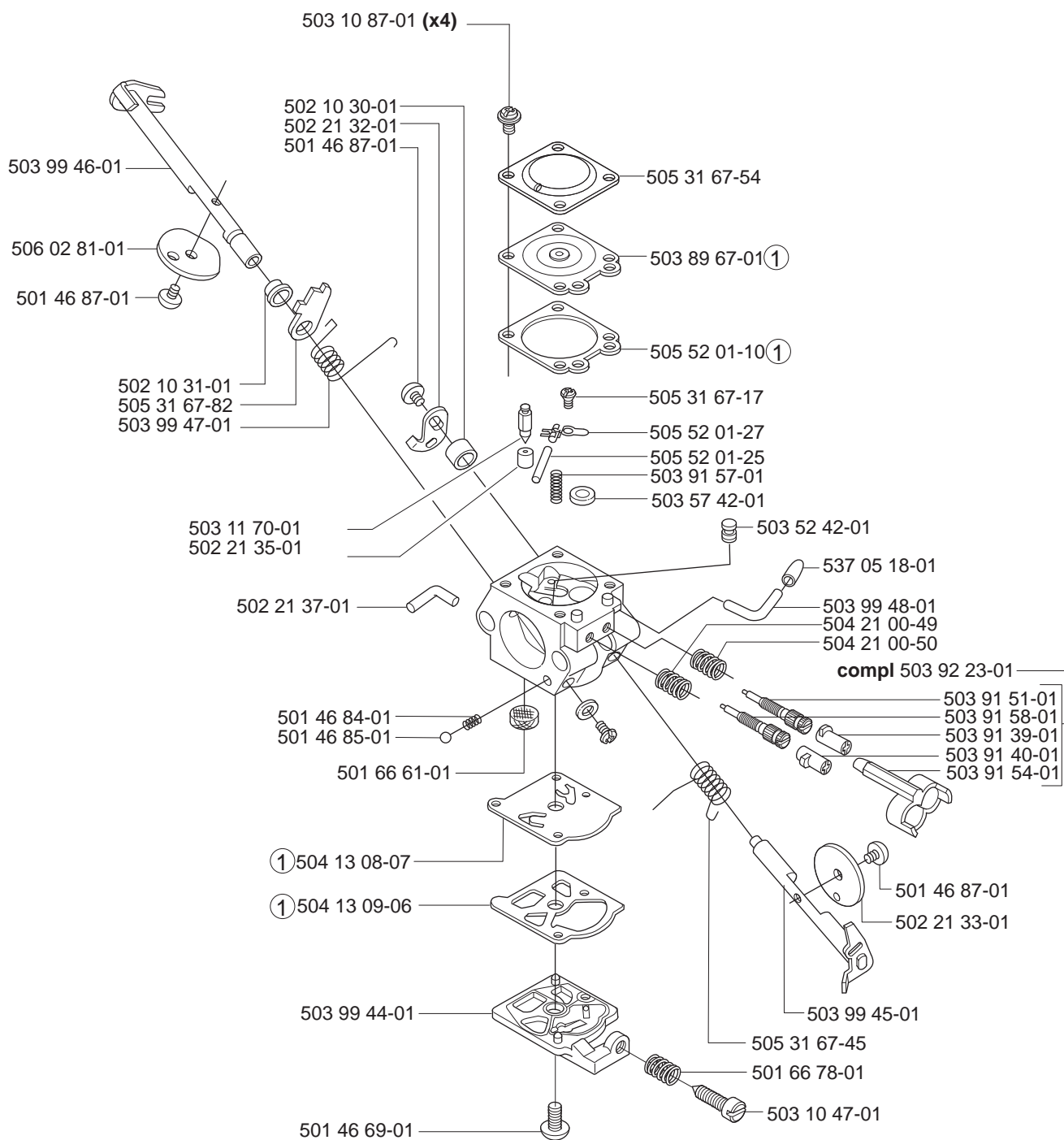


**Q** \*compl 502 21 95-03



502 21 98-20 (2032 D)  
 502 21 98-21 (2032 L)  
 502 21 98-22 (2036)

**Jonsered GR 2032 D**

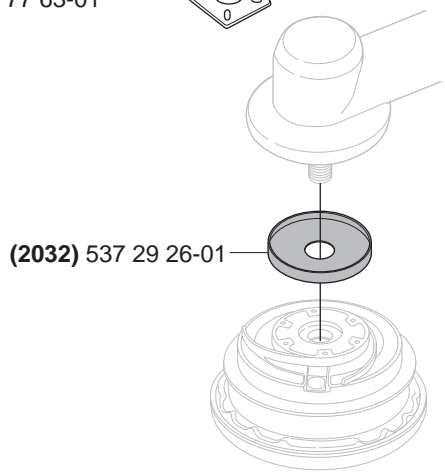
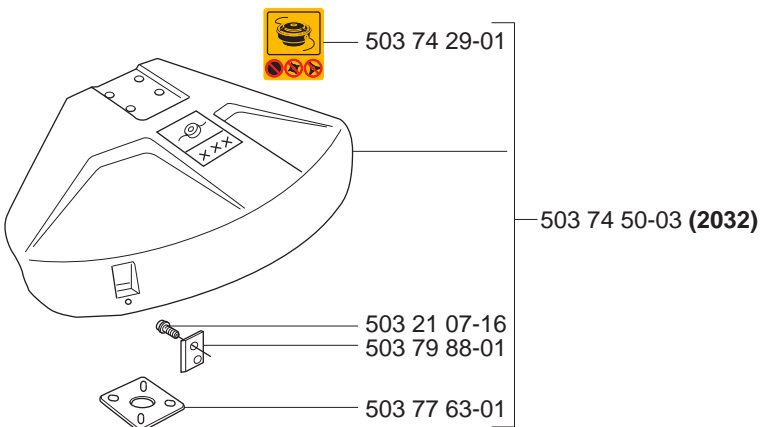
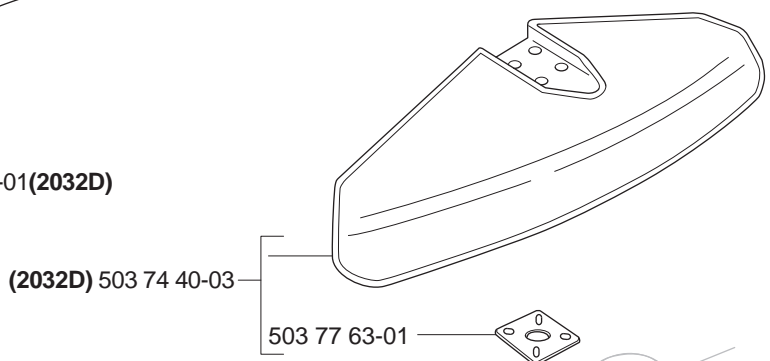
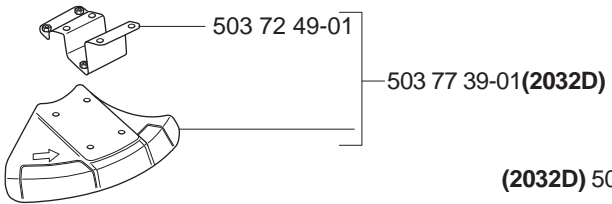
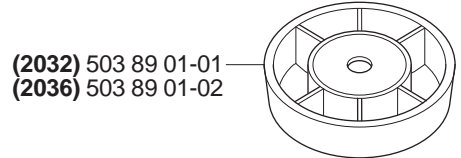
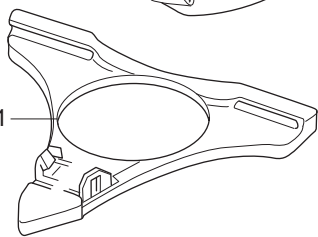
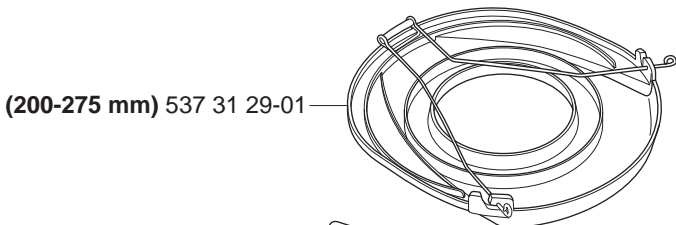
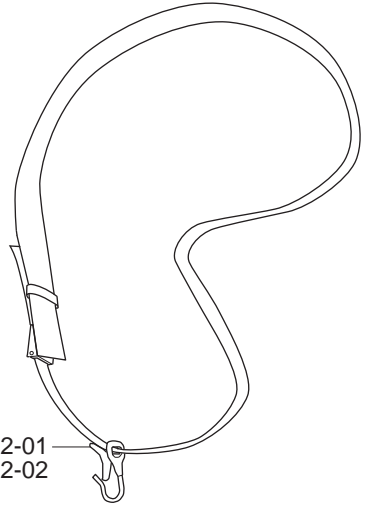
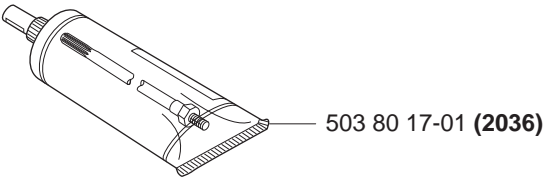
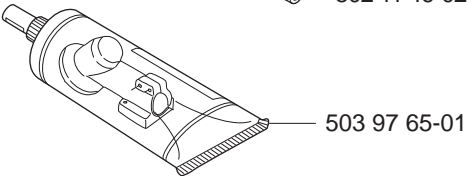
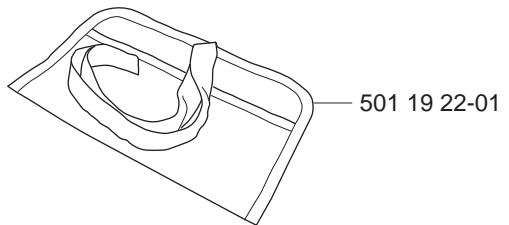
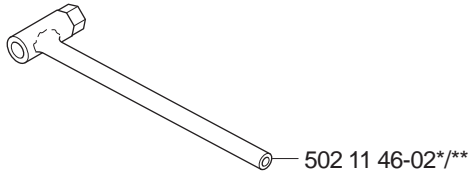
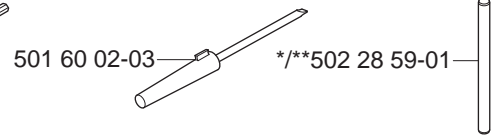
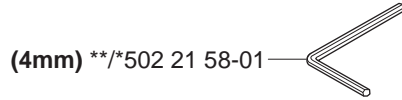


① 530 03 51-73

**Set of gaskets**  
**Dichtungssatz**  
**Jeu de joints**  
**Juego de juntas**  
**Packningssats**

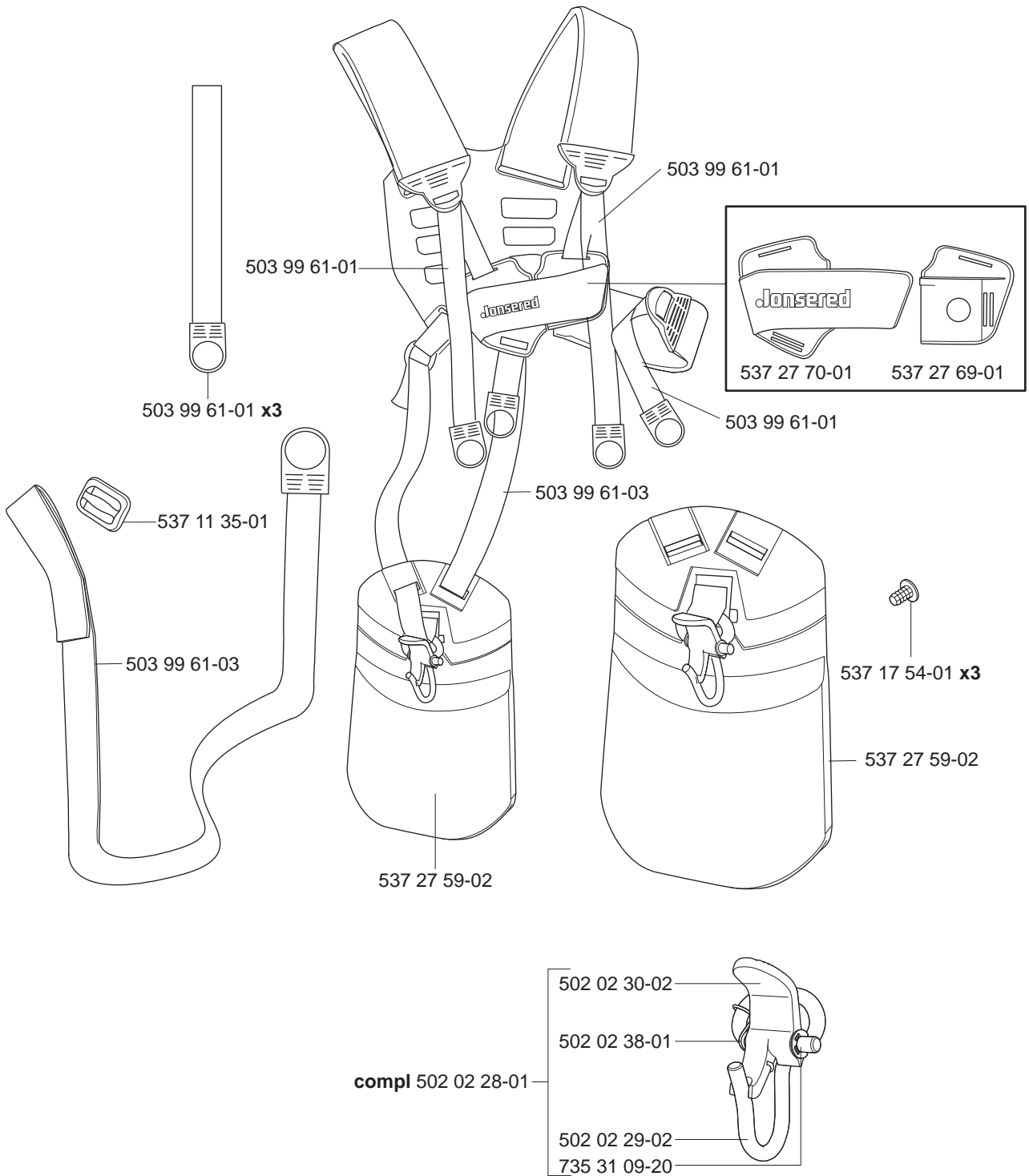
**S** Accessories  
 Zubehöre  
 Accessoires  
 Accesorios  
 Tillbehör

\*compl 502 21 60-01 (2032)  
 \*\*compl 502 21 60-14 (2036)

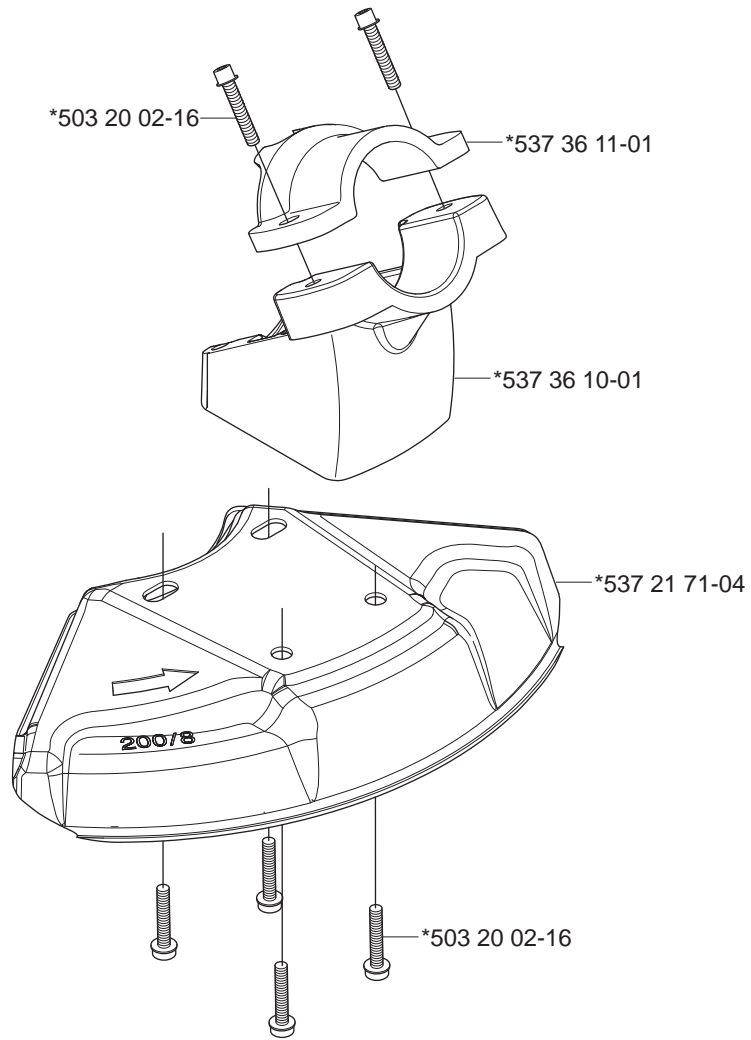


**T** FC  
compl 537 27 58-01  
compl 537 27 58-03 US

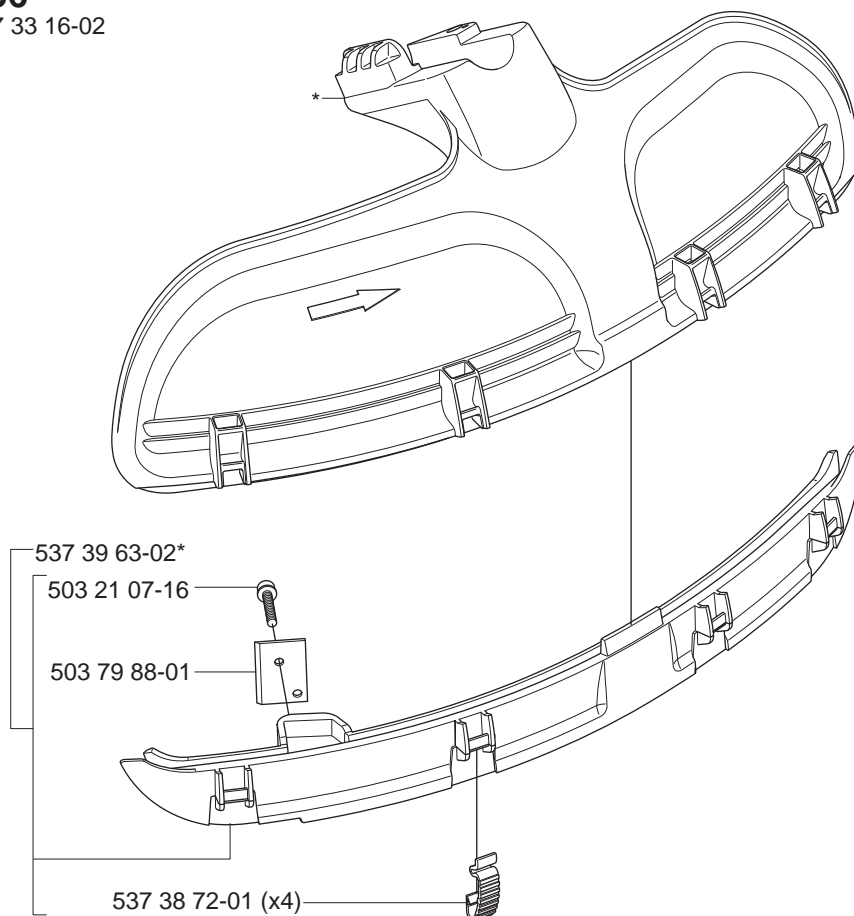
# Vector 2-55, 2-35



**U GR 2036**  
\*compl 537 38 77-01



**U GR 2036**  
\*compl 537 33 16-02



PART NUMBER	SQUARE	NOTE	PART NUMBER	SQUARE	NOTE	PART NUMBER	SQUARE	NOTE	PART NUMBER	SQUARE	NOTE
501 19 22-01	S		503 20 02-45	E		503 79 41-01	BC		537 05 18-01	R	
501 27 82-01	M		503 20 07-20	A		503 79 56-01	B		537 05 27-01	LR	
501 46 69-01	R		503 20 07-25	AB		503 79 88-01	SU		537 07 71-02	C	
501 46 84-01	R		503 20 07-30	DG		503 79 90-01	BD		537 10 08-01	H	
501 46 85-01	R		503 20 07-35	CF		503 80 17-01	S		537 11 35-01	T	
501 46 87-01	R		503 20 15-01	A		503 80 45-02	C		537 14 74-01	A	
501 48 54-02	P		503 20 15-02	A		503 81 24-01	P		537 16 02-04	F	
501 60 02-03	S		503 20 25-16	P		503 81 29-01	P		537 16 03-03	F	
501 66 61-01	R		503 20 29-63	N		503 82 80-04	M		537 16 06-02	F	
501 66 78-01	R		503 21 07-16	BSU		503 85 32-01	A		537 16 07-02	F	
502 02 28-01	T		503 21 07-45	C		503 85 63-01	A		537 16 08-02	F	
502 02 29-02	T		503 21 29-06	Q		503 88 94-01	D		537 17 28-06	E	
502 02 30-02	T		503 21 47-27	H		503 88 95-01	B		537 17 29-03	E	
502 02 38-01	T		503 21 49-25	GQ		503 89 01-01	S		537 17 42-01	F	
502 10 30-01	R		503 21 66-16	F		503 89 01-02	S		537 17 43-01	F	
502 10 31-01	R		503 21 66-18	F		503 89 67-01	R		537 17 54-01	T	
502 11 46-02	S		503 21 67-22	BC		503 90 46-01	N		537 18 35-09	F	
502 18 94-02	G		503 21 77 16	Q		503 90 47-02	N		537 18 95-01	A	
502 18 94-03	G		503 22 04-01	P		503 90 67-01	K		537 21 62-01	S	
502 18 98-01	C		503 22 10-13	F		503 91 07-01	K		537 21 62-02	S	
502 19 58-14	CE		503 22 65-04	C		503 91 25-01	N		537 21 71-04	U	
502 19 60-02	E		503 22 72-01	M		503 91 34-01	K		537 27 58-01	T	
502 19 71-01	BD		503 22 73-01	A		503 91 39-01	R		537 27 58-03	T	
502 19 84-01	L		503 23 51-08	J		503 91 40-01	R		537 27 59-02	T	
502 19 86-02	L		503 24 44-01	P		503 91 51-01	R		537 27 69-01	T	
502 19 90-04	C		503 25 11-01	K		503 91 54-01	R		537 27 70-01	T	
502 19 91-08	C		503 25 28-01	A		503 91 57-01	R		537 29 26-01	S	
502 19 92-03	C		503 28 90-27	J		503 91 58-01	R		537 31 29-01	S	
502 19 94-03	C		503 41 41-01	JK		503 92 22-01	M		537 33 16-02	U	N
502 19 95-03	E		503 44 32-01	M		503 92 23-01	R		537 34 35-01	A	N
502 20 06-01	Q		503 52 12-04	G		503 93 66-01	L		537 35 14-01	A	N
502 20 31-02	D		503 57 42-01	R		503 93 86-01	H		537 36 10-01	U	N
502 20 32-01	BD		503 68 64-02	J		503 97 37-05	H		537 36 11-01	U	N
502 20 33-02	D		503 69 46-01	J		503 97 37-06	H		537 38 72-01	U	N
502 20 65-01	L		503 69 67-01	A		503 97 37-07	H		537 38 77-01	U	N
502 20 69-01	C		503 70 07-02	A		503 97 65-01	S		537 39 63-02	U	N
502 20 83-02	L		503 70 29-02	A		503 98 81-01	M		544 08 76-01	A	N
502 20 84-01	L		503 70 55-01	A		503 99 44-01	R		544 18 20-01	G	N
502 20 88-01	J		503 71 40-01	G		503 99 45-01	R		544 18 32-01	D	N
502 21 12-01	C		503 71 43-01	B		503 99 46-01	R		544 21 64-01	A	N
502 21 23-01	L		503 71 82-01	BCF		503 99 47-01	R		544 25 08-01	F	N
502 21 28-04	K		503 72 10-04	C		503 99 48-01	R		544 25 10-01	F	N
502 21 32-01	R		503 72 12-02	B		503 99 61-01	T		544 25 14-01	F	N
502 21 33-01	R		503 72 13-02	B		503 99 61-03	T		725 23 81-51	CE	
502 21 35-01	R		503 72 14-02	B		503 99 77-01	Q		725 53 72-55	M	
502 21 37-01	R		503 72 15-02	B		504 13 08-07	R		731 23 14-01	BDEL	
502 21 43-02	J		503 72 18-02	B		504 13 09-06	R		731 71 14-51	L	
502 21 57-03	G		503 72 24-02	B		504 21 00-16	G		735 31 09-20	T	
502 21 58-01	S		503 72 25-02	B		504 21 00-49	R		735 31 11-00	A	
502 21 60-01	S		503 72 29-02	C		504 21 00-50	R		735 31 14-00	AG	
502 21 60-14	S		503 72 43-04	C		505 30 51-25	Q		735 31 25-10	A	
502 21 70-02	E		503 72 49-01	S		505 31 67-17	R		735 31 28-10	A	
502 21 85-01	Q		503 72 80-01	J		505 31 67-45	R		735 31 31-10	A	
502 21 92-04	A		503 73 42-01	B		505 31 67-54	R		737 44 10-00	J	
502 21 92-08	A		503 73 43-01	B		505 31 67-82	R		738 21 01-10	A	
502 21 93-01	CE		503 73 47-02	B		505 52 01-10	R		738 21 01-12	A	
502 21 95-03	Q		503 73 58-01	M		505 52 01-25	R		738 21 99-00	A	
502 21 95-04	Q		503 74 29-01	S		505 52 01-27	R		738 22 01-19	A	
502 21 98-20	Q		503 74 40-03	S		506 02 81-01	R				
502 21 98-21	Q		503 74 50-03	S		530 02 98-05	J				
502 21 98-22	Q		503 74 95-01	G		530 03 51-73	R				
502 26 23-01	S		503 75 00-01	C		537 02 48-01	L				
502 28 59-01	S		503 75 34-01	A		537 02 87-01	H				
502 28 61-01	BD		503 77 39-01	S		537 02 87-02	H				
503 10 47-01	R		503 77 53-01	Q		537 02 88-01	L				
503 10 87-01	R		503 77 63-01	S		537 03 76-02	H				
503 11 70-01	R		503 78 04-04	C		537 03 85-01	P				
503 16 13-02	G		503 78 05-04	B		537 04 24-02	L				
503 20 02-10	A		503 79 05-01	P		537 04 24-03	M				
503 20 02-16	U		503 79 06-01	P		537 04 24-04	M				

N = New part  
 Neues teil  
 Nouvelle pièce  
 Nueva pieza  
 Ny detalj