

LT2122 CMA

Spare parts

Ersatzteile

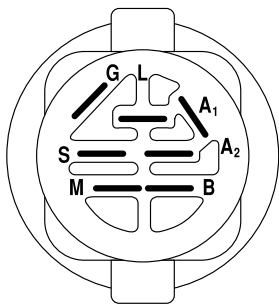
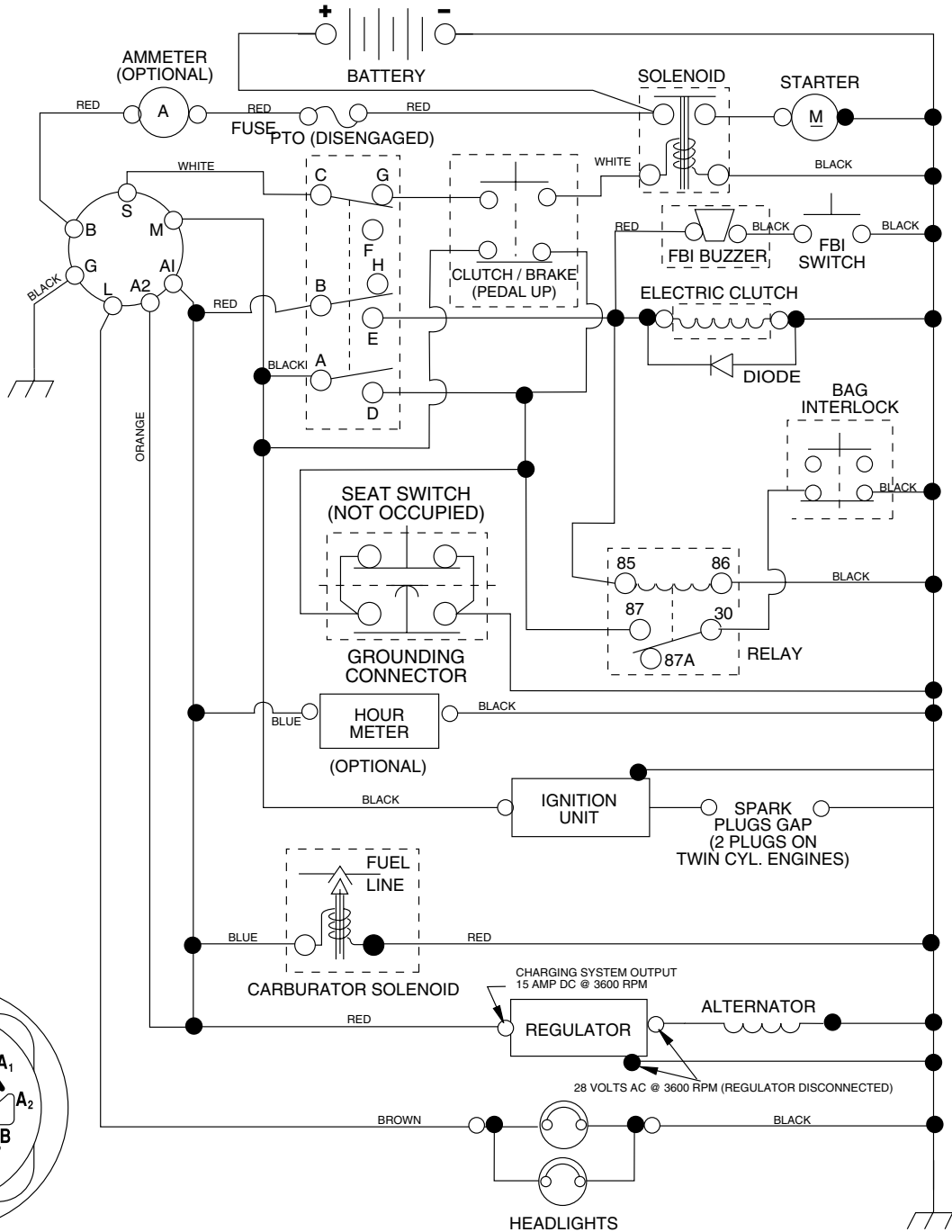
Pièces détachées

Reserve onderdelen

Repuestos

Reservdelar

TRACTOR- -MODEL NO. LT2122CMA (J2122CMAC), PRODUCT NO. 954 13 02-18 SCHEMATIC

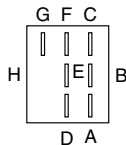


IGNITION SWITCH

| POSITION | CIRCUIT | "MAKE" |
|-----------|------------|--------|
| OFF | M+G+A1 | NONE |
| RUN/LIGHT | B+A1 | A2+L |
| RUN | B+A1 | NONE |
| START | B + S + A1 | NONE |

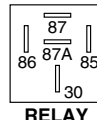
WIRING INSULATED CLIPS
NOTE: IF WIRING INSULATED CLIPS WERE REMOVED FOR SERVICING OF UNIT, THEY SHOULD BE REPLACED TO PROPERLY SECURE YOUR WIRING.

02751



PTO SWITCH

| POSITION | CIRCUIT |
|----------|---------------------|
| OFF | C + G, B + H |
| ON | C + F, B + E, A + D |



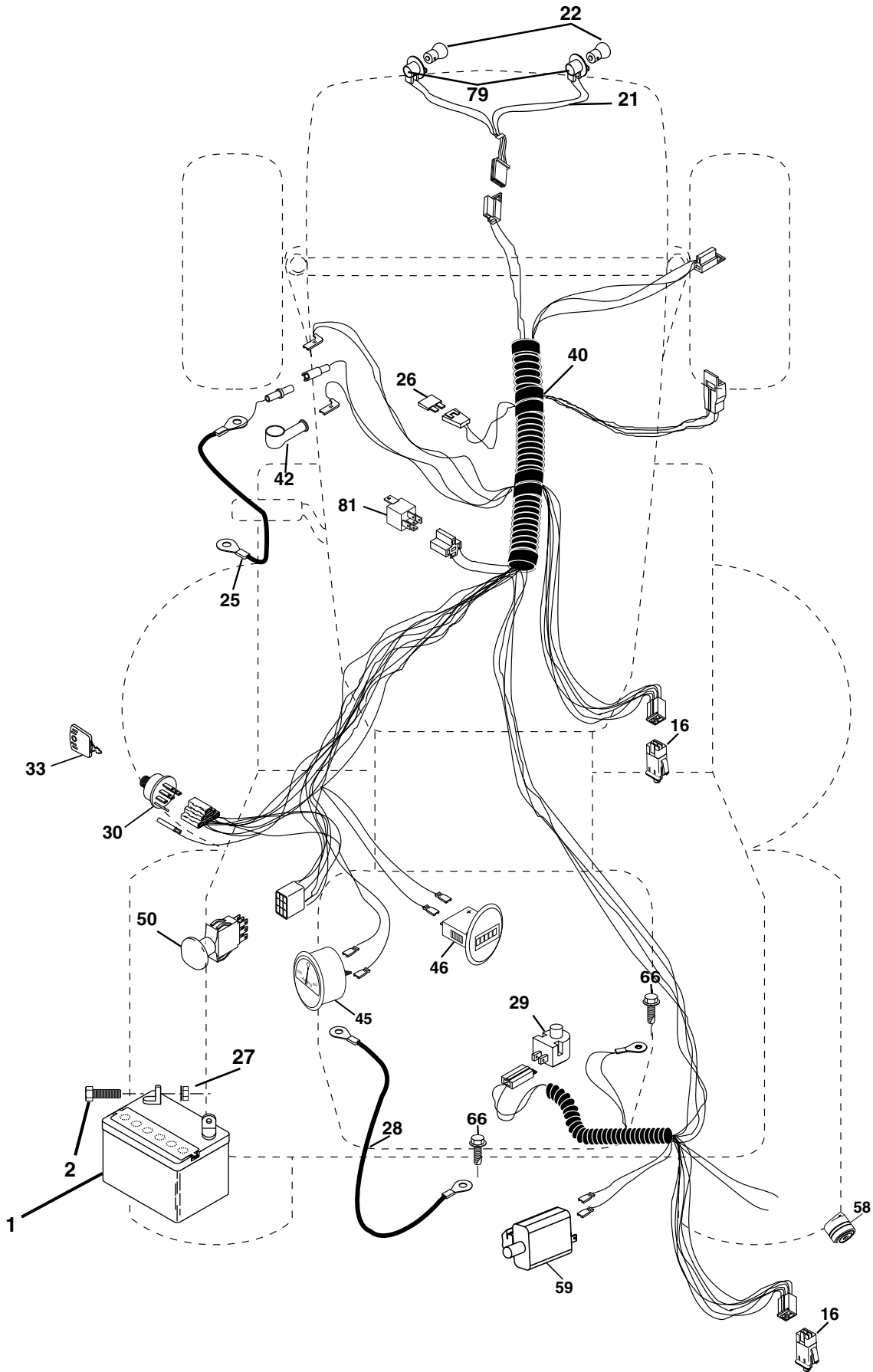
RELAY

● NON-REMOVABLE CONNECTIONS

○ REMOVABLE CONNECTIONS

REPAIR PARTS

TRACTOR- -MODEL NO. LT2122CMA (J2122CMAC), PRODUCT NO. 954 13 02-18
ELECTRICAL



REPAIR PARTS

TRACTOR- -MODEL NO. LT2122CMA (J2122CMAC), PRODUCT NO. 954 13 02-18
ELECTRICAL

| KEY NO. | PART NO. | DESCRIPTION |
|------------|--------------|---------------------------------|
| 1 | 532 14 49-27 | Battery |
| 2 | 874 76 04-12 | Bolt Hex Hd 1/4-20 unc x 3/4 |
| 16 | 532 17 61-38 | Switch Interlock Push-In |
| 21 | 532 17 56-88 | Harness Asm Light W/4152J |
| 22 | 532 0041-52 | Bulb Light #1156 |
| 25 | 532 18 85-44 | Cable Battery |
| 26 | 532 17 51-58 | Fuse 20 Amp |
| 27 | 873 51 04-00 | Nut Keps Hex 1/4-20 unc |
| 28 | 532 12 77-25 | Cable Ground 6Ga 18" Black |
| 29 | 532 12 13-05 | Switch Plunger Normal Op Gray |
| 30 | 532 17 55-66 | Switch Ignition |
| 33 | 532 14 04-01 | Key Ign |
| 40 | 532 18 80-39 | Harness Ign Crd Elect |
| 42 | 532 15 43-36 | Cover Terminal Red |
| 45 | 532 17 75-00 | Ammeter Round |
| 46 | 532 17 75-01 | Meter Hour |
| 50 | 532 17 46-51 | Switch PTO |
| 58 | 532 16 94-19 | Buzzer Crd |
| 59 | 532 18 03-79 | Switch FBI CRD |
| 66 | 817 49 06-08 | Screw Thdrol 3/8-16 x 1/2 Ty-Tt |
| 79 | 532 17 52-42 | Socket Asm Bulb Twistlock |
| 81 | 532 10 97-48 | Relay Asm |

NOTE: All component dimensions given in U.S. inches.
1 inch = 25.4 mm.

REPAIR PARTS

TRACTOR- -MODEL NO. LT2122CMA (J2122CMAC), PRODUCT NO. 954 13 02-18 CHASSIS AND ENCLOSURES

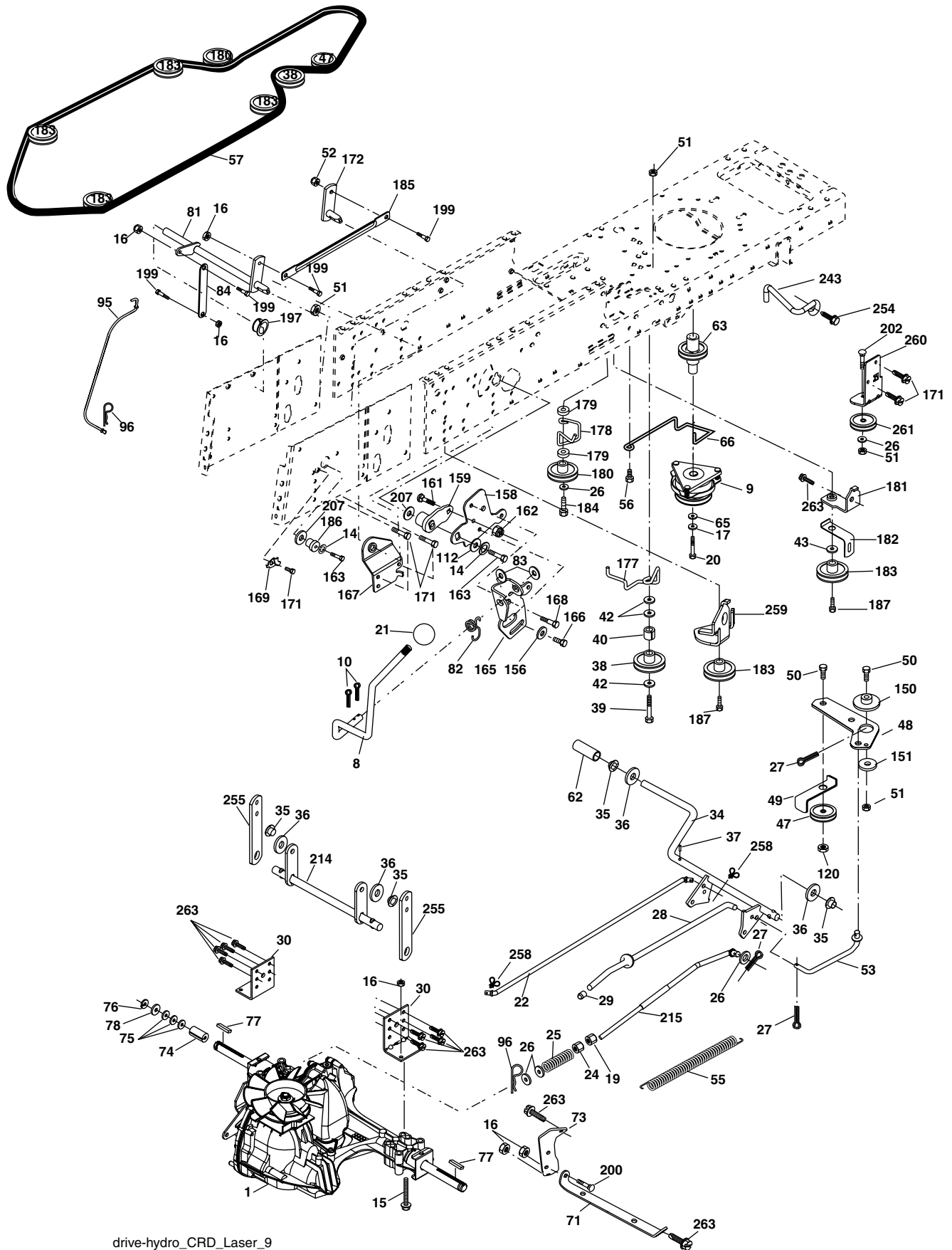
| KEY NO. | PART NO. | DESCRIPTION | KEY NO. | PART NO. | DESCRIPTION |
|---------|--------------|--------------------------------|---------|--------------|-------------------------------------|
| 1 | 532 17 46-20 | Chassis | 162 | 532 18 03-82 | Bracket Exten Chassis Lh CRD |
| 2 | 532 18 03-84 | Drawbar | 163 | 532 18 03-83 | Bracket Exten Chassis Rh CRD |
| 3 | 817 06 06-12 | Screw 3/8-16 x 3/4 | 164 | 532 16 56-05 | Support Battery CRD |
| 6 | 532 18 44-19 | Saddle | 165 | 532 18 13-56 | Cover Battery |
| 8 | 532 12 64-71 | Clip Insulator 13/32 Mtg. Hole | 166 | 532 17 18-75 | Screw HwHd Hi-Lo #13-16 x 3/4 |
| 9 | 532 19 13-39 | Dash | 170 | 532 17 88-62 | Backplate CRD |
| 10 | 872 14 06-08 | Bolt, Carriage 3/8-16 x 1 | 171 | 872 14 06-20 | Bolt Rdhd Sqnk 3/8-16 x 2-1/2 Gr. 5 |
| 11 | 532 16 72-03 | Panel, Dash, L.H. | 172 | 819 13 20-16 | Washer 13/32 x 1-1/4 x 16 Ga. |
| 13 | 532 17 82-98 | Panel, Asm. Dash R.H. | 173 | 873 51 06-00 | Nut, Keps Hex 3/8-16 unc |
| 17 | 532 18 13-51 | Hood | 175 | 532 18 82-03 | Door Trap |
| 24 | 874 78 06-16 | Bolt | 179 | 532 18 82-02 | Rod Pivot FBI CRD |
| 25 | 819 13 13-12 | Washer 13/32 x 13/16 x 12 Ga. | 184 | 532 17 46-62 | Bracket Actuator Bagger CRD |
| 26 | 873 80 06-00 | Nut | 185 | 532 18 11-01 | Knob Rod Brake Parking |
| 28 | 532 18 13-52 | Grille | 186 | 532 16 07-93 | Latch Asm Mulch/Bagger |
| 29 | 532 16 18-40 | Lens, Grille | 187 | 532 12 50-04 | Nut Weld |
| 30 | 532 18 13-59 | Fender | 188 | 819 06 12-16 | Washer #10 |
| 31 | 532 16 51-56 | Bracket, Fender Support | 189 | 810 07 10-00 | Washer Lock #10 |
| 33 | 532 18 11-93 | Footrest, L.H. | 190 | 871 08 10-10 | Screw Pan Hd Phillip 10-24 x 5/8 |
| 34 | 532 18 11-94 | Footrest, R.H. | 198 | 532 16 89-37 | Nut, Push |
| 35 | 872 11 06-06 | Bolt | 205 | 817 49 06-08 | Screw Thdrol 3/8-16 x 1/2 |
| 37 | 817 49 05-08 | Screw Thdrol 5/16-18 x 1/2 TYT | 207 | 817 67 05-08 | Screw Thdrol 5/16-18 x 1/2 |
| 38 | 532 18 17-48 | Bracket Asm Pivot Mower Rear | 209 | 817 00 06-12 | Screw Hex Wsh Thdrol 3/8-16 |
| 54 | 532 1614-64 | Screw Hex WsHd 8-18 x 7/8 | 256 | 532 18 13-61 | Cover Fender Rack CRD |
| 58 | 532 17 53-51 | Duct Air Engine | 265 | 532 18 57-04 | Seal RH Side Bagger |
| 64 | 532 18 43-40 | Bracket, Lower dash | 266 | 532 18 57-03 | Seal LH Side Bagger |
| 69 | 532 14 24-32 | Screw Hex Wsh | 278 | 532 19 16-11 | Screw 10 x 3/4 Single Lead-Hex |
| 89 | 532 18 13-60 | Console | | | |
| 145 | 532 15 65-24 | Rod Pivot Chassis/Hood | | | |
| 154 | 532 18 39-25 | Bracket, RH Dash | | | |
| 155 | 532 18 39-26 | Bracket, LH Dash | | | |
| 161 | 532 16 46-55 | Bumper Extrusion | | | |

NOTE: All component dimensions given in U.S. inches.
1 inch = 25.4 mm.

REPAIR PARTS

TRACTOR- -MODEL NO. LT2122CMA (J2122CMAC), PRODUCT NO. 954 13 02-18

DRIVE



REPAIR PARTS

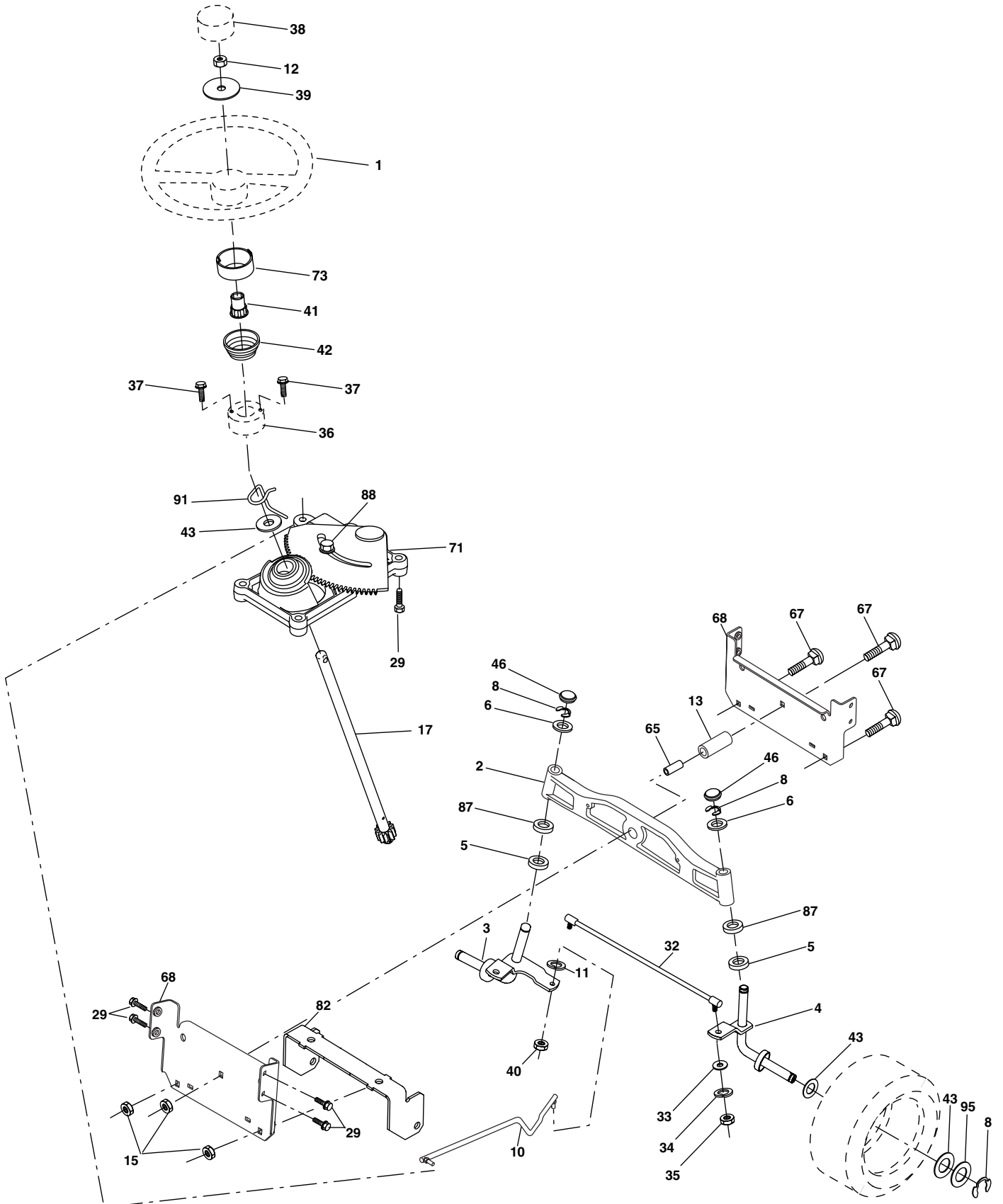
TRACTOR- -MODEL NO. LT2122CMA (J2122CMAC), PRODUCT NO. 954 13 02-18
DRIVE

| KEY NO. | PART NO. | DESCRIPTION | KEY NO. | PART NO. | DESCRIPTION |
|---------|---------------------|--|---------|--------------|---------------------------------------|
| 1 | ----- | Transaxle Hydro Gear 321-0510 (Order parts from transaxle manufacturer) | 83 | 819 17 12-16 | Washer 17/32 x 3/4 x 16 Ga. |
| 8 | 532 16 56-19 | Rod, Shift Fender Adjust Lt | 84 | 532 17 00-07 | Link, Transaxle |
| 9 | 532 18 02-20 | Clutch Ele | 95 | 532 17 00-15 | Control Asm Bypass Hydro |
| 10 | 876 02 04-16 | Pin, Cotter 1/8 x 1 | 96 | 532 12 47-88 | Spring, Retainer 1" |
| 14 | 810 04 04-00 | Washer, Lock Hvy Helical | 120 | 873 90 06-00 | Nut Lock Flg. 3/8-16 unc |
| 16 | 873 80 05-00 | Nut, Lock Hex w/Ins 5/16-18 unc | 145 | 874 49 05-44 | Bolt Hex FGHD 5/16-18 x Gr 5 |
| 17 | 810 04 07-00 | Washer Lock Hvy Hlcl 7/16 | 150 | 532 16 58-50 | Bushing, Bellcrank Grnd Dr |
| 19 | 873 80 06-00 | Nut Lock Hex w/Ins 3/8-16 unc | 151 | 819 13 32-10 | Washer 13/32 x 2 x 10 Ga. |
| 20 | 532 17 39-37 | Bolt, Hex 7/16-20 x 4 x Gr. 5-1.5 Thr | 156 | 532 16 60-02 | Washer Srrted 5/16 ID x 1.125 |
| 21 | 532 13 05-64 | Knob Deluxe | 158 | 532 16 55-89 | Bracket Shift Mount |
| 22 | 532 17 56-07 | Rod, Brake | 159 | 532 18 39-00 | Hub Tapered Flange Shift Lt |
| 24 | 873 35 06-00 | Nut | 161 | 872 14 04-06 | Bolt Rdhd Sqnk 1/4-20 x 3/4 Gr 5 |
| 25 | 532 19 20-36 | Spring, Rod, Brake | 162 | 873 68 04-00 | Nut Crownlock 1/4-20 unc |
| 26 | 819 13 13-16 | Washer 13/32 x 13/16 x 16 Ga. | 163 | 874 78 04-16 | Bolt Hex Fin 1/4-20 unc x 1 Gr 5 |
| 27 | 876 02 04-12 | Pin, Cotter 1/8 x 3/4 | 164 | 819 09 12-10 | Washer 9/32 x 3/4 x 10 Ga. |
| 28 | 532 17 57-65 | Rod, Parking Brake | 165 | 532 16 56-23 | Bracket Pivot Lever |
| 29 | 532 07 16-73 | Cap, Parking Brake | 166 | 817 49 05-10 | Screw 5/16-18 x 5/8 |
| 30 | 532 16 95-92 | Bracket, Mfg. Transaxle | 167 | 532 16 55-88 | Bracket Support Shift CRD |
| 34 | 532 17 55-78 | Shaft, Asm Pedal Foot CRD | 168 | 532 16 54-92 | Bolt Shoulder 5/16-18 x .561 |
| 35 | 532 12 01-83 | Bearing, Nylon | 169 | 532 16 55-80 | Plate Fastening Lt |
| 36 | 819 21 16-16 | Washer 21/32 x 1 x 16 Ga. | 171 | 817 49 06-08 | Screw Thdrol 3/8-16 x 1/2 Ty-Tt |
| 37 | 532 12 49-63 | Pin, Roll 3/16 x 1" | 172 | 532 17 02-71 | Shaft Asm Shifter Frt CRD |
| 38 | 532 16 59-36 | Pulley Flat Composite 3.06" | 177 | 532 16 59-32 | Keeper Flat Idler 3.06" CRD |
| 39 | 874 76 06-44 | Bolt Fin Hex 3/8-16 unc x 2-3/4 | 178 | 532 16 59-33 | Keeper Belt Idler 1.88" CRD |
| 40 | 532 12 49-65 | Spacer, Split 395 x 59 Bzp | 179 | 532 12 09-58 | Washer Sintered |
| 42 | 819 13 13-12 | Washer 13/32 x 13/16 x 12 Ga. | 180 | 532 16 56-30 | Pulley, Idler, Flat 1.88"CRD |
| 43 | 819 11 10-12 | Washer 11/32 x 5/8 x 12 Ga. | 181 | 532 18 02-11 | Bracket Idler Ground Drive CRD |
| 47 | 532 12 77-83 | Pulley, Idler, V Groove Plasic | 182 | 532 18 26-82 | Keeper Belt 2.5" Od V-Idler CRD |
| 48 | 532 15 44-07 | Bellcrank Clutch Grnd Drv | 183 | 532 18 60-07 | Pulley V-Idler 2.50" Od CRD |
| 49 | 532 12 32-05 | Retainer, Belt Style Spring | 184 | 817 49 06-44 | Screw Hexwsh Thdrol 3/8-16 x 2-3/4 |
| 50 | 872 11 06-12 | Bolt Carr. Sh. 3/8-16 x 1-1/2 Gr. 5 | 185 | 532 17 00-08 | Link Shift |
| 51 | 873 68 06-00 | Nut, Crownlock 3/8-16 unc | 186 | 532 16 56-14 | Hub Tapered Round CRD |
| 52 | 873 6805-00 | Nut Crownlock 5/16-18 | 187 | 817 58 05-20 | Screw Thdrol 5/16-18 x 1.25 |
| 53 | 532 10 57-10 | Link, Clutch 7.66 | 197 | 532 16 96-13 | Nyliner Snap-In 5/8 |
| 55 | 532 10 57-09 | Spring, Return, Clutch | 199 | 532 16 96-12 | Bolt Shoulder 5/16-18 unc |
| 56 | 817 06 06-20 | Screw 3/8-16 x 1-1/4 | 200 | 872 14 05-08 | Bolt RDHD SQNK 5/16-18 x 1 |
| 57 | 532 17 01-40 | V-Belt Kev 112" 0650 CRD | 202 | 872 11 06-14 | Bolt Carr. Sh. 3/8-16 x 1-3/4 Gr. 5 |
| 62 | 532 12 48-72 | Cover, Pedal | 207 | 532 16 98-45 | Washer Nylon Rear |
| 63 | 532 18 03-97 | Pulley, Engine | 214 | 532 17 56-09 | Shaft Asm. Brake |
| 65 | 532 12 61-97 | Washer | 215 | 532 17 56-52 | Rod Brake Hydro |
| 66 | 532 15 47-78 | Keeper, Belt Engine F-Proof | 243 | 532 19 07-36 | Bracket Anti Rotation |
| 71 | 532 16 91-83 | Strap, Torque, Lh | 254 | 817 00 06-16 | Screw 3/8-16 x 1 |
| 73 | 532 16 91-82 | Strap, Torque, Rh | 255 | 532 17 56-08 | Brace Shaft Brake Mtg. |
| 74 | 532 13 70-57 | Spacer, Split | 258 | 532 17 80-62 | Clip Retainer |
| 75 | 532 12 17-49 | Washer 25/32 x 1-1/4 x 16 Ga. | 259 | 532 18 02-12 | Bracket Pulley |
| 76 | 812 00 00-01 | Ring, E | 260 | 532 18 17-81 | Bracket Idler Chassis |
| 77 | 532 12 35-83 | Key, Square | 261 | 532 13 14-94 | Pulley Idler Flat |
| 78 | 532 12 17-48 | Washer 25/32 x 1-5/8 x 16 Ga. | 263 | 817 00 06-12 | Screw Hx Wsh Thdrol 3/8-16 x 3/4 |
| 81 | 532 17 00-06 | Asm, Shaft | | | |
| 82 | 532 16 57-11 | Spring, Torsion | | | |

NOTE: All component dimensions given in U.S. inches
1 inch = 25.4 mm

REPAIR PARTS

TRACTOR- -MODEL NO. LT2122CMA (J2122CMAC), PRODUCT NO. 954 13 02-18
STEERING ASSEMBLY



steering_stealth_prem_3

REPAIR PARTS

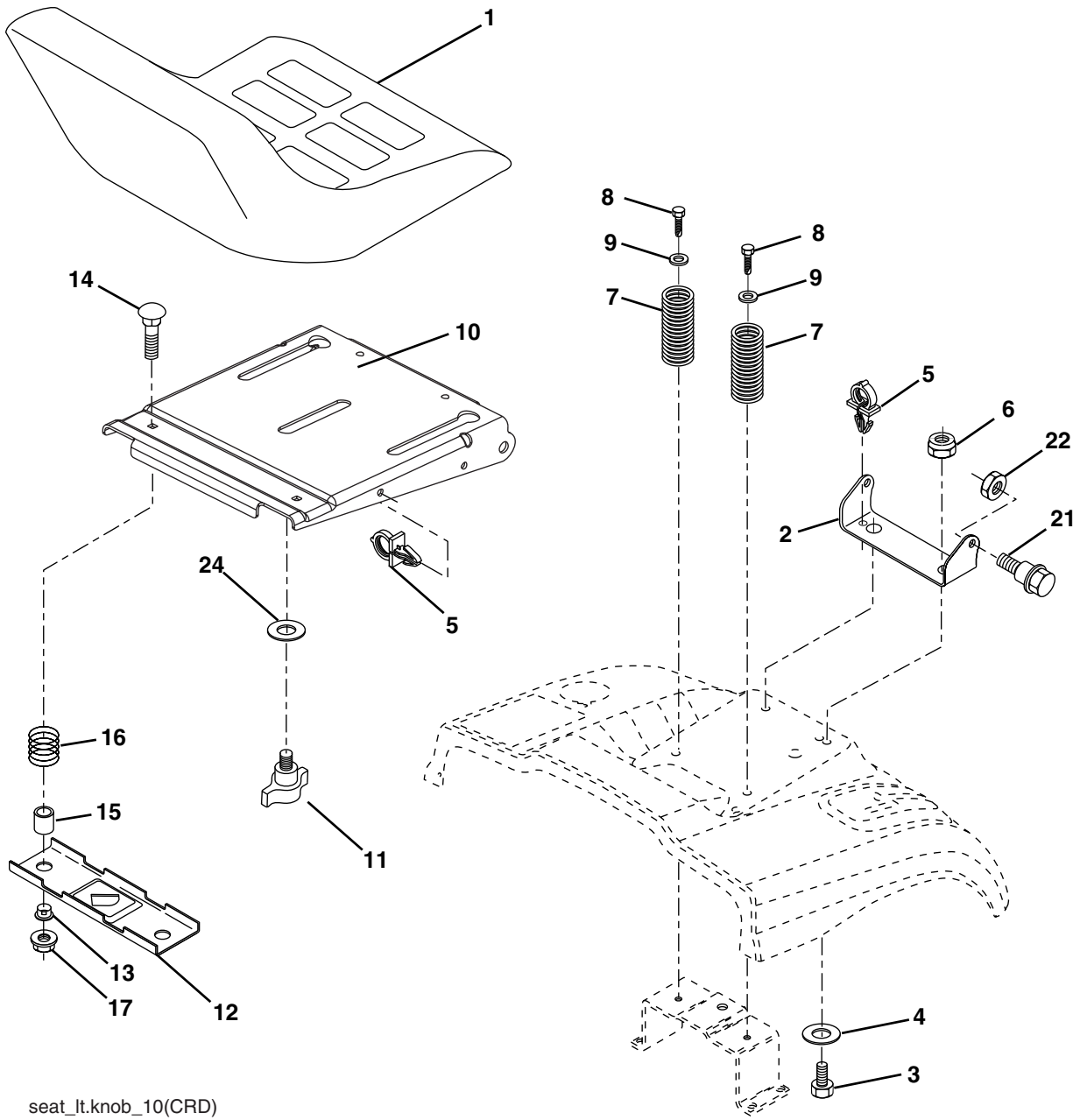
TRACTOR- -MODEL NO. LT2122CMA (J2122CMAC), PRODUCT NO. 954 13 02-18 STEERING ASSEMBLY

| KEY NO. | PART NO. | DESCRIPTION |
|---------|--------------|----------------------------------|
| 1 | 532 17 20-92 | Steering Wheel |
| 2 | 532 18 47-06 | Front Axle Assembly |
| 3 | 532 16 98-40 | Spindle Assembly, L.H. |
| 4 | 532 16 98-39 | Spindle Assembly, R.H. |
| 5 | 532 12 49-31 | Bearing, Race, Thrust, Hardened |
| 6 | 532 12 17-48 | Washer 25/32 x 1-5/8 x 16 Ga. |
| 8 | 812 00 00-29 | Ring, Klip |
| 10 | 532 17 51-21 | Link, Drag |
| 11 | 810 04 06-00 | Washer, Lock |
| 12 | 873 94 08-00 | Nut Hex Jam Toplock 1/2-20 unf |
| 13 | 532 13 65-18 | Spacer Axle |
| 15 | 532 14 52-12 | Nut Hex Flange Lock |
| 17 | 532 17 78-83 | Shaft Assembly, Steering |
| 29 | 817 00 06-12 | Screw 3/8-16 x 3/4 |
| 32 | 532 17 18-88 | Rod, Tie |
| 33 | 819 11 12-16 | Washer 11/32 x 3/4 x 16 Ga. |
| 34 | 810 04 05-00 | Washer Lock Hvy Hlcl Spr 5/16 |
| 35 | 873 54 05-00 | Crownlock Nut 5/16-24 unf |
| 36 | 532 14 52-07 | Bushing, Steering |
| 37 | 532 15 29-27 | Screw TT #10-32 x 5 x 3/8 Flange |
| 38 | 532 17 20-93 | Cap Wheel Steer |
| 39 | 819 18 24-11 | Washer 9/16 ID x 1-1/2 OD 11 Ga. |
| 40 | 873 54 06-00 | Nut Crownlock 3/8-24 |
| 41 | 532 15 99-45 | Adaptor, Steering Wheel |
| 42 | 532 17 71-49 | Boot, Steering Dash |
| 43 | 532 12 17-49 | Washer 25/32 x 1-1/4 x 16 Ga. |
| 46 | 532 12 12-32 | Cap, Spindle |
| 65 | 532 16 03-67 | Spacer Axle |
| 67 | 872 11 06-18 | Bolt Rdhd Sq 3/8-16 x 2-1/4 |
| 68 | 532 16 98-27 | Brace Axle |
| 71 | 532 17 51-46 | Steering Asm. |
| 73 | 532 18 14-49 | Extension Steering |
| 82 | 532 16 98-35 | Bracket Susp. Chassis Front |
| 87 | 532 17 39-66 | Washer Flat .781 x 1-1/2 x .14 |
| 88 | 532 17 51-18 | Bolt Shoulder 7/16-20 unc |
| 91 | 532 17 55-53 | Clip Steering |
| 95 | 532 18 89-67 | Washer Harden .793 x 1.637 x 060 |

NOTE: All component dimensions given in U.S. inches.
1 inch = 25.4 mm.

REPAIR PARTS

TRACTOR- -MODEL NO. LT2122CMA (J2122CMAC), PRODUCT NO. 954 13 02-18
SEAT ASSEMBLY



seat_lt.knob_10(CRD)

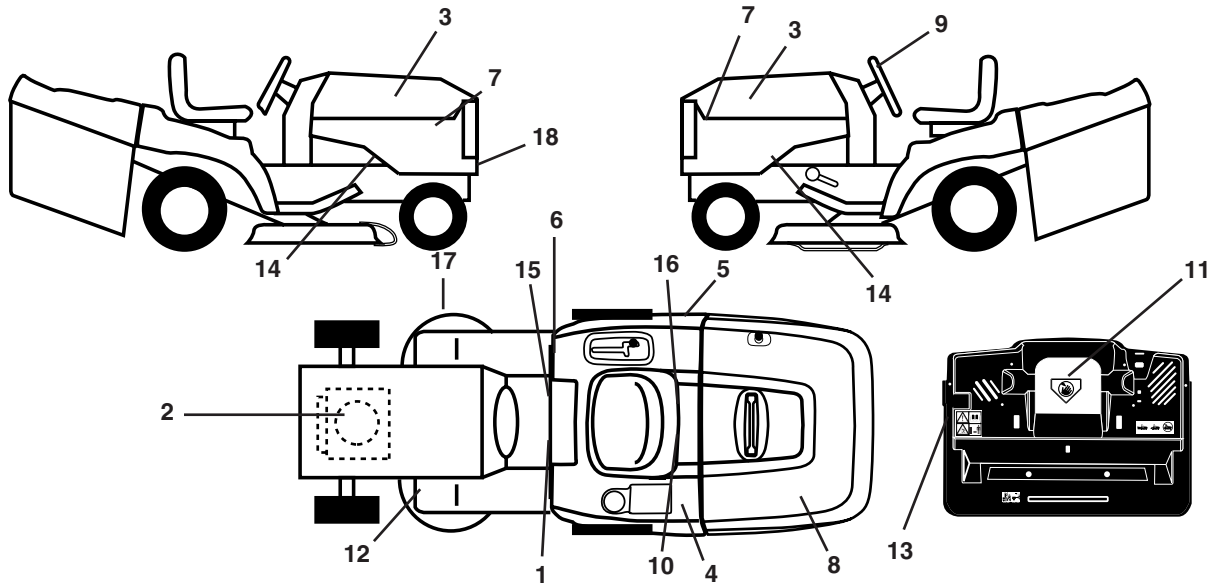
| KEY NO. | PART NO. | DESCRIPTION |
|---------|--------------|--------------------------------|
| 1 | 532 18 87-06 | Seat |
| 2 | 532 18 01-66 | Bracket Pnt Pivot Seat (blk) |
| 3 | 871 11 06-16 | Bolt Fin Hex 3/8-16 x 1 |
| 4 | 819 13 16-10 | Washer flat 13/32 x 1 x 10 Ga. |
| 5 | 532 14 50-06 | Clip Push In Hinged |
| 6 | 873 80 06-00 | Nut Lock Hex 3/8-16 unc |
| 7 | 532 12 41-81 | Spring Seat Cprsn 2 250 Blk Zi |
| 8 | 817 00 06-16 | Screw 3/8-16 x 1-1/2 |
| 9 | 819 13 16-14 | Washer 13/32 x 1 x 14 Ga |
| 10 | 532 18 01-86 | Pan Pnt Seat |
| 11 | 532 16 63-69 | Knob Seat Adj. Wingnut |
| 12 | 532 12 12-46 | Bracket Pnt Mounting Switch |

| KEY NO. | PART NO. | DESCRIPTION |
|---------|--------------|---------------------------------|
| 13 | 532 12 12-48 | Bushing Snap Blk Nyl 50 Id |
| 14 | 872 05 04-12 | Bolt Rdhd Sht Nk 1/4-20 x 1-1/2 |
| 15 | 532 12 12-49 | Spacer Split 28 x 88 Zinc |
| 16 | 532 12 37-40 | Spring Cprsn |
| 17 | 532 12 39-76 | Nut Lock 1/4 Lge Flg Gr 5 Zinc |
| 21 | 532 17 18-52 | Bolt Shoulder 5/16-18 unc-2A |
| 22 | 873 80 05-00 | Nut Hex Lock w/Ins 5/16-18 |
| 24 | 819 17 19-12 | Washer 17/32 x 1-3/16 x 12 Ga. |

NOTE: All component dimensions given in U.S. inches.
1 inch = 25.4 mm

REPAIR PARTS

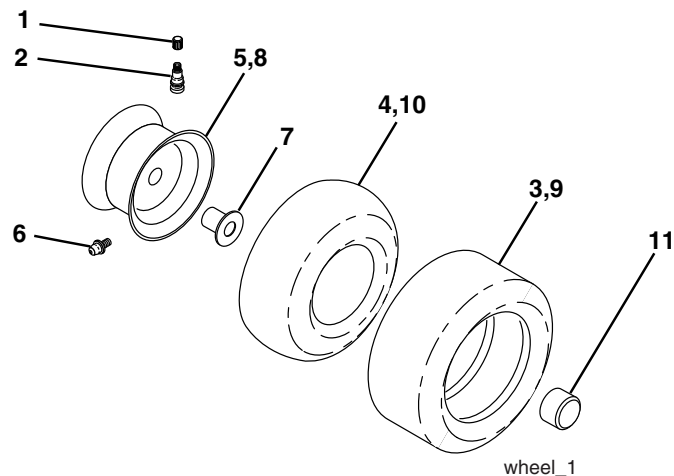
TRACTOR- -MODEL NO. LT2122CMA (J2122CMAC), PRODUCT NO. 954 13 02-18
DECALS



| KEY NO. | PART NO. | DESCRIPTION |
|---------|--------------|-------------------------------|
| 1 | 532 14 54-98 | Decal Read Owner's Manual Sym |
| 2 | 532 18 91-53 | Decal Hp Engine |
| 3 | 532 18 95-53 | Decal Hood RH/LH |
| 4 | 532 18 39-30 | Decal Fender |
| 5 | 532 18 88-29 | Decal Fender |
| 6 | 532 18 04-32 | Decal 100 DBA/CE |
| 7 | 532 18 88-76 | Decal Side Panels |
| 8 | 532 18 39-31 | Decal Bagger |
| 9 | 532 18 57-73 | Decal Ins Strg Whl |
| 10 | 532 14 50-05 | Decal Bat Dan/Poi P/L Sym Wpn |
| 11 | 532 18 21-66 | Decal Mower Cut Finger Symbol |
| 12 | 532 15 97-37 | Decal Brake/Clutch Symbol Lt |

| KEY NO. | PART NO. | DESCRIPTION |
|---------|---------------------|----------------------------|
| 13 | 532 18 04-35 | Decal Rear Plate CRD |
| 14 | 532 15 97-36 | Decal Chassis Hot Muffler |
| 15 | 532 14 08-37 | Decal Saddle Brake Parking |
| 16 | 532 16 69-60 | Decal Bypass Fender CRD |
| 17 | 532 16 62-86 | Decal Hex Belt Sch CRD |
| 18 | 532 18 39-29 | Decal Hood/Grille |
| — | 532 18 10-91 | Pad Footrest LH |
| — | 532 18 10-90 | Pad Footrest RH |
| — | 532 18 26-21 | Decal Bagger Frame |
| — | 532 19 22-90 | Manual Operator's (Euro) |
| — | 532 19 22-91 | Manual Operator's (Scan) |

WHEELS & TIRES

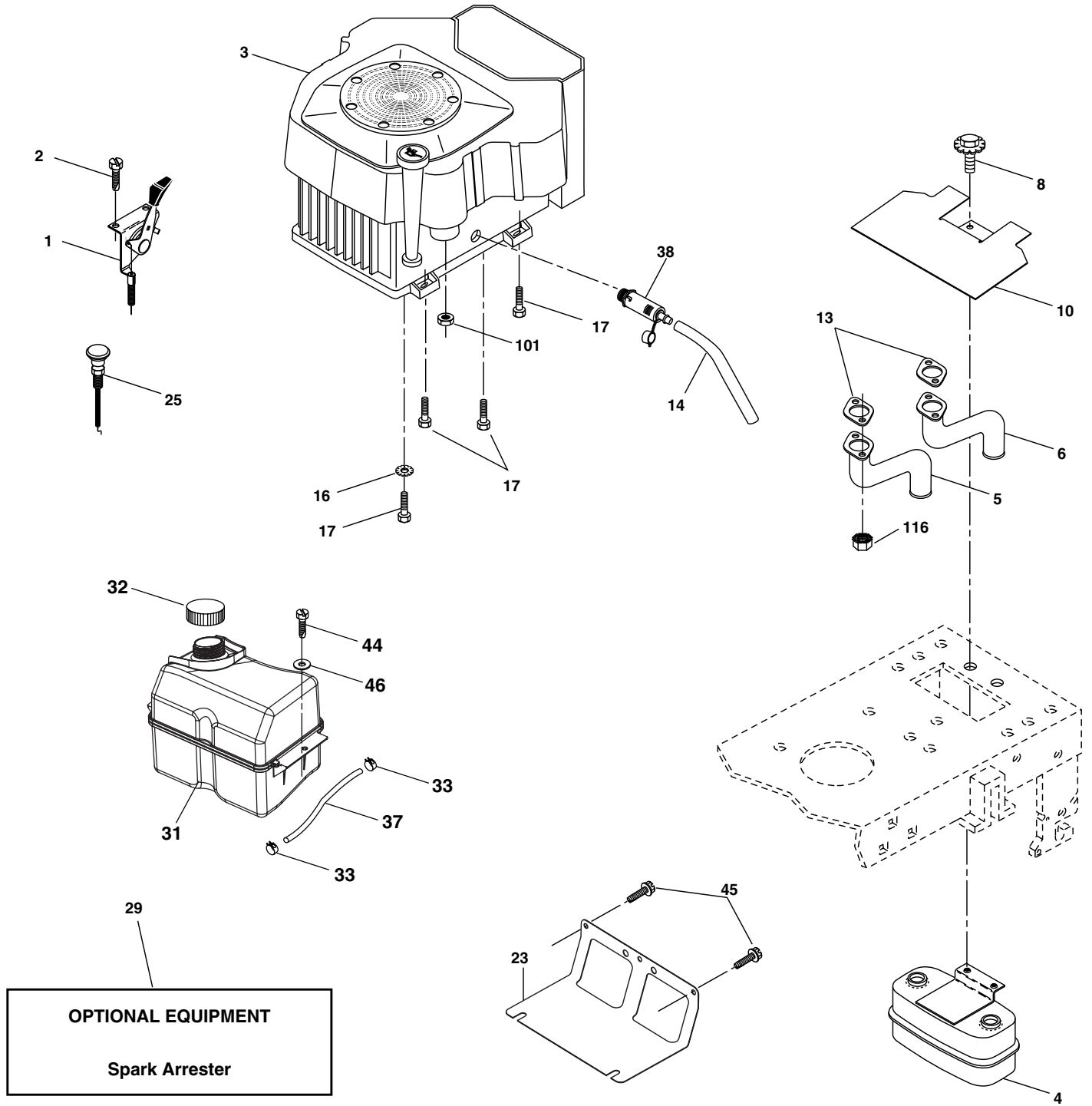


| KEY NO. | PART NO. | DESCRIPTION |
|---------|--------------|--------------------------------|
| 1 | 532 05 91-92 | Cap Value Tire |
| 2 | 532 06 51-39 | Stem Value |
| 3 | 532 10 62-22 | Tire F Ts 15 x 6 0 - 6 Service |
| 4 | 532 05 99-04 | Tube Inner Front #35060 |
| 5 | 532 13 83-36 | Rim Asm 6"front Silver Service |
| 6 | 532 12 49-57 | Fitting Grease |
| 7 | 532 12 49-59 | Bearing Flange |
| 8 | 532 13 83-37 | Rim Asm 8"rear Silver Service |
| 9 | 532 12 20-82 | Tire R Ts 20 x 10-8 Service |
| 10 | 532 12 49-26 | Tube Rear 9 5 x 8 Service |
| 11 | 532 17 50-39 | Cap Axle Blk 1 50 x 1 00 |
| -- | 532 14 43-34 | Sealant, Tire (10 oz. tube) |

NOTE: All component dimensions given in U.S. inches
1 inch = 25.4 mm

REPAIR PARTS

TRACTOR- -MODEL NO. LT2122CMA (J2122CMAC), PRODUCT NO. 954 13 02-18
ENGINE



engine-ko.twin_16

REPAIR PARTS

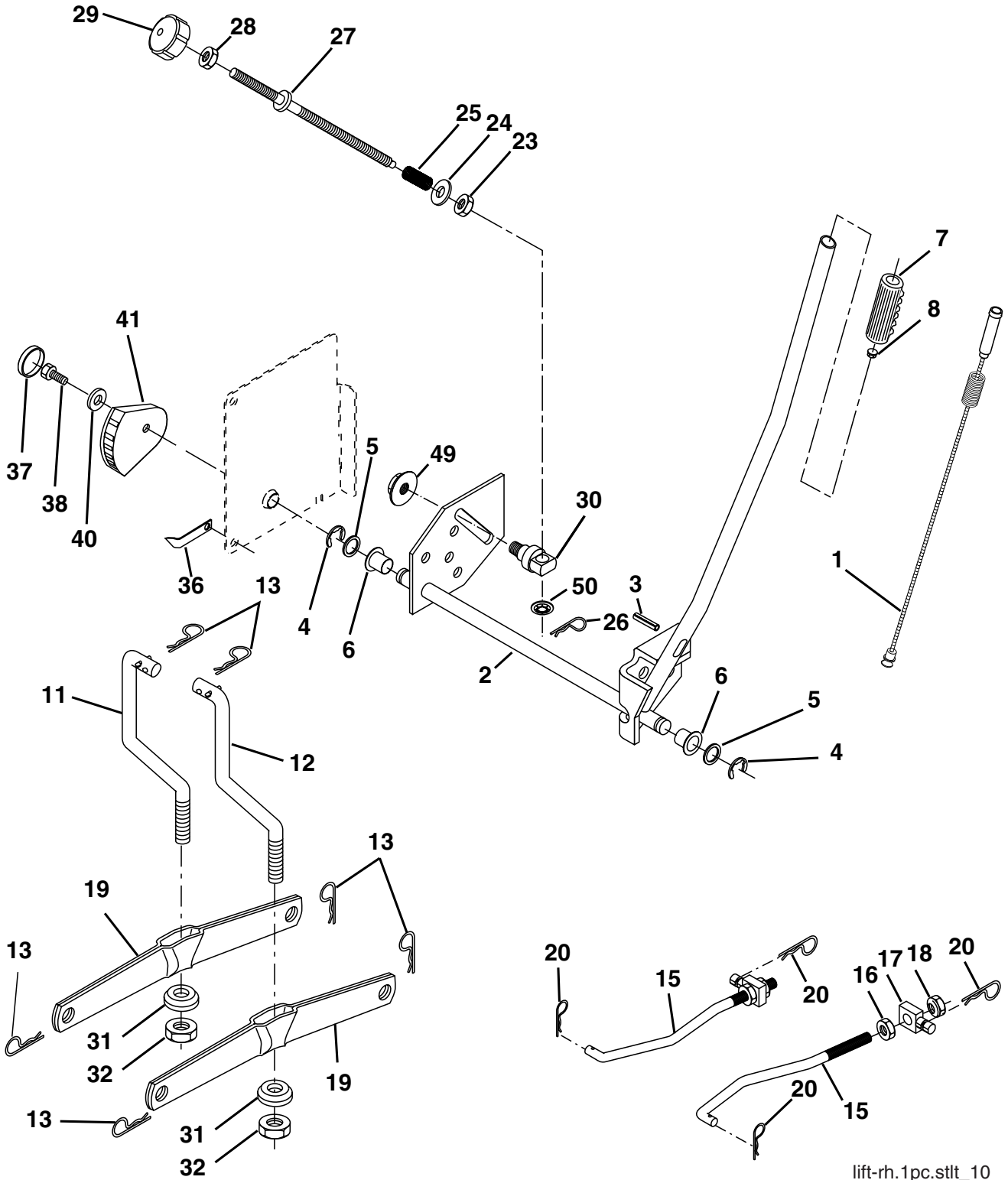
TRACTOR- -MODEL NO. LT2122CMA (J2122CMAC), PRODUCT NO. 954 13 02-18
ENGINE

| KEY NO. | PART NO. | DESCRIPTION |
|---------|--------------|---|
| 1 | 532 17 81-47 | Control Throt |
| 2 | 532 17 18-75 | Screw Hi-Lo #13-16 x 3/4 |
| 3 | ----- | Engine Kohler CV674 (Order parts from engine manufacturer) |
| 4 | 532 14 97-23 | Muffler Twin Lo-Twin |
| 5 | 532 14 66-99 | Tube, Manifold Lh |
| 6 | 532 14 67-00 | Tube, Manifold Rh |
| 8 | 532 17 18-77 | Bolt 5/16-18 Unc x 3/4 w/Sems |
| 10 | 532 14 66-29 | Shield Heat Intek |
| 13 | 532 18 60-54 | Gasket Muffler |
| 14 | 532 14 84-56 | Tube Drain Oil Easy |
| 17 | 817 06 06-24 | Screw, Thdrol 3/8-16 x 1-1/2 Tytt |
| 23 | 532 16 98-37 | Shield Brn/Dbr Guard |
| 25 | 532 18 95-41 | Choke Control |
| 29 | 532 13 71-80 | Kit Spark Arrestor (Flat Scrn) |
| 31 | 532 18 55-34 | Tank Fuel 2.00 |
| 32 | 532 14 05-27 | Cap Asm Fuel W/sym Vented |
| 33 | 532 12 34-87 | Clamp Hose Blk |
| 37 | 532 13 70-40 | Line Fuel |
| 38 | 532 18 16-54 | Plug Drain Oil Easy |
| 44 | 817 67 04-12 | Screw Hexwsh Thdrol 1/4-20 x 3/4 |
| 45 | 817 00 06-12 | Screw Hexwsh Thdrol 3/8-16 x 3/4 |
| 46 | 819 09 14-16 | Washer 9/32 x 7/8 x 16 Ga. |
| 101 | 532 16 33-05 | Nut Flange M8-1.25 Non-Lk Zinc |
| 116 | 532 18 43-62 | Nut Hex Flange Toplock M8-1.25 |

NOTE: All component dimensions given in U.S. inches
1 inch = 25.4 mm

REPAIR PARTS

TRACTOR- -MODEL NO. LT2122CMA (J2122CMAC), PRODUCT NO. 954 13 02-18
MOWER LIFT



lift-rh.1pc.stlt_10

REPAIR PARTS

TRACTOR- -MODEL NO. LT2122CMA (J2122CMAC), PRODUCT NO. 954 13 02-18
MOWER LIFT

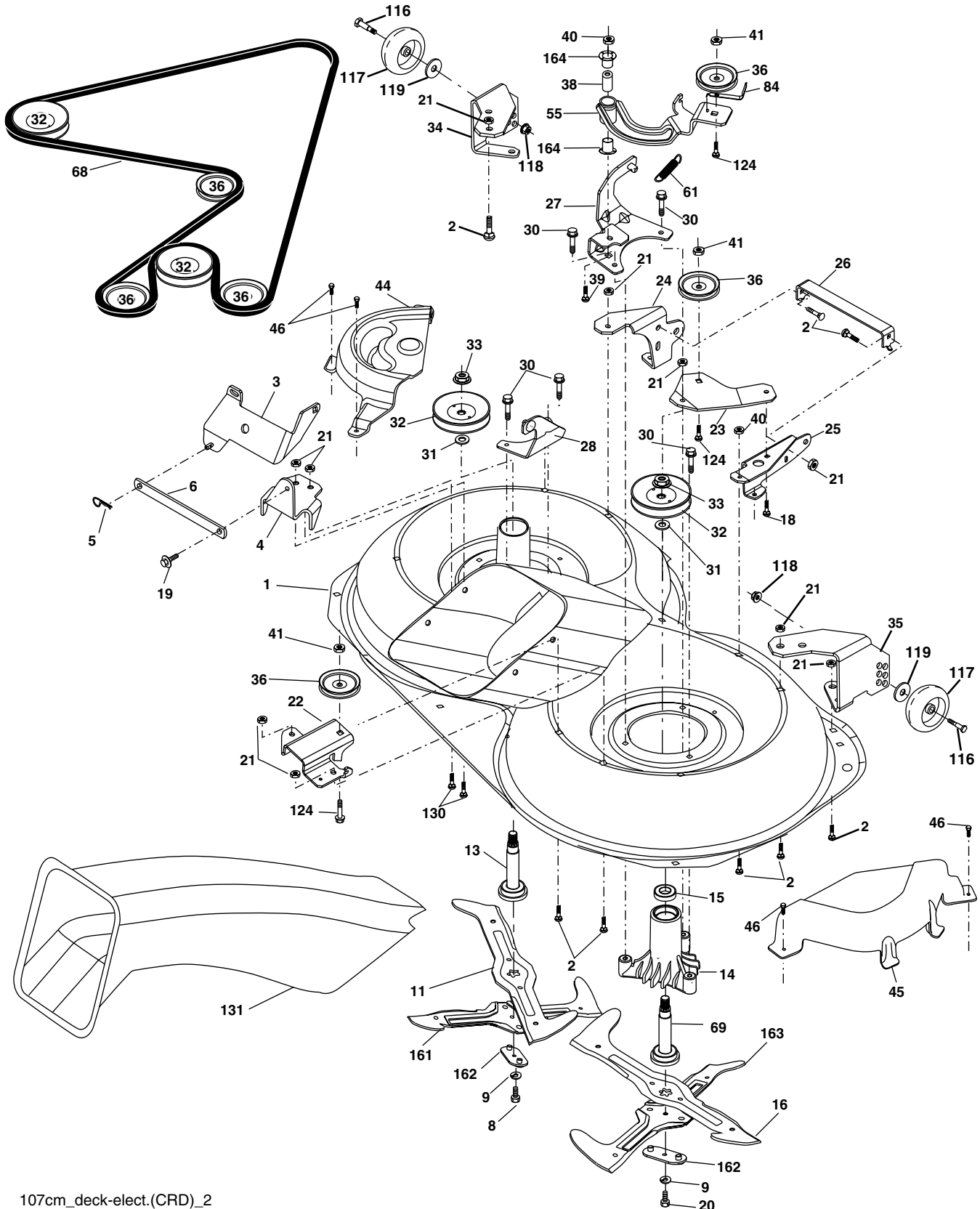
| KEY NO. | PART NO. | DESCRIPTION |
|---------|--------------|-----------------------------------|
| 1 | 532 15 94-61 | Washer Asm Inner Spring W/Plunger |
| 2 | 532 15 94-76 | Shaft Asm. Lift |
| 3 | 532 18 88-22 | Pin Groove |
| 4 | 812 00 00-02 | E Ring #5133-62 |
| 5 | 819 21 16-21 | Washer 21/32 x 1 x 21 Ga. |
| 6 | 532 12 01-83 | Bearing Nylon |
| 7 | 532 12 56-31 | Grip Handle Fluted |
| 8 | 532 12 45-26 | Button Plunger Black |
| 11 | 532 16 58-29 | Link Asm Lift L.H. |
| 12 | 532 16 58-31 | Link Asm Lift R.H. |
| 13 | 532 12 46-70 | Retainer Spring |
| 15 | 532 17 32-88 | Link Front |
| 16 | 873 35 08-00 | Nut Jam Hex 1/2-13 unc |
| 17 | 532 17 56-89 | Trunnion Blk Zinc |
| 18 | 873 80 08-00 | Nut Lock W/Wsh 1/2-13 unc |
| 19 | 532 13 98-68 | Arm Suspension Mower |
| 20 | 532 16 35-52 | Retainer Spring |
| 23 | 532 11 08-07 | Nut Special |
| 24 | 819 13 10-16 | Washer 13/32 x 5/8 x 16 Ga. |
| 25 | 532 13 71-50 | Spring |
| 26 | 532 16 94-84 | Retainer Clip |
| 27 | 532 13 71-67 | Rod Adj Lift Zinc |
| 28 | 873 35 06-00 | Nut Hex Jam 3/8-16 unc |
| 29 | 532 13 80-57 | Knob Inf 3/8-16 unc Blk w/sym |
| 30 | 532 15 02-33 | Trunnion Infin Height |
| 31 | 532 16 98-65 | Bearing, Pvt. Lift. |
| 32 | 873 54 06-00 | Nut Crownlock 3/8-24 |
| 36 | 532 15 50-97 | Pointer Height Indicator |
| 37 | 532 12 39-35 | Plug Hole Blk 1.485/1.515 Dia |
| 38 | 817 06 05-16 | Screw 5/16-18 x 1 |
| 40 | 819 11 24-10 | Washer 11/32 x 1-1/2 x 10 Ga. |
| 41 | 532 12 39-34 | Scale Ind Height Blk |
| 49 | 532 14 52-12 | Nut hex Flange Lock |
| 50 | 532 11 04-52 | Nut Push Phos & Oil |

NOTE: All component dimensions given in U.S. inches
1 inch = 25.4 mm

REPAIR PARTS

TRACTOR- -MODEL NO. LT2122CMA (J2122CMAC), PRODUCT NO. 954 13 02-18

MOWER



107cm_deck-elect.(CRD)_2

REPAIR PARTS

TRACTOR- -MODEL NO. LT2122CMA (J2122CMAC), PRODUCT NO. 954 13 02-18
MOWER

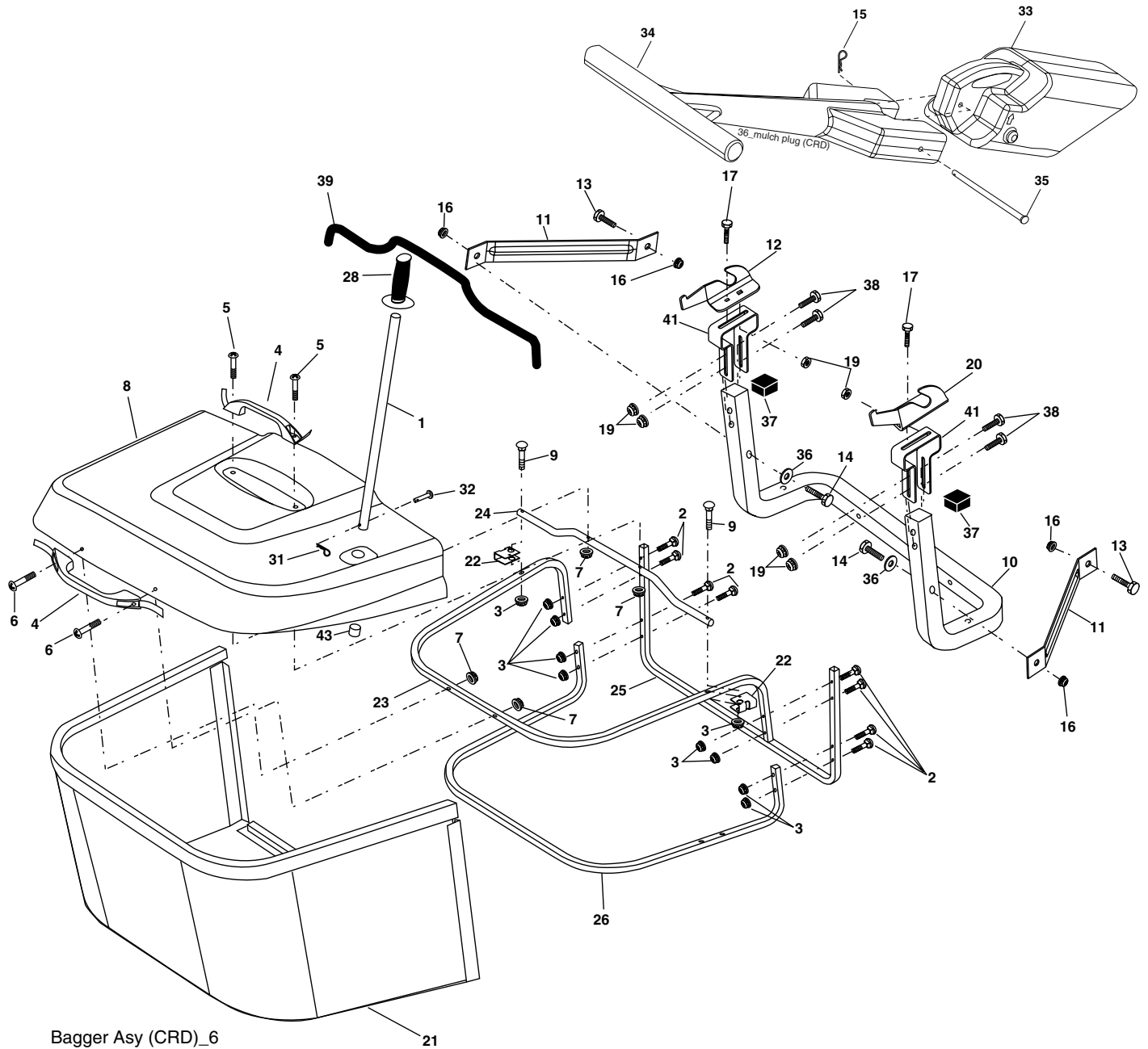
| KEY NO. | PART NO. | DESCRIPTION | KEY NO. | PART NO. | DESCRIPTION |
|---------|--------------|------------------------------------|---------|--------------|---------------------------------------|
| 1 | 532 16 91-60 | Housing Asm. Mower 107 CRD | 36 | 532 14 67-63 | Pulley Idler V-Groove Dim 4.25 |
| 2 | 872 14 05-06 | Bolt Rdhd Sqnk 5/16-18 unc x 3/4 | 38 | 532 16 98-51 | Spacer Hub Arm Idler 107 CRD |
| 3 | 532 16 55-69 | Bracket Asm. S-Bar Chass 92 CRD | 39 | 872 11 06-22 | Bolt Rdhd 3/8-16 Unc x 2-3/4 Gr. 5 |
| 4 | 532 16 91-67 | Bracket Bar Sway Deck 107 CRD | 40 | 873 68 06-00 | Nut Crownlock 3/8-16 unc |
| 5 | 532 12 46-70 | Retainer Spring | 41 | 873 90 06-00 | Nut Lock Flg. 3/8-16 unc |
| 6 | 532 16 55-57 | Bar Sway CRD | 44 | 532 17 55-38 | Cover Mandrel Lh 107 CRD |
| 8 | 532 18 17-12 | Bolt 3/8-24 x 1.25 Gr. 8 Patched | 45 | 532 17 55-39 | Cover Mandrel Rh 107 CRD |
| 9 | 810 03 06-00 | Washer Lock Hvy 3/8 Unplated | 46 | 532 13 77-29 | Screw Thd Roll 1/4-20 x 5/8 |
| 11 | 532 18 05-83 | Blade 3-1 Lh 107 CRD | 55 | 532 16 98-49 | Arm Idler 107 CRD |
| 13 | 532 13 76-45 | Shaft Asm. W/Lower Bearing | 61 | 532 17 51-59 | Spring Tension Belt |
| 14 | 532 12 87-74 | Housing Mandrel Vented (Machd) | 68 | 532 16 91-78 | Hex-Belt 107 Mower |
| 15 | 532 11 04-85 | Bearing Ball Mandrel | 69 | 532 16 54-82 | Shaft Asm W/Lwr Brg Rh Thd CRD |
| 16 | 532 18 05-84 | Blade 3-1 Rh 107 CRD | 84 | 532 15 60-85 | Keeper Belt Idler |
| 18 | 872 11 06-06 | Bolt RdHd Sqnk 3/8-16 x 3/4 | 116 | 532 18 42-19 | Bolt Shoulder |
| 19 | 532 13 28-27 | Bolt Shoulder 5/16-18 Thd Form | 117 | 532 13 39-57 | Wheel Gage Donut Wide |
| 20 | 532 18 17-13 | Bolt 3/8-24 x 1.25 Gr8 Ptch Lhthd | 118 | 873 93 06-00 | Nut Centerlock 3/8-16 unc |
| 21 | 873 68 05-00 | Nut Crown Lock 5/16-18 | 119 | 819 12 14-14 | Washer 3/8 x 7/8 x 14 Ga. |
| 22 | 532 16 91-65 | Bracket Idler Sprt RR 107 CRD | 124 | 872 11 06-12 | Bolt Carr Sh 3/8-16 x 1-1/2 Gr. 5 |
| 23 | 532 16 91-66 | Bracket Idler Sprt RF 107 CRD | 130 | 872 11 05-06 | Bolt Rdhdsqnk 5/16-18 unc x 3/4 |
| 24 | 532 16 91-70 | Bracket Suspension LF 107 CRD | 131 | 532 16 56-61 | Chute Bagger CRD 92cm |
| 25 | 532 16 91-71 | Bracket Suspension RF 107 CRD | 161 | 532 18 04-24 | Blade Cross LH 107 |
| 26 | 532 16 52-37 | Brace Support Susp Frt CRD | 162 | 532 18 08-78 | Adapter Weldment Blade 107 |
| 27 | 532 16 91-72 | Bracket Asm. Susp RR 107 CRD | 163 | 532 18 04-25 | Blade Cross RH 107 |
| 28 | 532 16 91-68 | Bracket Asm. Susp LR 107 CRD | 164 | 532 12 49-37 | Bearing Cal Strg. |
| 30 | 532 17 39-84 | Screw Thd Rolling Hex | -- | 532 18 18-57 | Mandrel Asm Service |
| 31 | 532 18 76-90 | Washer Spacer | -- | 532 18 18-58 | Mandrel Asm CRD Lh Threads SVC |
| 32 | 532 17 57-07 | Mandrel Pulleys | -- | 532 18 17-70 | Replacement Mower Complete |
| 33 | 532 17 83-42 | Nut Flg Top Lock | | | |
| 34 | 532 17 95-09 | Bracket Gauge Wheel Lf 107 CRD | | | |
| 35 | 532 17 62-92 | Bracket Gauge Wheel Rf 107 CRD | | | |

NOTE: All component dimensions given in U.S. inches
1 inch = 25.4 mm

REPAIR PARTS

TRACTOR- -MODEL NO. LT2122CMA (J2122CMAC), PRODUCT NO. 954 13 02-18

BAGGER



REPAIR PARTS

TRACTOR- -MODEL NO. LT2122CMA (J2122CMAC), PRODUCT NO. 954 13 02-18
BAGGER

| KEY NO. | PART NO. | DESCRIPTION |
|---------|--------------|---------------------------------------|
| 1 | 532 16 52-49 | Tube Handle Bagger CRD |
| 2 | 872 14 04-16 | Bolt Carriage 1/4-20 x 2.0 Gr. 5 |
| 3 | 532 12 39-76 | Nut Lock 1/4 Lge Flg Gr. 5 Zinc |
| 4 | 532 16 99-16 | Handle Bagger w/Lvrs Blk CRD |
| 5 | 874 98 10-24 | Screw Pan Head #10-24 x 1.50 Blk |
| 6 | 874 98 10-32 | Screw Pan Hd |
| 7 | 873 40 10-00 | Nut Wiz Lock Hex Serr/Hd 10-24 |
| 8 | 532 18 13-54 | Cover Bagger |
| 9 | 872 14 04-18 | Bolt Carriage 1/4-20 x 2.25d x Gr. 5 |
| 10 | 532 18 12-82 | Tube Support Bagger CRD |
| 11 | 532 16 57-19 | Bracket Support Upper Bag CRD |
| 12 | 532 18 88-48 | Bracket Pivot Lh |
| 13 | 872 11 06-06 | Bolt Rdhd Sht Sqnk 3/8-16 x 3/4 |
| 14 | 874 52 06-36 | Bolt Fin Hex 3/8-16 x 2-1/4 Gr. 5 |
| 15 | 532 12 46-70 | Retainer Spring |
| 16 | 873 90 06-00 | Nut Lock Flg 3/8-16 unc |
| 17 | 872 14 05-06 | Bolt Rdhd Sht Sqnk 5/16 -18 unc x 3/4 |
| 19 | 873 90 05-00 | Nut Lock Hex Flange 5/16-18 |
| 20 | 532 18 88-47 | Bracket Pivot Rh |
| 21 | 532 18 08-80 | Bag Asm CRD |
| 22 | 532 16 57-81 | Bracket Side Bagger CRD |
| 23 | 532 16 57-82 | Tube Upper Bagger CRD |
| 24 | 532 16 57-83 | Tube Pivot Bagger CRD |
| 25 | 532 18 01-24 | Tube Front Bagger CRD |
| 26 | 532 16 57-85 | Tube Lower Bagger CRD |
| 28 | 532 16 57-87 | Grip Handle Black |
| 31 | 532 16 94-84 | Retainer Clip Dia. 290 |
| 32 | 532 12 68-75 | Rivet Rd Hd Drilled 3/8 Dia |
| 33 | 532 16 93-80 | Plug Mulcher |
| 34 | 532 16 55-70 | Handle Mulcher |
| 35 | 532 16 55-72 | Pin Mulcher |
| 36 | 819 13 20-16 | Washer 13/32 x 1-1/4 x 16 Ga. |
| 37 | 532 17 54-01 | Plug Support Bagger CRD |
| 38 | 872 01 05-20 | Bolt 5/16-18 x 2-1/2 |
| 39 | 532 18 09-85 | Seal Trim |
| 41 | 532 16 96-83 | Bracket Pnt Adj Pvt Bagger CRD |
| 42 | 873 80 05-00 | Nut Crownlock 5/16-18 Blk D |
| 43 | 532 17 40-83 | Plug Tubing End |

NOTE: All component dimensions given in U.S. inches
1 inch = 25.4 mm