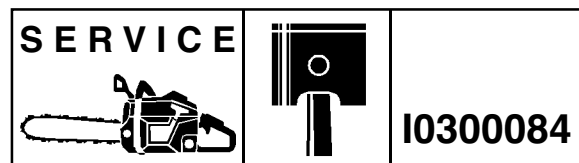


Jonsered



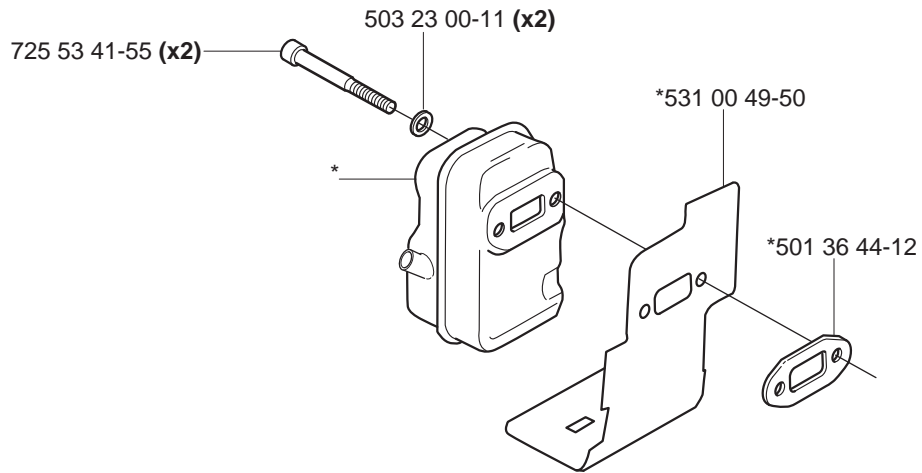
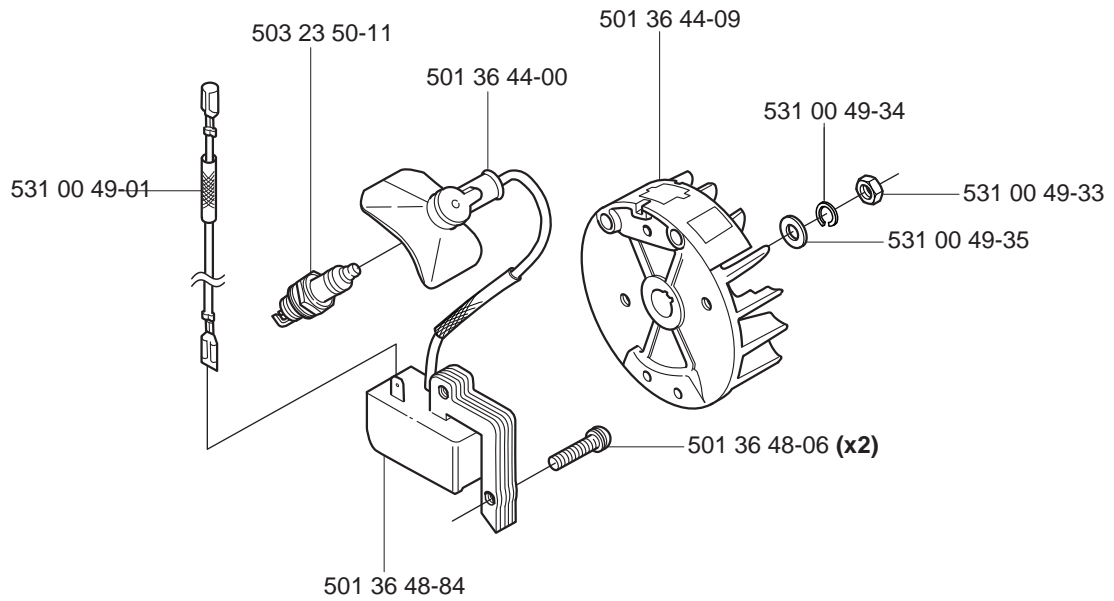
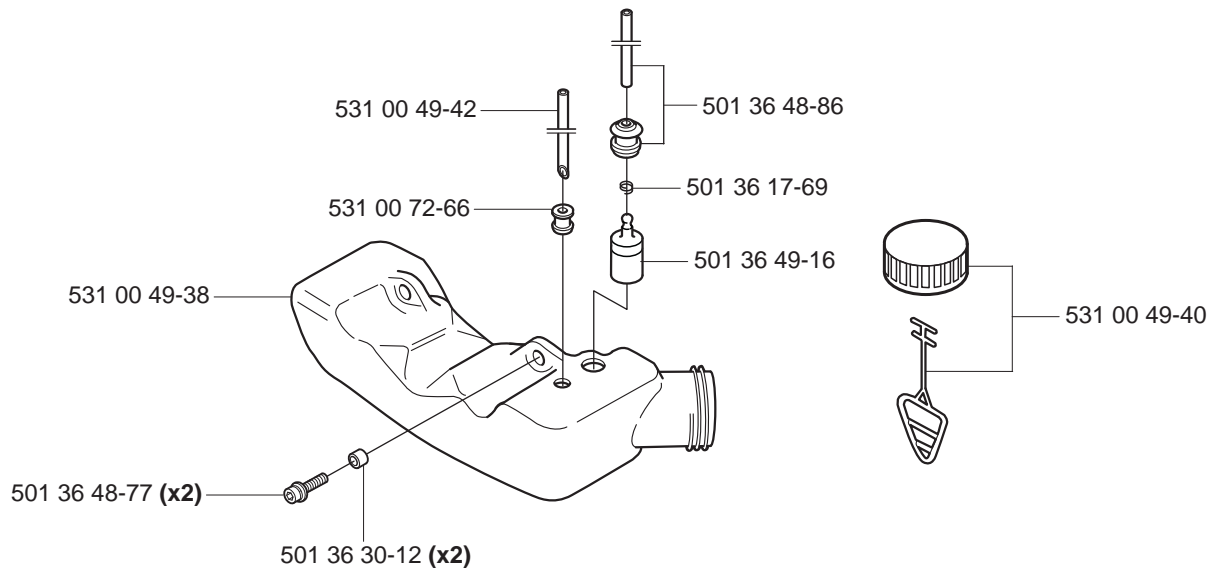
IPL, HT 2130, 2003-05, 106 26 28-62

HT 2130

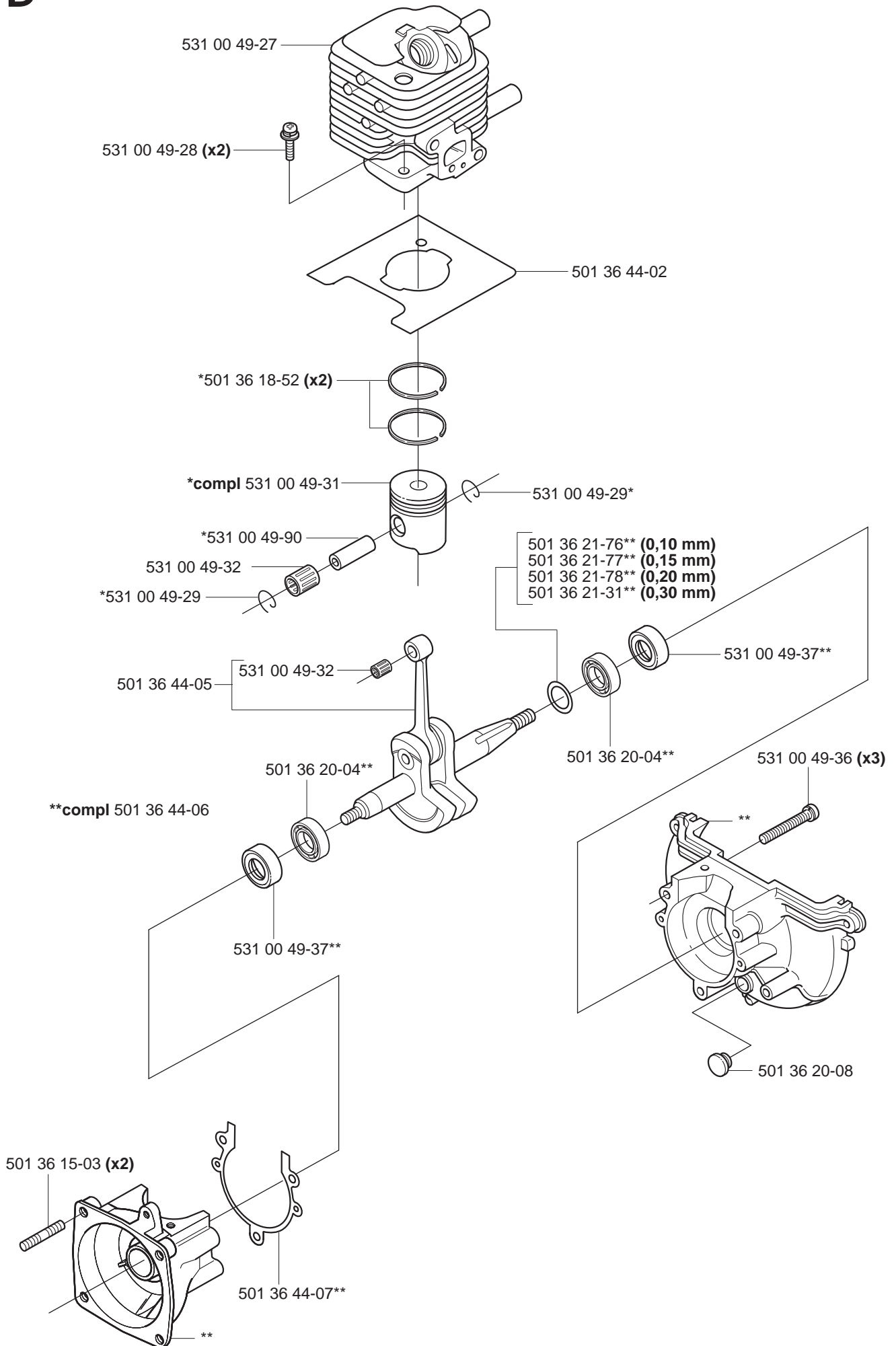
Spare parts
Ersatzteile
Pièces détachées
Reserve onderdelen
Repuestos
Reservdelar

A

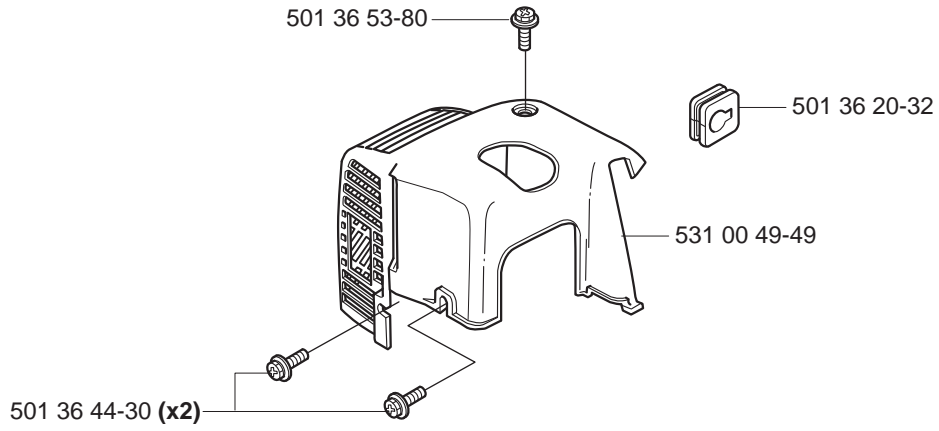
*compl 531 00 00-26

**B****C**

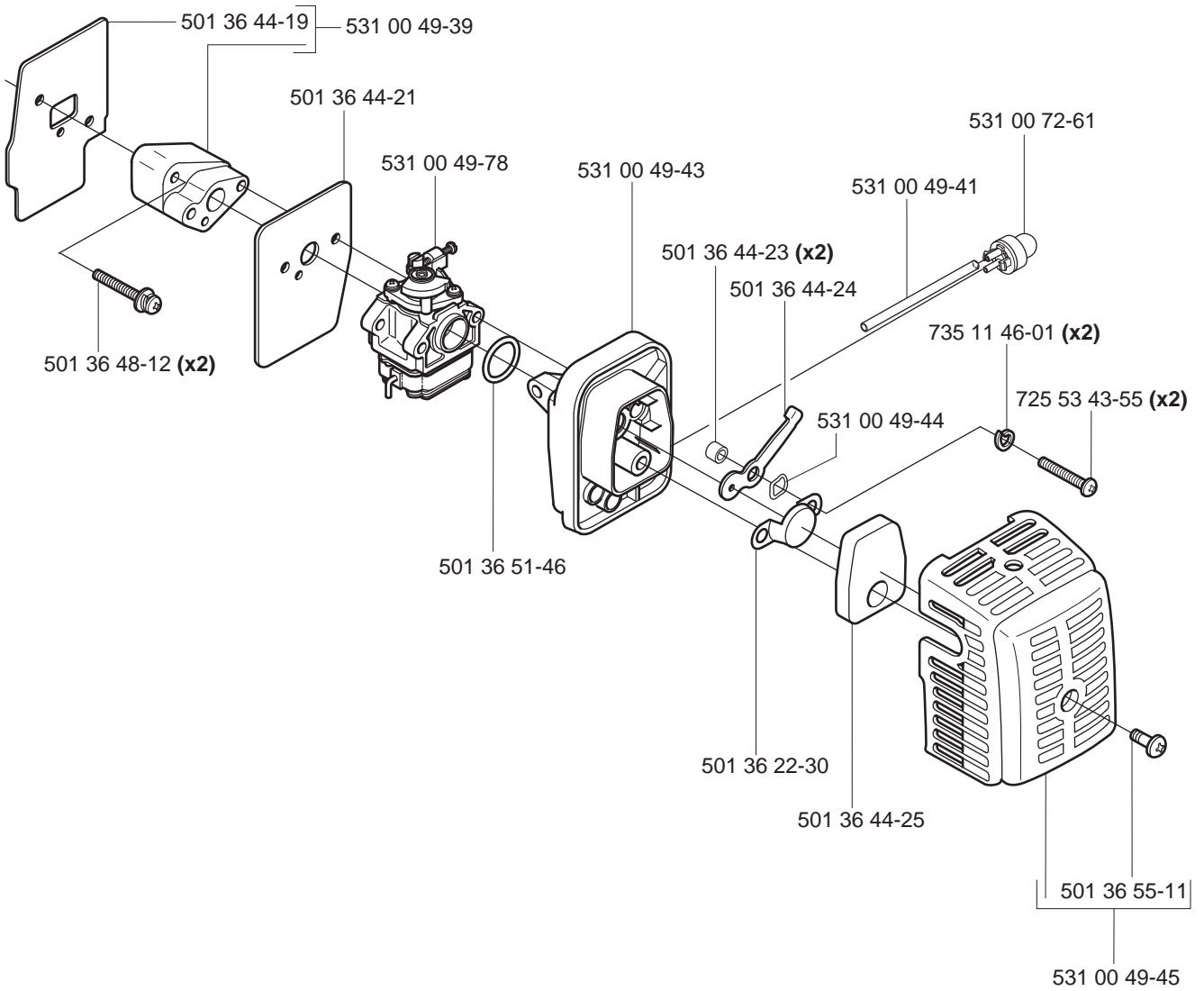
D



E



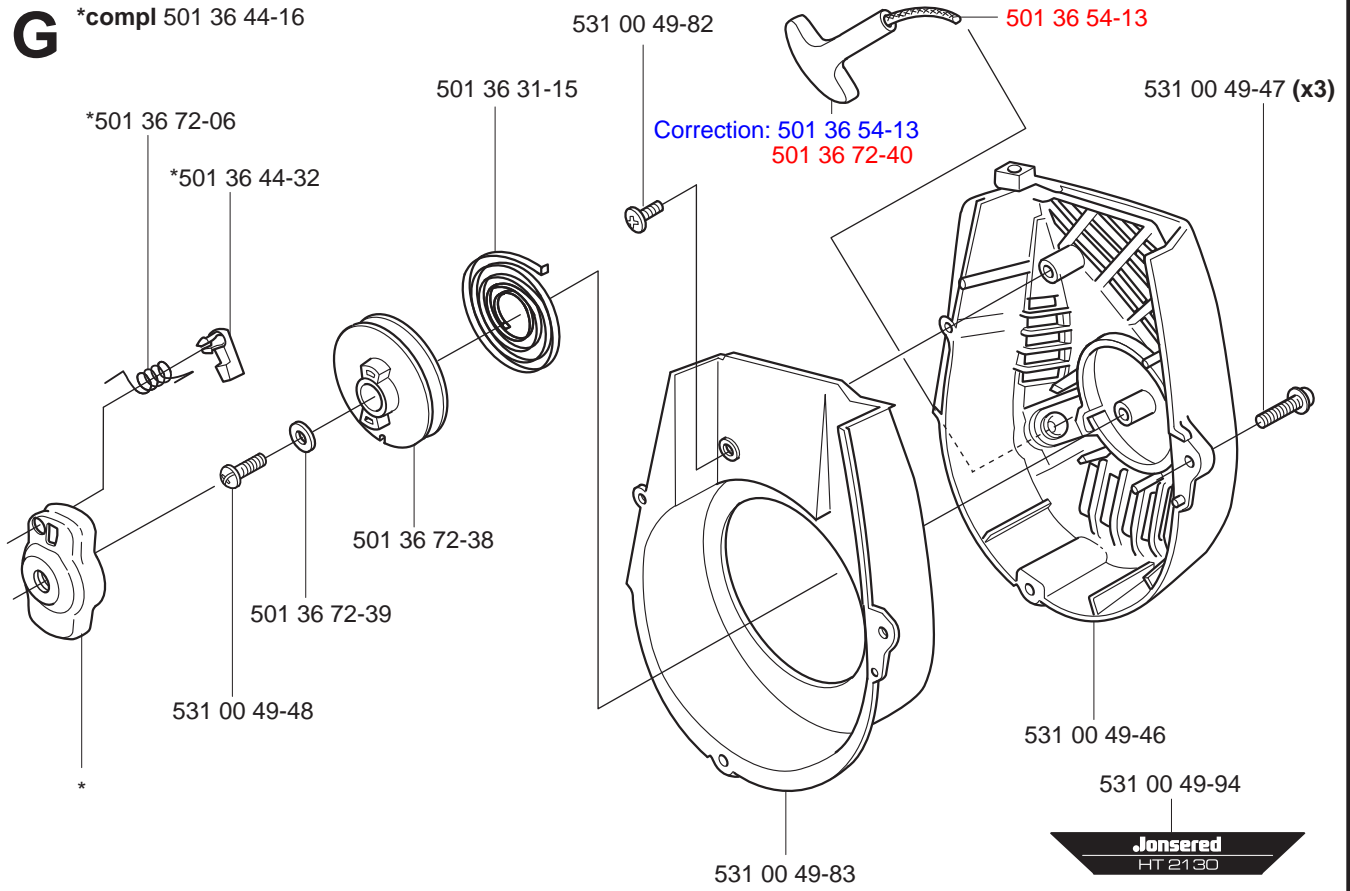
F



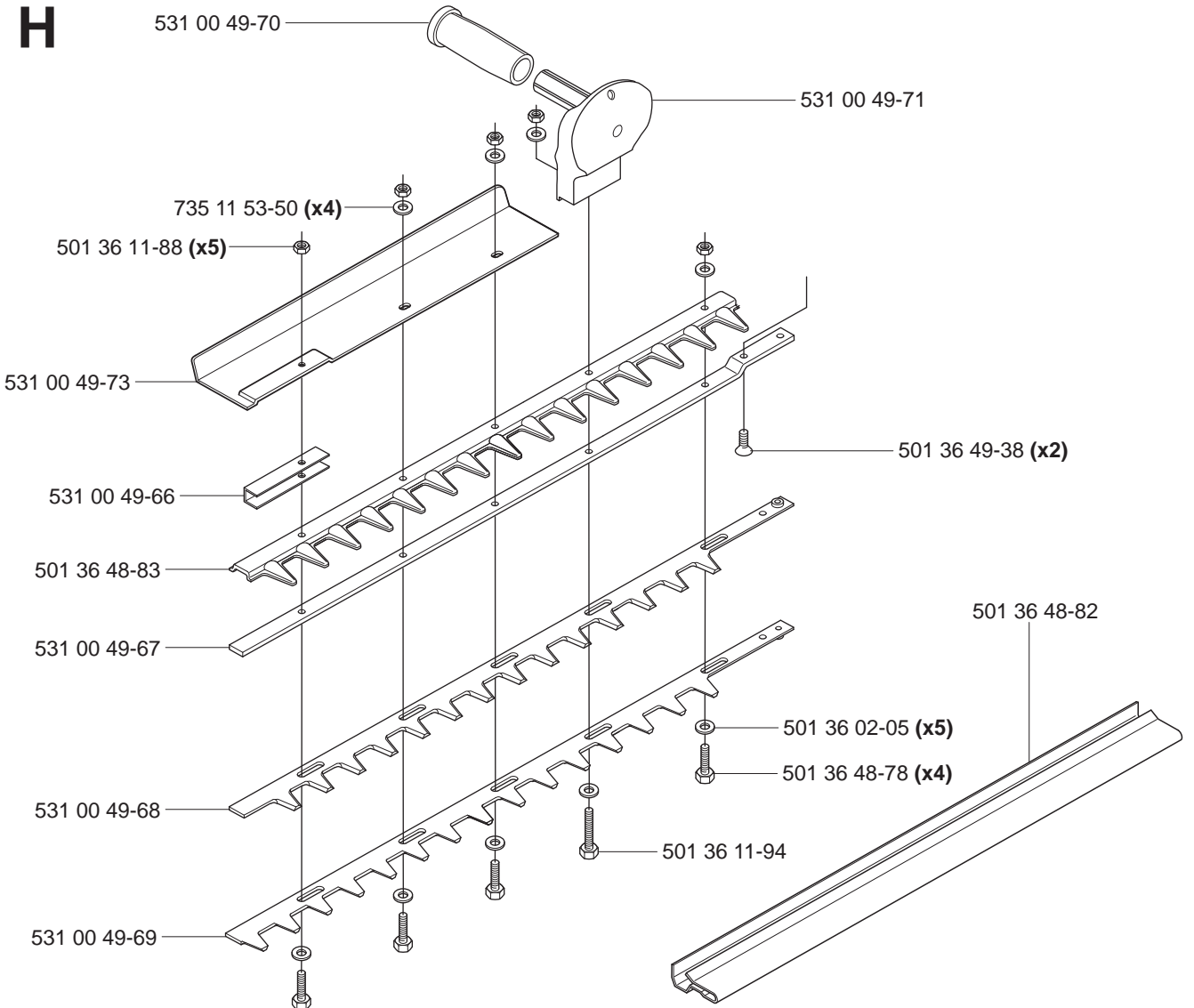
G

*compl 501 36 44-16

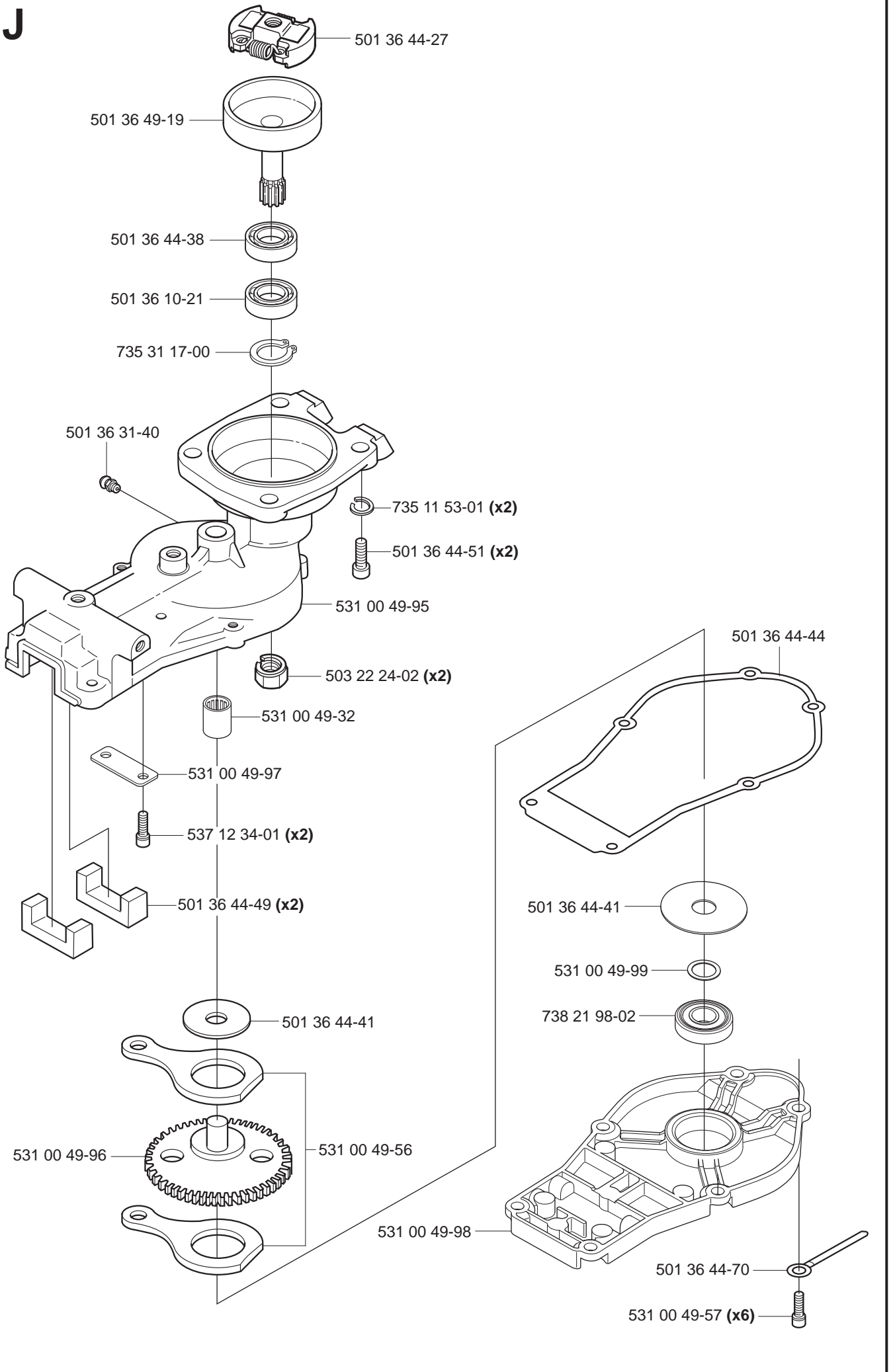
Correction: 501 36 72-40



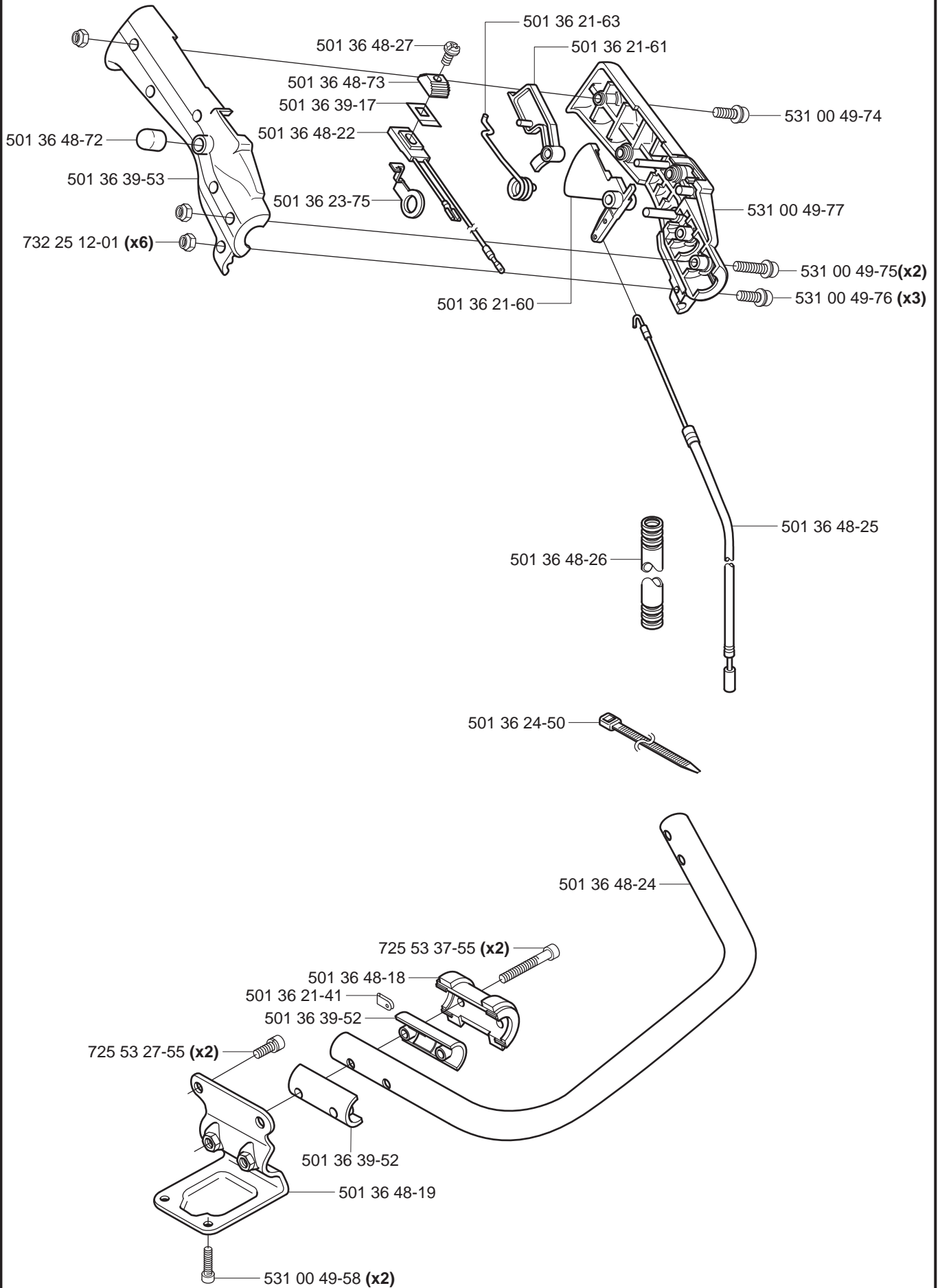
H



J

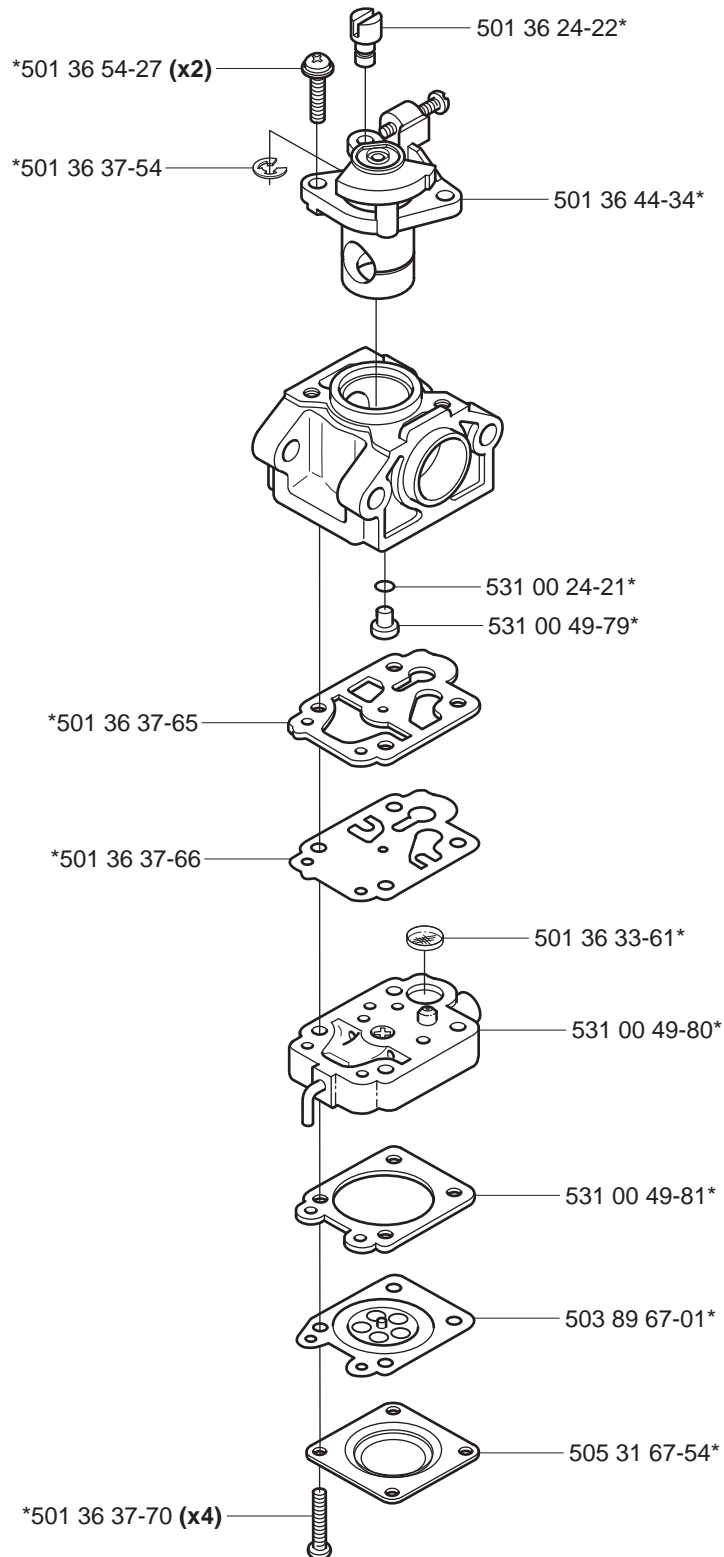


K



L

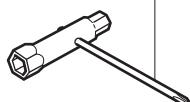
*compl 531 00 49-78

WYL 120
M Accessories
 Zubehöre
 Accessoires
 Accesorios
 Tillbehör

501 36 23-79



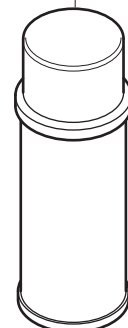
501 36 23-78



531 00 80-04 Smörja



531 00 80-05 Smörja Extra



| PART NUMBER | SQUARE NOTE | PART NUMBER | SQUARE NOTE | PART NUMBER | SQUARE NOTE | PART NUMBER | SQUARE NOTE |
|--------------|-------------|--------------|-------------|--------------|-------------|-------------|-------------|
| 501 36 02-05 | H | 501 36 48-78 | H | 531 00 49-95 | J N | | |
| 501 36 10-21 | J | 501 36 48-82 | H | 531 00 49-96 | J N | | |
| 501 36 11-88 | H | 501 36 48-83 | H | 531 00 49-97 | J N | | |
| 501 36 11-94 | H | 501 36 48-84 | B | 531 00 49-98 | J N | | |
| 501 36 15-03 | D | 501 36 48-86 | C | 531 00 49-99 | J N | | |
| 501 36 17-69 | C | 501 36 49-16 | C | 531 00 72-61 | F | | |
| 501 36 18-52 | D | 501 36 49-19 | J | 531 00 72-66 | C | | |
| 501 36 20-04 | D | 501 36 49-38 | H | 531 00 80-04 | M | | |
| 501 36 20-08 | D | 501 36 51-46 | F | 531 00 80-05 | M | | |
| 501 36 20-32 | E | 501 36 53-80 | E | 537 12 34-01 | J N | | |
| 501 36 21-31 | D | 501 36 54-13 | G | 725 53 27-55 | K | | |
| 501 36 21-41 | K | 501 36 54-27 | L | 725 53 37-55 | K | | |
| 501 36 21-60 | K | 501 36 55-11 | F | 725 53 41-55 | A | | |
| 501 36 21-61 | K | 501 36 72-06 | G | 725 53 43-55 | F | | |
| 501 36 21-63 | K | 501 36 72-38 | G | 732 25 12-01 | K | | |
| 501 36 21-76 | D | 501 36 72-39 | G | 735 11 46-01 | F | | |
| 501 36 21-77 | D | 501 36 72-40 | G | 735 11 53-01 | J | | |
| 501 36 21-78 | D | 503 22 24-02 | J | 735 11 53-50 | H | | |
| 501 36 22-30 | F | 503 23 00-11 | A | 735 31 17-00 | J | | |
| 501 36 23-75 | K | 503 23 50-11 | B | 738 21 98-02 | J N | | |
| 501 36 23-78 | M | 503 89 67-01 | L | | | | |
| 501 36 23-79 | M | 505 31 67-54 | L | | | | |
| 501 36 24-22 | L | 531 00 00-26 | A N | | | | |
| 501 36 24-50 | K | 531 00 24-21 | L | | | | |
| 501 36 30-12 | C | 531 00 49-01 | B | | | | |
| 501 36 31-15 | G | 531 00 49-27 | D | | | | |
| 501 36 31-40 | J | 531 00 49-28 | D | | | | |
| 501 36 33-61 | L | 531 00 49-29 | D | | | | |
| 501 36 37-54 | L | 531 00 49-31 | D | | | | |
| 501 36 37-65 | L | 531 00 49-32 | DJ | | | | |
| 501 36 37-66 | L | 531 00 49-33 | B | | | | |
| 501 36 37-70 | L | 531 00 49-34 | B | | | | |
| 501 36 39-17 | K | 531 00 49-35 | B | | | | |
| 501 36 39-52 | K | 531 00 49-36 | D | | | | |
| 501 36 39-53 | K | 531 00 49-37 | D | | | | |
| 501 36 44-00 | B | 531 00 49-38 | C | | | | |
| 501 36 44-02 | D | 531 00 49-39 | F | | | | |
| 501 36 44-05 | D | 531 00 49-40 | C | | | | |
| 501 36 44-06 | D | 531 00 49-41 | F | | | | |
| 501 36 44-07 | D | 531 00 49-42 | C | | | | |
| 501 36 44-09 | B | 531 00 49-43 | F | | | | |
| 501 36 44-12 | A | 531 00 49-44 | F | | | | |
| 501 36 44-16 | G | 531 00 49-45 | F | | | | |
| 501 36 44-19 | F | 531 00 49-46 | G | | | | |
| 501 36 44-21 | F | 531 00 49-47 | G | | | | |
| 501 36 44-23 | F | 531 00 49-48 | G | | | | |
| 501 36 44-24 | F | 531 00 49-49 | E | | | | |
| 501 36 44-25 | F | 531 00 49-50 | A | | | | |
| 501 36 44-27 | J | 531 00 49-56 | J | | | | |
| 501 36 44-30 | E | 531 00 49-57 | J | | | | |
| 501 36 44-32 | G | 531 00 49-58 | K | | | | |
| 501 36 44-34 | L | 531 00 49-66 | H | | | | |
| 501 36 44-38 | J | 531 00 49-67 | H | | | | |
| 501 36 44-41 | J | 531 00 49-68 | H | | | | |
| 501 36 44-44 | J | 531 00 49-69 | H | | | | |
| 501 36 44-49 | J | 531 00 49-70 | H | | | | |
| 501 36 44-51 | J | 531 00 49-71 | H | | | | |
| 501 36 44-70 | J | 531 00 49-73 | H | | | | |
| 501 36 48-06 | B | 531 00 49-74 | K | | | | |
| 501 36 48-12 | F | 531 00 49-75 | K | | | | |
| 501 36 48-18 | K | 531 00 49-76 | K | | | | |
| 501 36 48-19 | K | 531 00 49-77 | K | | | | |
| 501 36 48-22 | K | 531 00 49-78 | LF | | | | |
| 501 36 48-24 | K | 531 00 49-79 | L | | | | |
| 501 36 48-25 | K | 531 00 49-80 | L | | | | |
| 501 36 48-26 | K | 531 00 49-81 | L | | | | |
| 501 36 48-27 | K | 531 00 49-82 | G | | | | |
| 501 36 48-72 | K | 531 00 49-83 | G | | | | |
| 501 36 48-73 | K | 531 00 49-90 | D N | | | | |
| 501 36 48-77 | C | 531 00 49-94 | G N | | | | |

N = New part
Neues teil
Nouvelle piece
Nueva pieza
Ny detalj