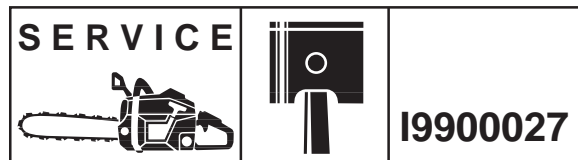


# Jonsered



IPL, BP 2040 C, 2000-02, 106 26 08-61

# BP 2040 C

**Spare parts**

**Ersatzteile**

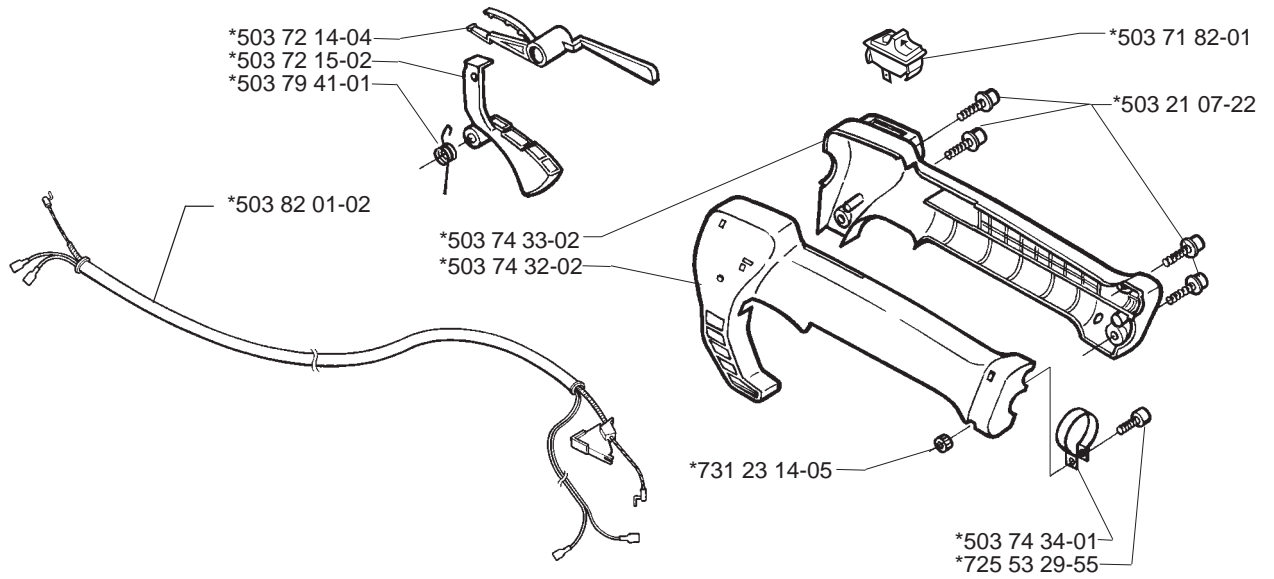
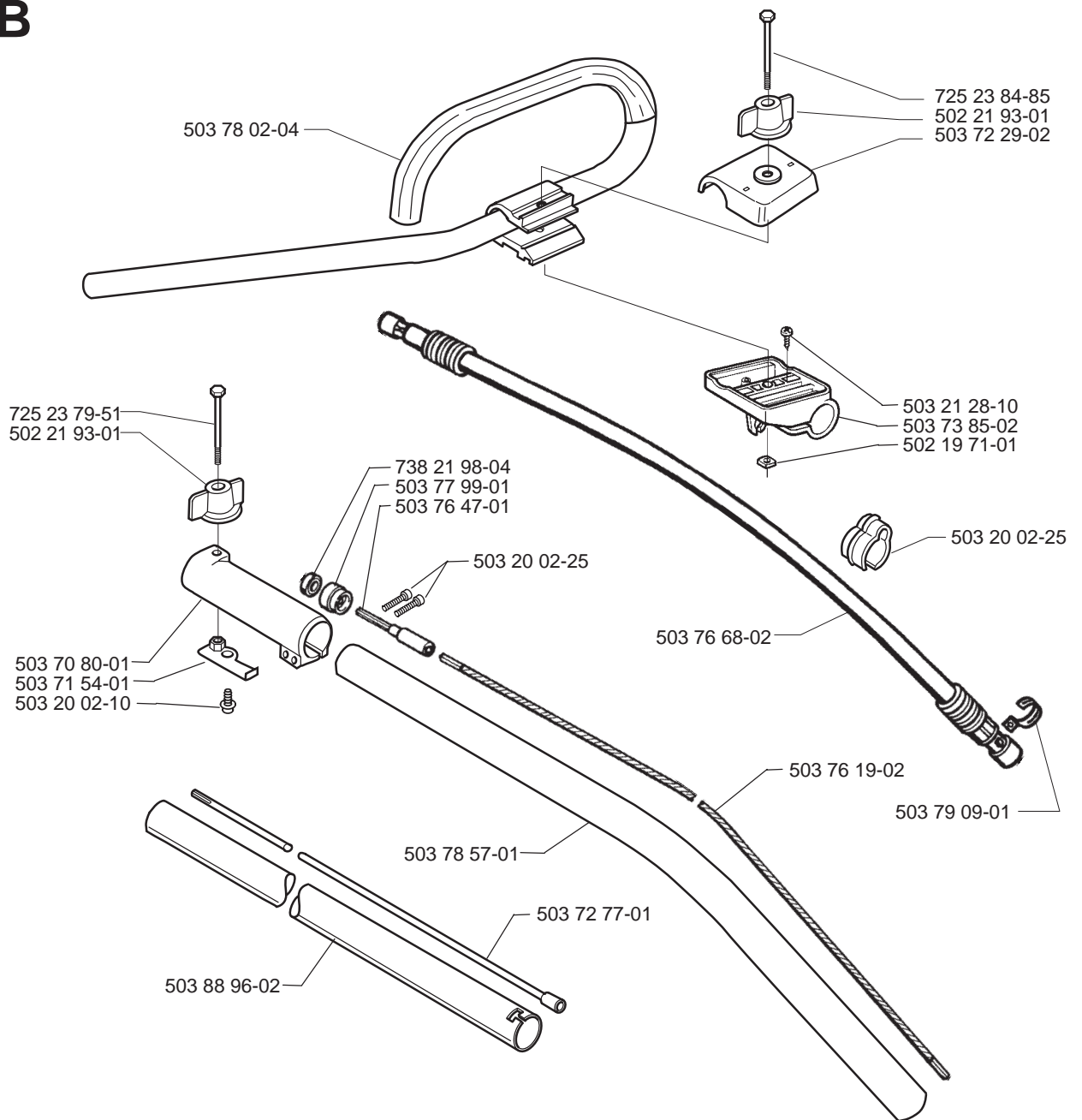
**Pièces détachées**

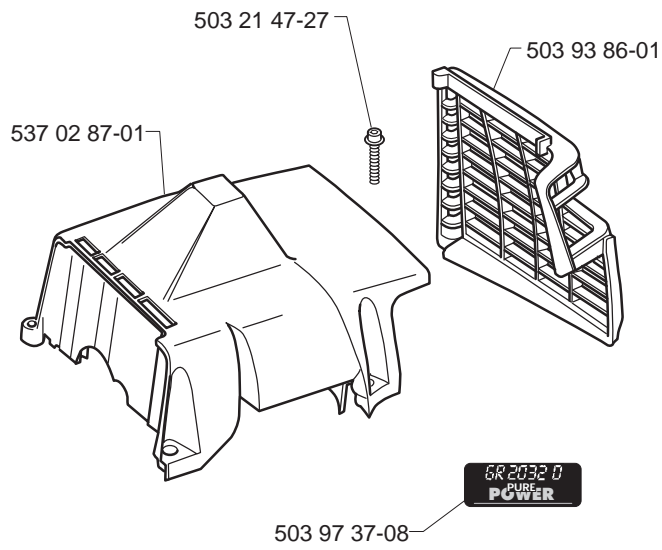
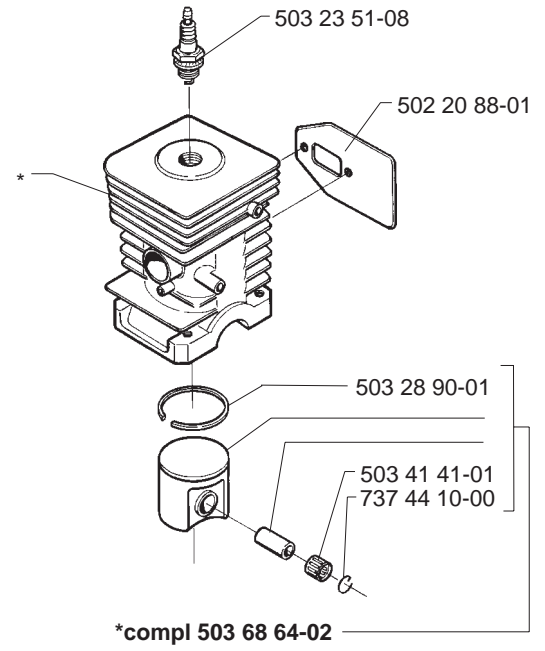
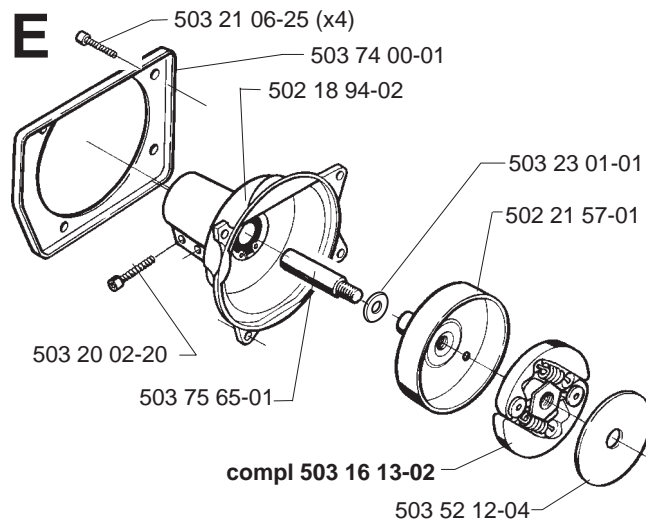
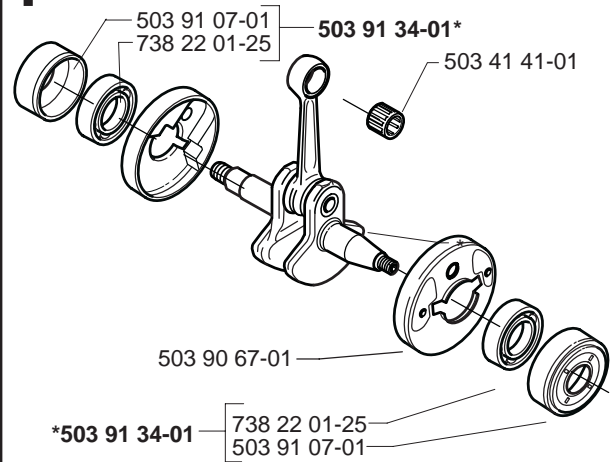
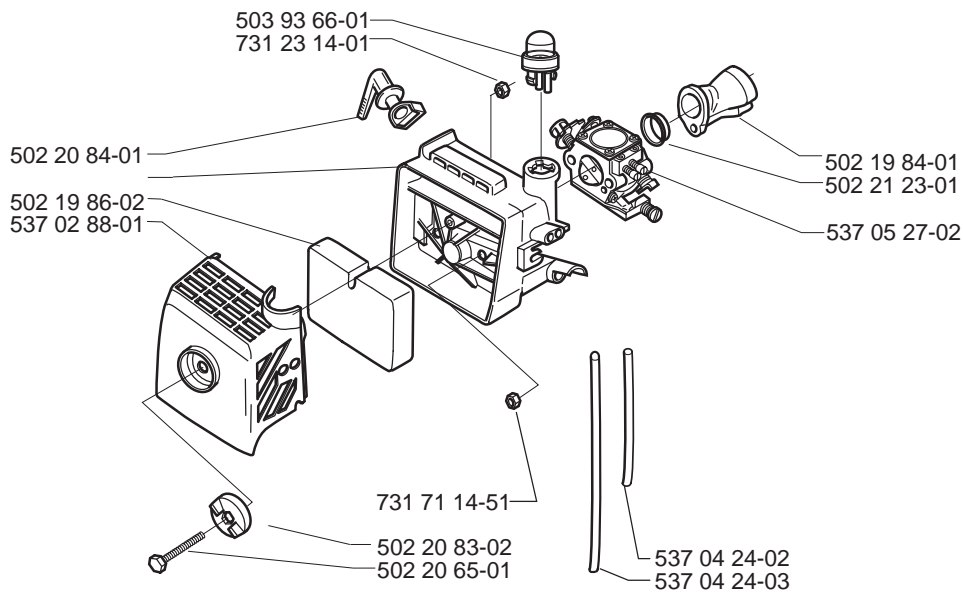
**Reserve onderdelen**

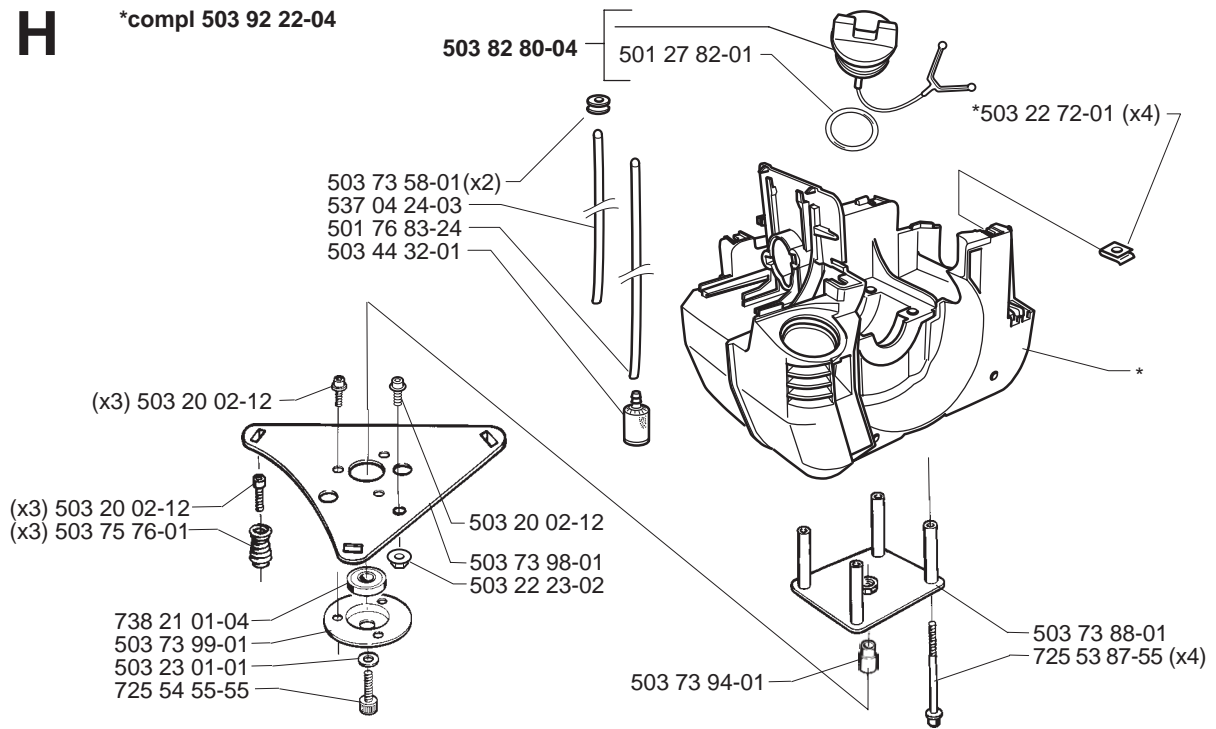
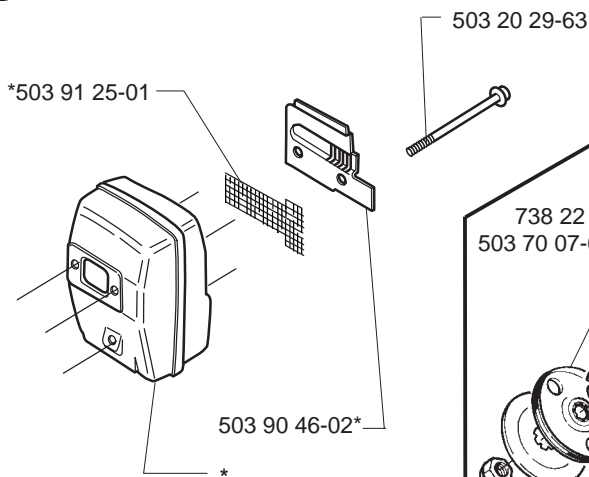
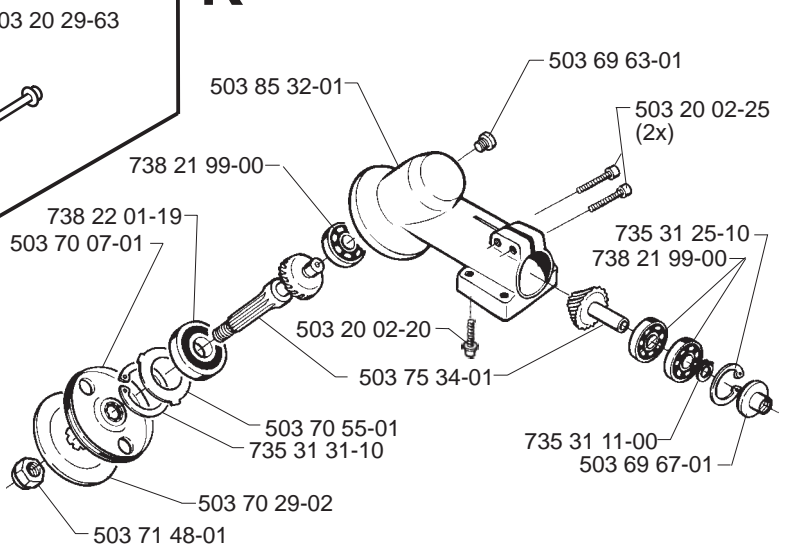
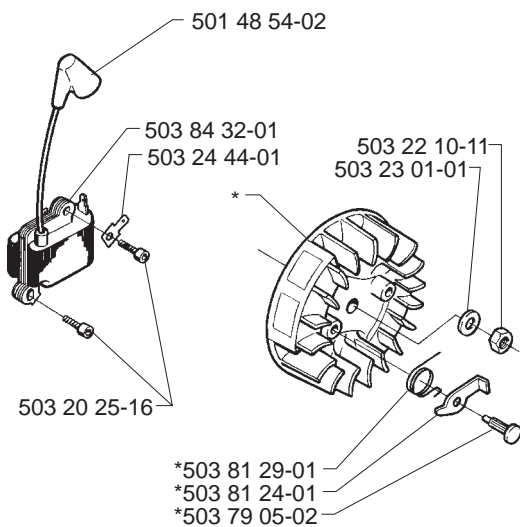
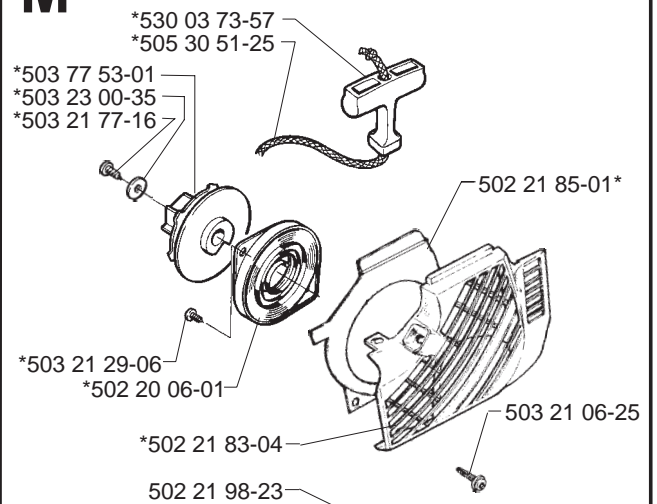
**Repuestos**

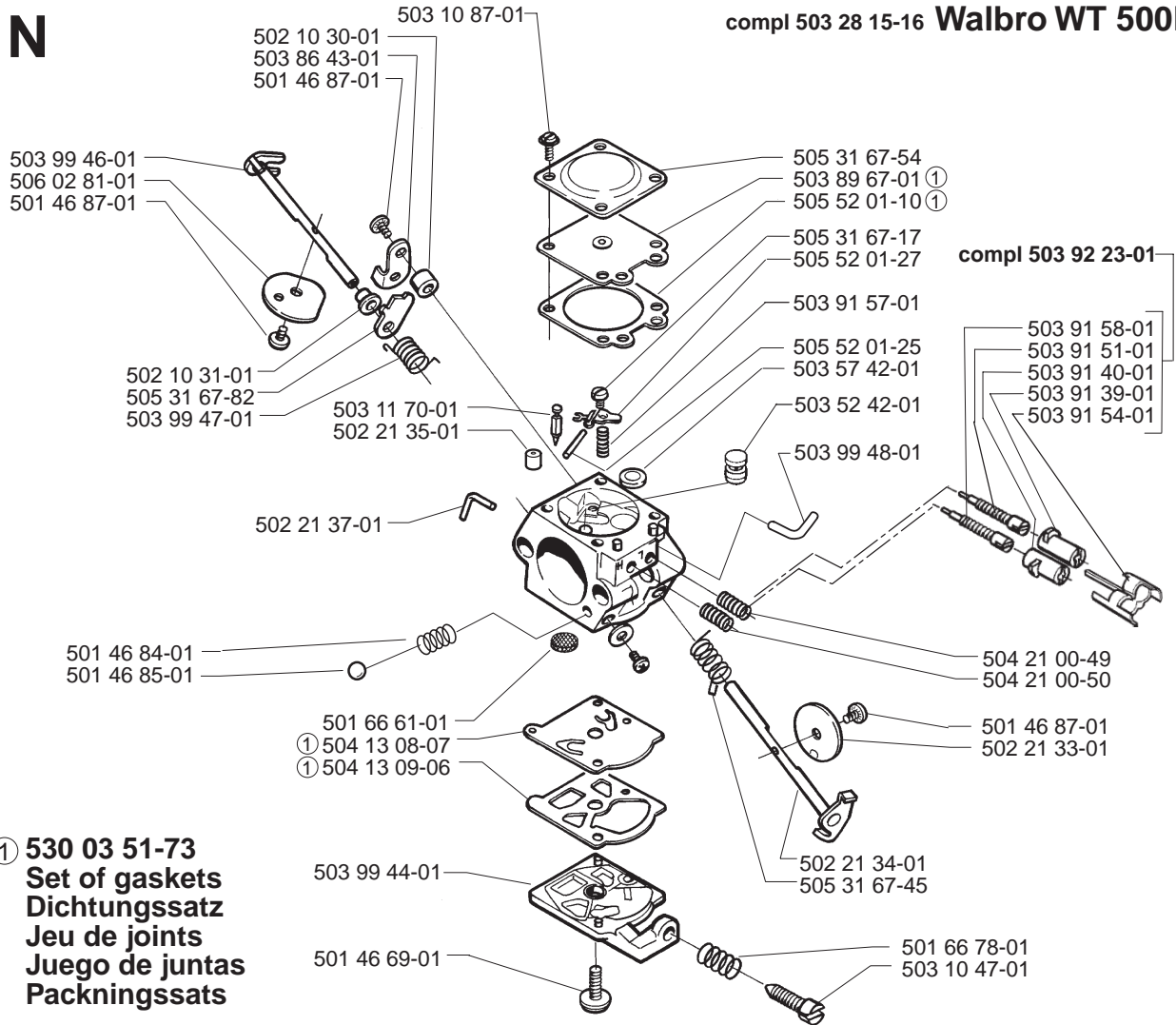
**Reservdelar**

106 26 08-61

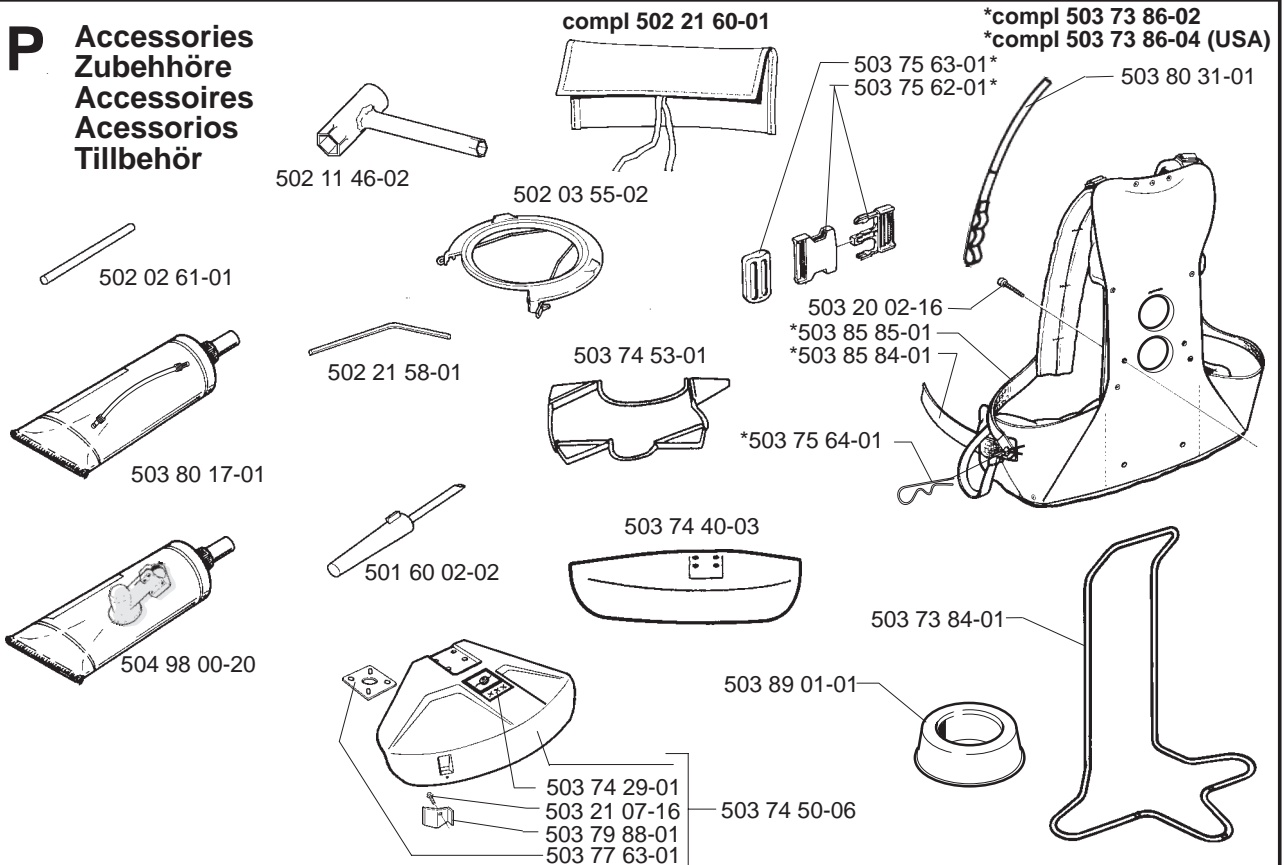
**A****\*compl 503 73 87-04****B**

**C****D****\*compl 503 69 46-01****E****F****\*compl 502 21 28-04****G**

**H****\*compl 503 92 22-04****J****\*compl 503 90 47-02****K****compl 502 21 92-04****L****\*compl 503 79 06-01****M****\*compl 502 21 95-01****Jonsered GR**

**N****compl 503 28 15-16 Walbro WT 500B****P**

**Accessories**  
**Zubehöre**  
**Accessoires**  
**Accesorios**  
**Tillbehör**



Part number	Square	Note	Part number	Square	Note	Part number	Square	Note	Part number	Square	Note
501 27 82-01	H		503 68 64-02	D		503 91 34-01	F				
501 46 69-01	N		503 69 46-01	D		503 91 39-01	N				
501 46 84-01	N		503 69 63-01	K		503 91 40-01	N				
501 46 85-01	N		503 69 67-01	K		503 91 51-01	N				
501 46 87-01	N		503 70 07-01	K		503 91 54-01	N				
501 48 54-02	L		503 70 29-02	K		503 91 57-01	N				
501 60 02-02	P		503 70 55-01	K		503 91 58-01	N				
501 66 61-01	N		503 70 80-01	B		503 92 22-04	H				
501 66 78-01	N		503 71 48-01	K		503 92 23-01	N				
501 76 83-24	H		503 71 54-01	B		503 93 66-01	G				
502 03 55-05	P		503 71 82-01	A		503 93 86-01	C				
502 10 30-01	N		503 72 14-04	A		503 97 37-08	C				
502 10 31-01	N		503 72 15-02	A		503 99 44-01	N				
502 11 46-02	P		503 72 29-02	B		503 99 46-01	N				
502 18 94-02	E		503 72 77-01	B		503 99 47-01	N				
502 19 71-01	B		503 73 58-01	H		503 99 48-01	N				
502 19 84-01	G		503 73 84-01	P		504 13 08-07	N				
502 19 86-02	G		503 73 85-02	B		504 13 09-06	N				
502 20 06-01	M		503 73 86-02	P		504 21 00-49	N				
502 20 65-01	G		503 73 86-04	P		504 21 00-50	N				
502 20 83-02	G		503 73 87-04	A		504 98 00-20	P				
502 20 84-01	G		503 73 88-01	H		505 30 51-25	M				
502 20 88-01	D		503 73 94-01	H		505 31 67-17	N				
502 21 23-01	G		503 73 98-01	H		505 31 67-45	N				
502 21 28-04	F		503 73 99-01	H		505 31 67-54	N				
502 21 33-01	N		503 74 00-01	E		505 31 67-82	N				
502 21 34-01	N		503 74 29-01	P		505 52 01-10	N				
502 21 35-01	N		503 74 32-02	A		505 52 01-25	N				
502 21 37-01	N		503 74 33-02	A		505 52 01-27	N				
502 21 57-01	E		503 74 34-01	A		506 02 81-01	N				
502 21 58-01	P		503 74 40-03	P		530 03 51-73	N				
502 21 60-01	P		503 74 50-06	P		530 03 73-57	M				
502 21 83-04	M		503 74 53-01	P		537 02 48-01	G				
502 21 85-01	M		503 75 34-01	K		537 02 87-01	C				
502 21 92-04	K		503 75 62-01	P		537 02 88-01	G				
502 21 93-01	B		503 75 63-01	P		537 04 24-02	G				
502 21 95-01	M		503 75 64-01	P		537 04 24-03	GH				
502 21 98-23	M		503 75 65-01	E		537 05 27-02	GN				
502 28 59-01	P		503 75 76-01	H		725 23 79-51	B				
503 10 47-01	N		503 76 19-02	B		725 23 84-85	B				
503 10 87-01	N		503 76 47-01	B		725 53 29-55	A				
503 11 70-01	N		503 76 68-02	B		725 53 87-55	H				
503 16 13-02	E		503 77 53-01	M		725 54 55-55	H				
503 20 02-10	B		503 77 63-01	P		731 23 14-01	G				
503 20 02-12	H		503 77 99-01	B		731 23 14-05	A				
503 20 02-16	P		503 78 02-04	B		731 71 14-51	G				
503 20 02-20	EK		503 78 57-01	B		735 31 11-00	K				
503 20 02-25	BK		503 79 05-02	L		735 31 25-10	K				
503 20 25-16	L		503 79 06-01	L		735 31 31-10	K				
503 20 29-63	J		503 79 09-01	B		737 44 10-00	D				
503 21 06-25	EM		503 79 41-01	A		738 21 01-04	H				
503 21 07-16	P		503 79 88-01	P		738 21 98-04	B				
503 21 07-22	A		503 80 31-01	P		738 21 99-00	K				
503 21 28-10	B		503 81 24-01	L		738 22 01-19	K				
503 21 29-06	M		503 81 29-01	L		738 22 01-25	F				
503 21 47-27	C		503 82 01-02	A							
503 21 77-16	M		503 82 80-04	H							
503 22 10-11	L		503 84 32-01	L							
503 22 23-02	H		503 85 32-01	K							
503 22 72-01	H		503 85 84-01	P							
503 23 00-35	M		503 85 85-01	P							
503 23 01-01	EHL		503 86 43-01	N							
503 23 51-08	D		503 88 96-02	B							
503 24 44-01	L		503 89 01-01	P							
503 28 90-01	D		503 89 67-01	N							
503 41 41-01	DF		503 90 46-02	J							
503 44 32-01	H		503 90 47-02	J							
503 52 12-04	E		503 90 67-01	F							
503 52 42-01	N		503 91 07-01	F							
503 57 42-01	N		503 91 25-01	J							